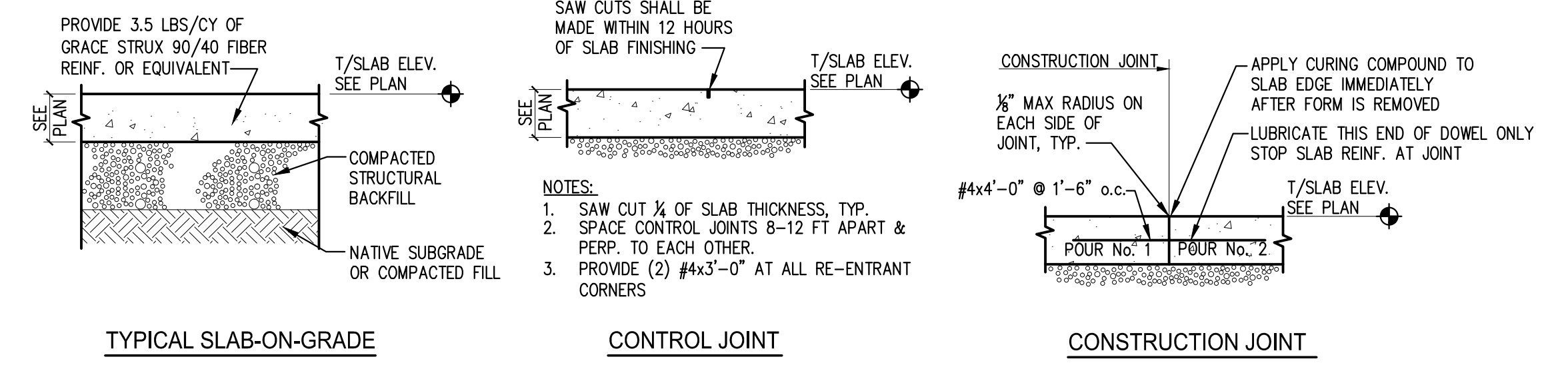


No.	ISSUED DESCRIPTION	DR.		DATE	
		CHKD.	BY	TD	TD
A	ISSUE FOR PERMIT - NOT FOR CONSTRUCTION				2-11-16

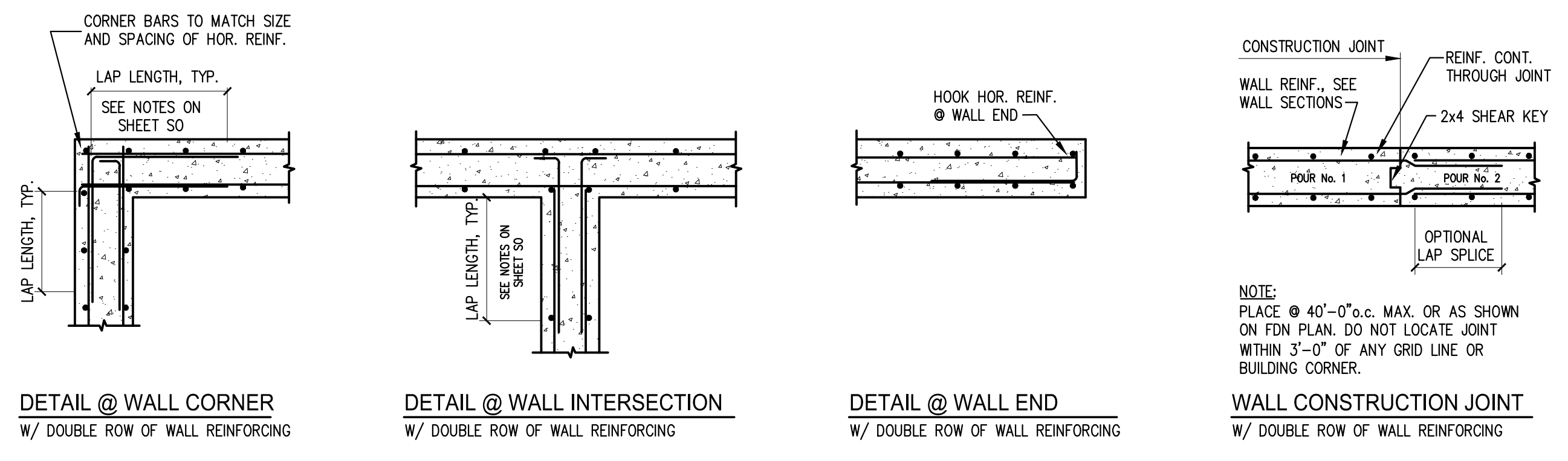
SHEET TITLE:  
**FOUNDATION DETAILS**

DESIGNED: TD  
DRAWN: TD  
DATE: 11-13-14  
PROJECT NUMBER: 14-135



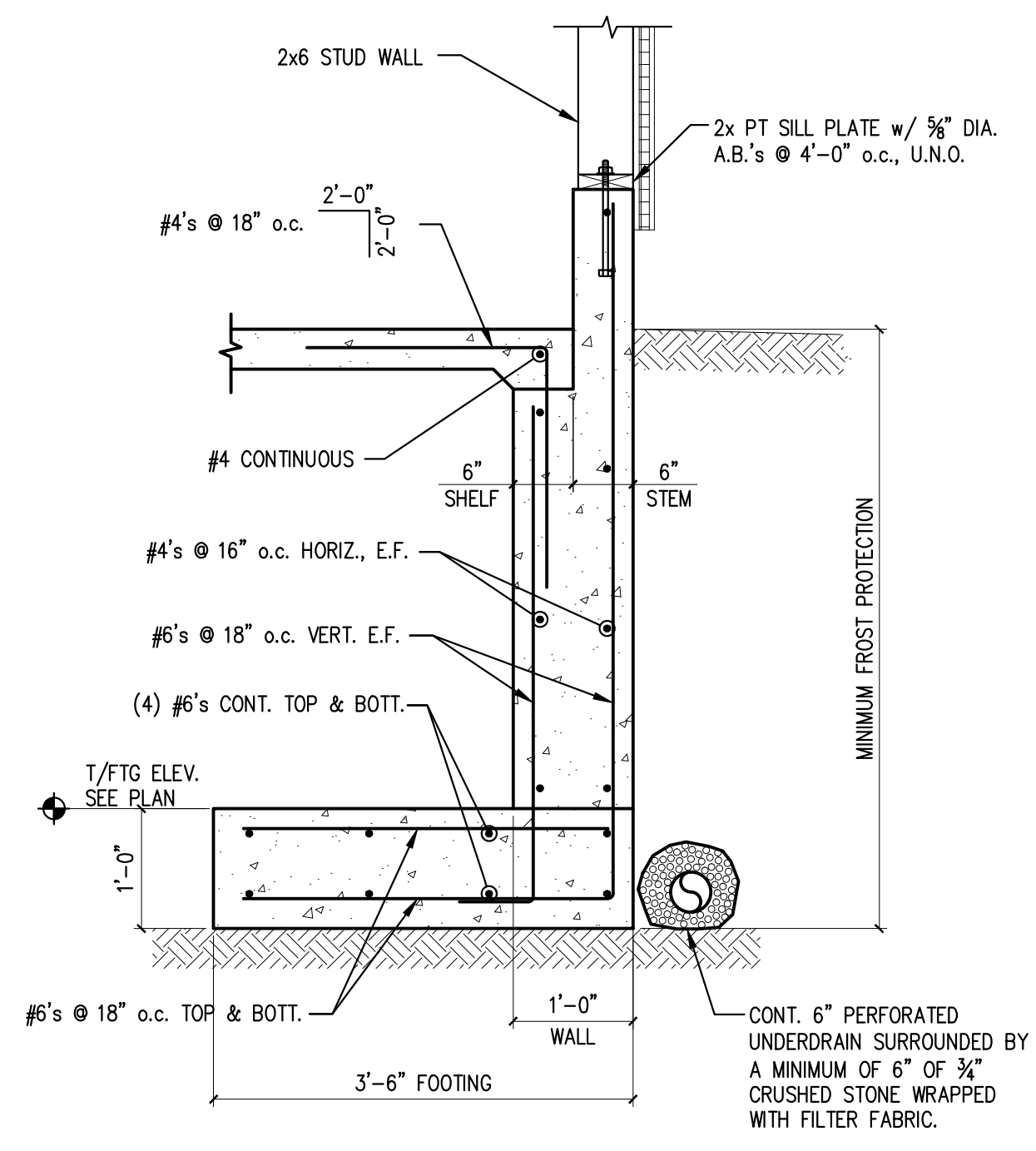
**TYPICAL SLAB-ON-GRADE DETAILS**

SCALE: NTS 1



**TYPICAL FOUNDATION WALL DETAILS - 2 LAYERS REINFORCEMENT**

SCALE: NTS 2

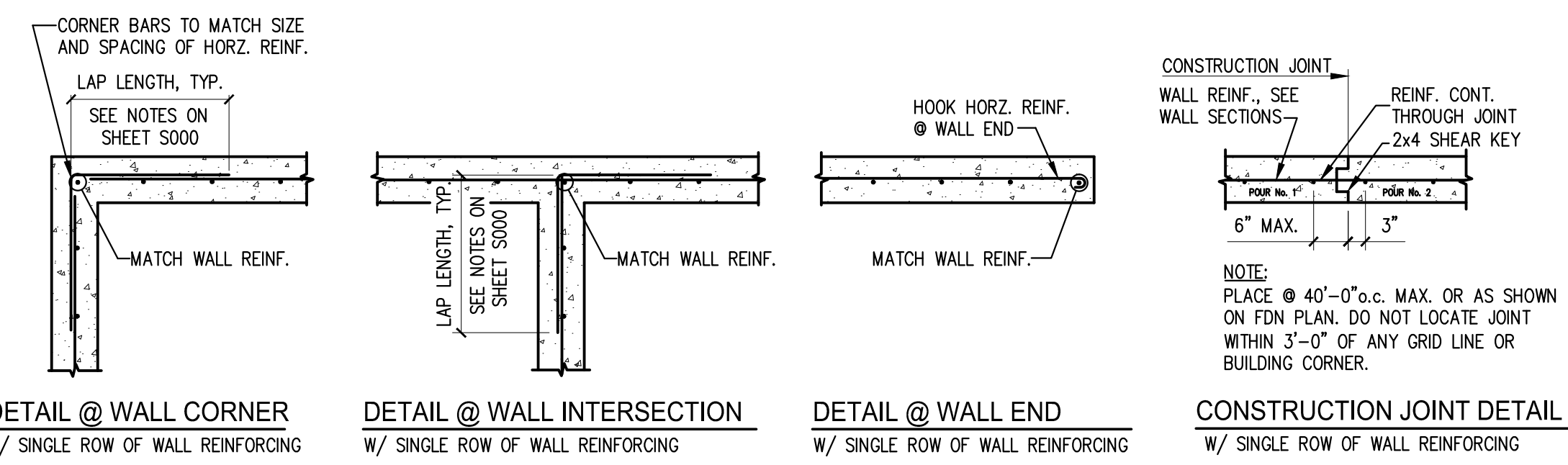


**TYPICAL FOUNDATION WALL SECTION**

SCALE: 3/4"=1'-0" 6

**SECTION**

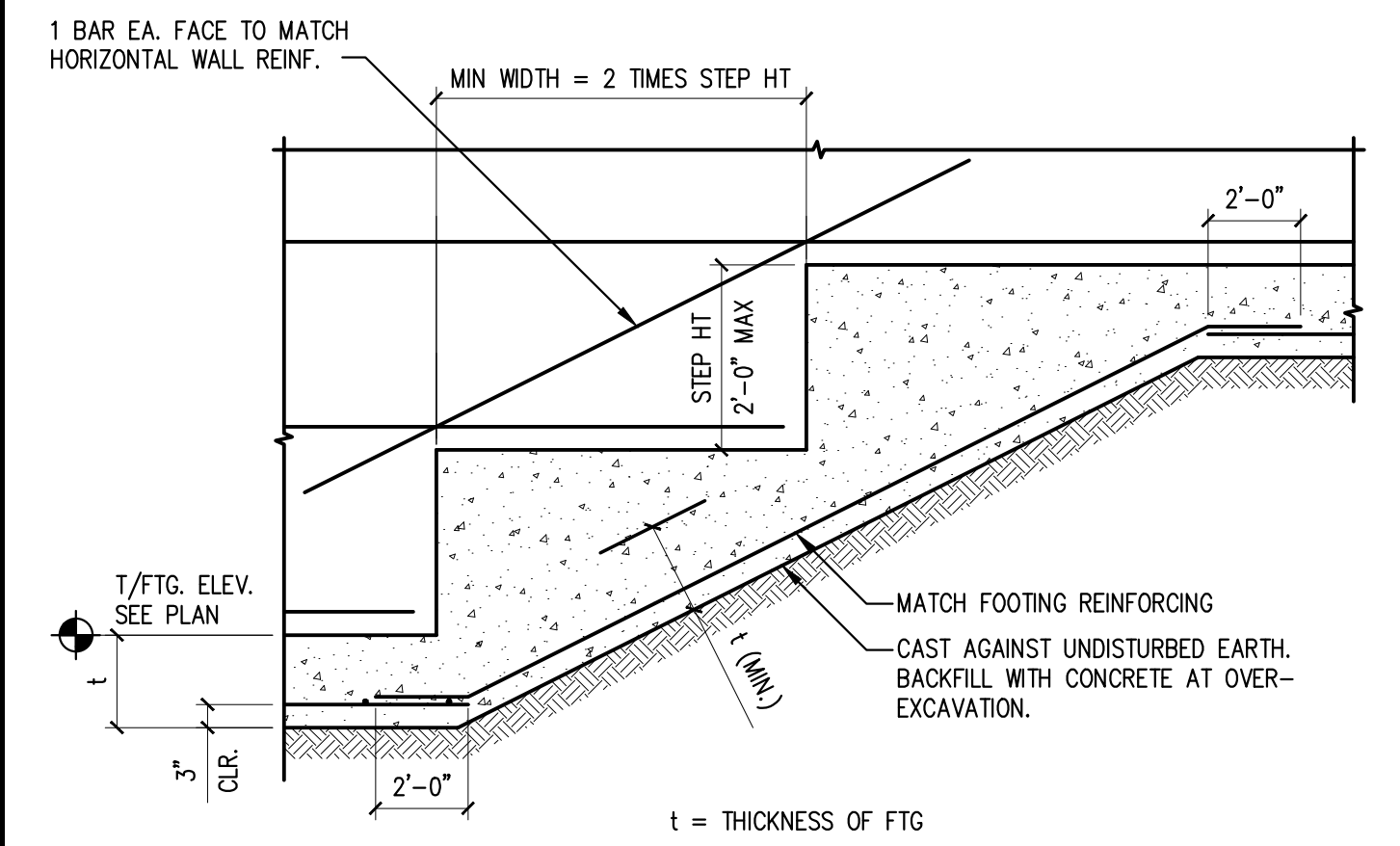
SCALE: 3/4"=1'-0" -



**TYPICAL FOUNDATION WALL DETAILS - 1 LAYER REINFORCEMENT**

SCALE: NTS 3

BAR SIZE	4500 PSI CONCRETE	3000 PSI CONCRETE
#3	16"	18"
#4	20"	24"
#5	24"	30"
#6	30"	36"
#7	40"	48"
#8	48"	56"
#9	54"	64"



**REBAR LAP SPLICE TABLE**

SCALE: NTS 4

**TYPICAL STEPPED FOOTING DETAIL**

SCALE: NTS 5

**SECTION**

SCALE: 3/4"=1'-0" -

**SECTION**

SCALE: 3/4"=1'-0" -

PRINTED: Feb 11, 2016