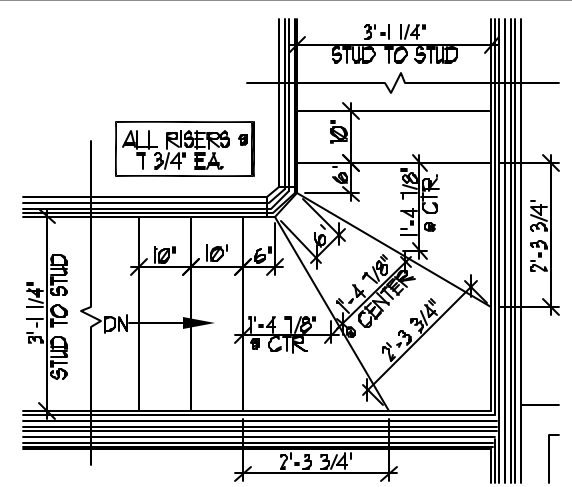
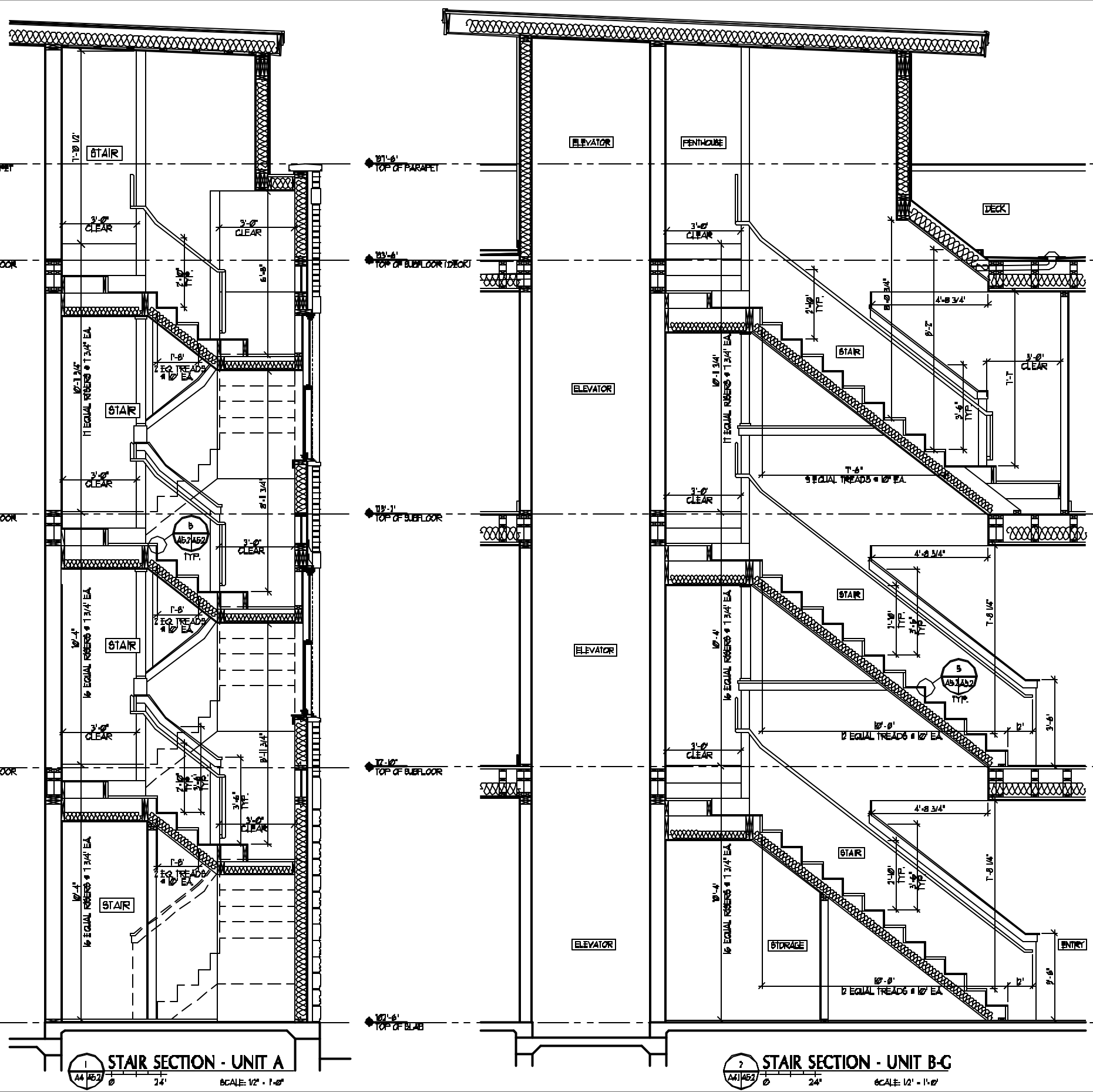
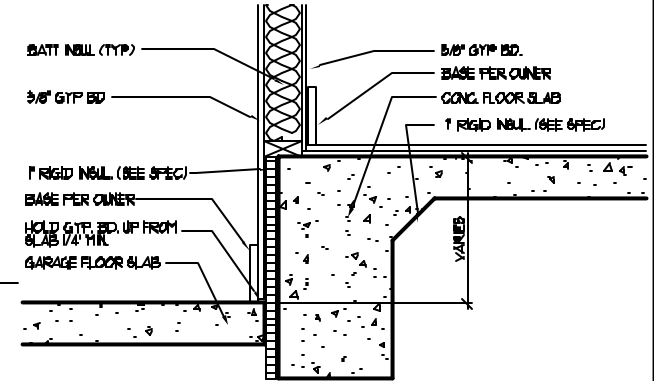


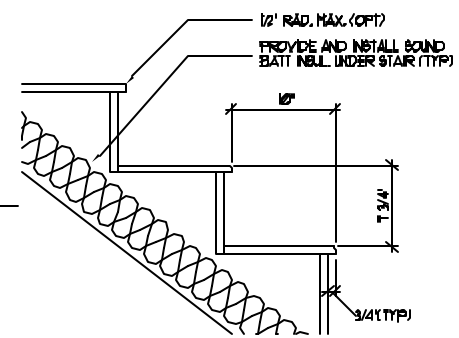
IF THIS SHEET IS NOT 24 X 36 IT IS A REDUCED SCALE PRINT - SCALE ACCORDINGLY



3 WINDER STAIR DETAIL - TYP.  
SCALE: 3/4" = 1'-0"



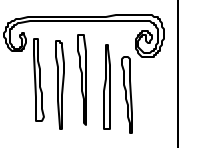
4 FOUNDATION @ GARAGE  
SCALE: 1/2" = 1'-0"



5 STAIR NOSING DETAIL  
SCALE: 1/2" = 1'-0"

1 STAIR SECTION - UNIT A  
SCALE: 1/2" = 1'-0"

2 STAIR SECTION - UNIT B-C  
SCALE: 1/2" = 1'-0"



**PORT CITY ARCHITECTURE**  
85 NEWBURY STREET  
PORTLAND, ME 04101  
207.781.9000  
fax 207.781.2010  
info@portcityarch.com

CONSULTANTS:

**44 FEDERAL STREET CONDOMINIUMS**  
44 FEDERAL STREET  
Portland, Maine 04101

3	6-15-26	CONSTRUCTION SET
2	1-11-26	PERMIT SET
1	6-9-26	REVIEW SET

DATE	DESCRIPTION
	REVISIONS

Drawn by: Date: Year:   
Project Number: 0426   
Drawing Scale:

SHEET NAME: **STAIR SECTIONS**

Drawn By: MC   
Checked By: A5.2   
ACB

**CONSTRUCTION SET - FOR CONSTRUCTION**

COPYRIGHT: Reuse or reproduction of the contents of this document is not permitted without written permission of PORT CITY ARCHITECTURE, P.A.