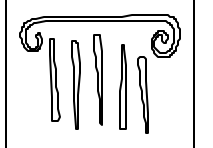
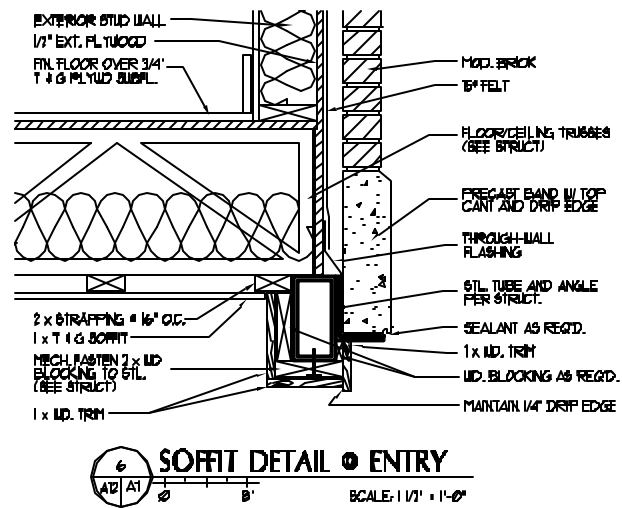
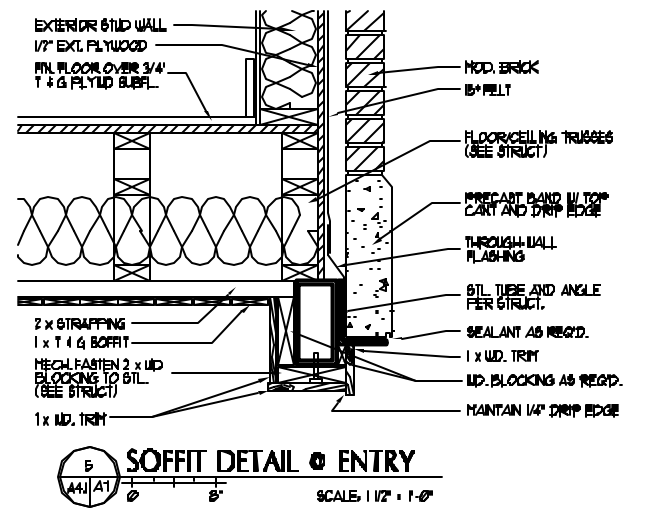
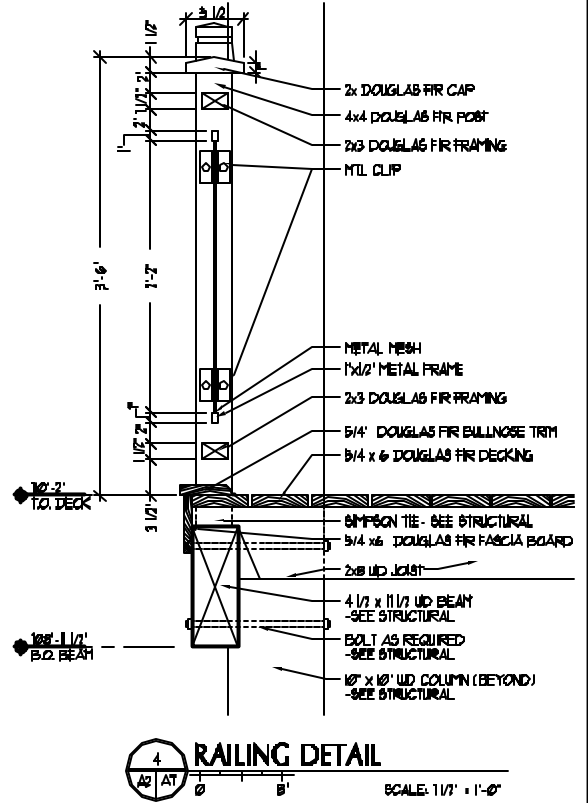
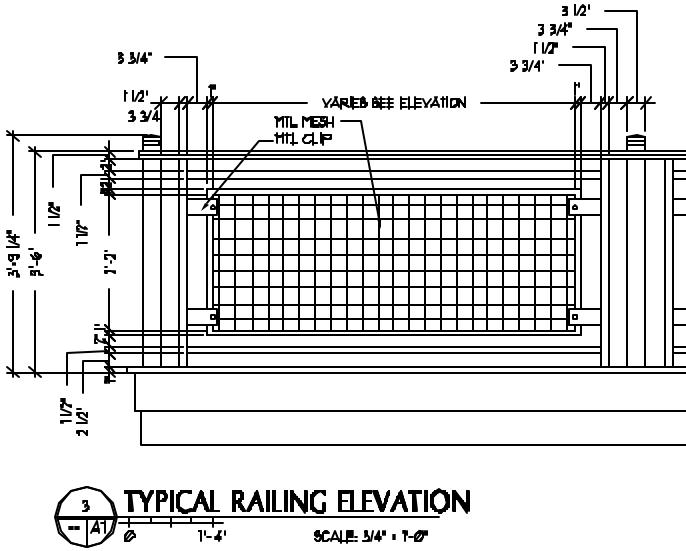
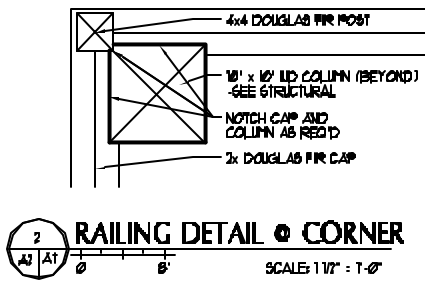
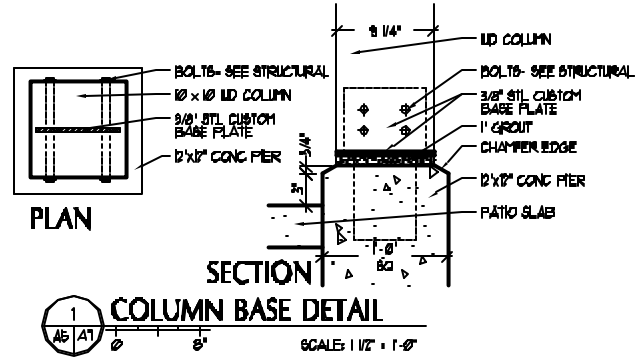


IF THIS SHEET IS NOT 24 X 36 IT IS A REDUCED SCALE PRINT - SCALE ACCORDINGLY



PORT CITY ARCHITECTURE

85 NEWBURY STREET
PORTLAND, ME 04101
207.781.9000
fax 207.781.2010
info@portcityarch.com

CONSULTANTS:

44 FEDERAL STREET CONDOMINIUMS

44 FEDERAL STREET
Portland, Maine 04101

3	8-15-06	CONSTRUCTION SET
2	7-11-06	PERMIT SET
1	6-9-06	REVIEW SET

4 DATE DESCRIPTION REVISIONS

Date Issued Date Year

Project Number 0406

Drawing Scale

HEET NAME
EXTERIOR DETAILS

Drawn By
MC
Checked By
ACH

A7

CONSTRUCTION SET - FOR CONSTRUCTION

COPYRIGHT: Reuse or reproduction of the contents of this document is not permitted without written permission of PORT CITY ARCHITECTURE, PA.