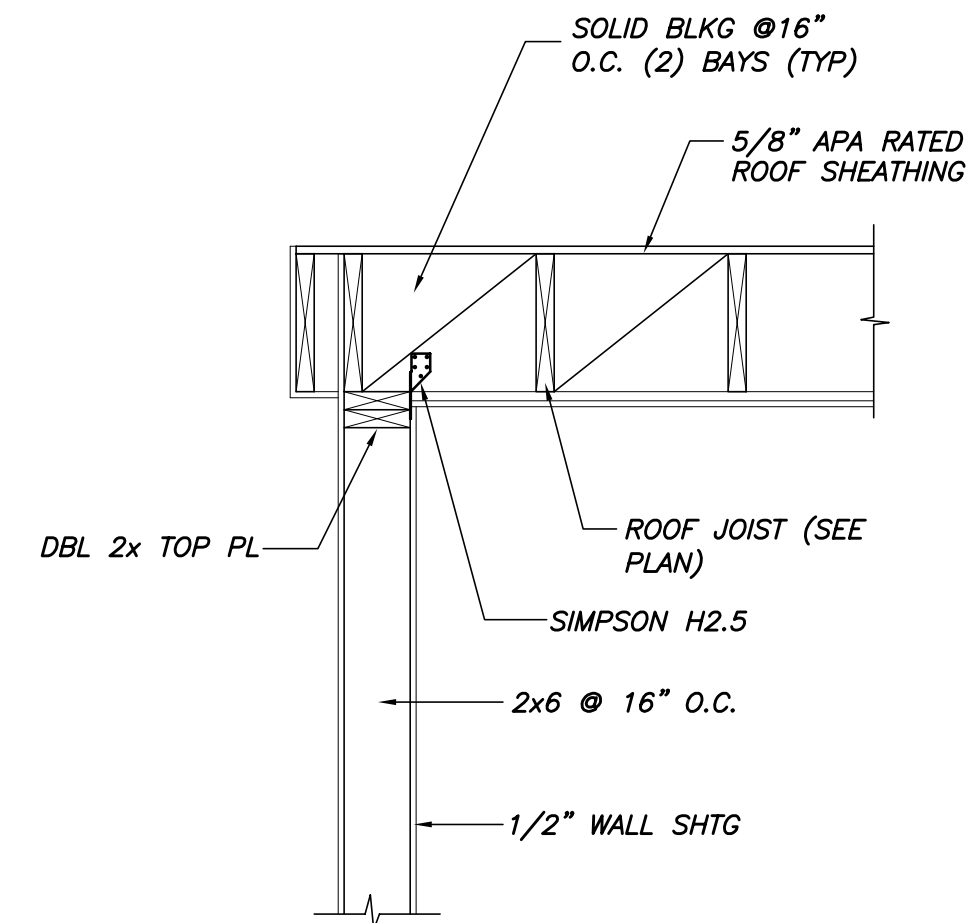
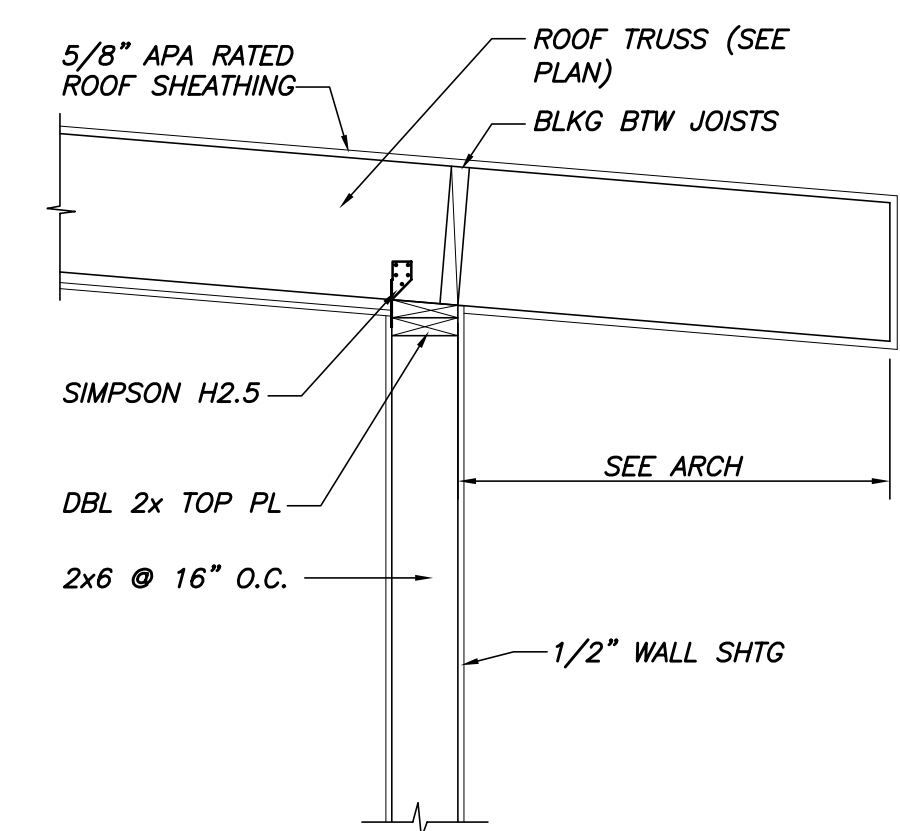


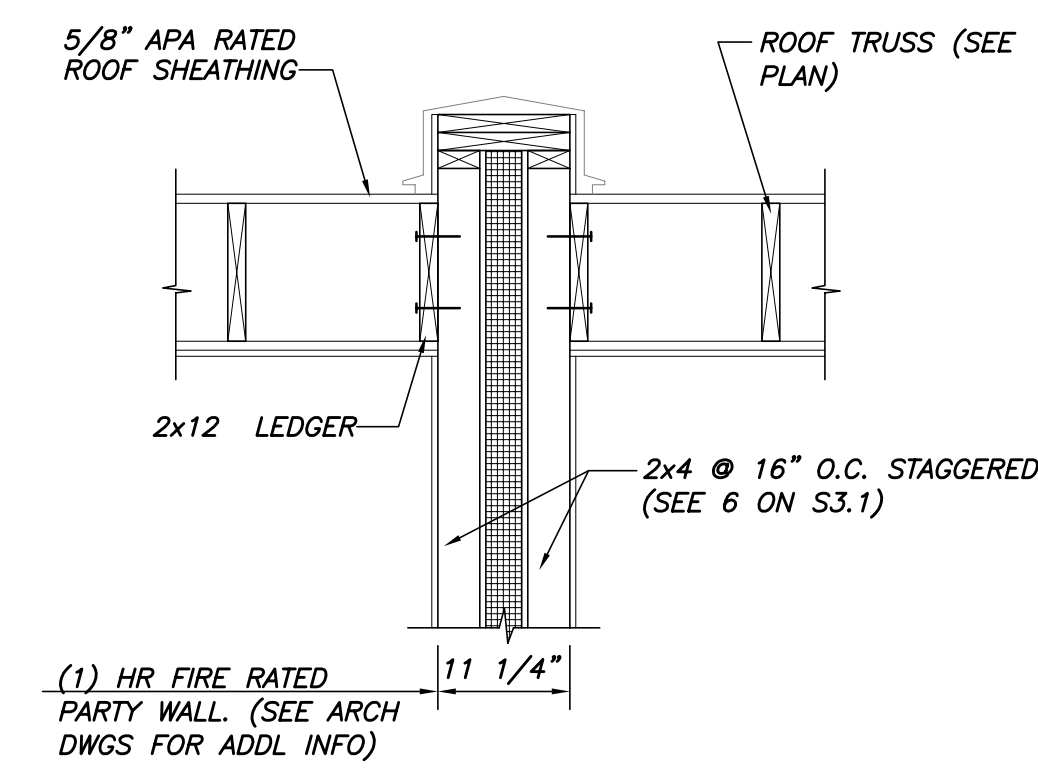
SECTION 1  
3/4"=1'-0" S1.5



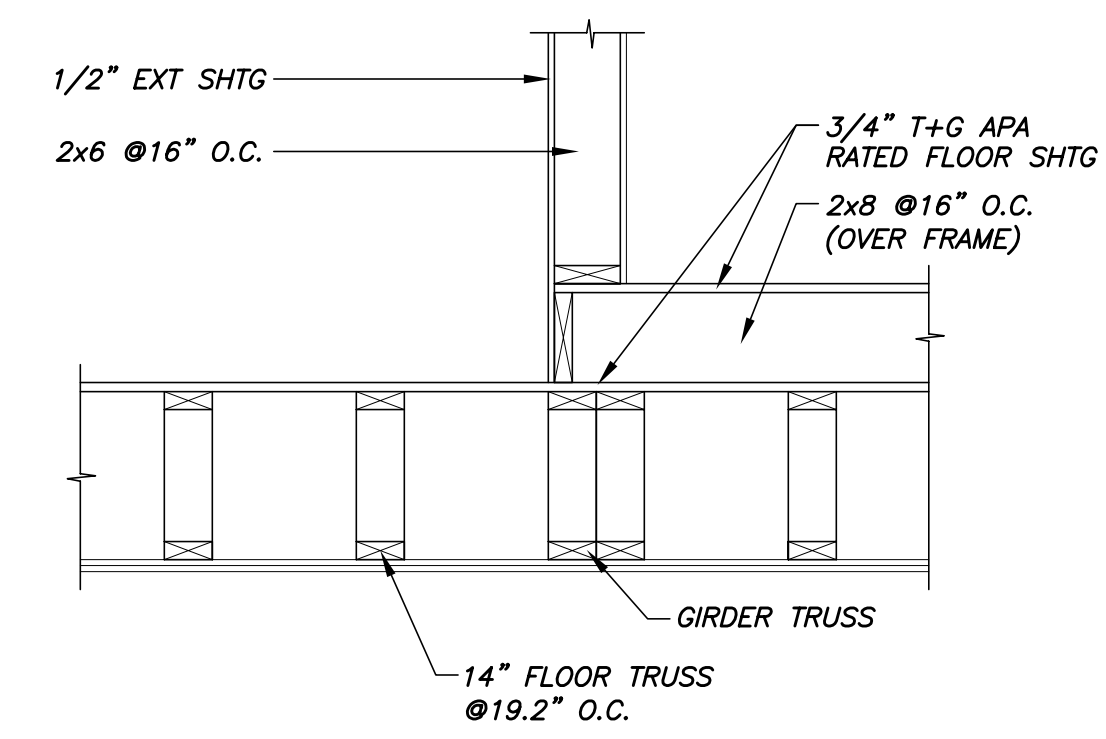
SECTION 2  
3/4"=1'-0" S1.5



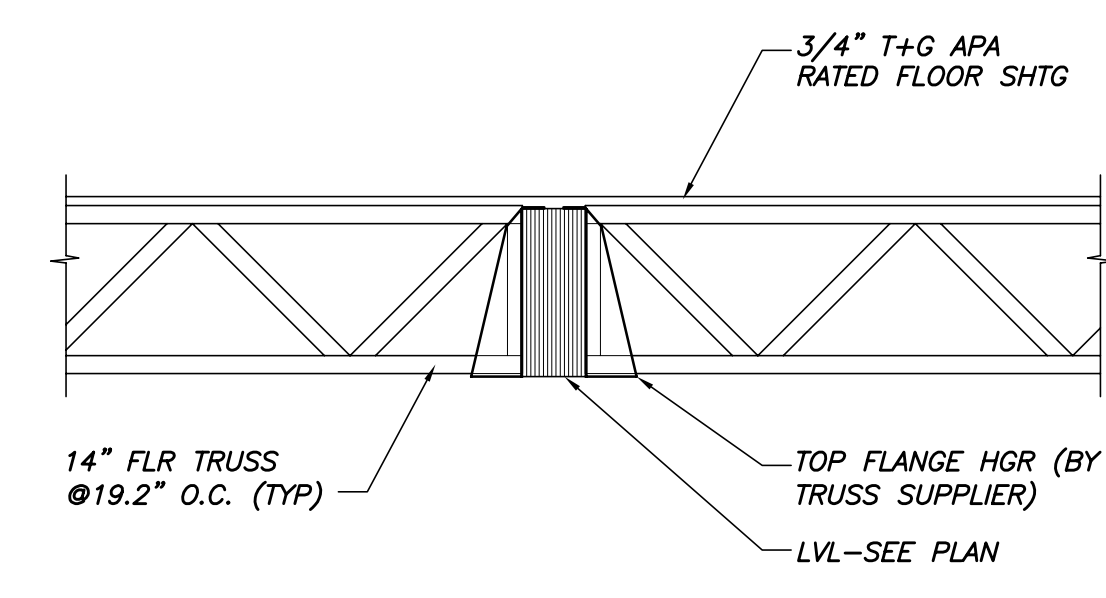
SECTION 3  
3/4"=1'-0" S1.5



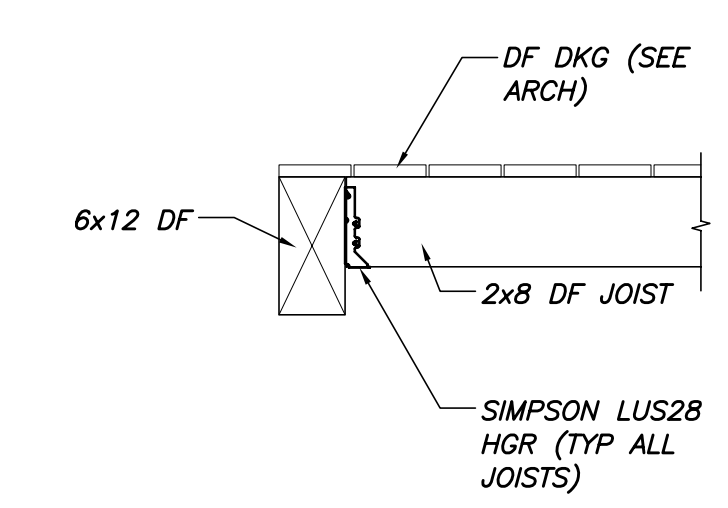
SECTION 4  
3/4"=1'-0" S1.5



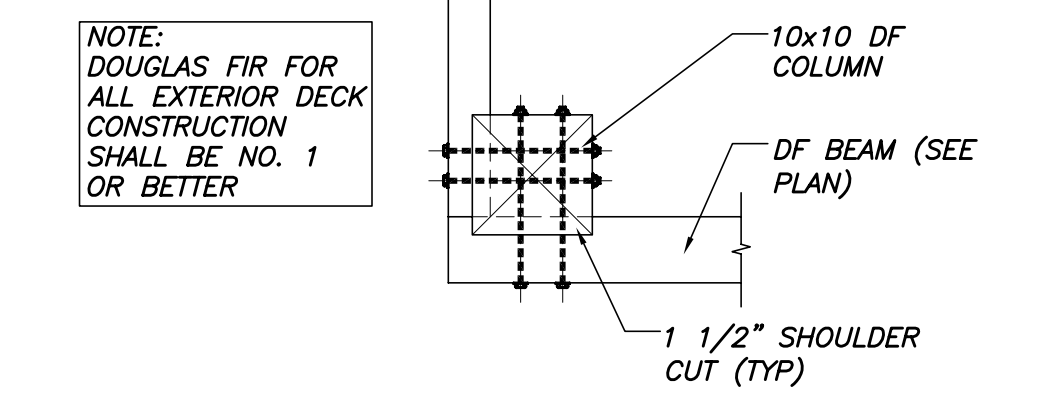
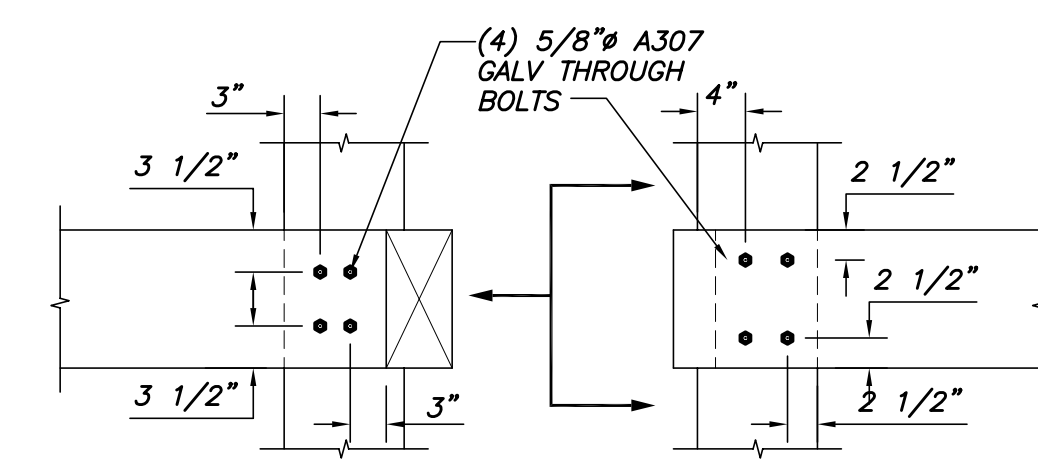
SECTION 5  
3/4"=1'-0" S1.4



SECTION 6  
3/4"=1'-0" S1.4

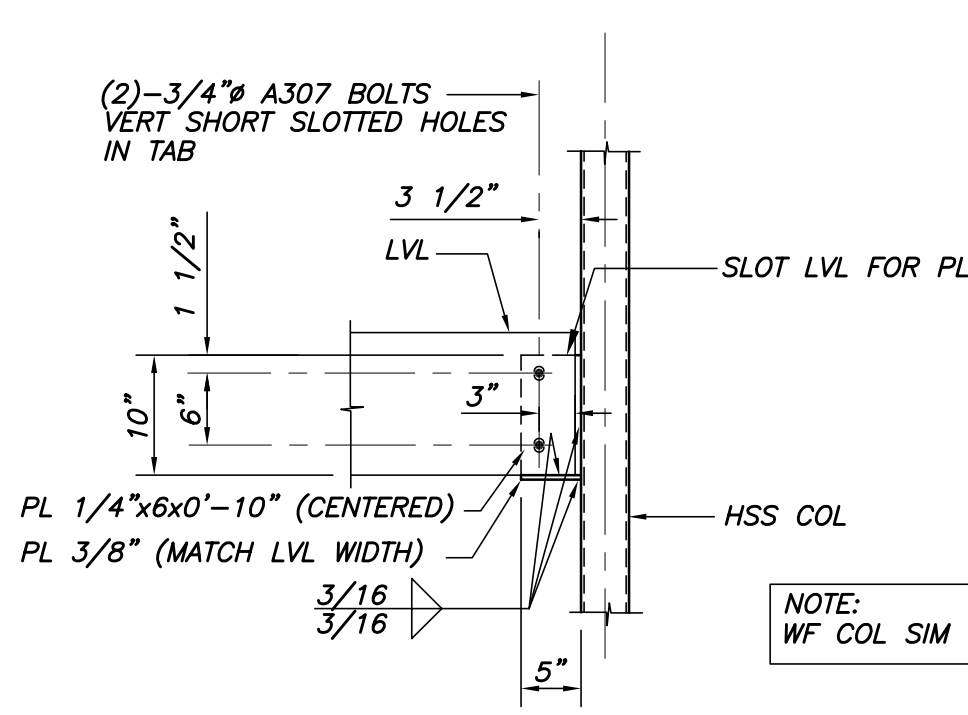


SECTION 7  
3/4"=1'-0" S1.4



NOTE: DOUGLAS FIR FOR ALL EXTERIOR DECK CONSTRUCTION SHALL BE NO. 1 OR BETTER

SECTION 8  
3/4"=1'-0" S1.4



TYP LVL TO STL COL CONN  
3/4"=1'-0"

THIS DRAWING IS AN INSTRUMENT OF SERVICE AND SHALL REMAIN THE PROPERTY OF BECKER STRUCTURAL ENGINEERS INC. IT SHALL NOT BE REPRODUCED, COPIED, LENT OR DISPOSED OF DIRECTLY OR INDIRECTLY NOR USED FOR ANY PURPOSE OTHER THAN FOR WHICH IT IS SPECIFICALLY FURNISHED AND MUST BE RETURNED TO BECKER STRUCTURAL ENGINEERS INC. ON COMPLETION OF WORK, IF REQUESTED.

Approved	
Issued For	ISSUED FOR CONSTRUCTION
Date	09/14/05
Rev. No	

FEDERAL ST TOWNHOMES  
44 Federal Street  
Portland, Me.

Designed	AMW	Scale	NOTED
Drawn	APP	Date	09/14/2005
Checked	PBB	Becker Job Number	1330