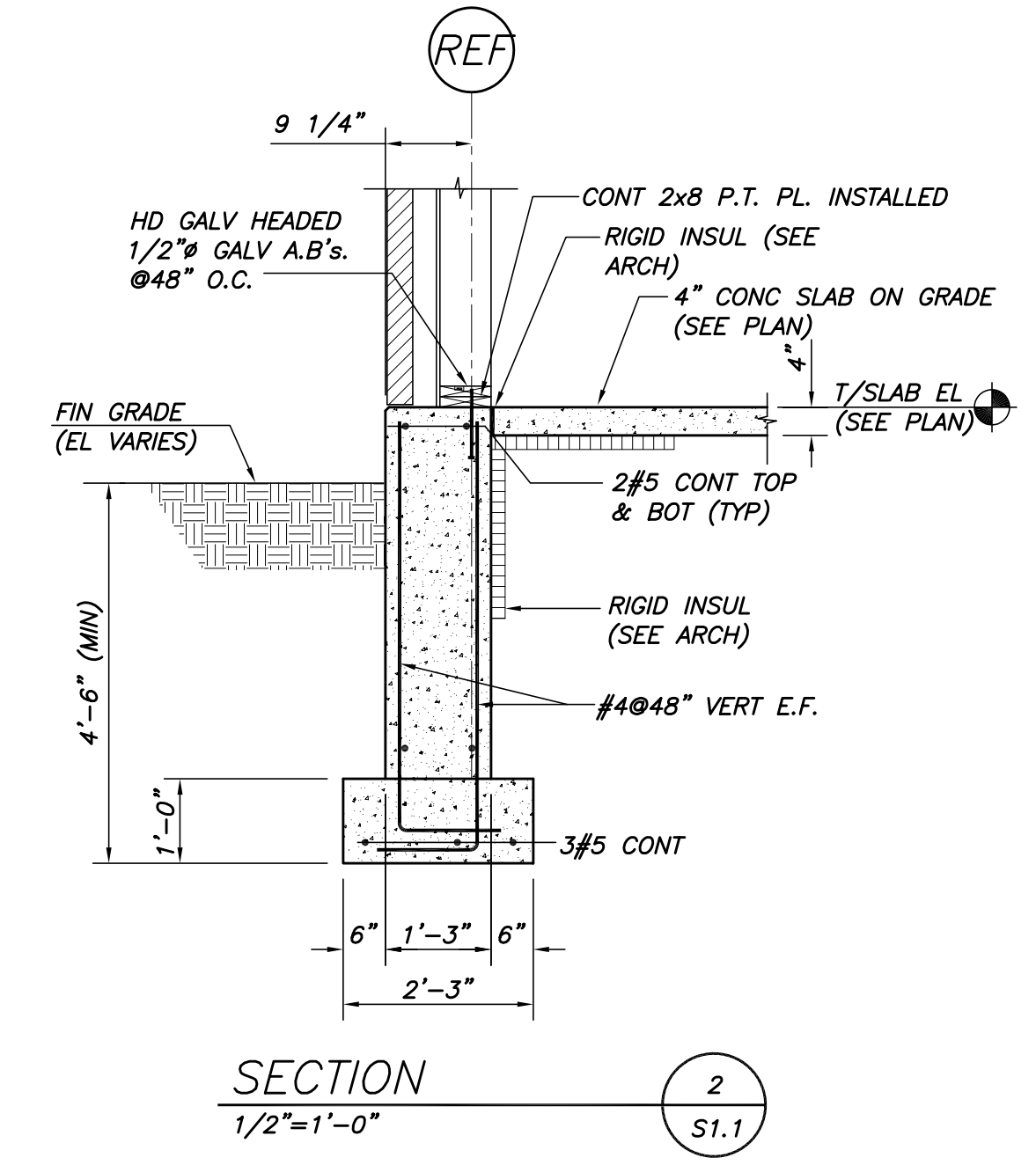
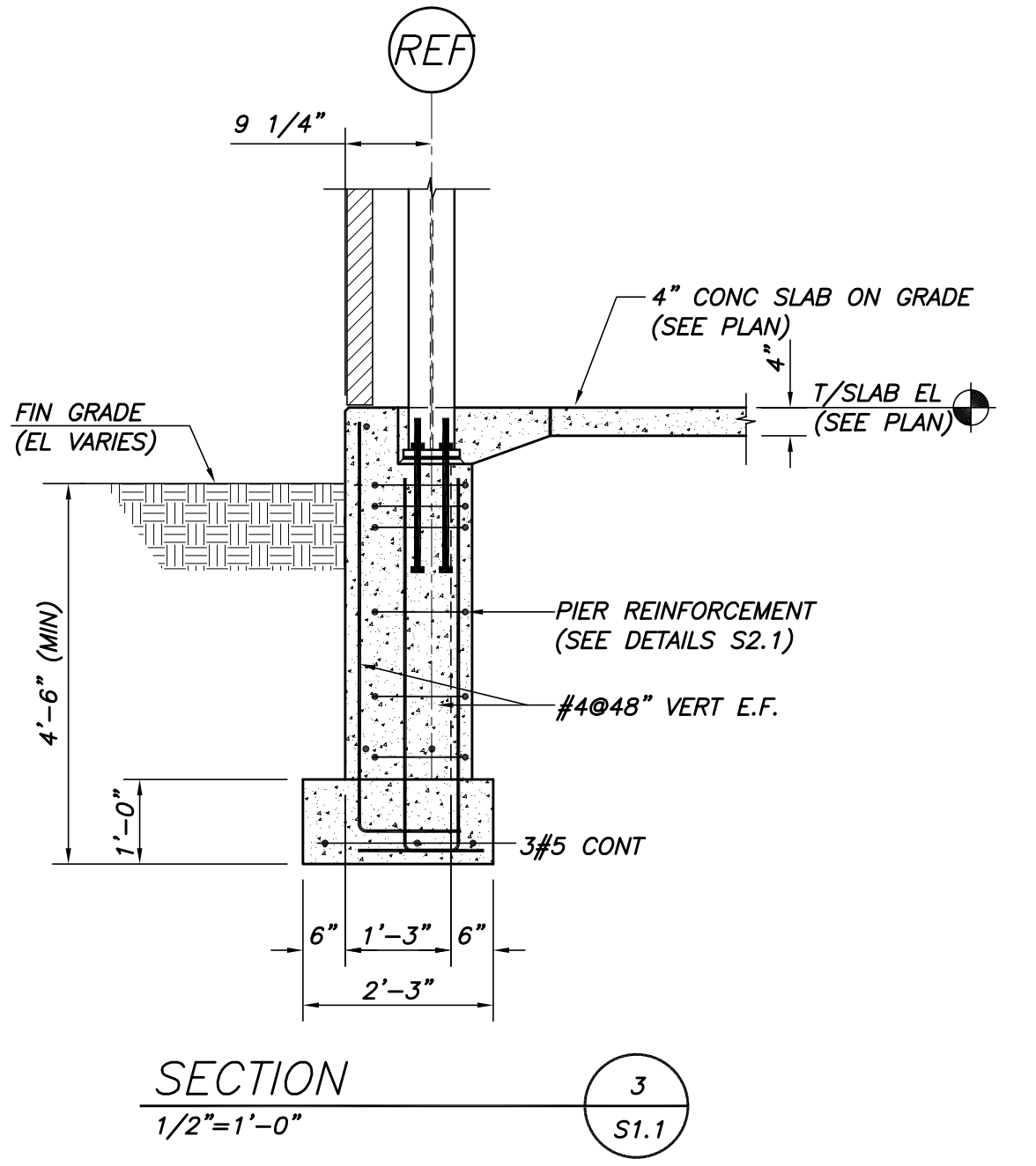


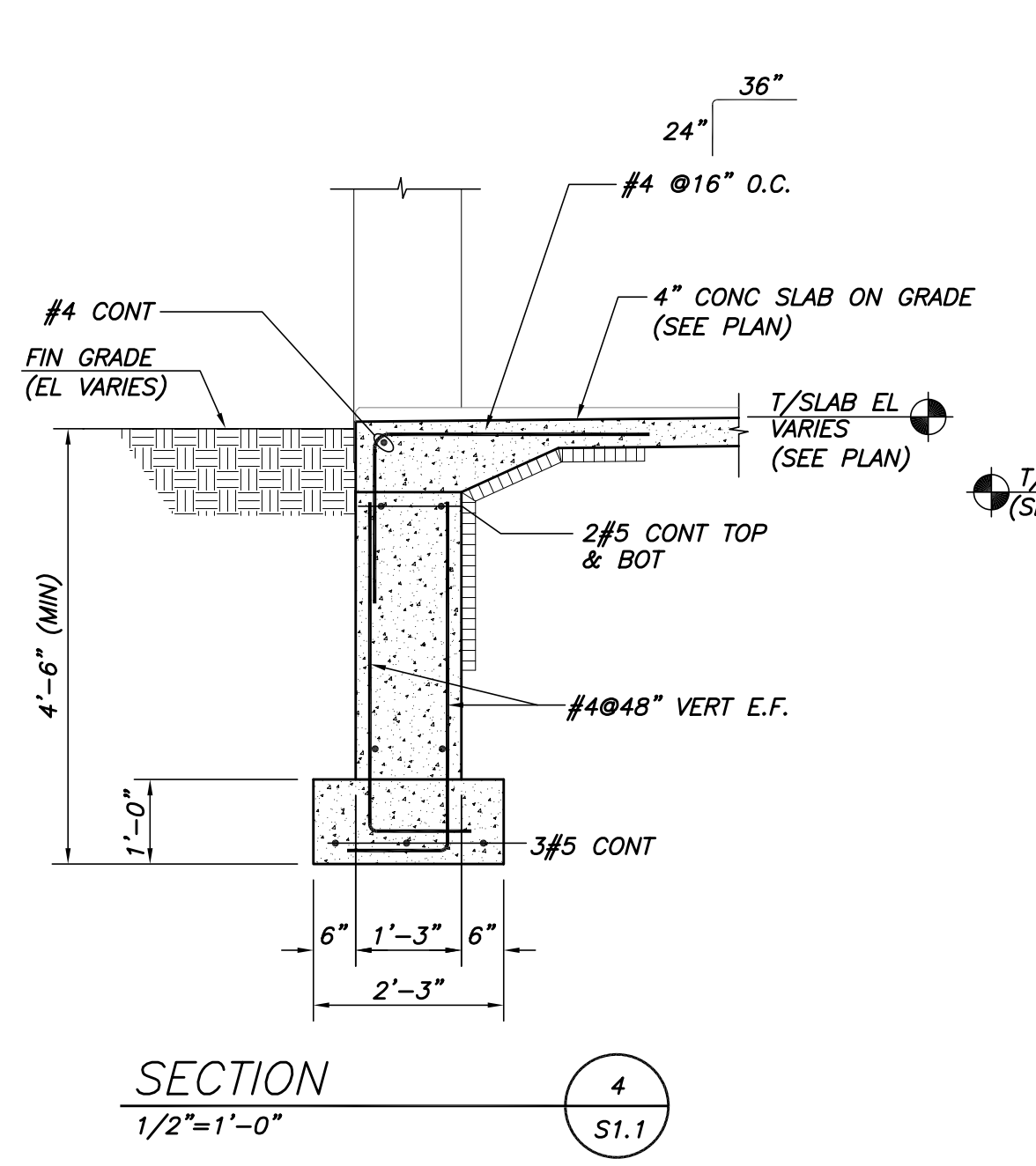
SECTION 1
1/2"=1'-0" S1.1



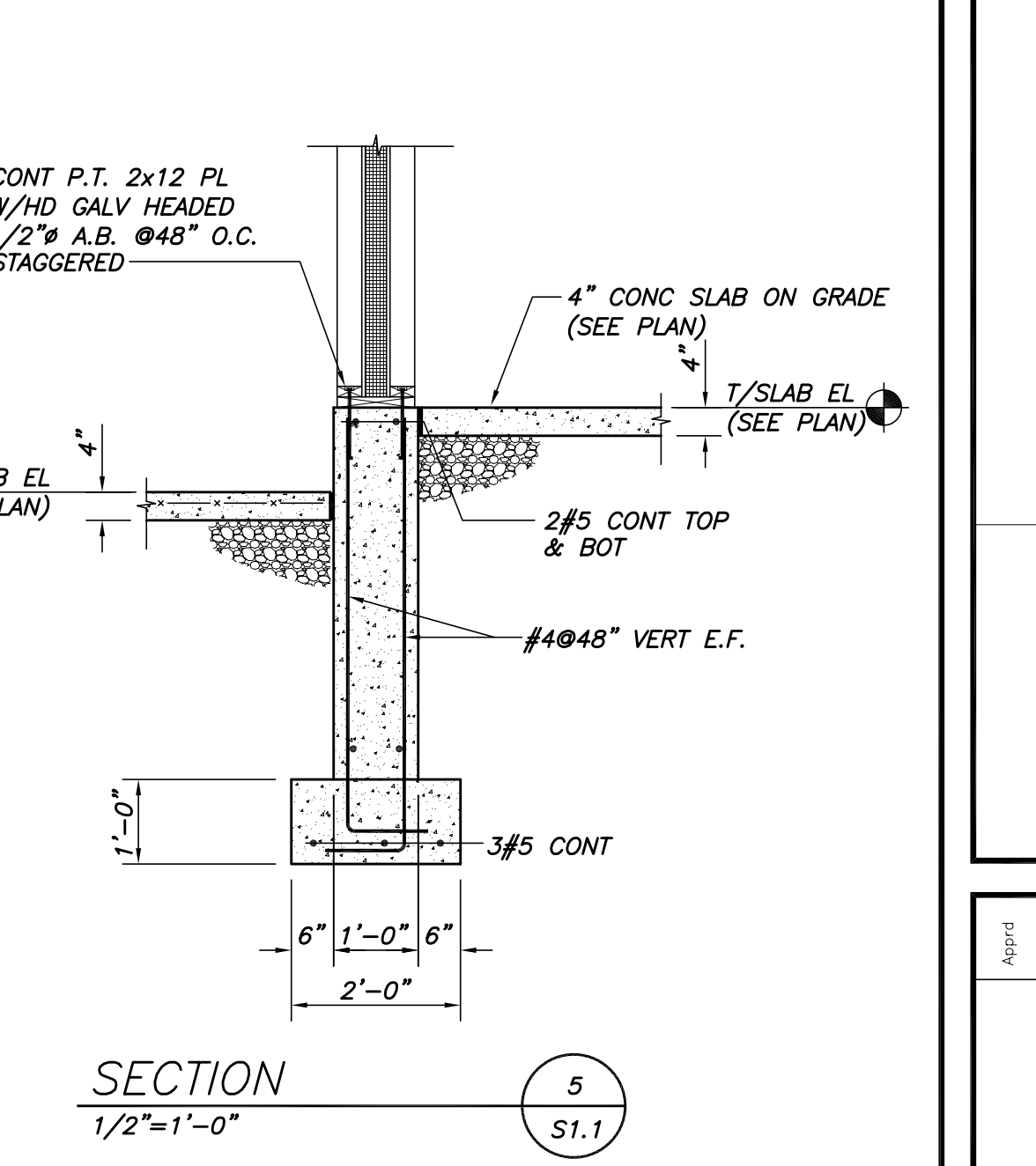
SECTION 2
1/2"=1'-0" S1.1



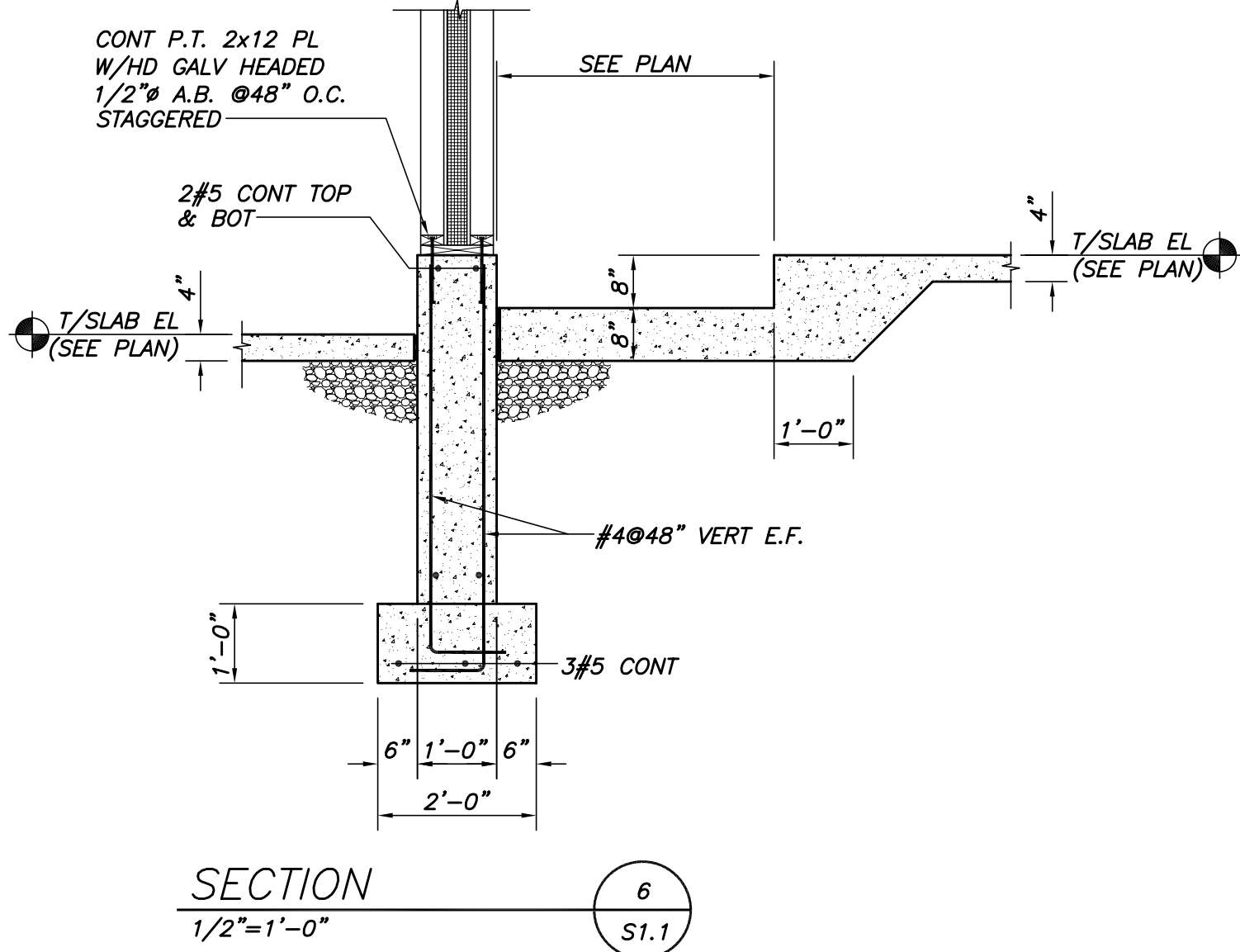
SECTION 3
1/2"=1'-0" S1.1



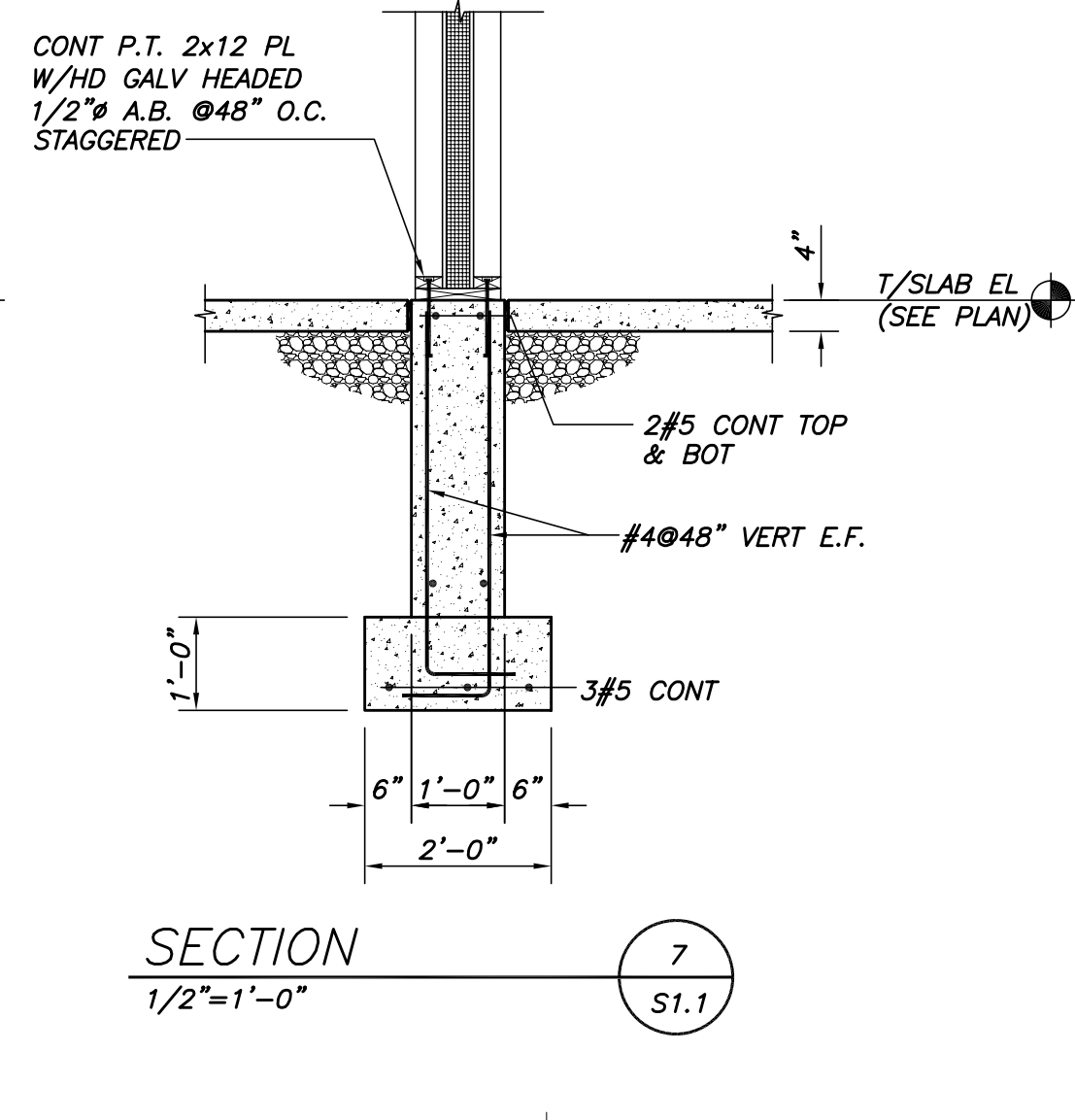
SECTION 4
1/2"=1'-0" S1.1



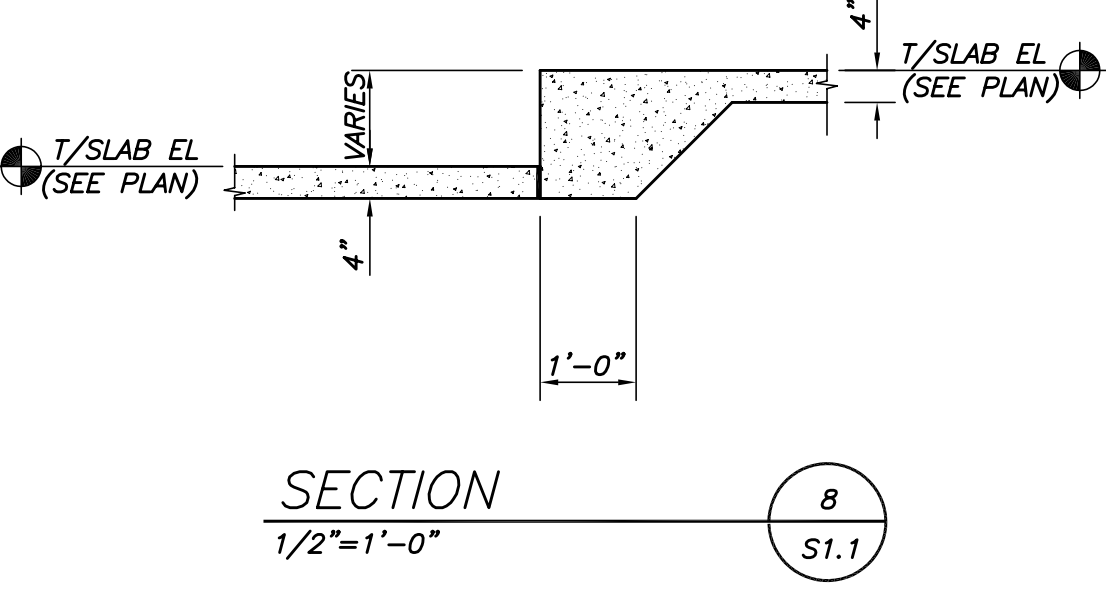
SECTION 5
1/2"=1'-0" S1.1



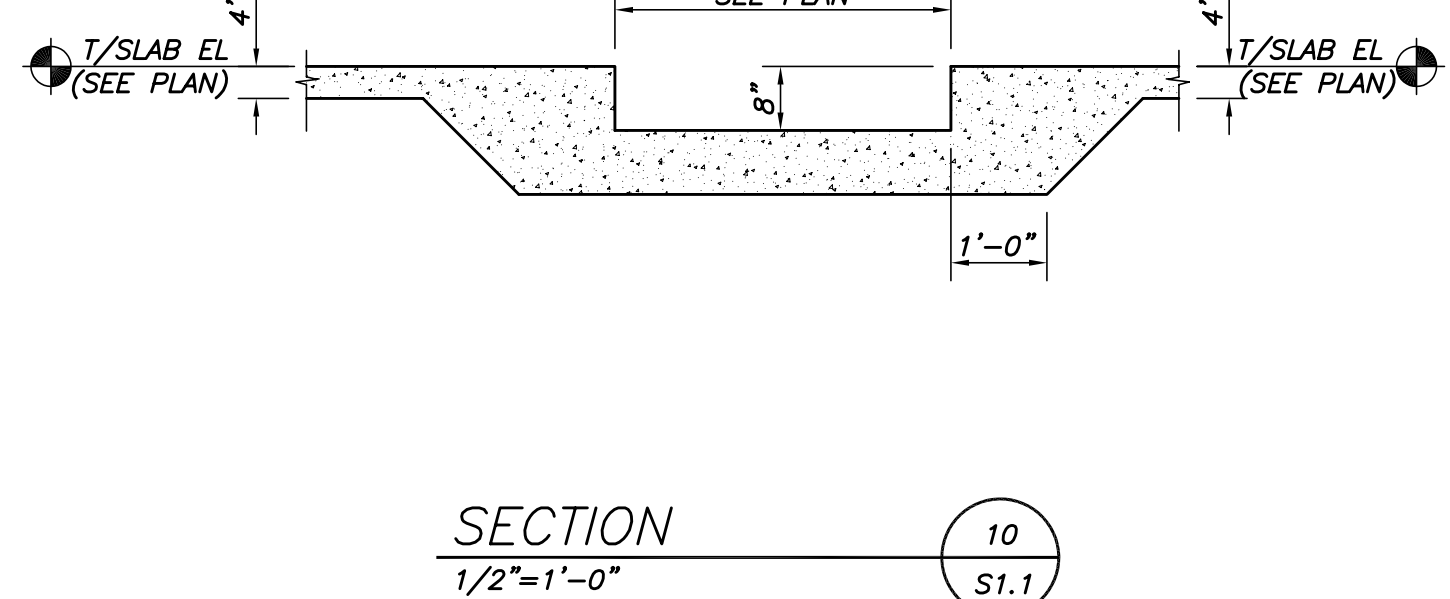
SECTION 6
1/2"=1'-0" S1.1



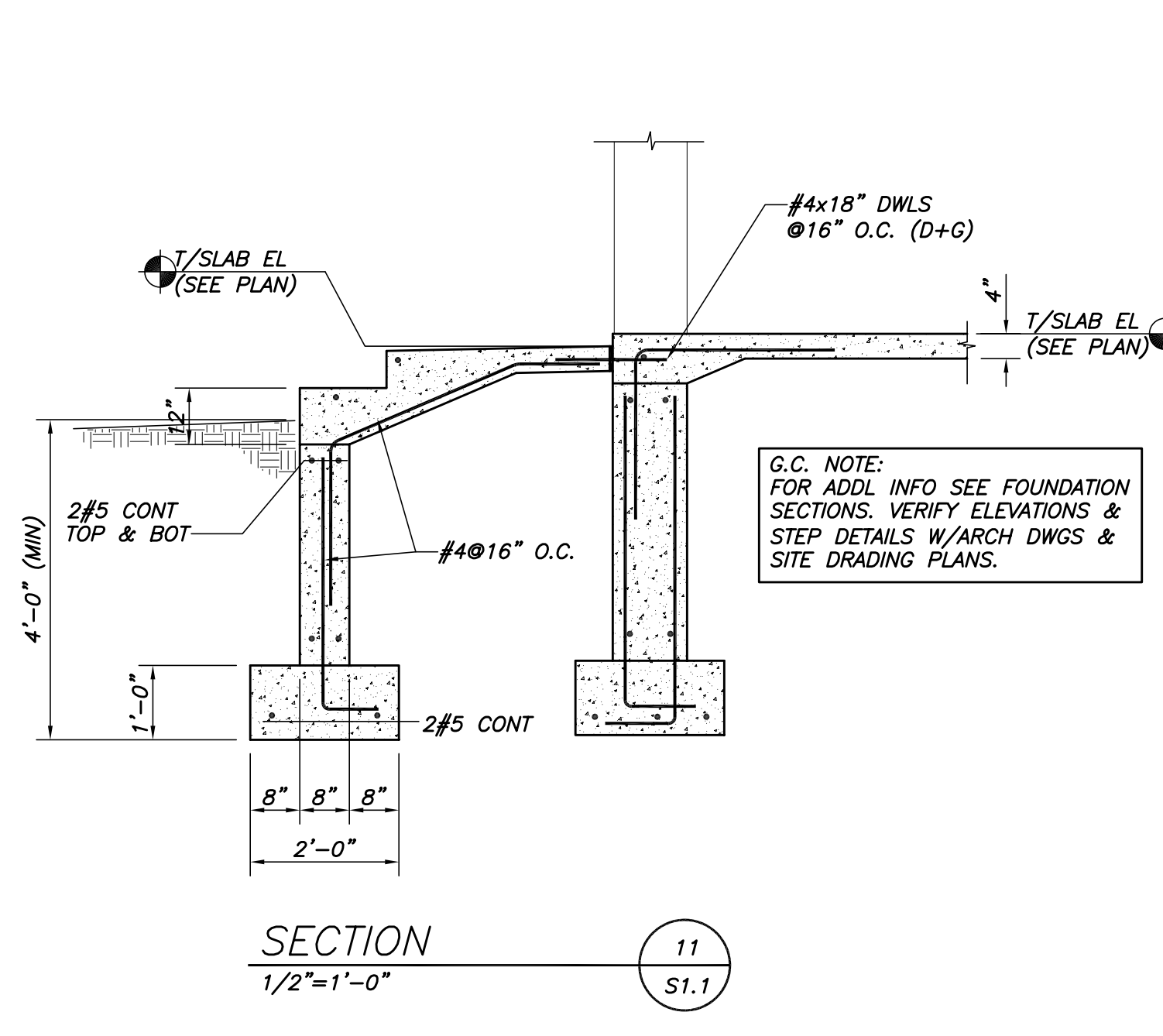
SECTION 7
1/2"=1'-0" S1.1



SECTION 8
1/2"=1'-0" S1.1

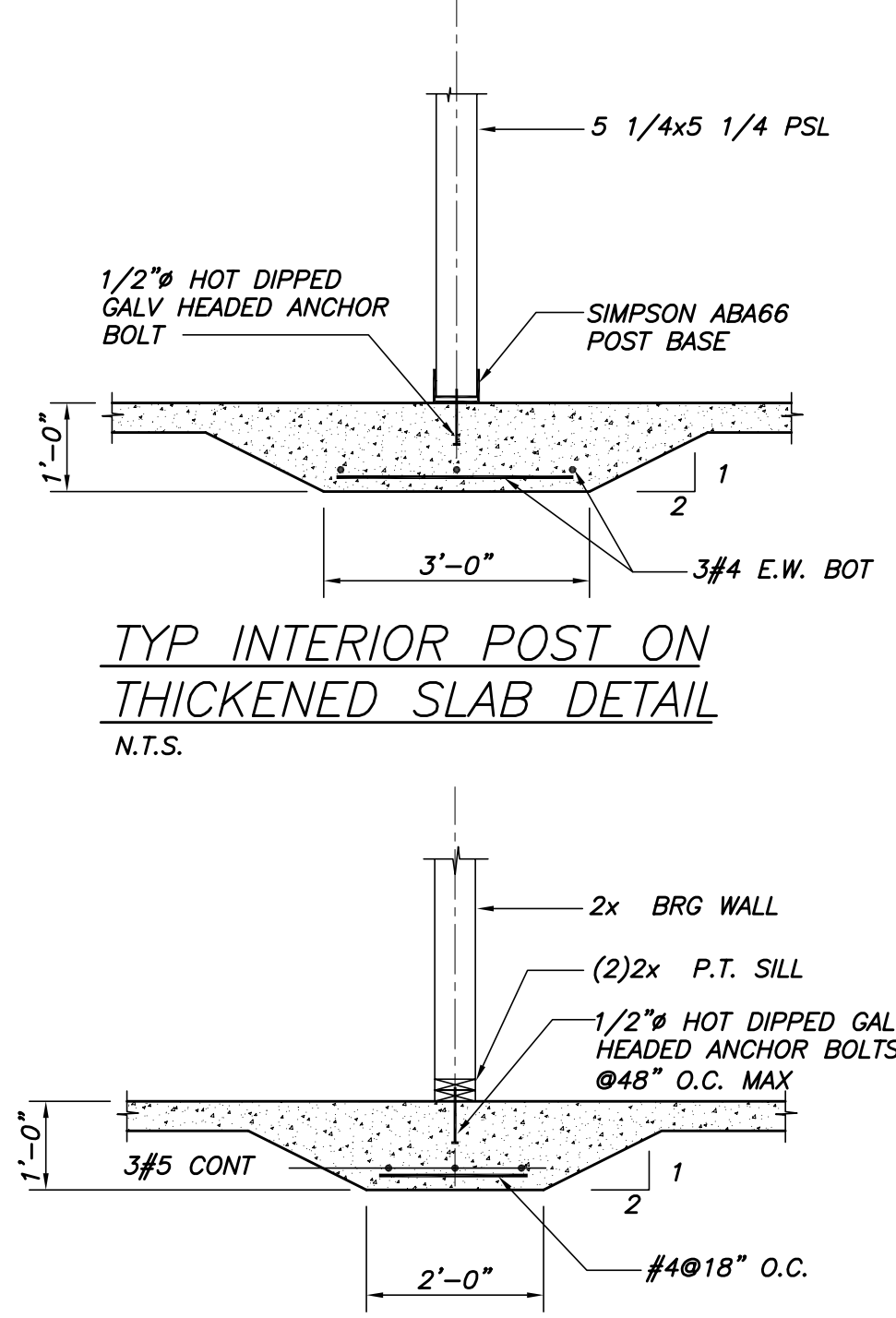


SECTION 10
1/2"=1'-0" S1.1

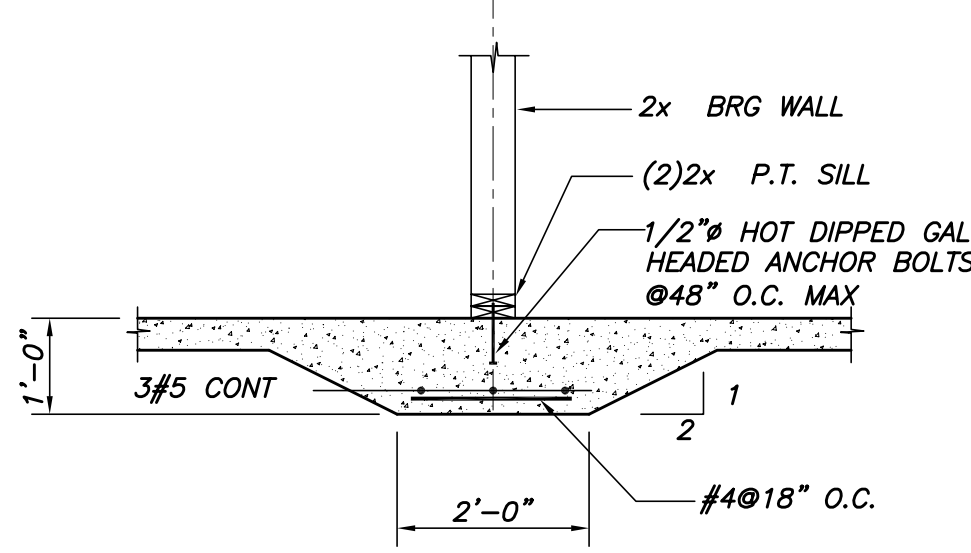


SECTION 11
1/2"=1'-0" S1.1

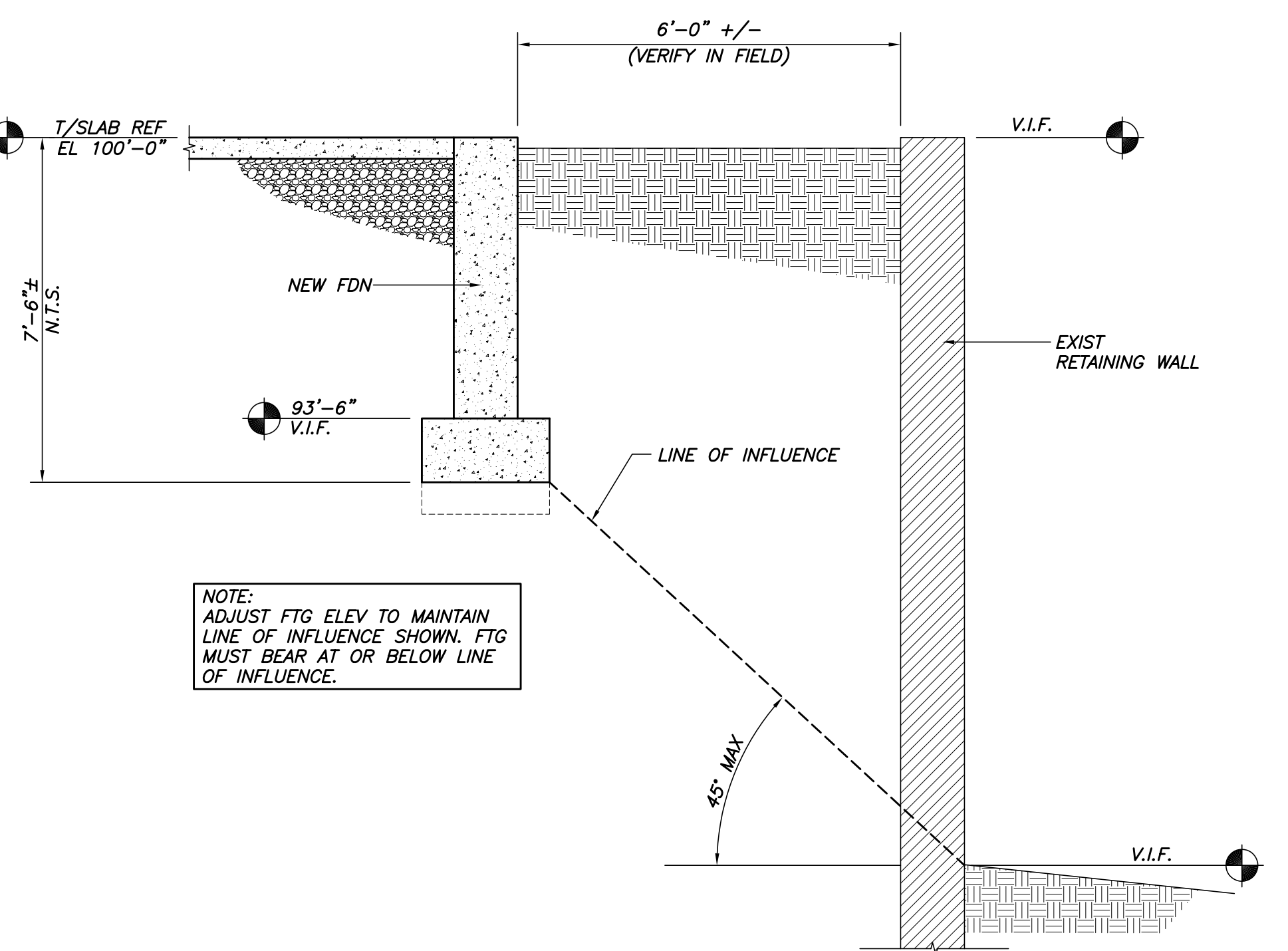
G.C. NOTE:
FOR ADDL INFO SEE FOUNDATION
SECTIONS. VERIFY ELEVATIONS &
STEP DETAILS W/ARCH DWGS &
SITE DRADING PLANS.



TYP INTERIOR POST ON
THICKENED SLAB DETAIL
N.T.S.

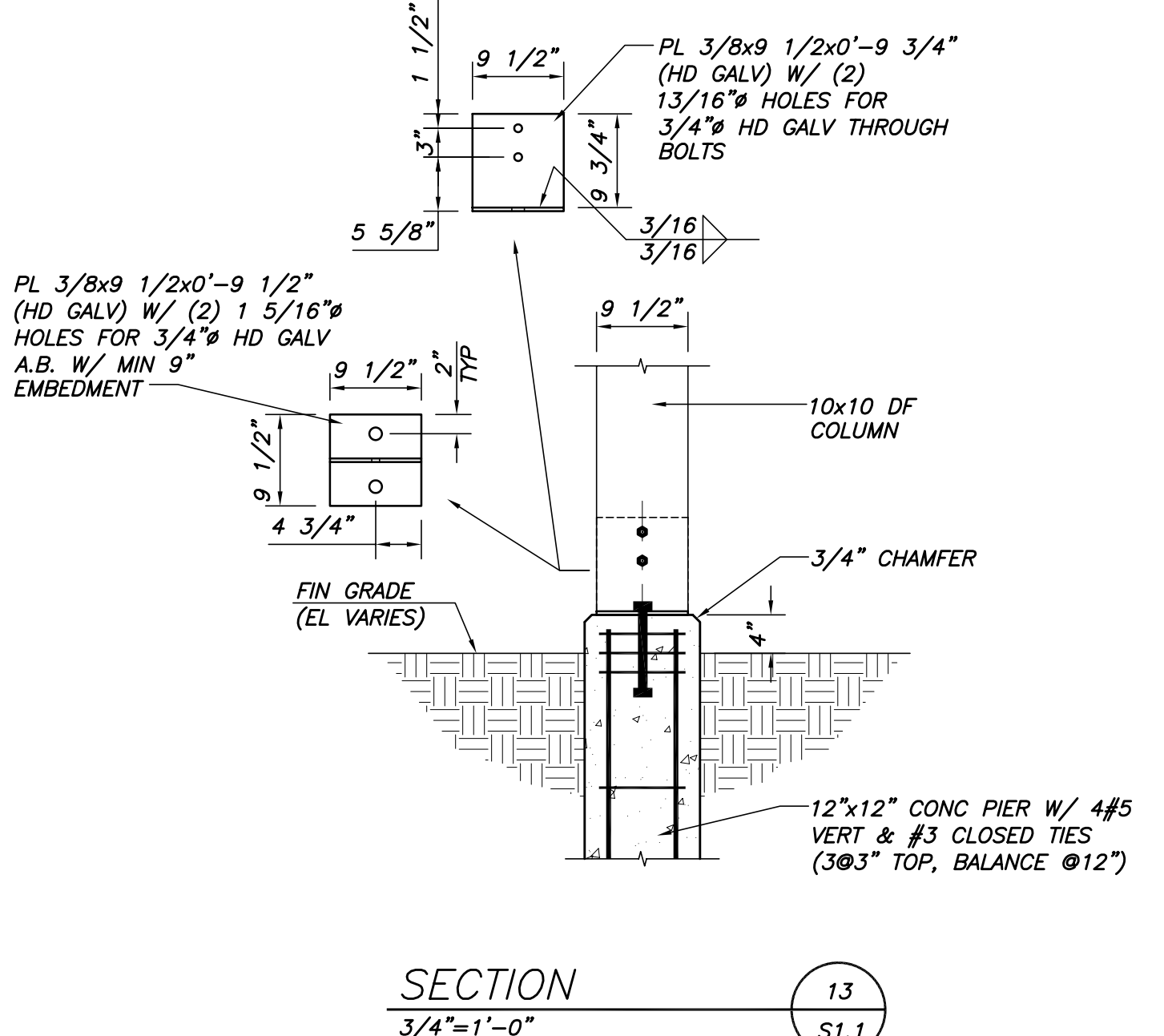


TYP INTERIOR BEARING WALL
ON THICKENED SLAB DETAIL
N.T.S.



SECTION AT EXIST RETAINING WALL
1/2"=1'-0" S1.1

NOTE:
ADJUST FTC ELEV TO MAINTAIN
LINE OF INFLUENCE SHOWN. FTC
MUST BEAR AT OR BELOW LINE
OF INFLUENCE.



SECTION 13
3/4"=1'-0" S1.1

THIS DRAWING IS AN INSTRUMENT OF SERVICE AND SHALL REMAIN THE PROPERTY OF BECKER STRUCTURAL ENGINEERS INC. IT SHALL NOT BE REPRODUCED, COPIED, LENT OR DISPOSED OF DIRECTLY OR INDIRECTLY NOR USED FOR ANY PURPOSE OTHER THAN FOR WHICH IT IS SPECIFICALLY FURNISHED AND MUST BE RETURNED TO BECKER STRUCTURAL ENGINEERS INC. ON COMPLETION OF WORK, IF REQUESTED.

Rev. No.	Date	Issued For
	09/14/05	ISSUED FOR CONSTRUCTION

FEDERAL ST TOWNHOMES
44 Federal Street Portland, Me.

Designed	Scale
AMW	NOTED
Drawn	Date
APP	09/14/2005
Checked	Becker Job Number
PBB	1330