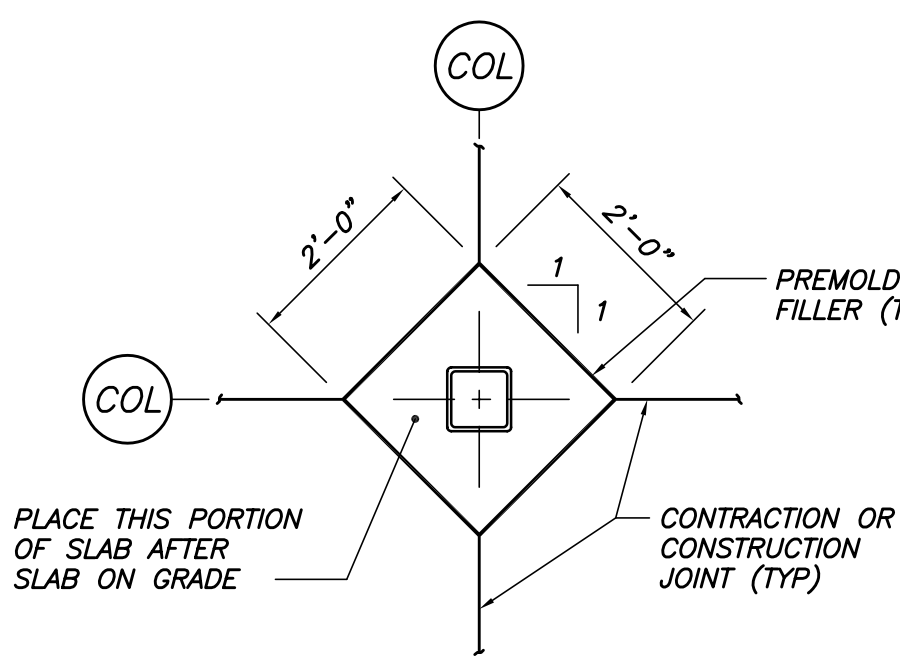
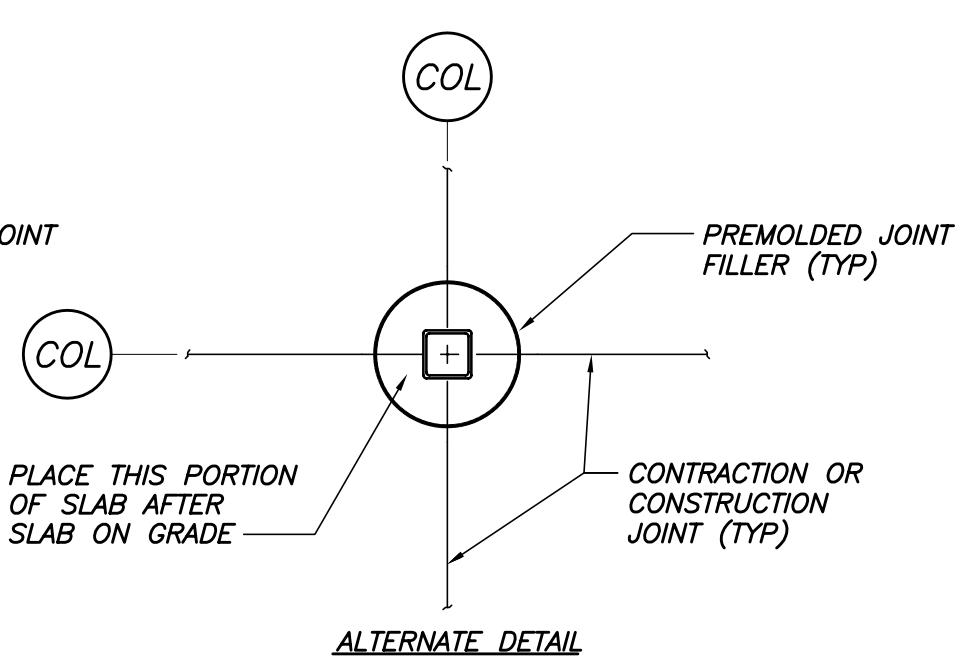


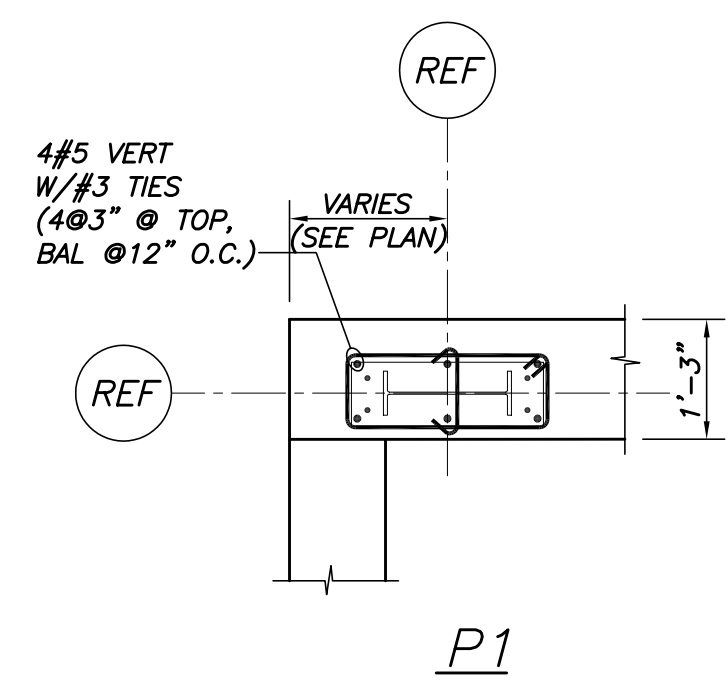
**TYP INTERIOR FOOTING DETAIL**  
N.T.S. t = FOOTING THICKNESS



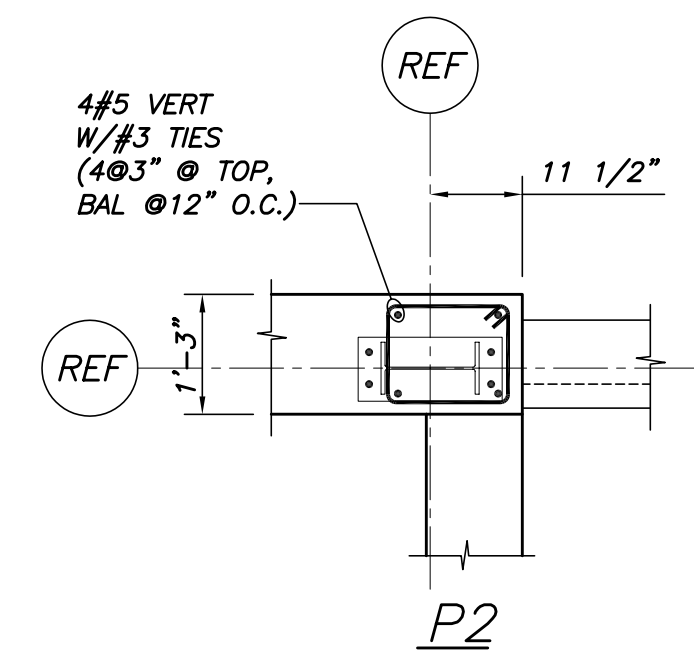
**TYP SLAB ON GRADE DETAIL AT INTERIOR COLUMN**  
N.T.S.



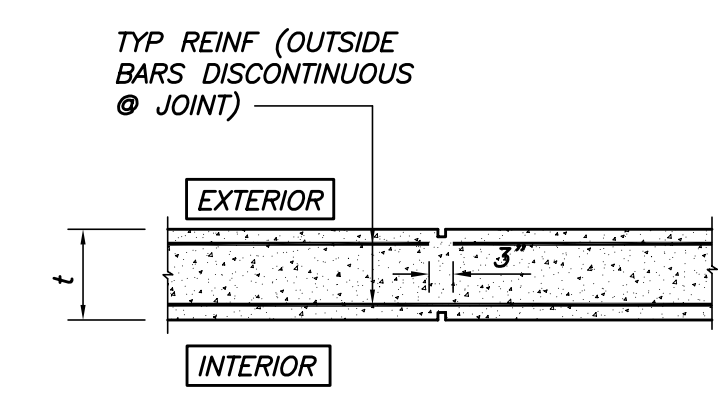
ALTERNATE DETAIL



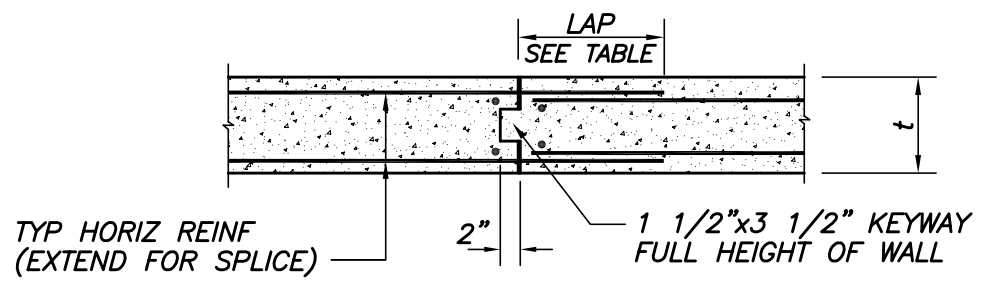
P1



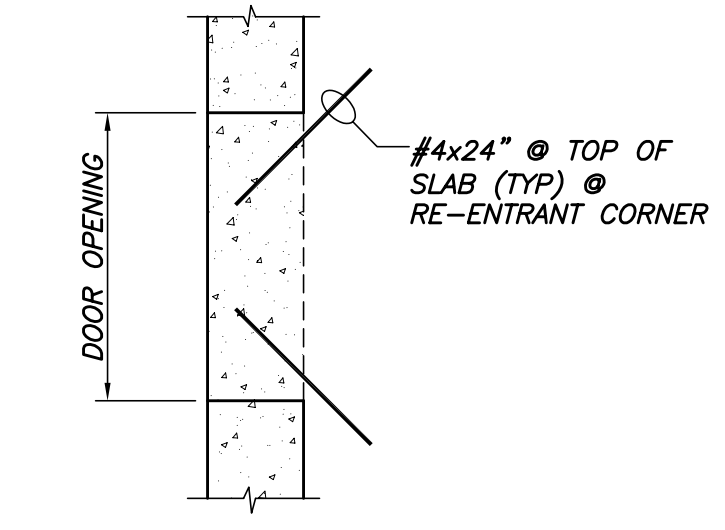
P2



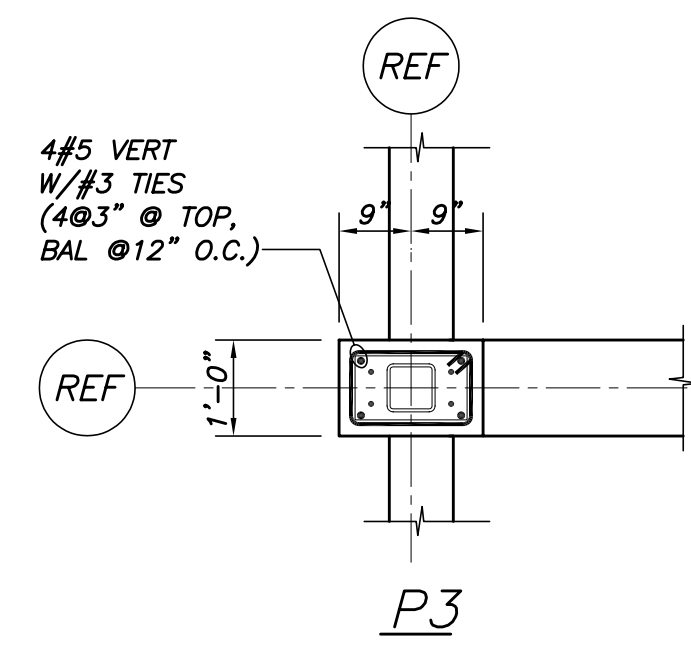
**TYP CONTROL JOINT IN WALL**  
N.T.S. t = WALL THICKNESS



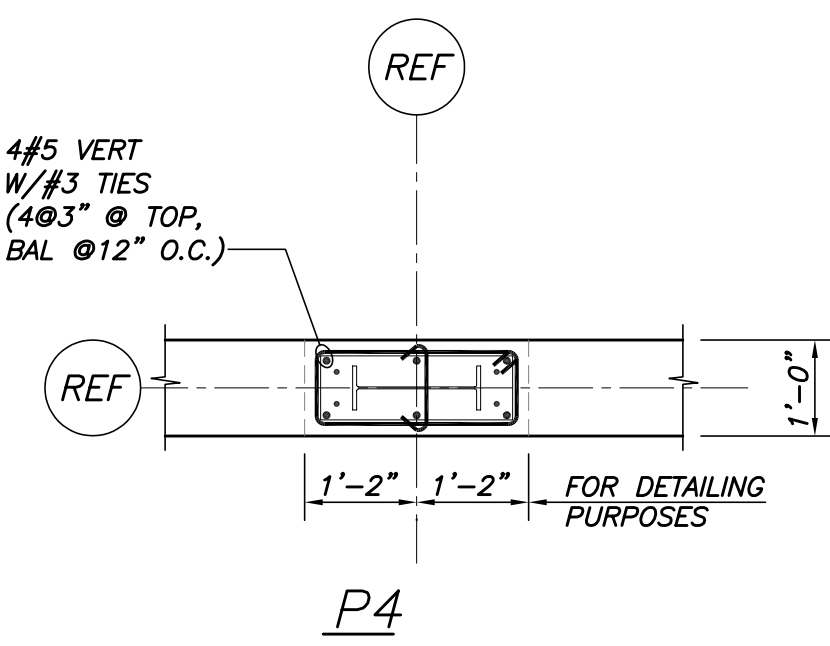
**TYP CONSTRUCTION JOINT IN WALL**  
N.T.S. t = WALL THICKNESS



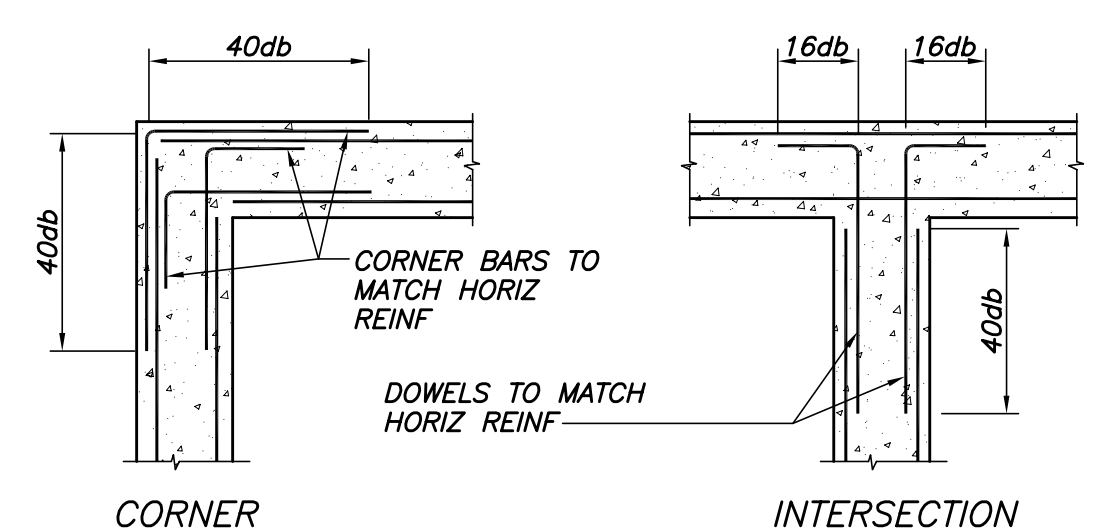
**TYP SLAB CORNER DETAIL @ DOOR**  
N.T.S.



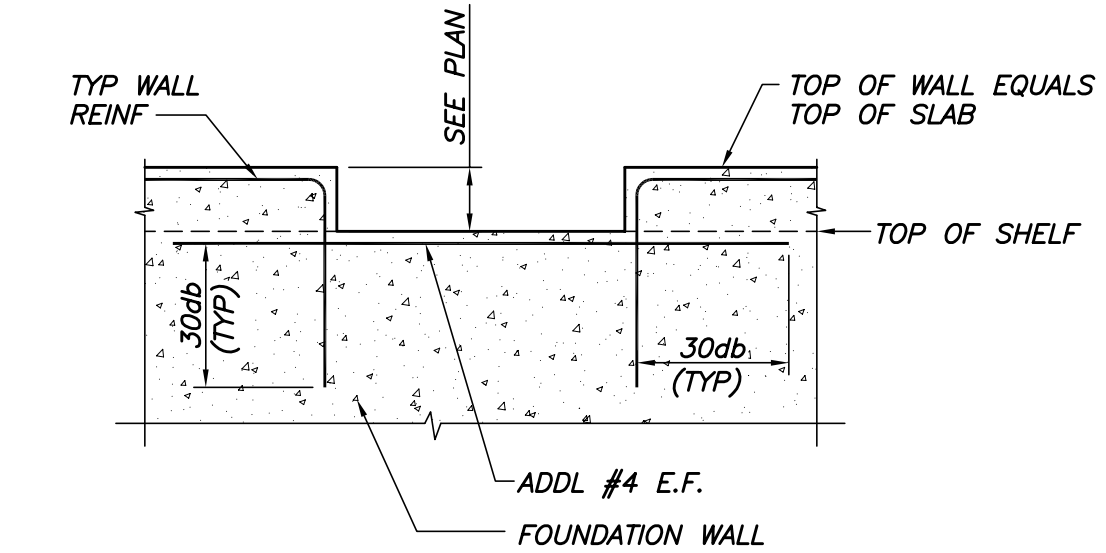
P3



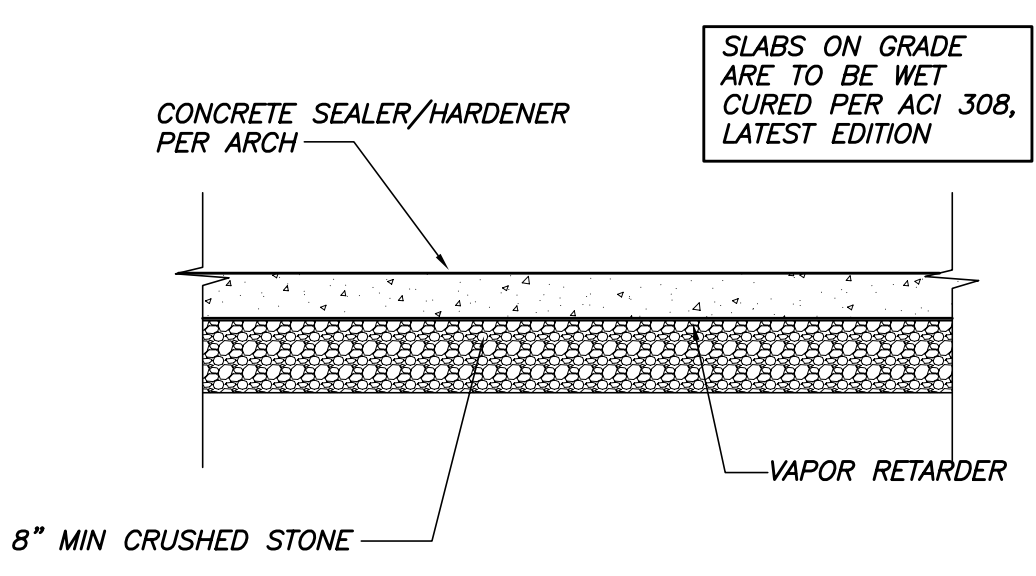
P4



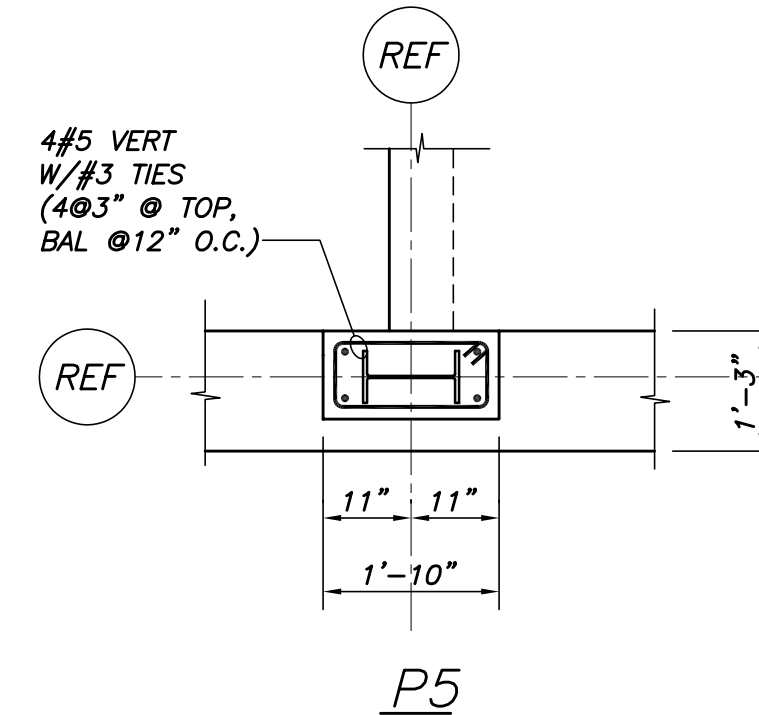
**TYP WALL REINF DETAILS**  
N.T.S.



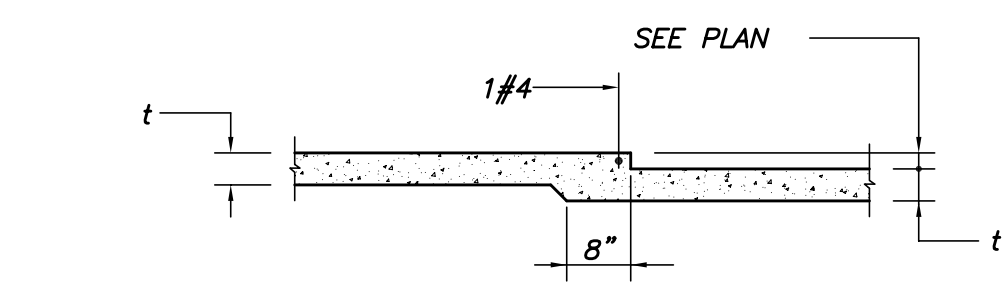
**TYP WALL DEPRESSION DETAIL @ DOOR**  
N.T.S.



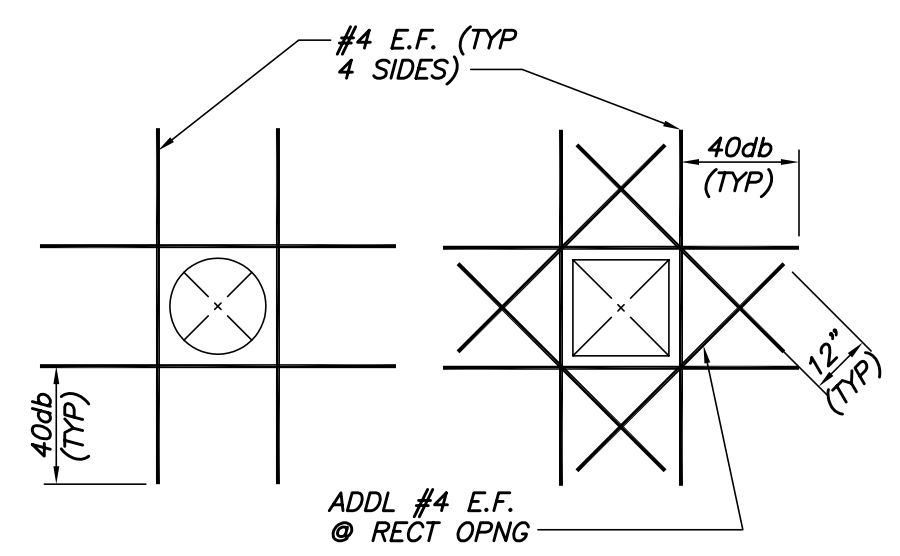
**TYP SLAB DETAIL**  
N.T.S.



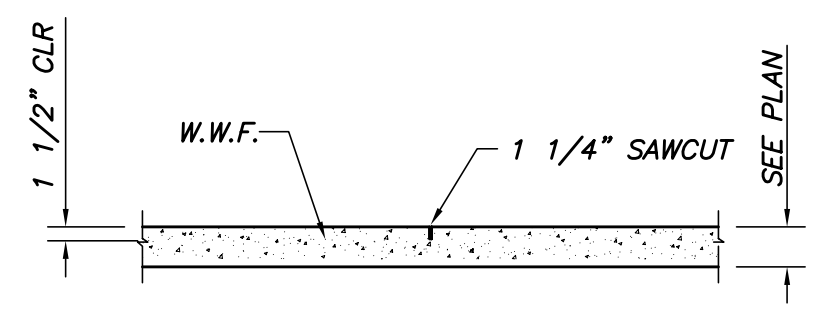
P5



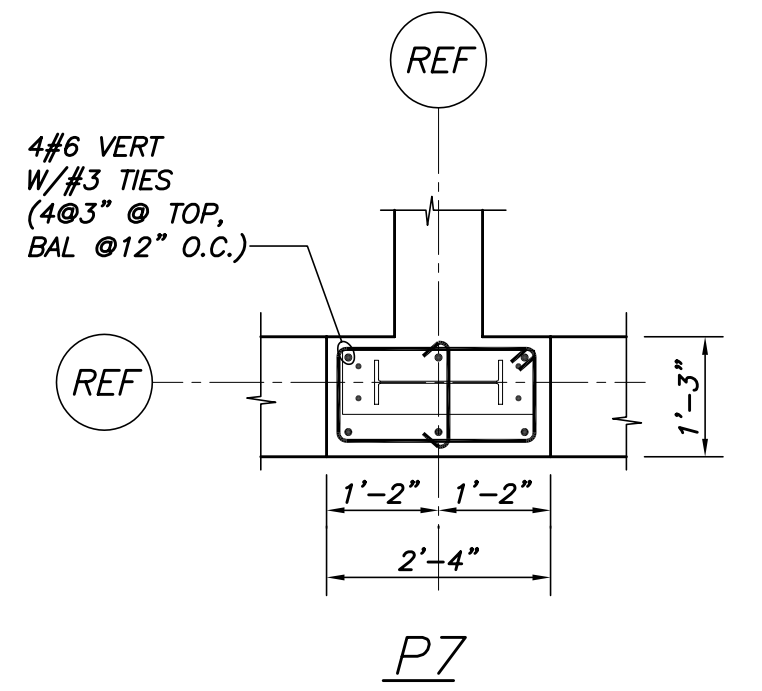
**TYP SLAB ON GRADE DEPRESSION DETAIL**  
N.T.S. t = SLAB THICKNESS



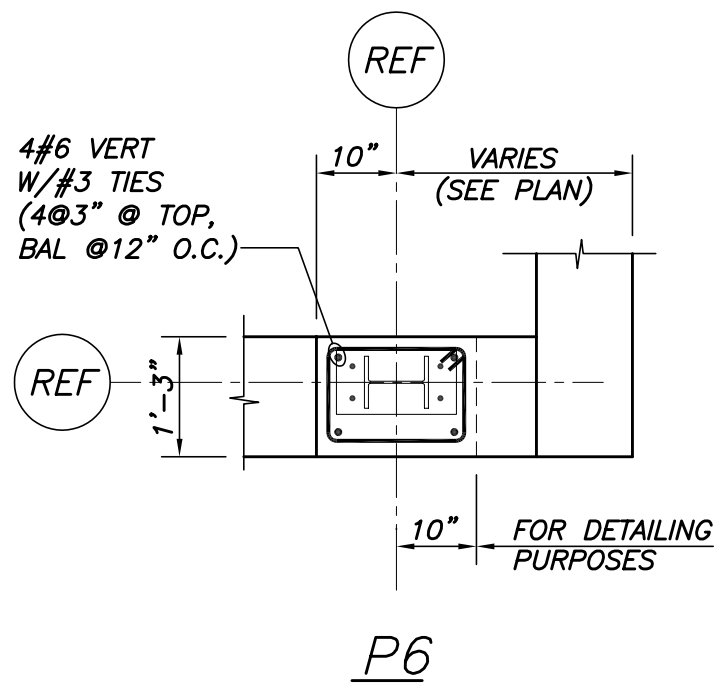
**TYP OPENING IN WALL OR SLAB**  
N.T.S.



**TYP SLAB ON GRADE CONTRACTION JOINT DETAIL**  
N.T.S.

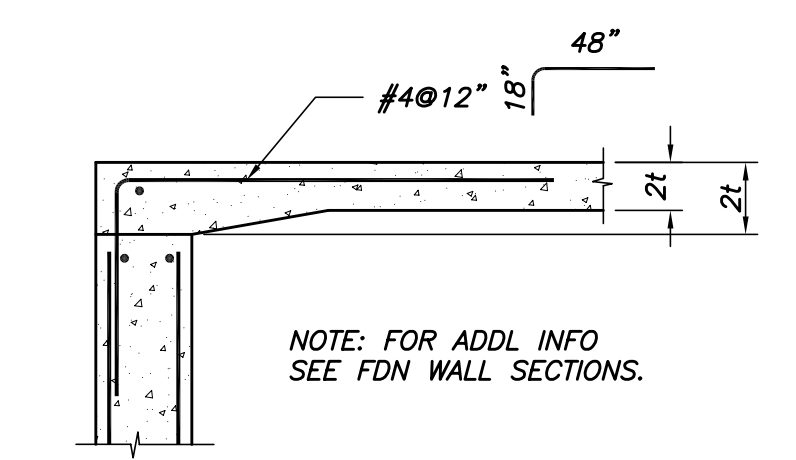


P7



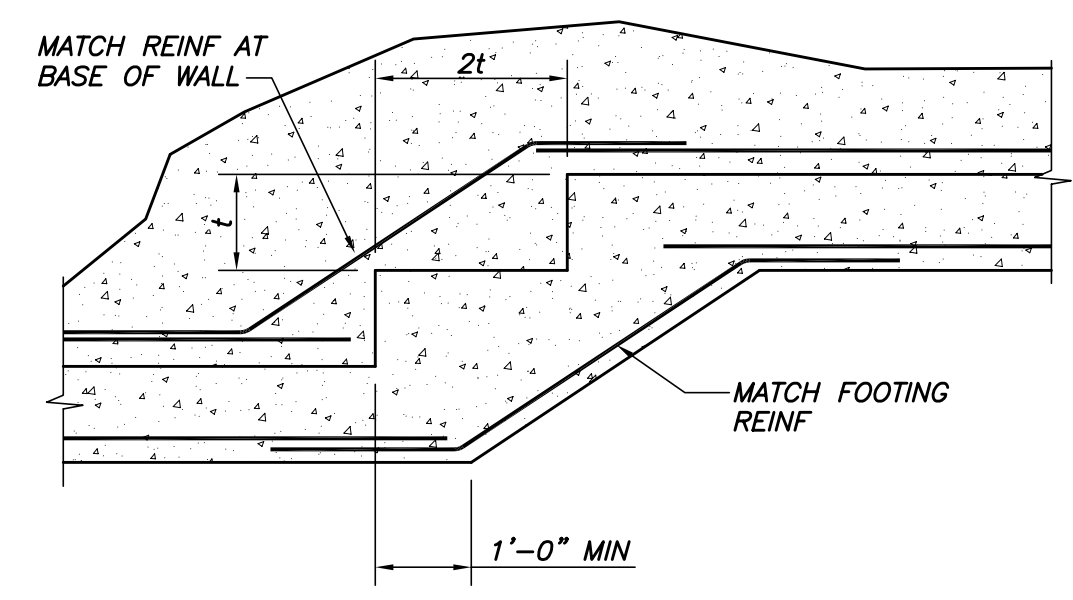
P6

**PIER DETAILS**  
1/2"=1'-0"



**TYP SLAB DETAIL @ DOOR**  
N.T.S. t = SLAB THICKNESS

BAR SIZE	LAP LENGTH	
	3,000 PS1	4,000 PS1
#3	30"	24"
#4	36"	32"
#5	48"	42"
#6	56"	48"
#7	81"	72"



**TYP STEP FOOTING DETAIL**  
N.T.S. t = FOOTING THICKNESS

THIS DRAWING IS AN INSTRUMENT OF SERVICE AND SHALL REMAIN THE PROPERTY OF BECKER STRUCTURAL ENGINEERS INC. IT SHALL NOT BE REPRODUCED, COPIED, LENT OR DISPOSED OF DIRECTLY OR INDIRECTLY NOR USED FOR ANY PURPOSE OTHER THAN THAT FOR WHICH IT IS SPECIFICALLY FURNISHED AND MUST BE RETURNED TO BECKER STRUCTURAL ENGINEERS INC. ON COMPLETION OF WORK, IF REQUESTED.