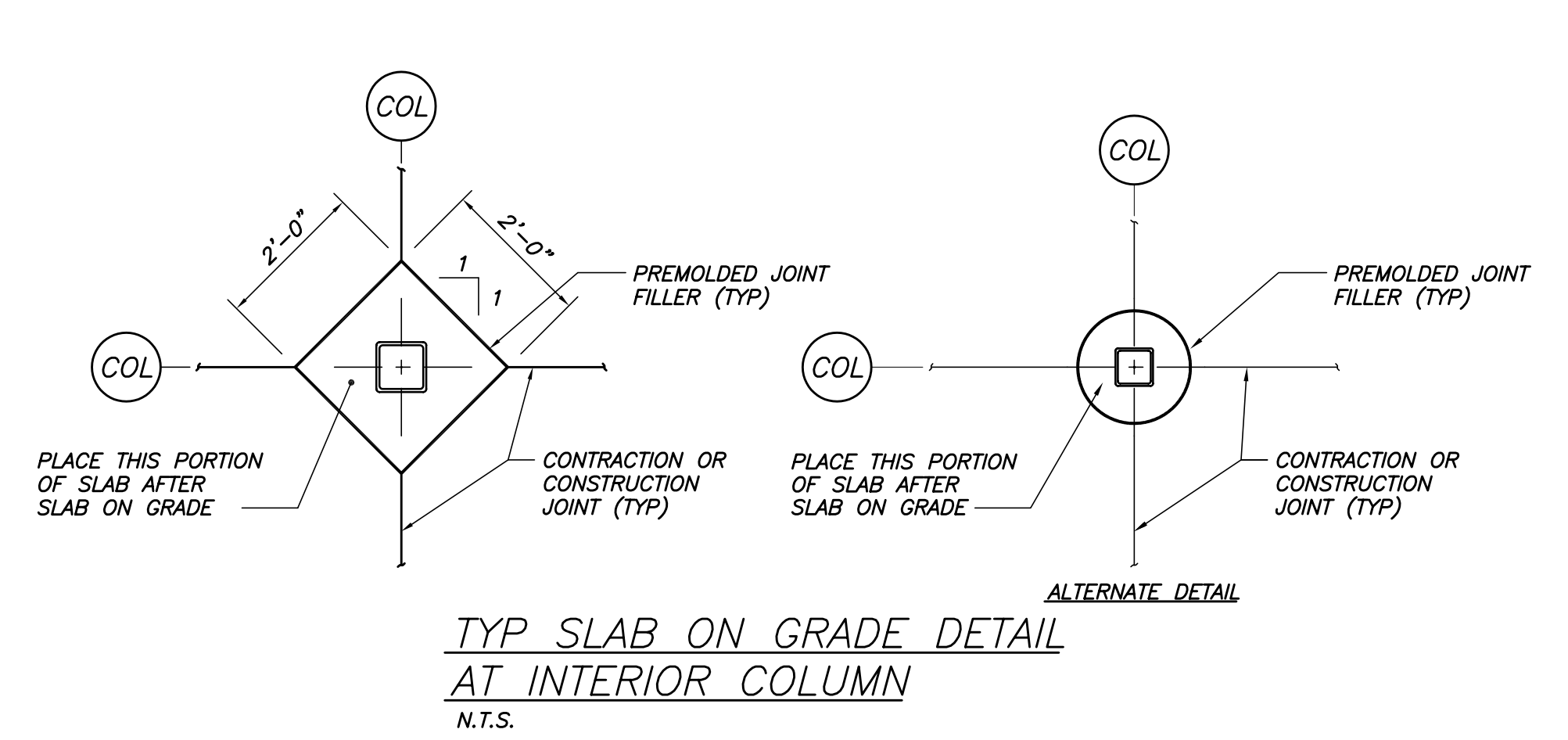
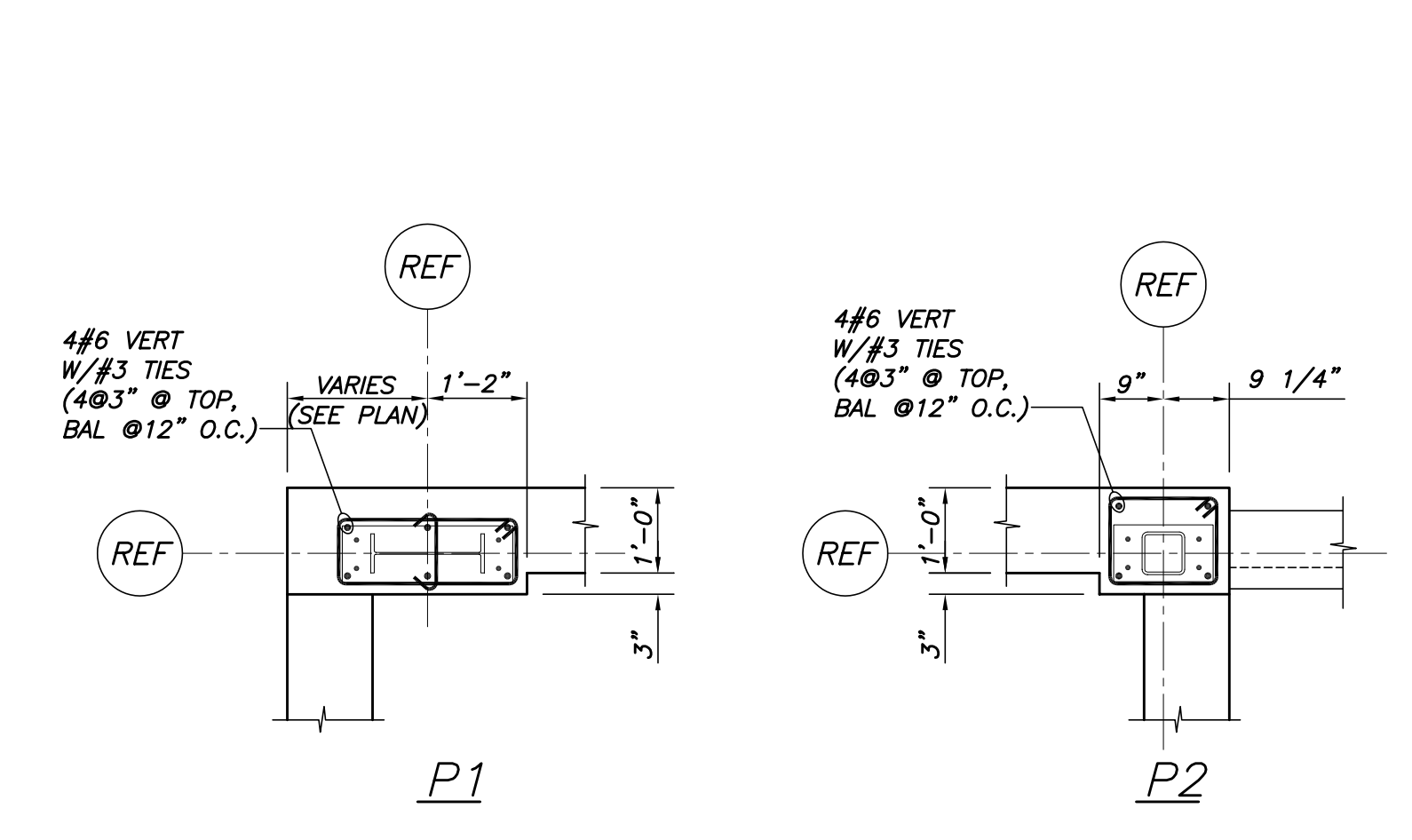


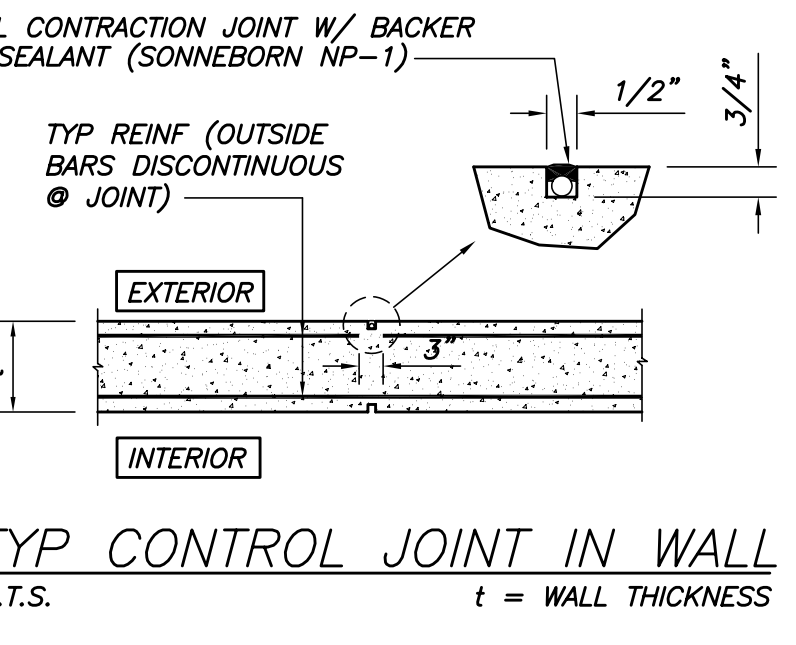
TYP INTERIOR FOOTING DETAIL
N.T.S. t = FOOTING THICKNESS



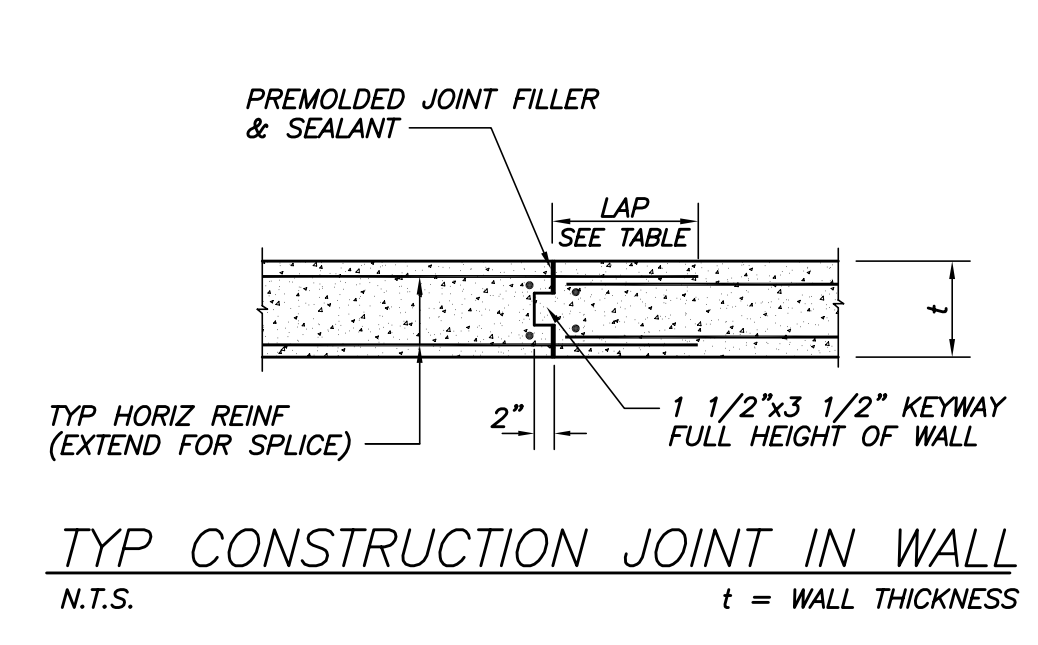
TYP SLAB ON GRADE DETAIL AT INTERIOR COLUMN
N.T.S.



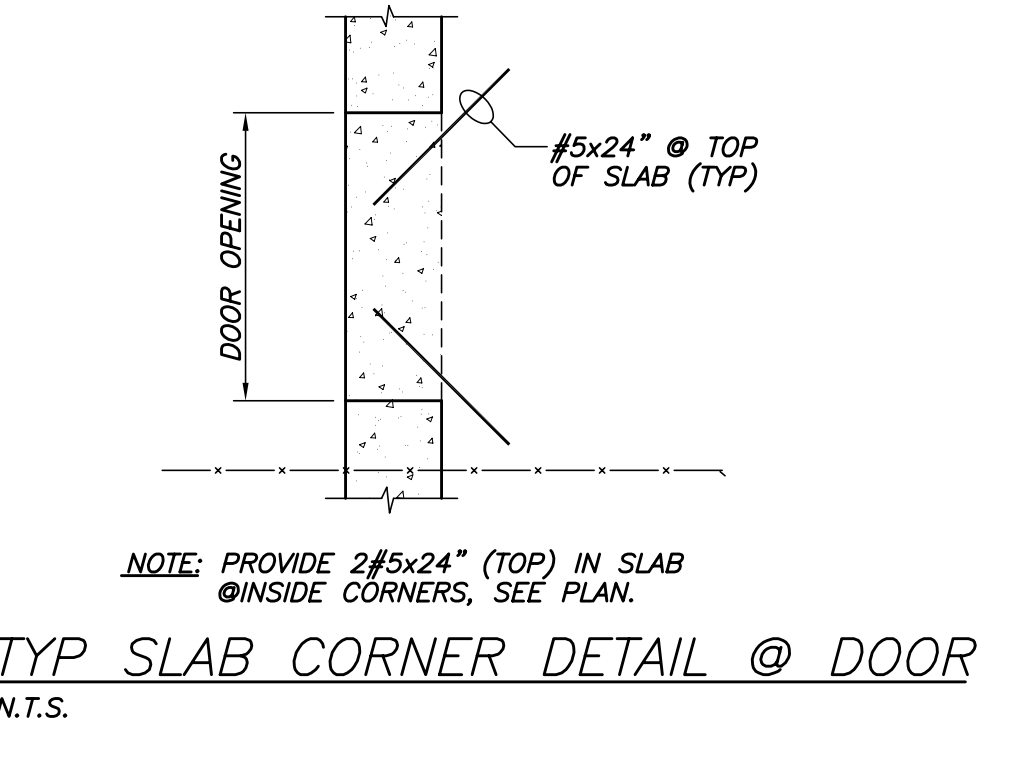
PIER DETAILS
1/2" = 1'-0"



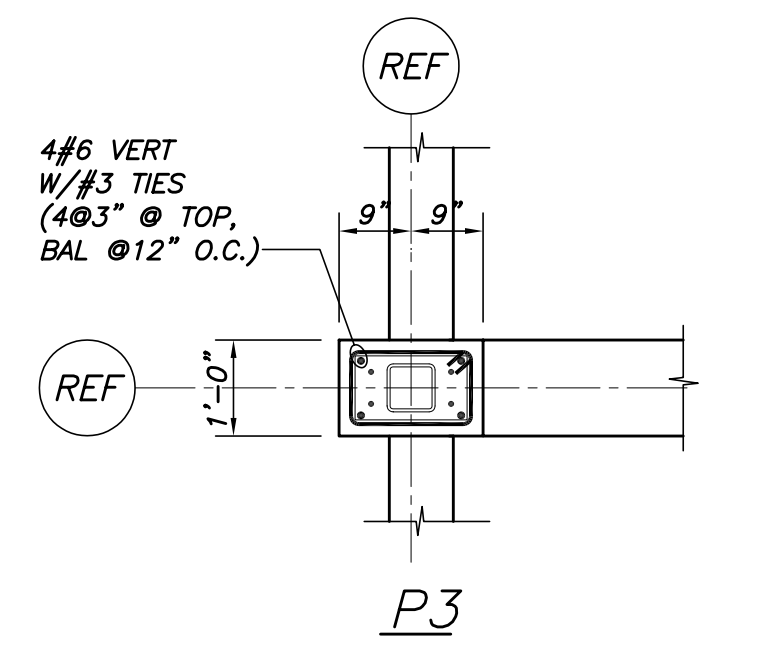
TYP CONTROL JOINT IN WALL
N.T.S. t = WALL THICKNESS



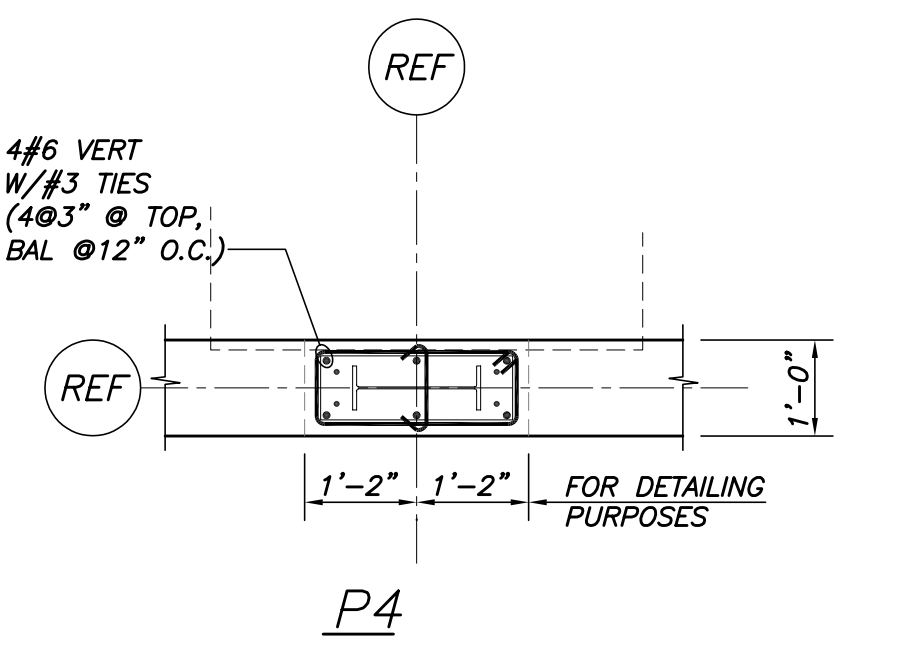
TYP CONSTRUCTION JOINT IN WALL
N.T.S. t = WALL THICKNESS



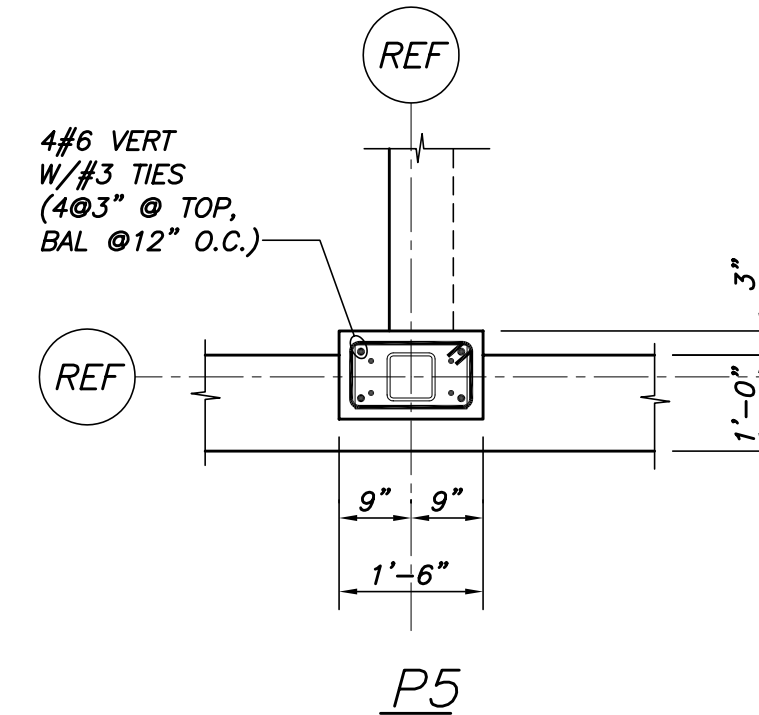
TYP SLAB CORNER DETAIL @ DOOR
N.T.S.



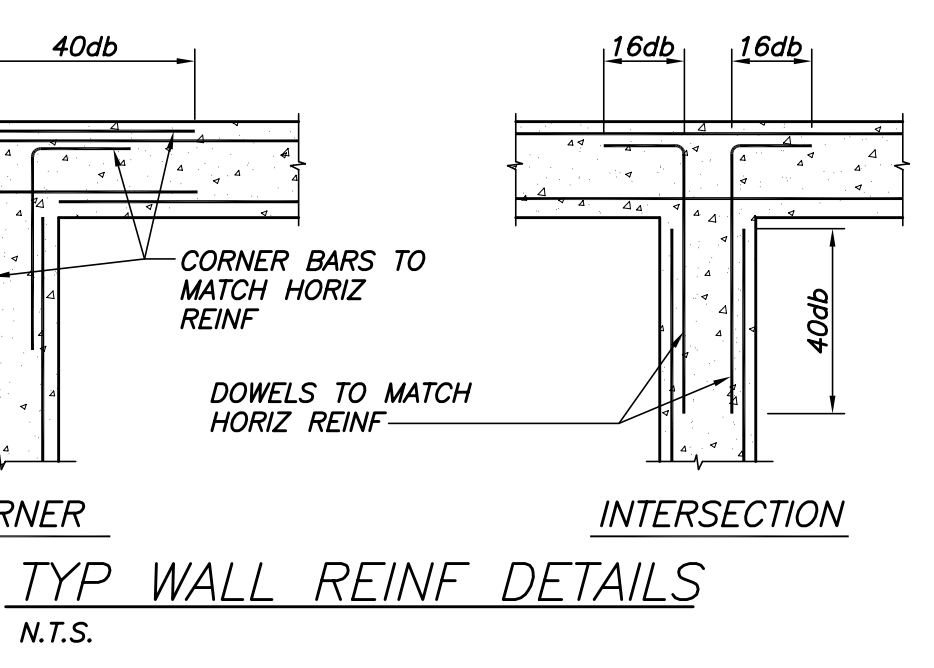
PIER DETAILS



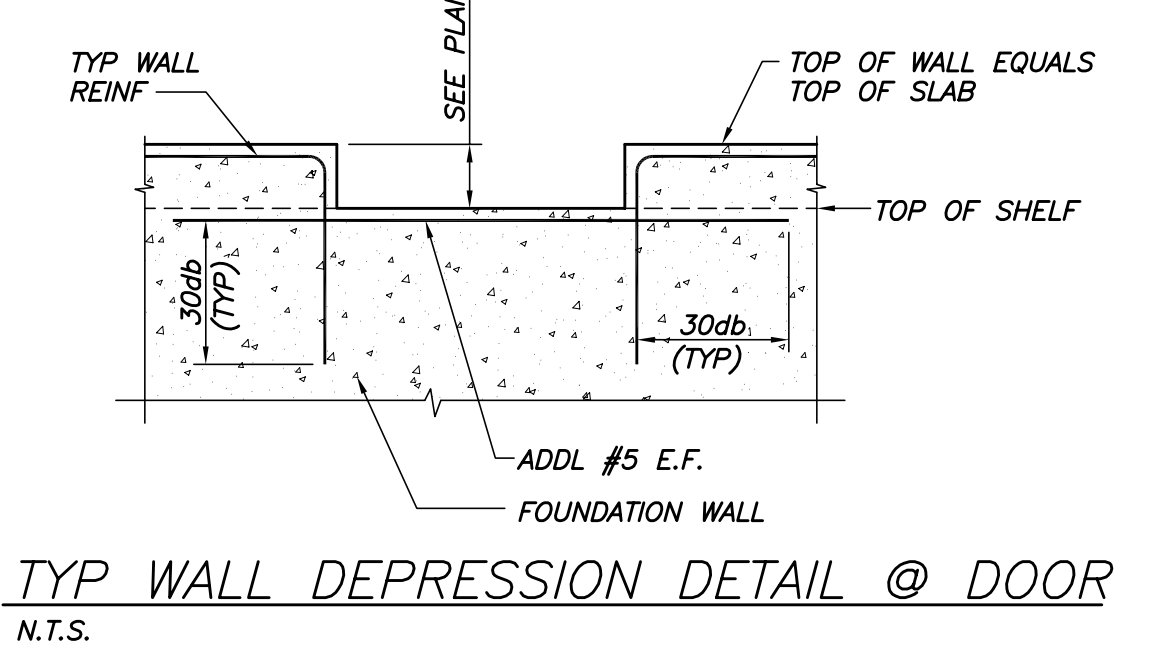
PIER DETAILS



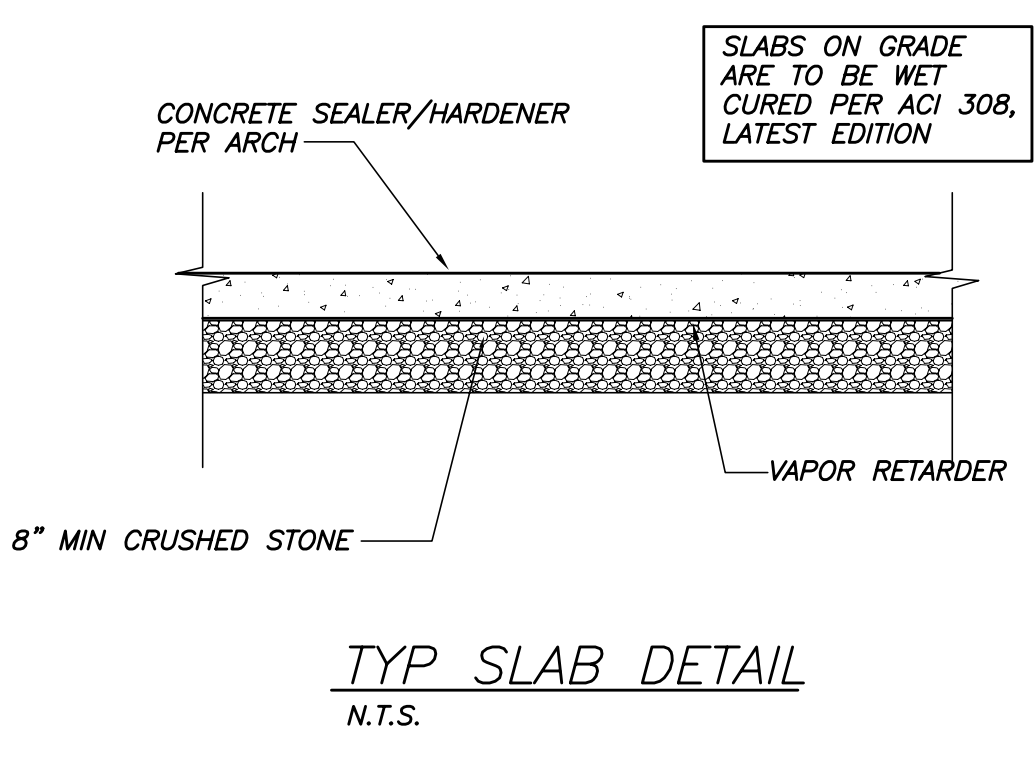
PIER DETAILS



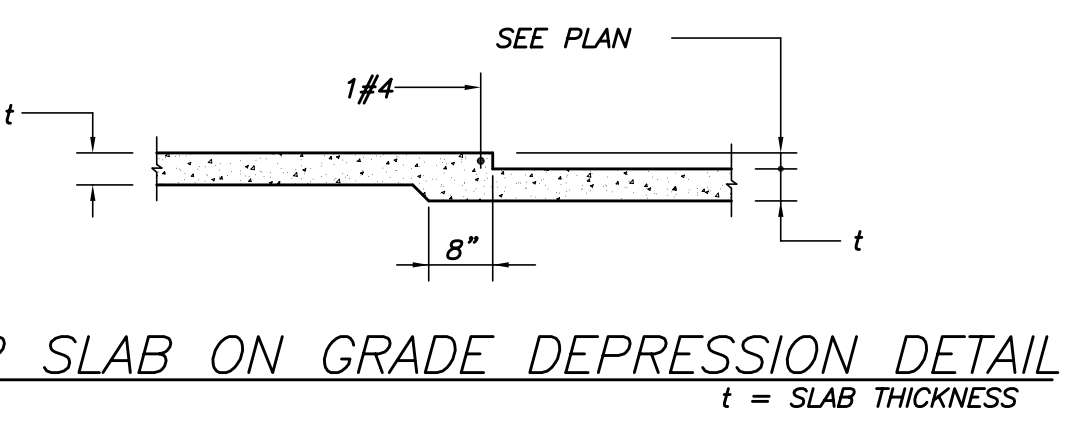
TYP WALL REINF DETAILS
N.T.S.



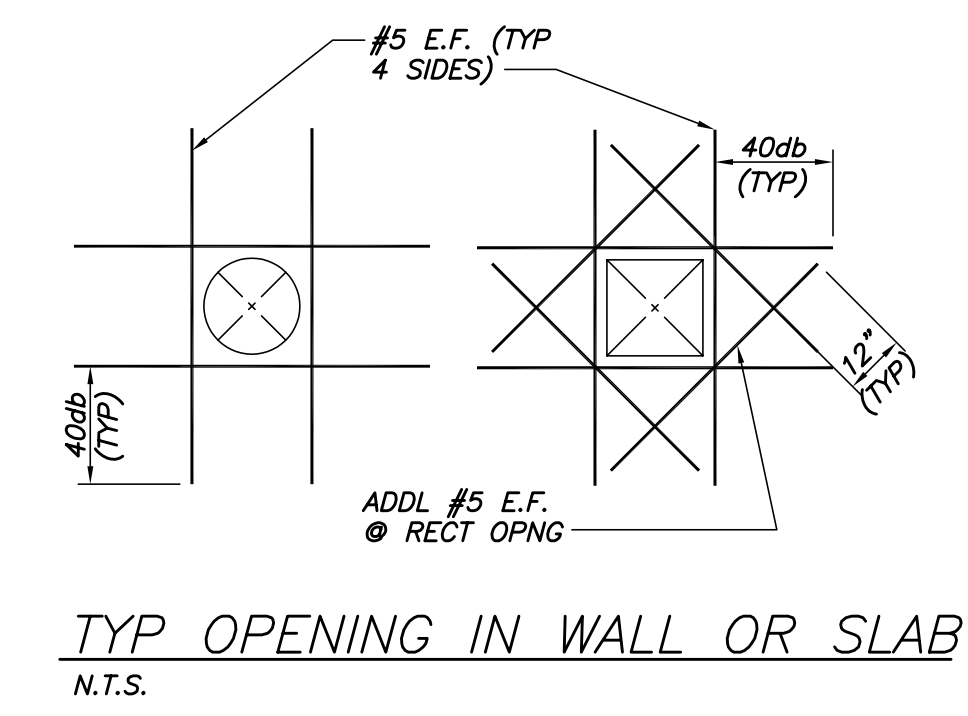
TYP WALL DEPRESSION DETAIL @ DOOR
N.T.S.



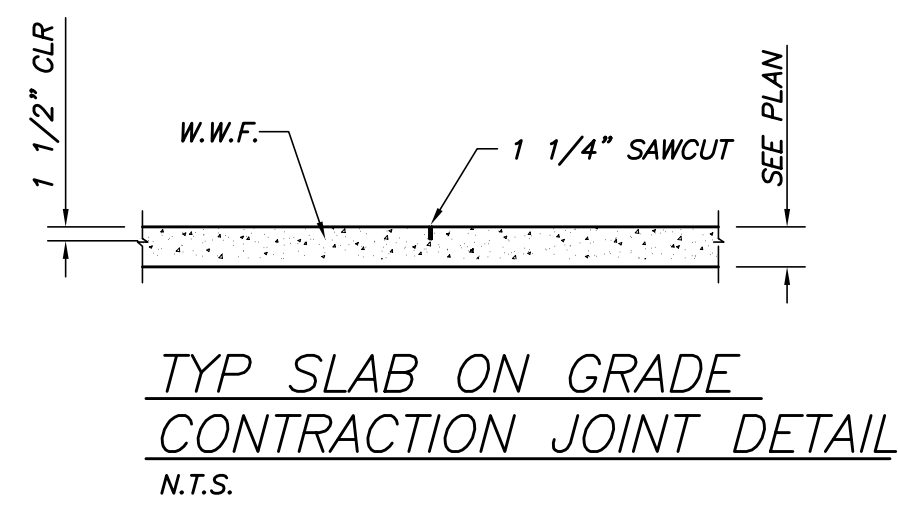
TYP SLAB DETAIL
N.T.S.



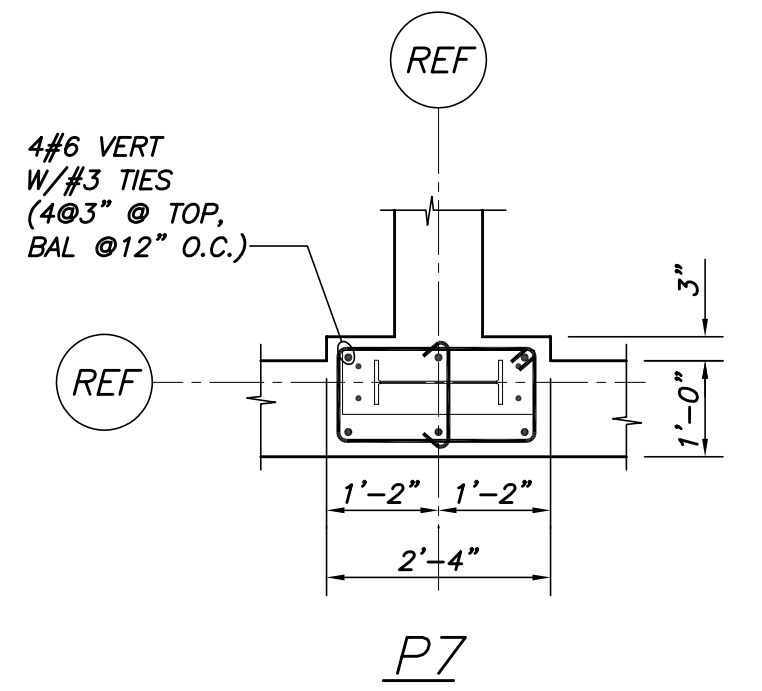
TYP SLAB ON GRADE DEPRESSION DETAIL
N.T.S. t = SLAB THICKNESS



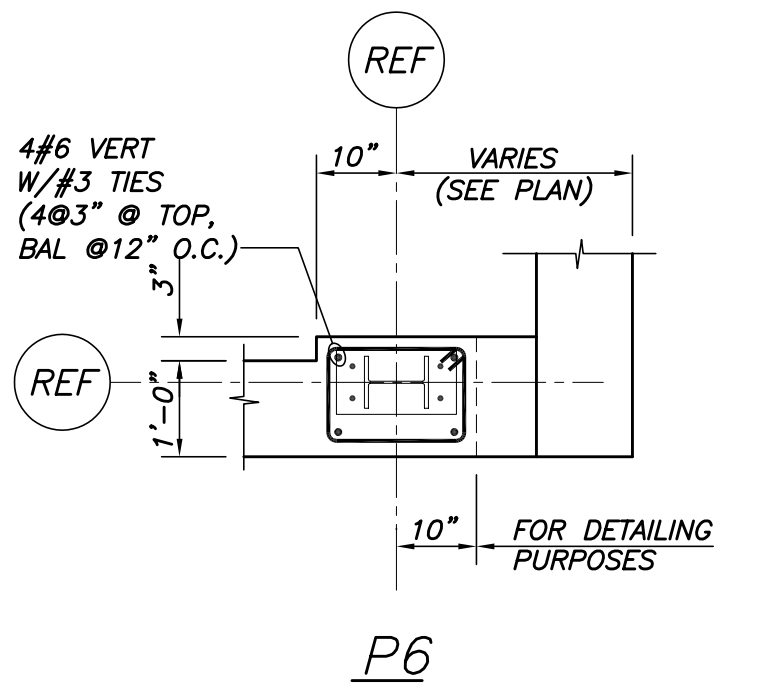
TYP OPENING IN WALL OR SLAB
N.T.S.



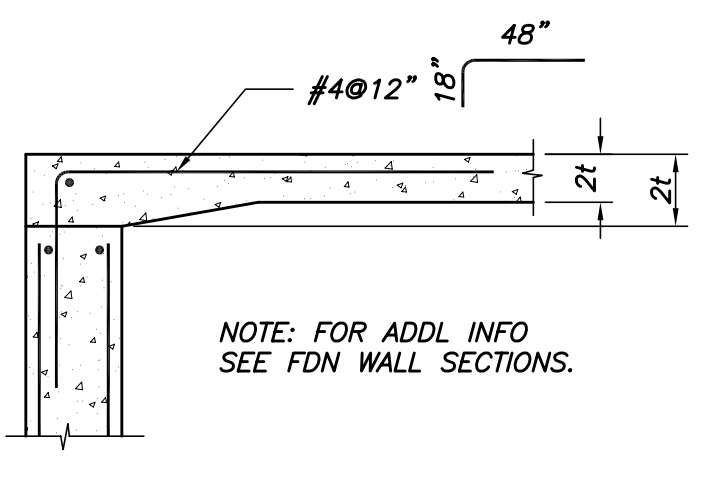
TYP SLAB ON GRADE CONTRACTION JOINT DETAIL
N.T.S.



PIER DETAILS

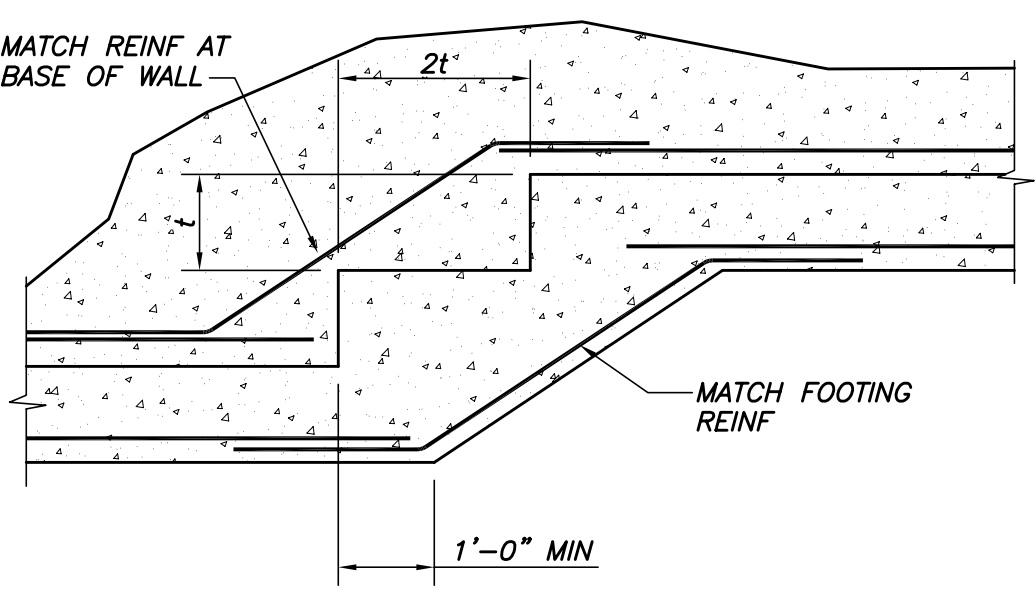


PIER DETAILS



TYP SLAB DETAIL @ DOOR
N.T.S. t = SLAB THICKNESS

BAR SIZE	LAP LENGTH	
	3,000 PS1	4,000 PS1
#3	30"	24"
#4	36"	32"
#5	48"	42"
#6	56"	48"
#7	81"	72"



TYP STEP FOOTING DETAIL
N.T.S. t = FOOTING THICKNESS

NOT FOR CONSTRUCTION
PERMIT SET
07/11/2005

Designed	Scale
AMW	NOTED
Drawn	Date
APP	07/11/2005
Checked	Becker Job Number
PBB	1330