



# Fire Alarm Permit

If you or the property owner owes real estate or property taxes or user charges on any property within the city, payment arrangements must be made before permits of any kind are accepted.

Installation address: 52 Federal St CBL: \_\_\_\_\_

Exact location: (within structure) Front lobby, inside the front door

Type of occupancy(s) (NFPA & ICC): Apartment

Building owner: Brent Adler

System Designer (point of contact): Kevin Inman  
Must be

Designer phone: 207-310-4009 E-mail: kinman@surv.com

Installing contractor: Surveillance Specialties Certificate of Fitness No: M1020

Contractor phone: 207-828-0022 E-mail: pgreen@surv.com

This is a new application: YES  NO  New AES Master Box: YES  NO   
(Include Master Box approval form)

Amendment to an existing permit: YES  NO  Permit no: \_\_\_\_\_

The following documents **shall** be provided with this application:

- Floor plans
- Wiring diagram
- Annunciator details
- Input/ Output Matrix
- Equipment data sheets
- Electrical Permit Pulled (check alarm/com)
- Scope of Work
- 11 1/2 x 17s
- pdf copy (may be e-mailed)
- Designer qualifications
- Battery/ voltage drop calcs

Master box approval only: YES  NO   
(If yes check *New AES Master Box* above)

COST OF WORK:	<u>\$ 5000 -</u>
PERMIT FEE:	<u>\$ 70 -</u>
(\$10 PER \$1,000 + \$30 FOR THE FIRST \$1,000)	

The **designer** shall be the responsible party for this application. Download a new copy of this application at [www.portlandmaine.gov/fire](http://www.portlandmaine.gov/fire) for every submittal. Submit all plans in electronic **PDF in addition to readable 11 1/2 x 17s** to the Building Inspections Department, 389 Congress Street, Room 315, Portland, Maine 04101.

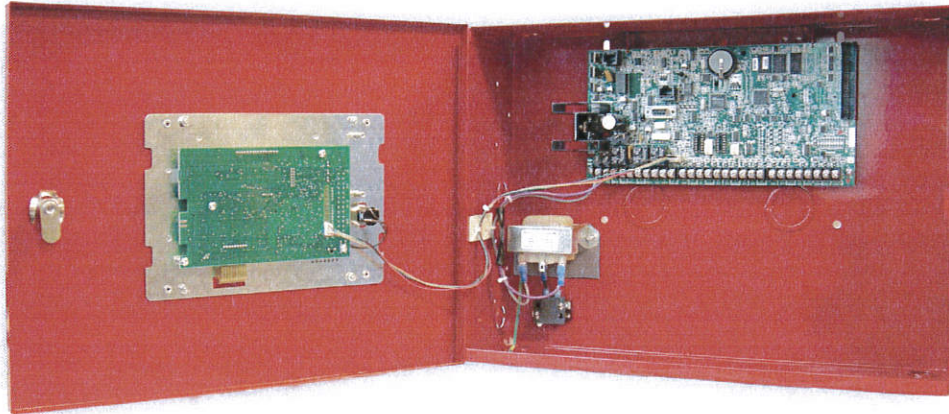
Prior to acceptance of any fire alarm system, a complete commissioning and acceptance test must be coordinated with all fire system contractors and the Fire Department, and proper documentation of such test(s) provided.

All installation(s) must comply with the *City of Portland Technical Standard for Signaling Systems for the Protection of Life and Property*, available at [www.portlandmaine.gov/fire](http://www.portlandmaine.gov/fire).

Applicant signature: [Signature] Date: \_\_\_\_\_



## Powerful UL Listed addressable fire system



- Proven reliability suitable for commercial and industrial installations
- Network ready option with on-board Ethernet connection
- Full range of zone expansion, communication, and relay output capability
- Flash Updateable

DMP XR100FC/XR500FC panels deliver true flexibility and expandability to cover all your fire needs.

### XR100FC/XR500FC SERIES COMMERCIAL FIRE PANELS

#### SYSTEM FEATURES

- UL listed for Fire Protective Signaling UL 864 Fire Warning
- Up to 562 two-wire smoke detector or fire initiating zones
- Up to .5 Amps 12 VDC smoke and auxiliary output with OVC protection
- Up to .7 Amps 12 VDC supervised bell output
- Up to 506 fully-programmable Form C relays
- Serial 3 Digital Dialer or CID reporting to multiple receivers
- Eight communication paths between the panel and Central Station
- Built-in DB-9 RS-232 (XR500FC/XR500NFC) or LX-Bus (Selectable)
- Built-in remote or on-site feature upgrade capability
- Flash updateable: No more firmware chips to replace
- 2,000 event buffer
- Multi-lingual menus available

- Multiple on-board status LEDs
- Up to 100 output schedules to control relays and panel outputs
- 32 individual reporting areas, with common areas
- Output Groups: Maximum functionality–Minimum programming

#### XR100NFC/XR500NFC SYSTEM FEATURES

- All above listed System Features
- On-board Ethernet connection for Network Monitoring™
- Customizable check-in time and retry time
- Suitable for multi-site applications where the Internet or LAN/WAN is available

## XR100FC/XR500FC SERIES FIRE PANELS

The XR100FC/XR500FC Series provides basic fire monitoring for any single site application. The XR100NFC/XR500NFC panels provide all the same basic fire monitoring as the XR100FC/XR500FC enhanced by the on-board Ethernet connection that allows the use of Network Monitoring™. Both panels come fully assembled from the factory with the following components:

### CONTROL PANEL

The XR100FC/XR500FC Series addressable fire panel provides complete system control for local NAC operation and DACT or NET communication to the central station. The microprocessor based panel also provides input for Class A zone expansion, conventional and addressable smoke detectors, pull stations, and heat detectors.

### ENCLOSURE

The enclosure is comprised of cold rolled steel in Red to distinguish it for fire operation. For added security, the enclosure comes with a lock and key.

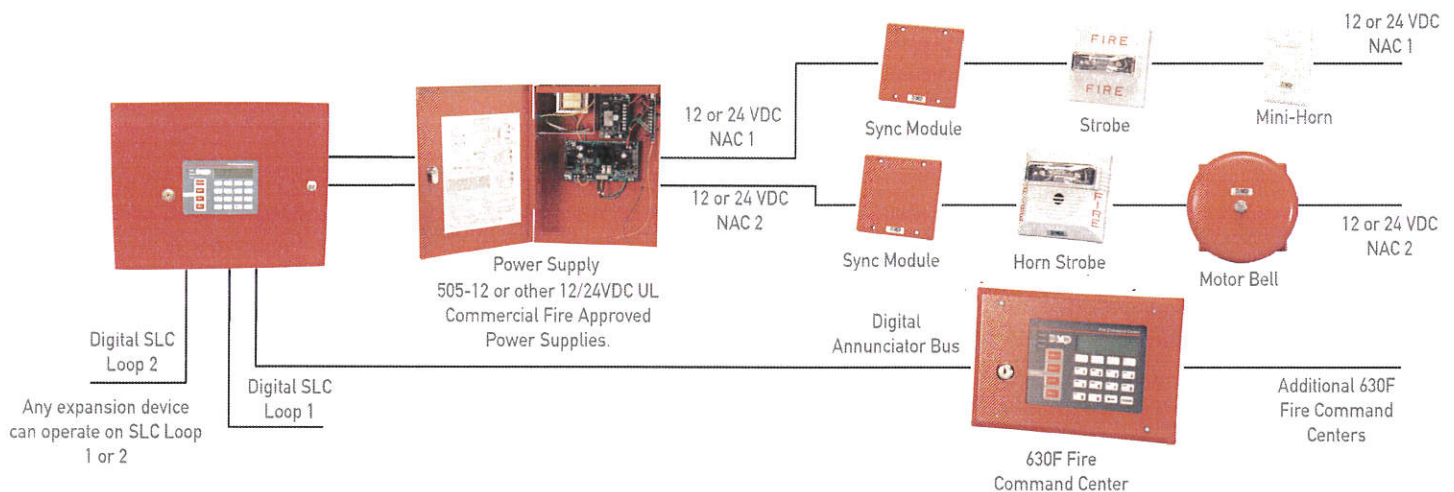
### KEYPAD ANNUNCIATOR

The Fire Command Center mounted in the door offers a 32-character full text LCD readout that displays system events and menu prompts, making it efficient and easy-to-use.

### TRANSFORMER AND ENCLOSURE

The 16 VAC, 56 VA wire-in transformer is factory installed and features a built-in PTC for power circuit protection.

## XR100FC/XR500FC TYPICAL NOTIFICATION/ANNUNCIATION



### FLEXIBLE COMMUNICATION

The XR100NFC/XR500NFC has transitioned from dialer-focused communications to a true network and cellular communications approach by providing stronger, multi-layered panel communications that ensure a constant link between the panel and Central Station. Installers have the ability to create, configure and manage up to eight communication paths.

The unique DMP Serial 3 format supports 16 or 32-character user, zone and area names to decrease the central station response time and limit dependence on automation literal tables for message conversion.

### NETWORK OR CELLULAR COMMUNICATION

Built-in Ethernet Communications enhance network options and provide Standard and Encrypted Line Security. Both UDP and TCP are supported. The network option can be used as the primary or backup path to the digital dialer or cellular option.

The XR500FC Command Processor Panel used with the 463G Digital Cellular Communicator has earned the UL 864 listing when used as the primary path (no backup required) for commercial fire installations per NPFA 72. The check-in and fail time settings are programmed for five minutes. As the backup path, the 463G provides the security of a communication link that continues to function, even when land lines are cut or

compromised. This interface works on digital cellular GSM/GPRS data networks over a variety of carriers in the USA and Canada.

For XR500FC Series Fire Panels, The 463G plug-in Digital Cellular Communicator can be used as the primary path, providing installation flexibility where no land lines are available. Can be used as a stand-alone communicator without the need for a backup. Used as the backup path, the 463G provides the security of a communication link that continues to function, even when land lines are cut or compromised. This interface works on digital Cellular GSM/GPRS data networks over a variety of carriers in the USA and Canada.

## EIGHT COMMUNICATION PATHS

Create, configure, and manage up to eight communication paths between the panel and Central Station. Each path has its own panel communication programming parameters, and can be identified as either primary or backup. This enables installers to configure a reliable communication link, offering greater confidence that the panel will always be connected to the Central Station.

## COMMUNICATION FUNCTION DIAGNOSTICS

The enhanced diagnostic menu enables technicians to check network and cellular communication status, cell signal strength, and email status from the keypad.

## FIRE ZONE PROGRAMMING

Program zones for fire, fire verify, fire retard, presignal, cross zoning, or fire supervisory. This flexibility allows the ability to match individual zone characteristics to the needs of any area in the fire installation.

## ZONE EXPANSION

The FC Series provides up to 562 zones, programmable for a variety of fire applications. The system provides Class B 12 VDC powered zones, two on-board and four on the 715 Module, plus eight panel burglary zones. Up to 60 zones are available on 15 keypad addresses and up to 100 zones are available on the built-in LX-Bus™. Add up to 500 zones using Expansion Modules.

## FIRE VERIFY

Used primarily for smoke detector circuits to verify the existence of an actual fire condition. When a Fire Verify zone initiates an alarm, the panel performs a Sensor Reset. If any Fire Verify zone initiates an alarm within 120 seconds after the reset, an alarm is indicated. If an alarm is initiated after another 120 seconds, the cycle is repeated.

## NOTIFICATION CIRCUIT EXPANSION

Easily add NAC outputs to the XR100FC/XR500FC system. Up to three Class B modules can be mounted within the FACP. Model 865 or 866 Class B NAC Modules may be combined with a power supply to provide additional 4 Amp NAC outputs. Use an 867 on the SLC Loop to further expand NAC circuits.

## FIRE DRILL AND ONE-MAN WALK TEST

Users can test fire notification bells using the Fire Drill feature. A special code is also available for installers to test the system. The one-man walk test feature allows a single technician to check the panel response to fire, burglary, panic and supervisory zones.

## BUILT-IN PROGRAMMER AND DIAGNOSTICS

No programming device is required, enabling installers and service technicians to fully program the system and run diagnostics from any DMP LCD keypad. Check the electrical state of zones, find individual zone numbers, check the LX-Bus for Missing, Overlapping and/or Extra zones, and much more, all from any DMP LCD keypad.

## FLASH UPDATEABLE

The XR100FC/XR500FC Series panel accepts software updates from a remote location using Remote Link™ software. When new XR100FC/XR500FC feature updates release, perform the flash update remotely.

## OUTPUTS

The XR100FC/XR500FC series allows the use of two SPDT relay outputs and four open collector outputs, that may be activated by zone or system events, by schedule, through the User Menu or when a card is presented. Output Groups allow multiple outputs to activate with a single event and/or can be assigned to a particular user profile up to 500 outputs on the LX-Bus when optional output expanders are used.

## OUTPUT SCHEDULES

Achieve maximum system flexibility with 100 programmable schedules that simplify planning and operations. Control any contact-activated device with schedules that automatically regulate relays and switched-ground outputs.

## MULTI-LINGUAL DISPLAYS

For additional flexibility, keypads attached to the XR100FC/XR500FC Series panels can display keypad Status List and User Menu text using multiple languages. The user has the option to select the language to use.

## STATUS LIST

To provide maximum system flexibility, fire zones may be programmed to display at a specific keypad. In this manner, all fire zones can be monitored in one location and other zones can be programmed to display and be monitored at different keypad locations.

## 2,000 EVENT MEMORY

The Display Events feature allows users to view up to 2,000 stored fire events, zone events, user code and schedule changes, and supervisory events.

## REMOTE LINK

The Remote Link programming software takes advantage of the easy-to-use simplicity of Microsoft® Windows™. The XR100FC/XR500FC Series include an interface connection for installers to use to connect a laptop computer.

# XR100FC/XR500FC

## KEYPADS

630F LCD Remote Fire Command

## EXPANSION MODULES

710 Bus Splitter/Repeater

711 Single Zone Expansion

714 4-zone Class-B Expansion

714-8 8-zone Class-B Expansion

714-16 16-zone Class-B Expansion

715 4-zone 2-wire smoke Expansion

715-8 8-zone 2-wire smoke Expansion

715-16 16-zone 2-wire smoke Expansion

716 Output Expansion,  
4 Form C relays,  
4 open collector outputs

717 Graphic Annunciator: 20 open  
collector outputs

## INTERFACE CARDS

461 Interface Adaptor Card

462N Network Interface Card

462P Printer Interface Card

463G Cellular Communicator

481 Expansion Interface Card

## AUXILIARY MODULES

860 Relay Output Module

865 Style W/X Notification Circuit  
Module

866 Style W Notification Circuit  
Module

867 LX-Bus Notification Circuit  
Module

869 Style D Class A Initiating Circuit  
Module

893A Dual Phone Line Module

## POWER SUPPLIES

505-12/LX 5 Amps @ 12 VDC

505-12L 5 Amps @ 12 VDC

505-12A 5 Amps @ 12 VDC

## PULL STATIONS

850 Series Pull Stations

## SMOKE/HEAT DETECTORS

SLR-835B Smoke/Heat

521B/BXT Conventional Smoke, CleanMe

521LX/LXT Addressable Smoke/Heat,  
CleanMe

## ACCESSORIES

300 Four-wire Harness

303 Silence/Reset Push-Button

305 Plug-in Output Relay

306 Tamper Harness

307-S Screw-On Tamper Switch

3012 Clip-On Tamper Switch

335 Intrusion Siren

370 Lightning Suppressor

374 Surge Voltage Suppressor

431 Output Harness

861 Power Distribution Module

## CENTRAL STATION RECEIVERS

SCS-1R Network Enabled Receiver

## DMP WIRELESS

1100X Receiver

1100XH High Power Receiver

1100R Repeater

1103 Universal Transmitter,  
External Contact

1165 Commercial Smoke  
Detector

1165H Commercial Smoke/Heat  
Detector

1165HS Commercial Smoke/Heat  
Detector with Sounder

1181 Post Indicator Valve (UL)

1182 Outside Screw and Yoke Valve  
Supervisory Switch (UL)



## XR100FC/XR500FC PACKAGES

PKG-XR100FC Includes: XR100FC-R,  
866, 893A, 318, (2) 356-7,  
and (2) 358.

PKG-XR100NFC Includes: XR100NFC-R,  
866, 893A, 318, (2) 356-7,  
and (2) 358.

PKG-XR500FC Includes: XR500FC-R,  
866, 893A, 318, (2) 356-7,  
and (2) 358

PKG-XR500NFC Includes: XR500NFC-R,  
866, 893A, 318, (2) 356-7,  
and (2) 358

## SYSTEM SPECIFICATIONS

Primary Power (included) 16 VAC 56 VA transformer

Secondary Power 12 VDC Battery  
Models 365, 366, 367, 368 or 369

Output Rating

Bell Up to .7 Amps at 12 VDC

Smoke and Auxiliary Up to .5 Amps at 12 VDC

For UL installations, total bell, smoke, and auxiliary cannot  
exceed 1.2 Amps using a 56 VA transformer.

Current Draw 180mA

Enclosure:

Material Cold-rolled steel (Red)  
Model 350 17.1" W x 13.44" H x 4.8" D

## ORDERING INFORMATION

XR100FC-R XR100 Fire Control Panel

XR100NFC-R XR100 Fire Control Panel with  
Network

XR500FC-R XR500 Fire Control Panel

XR500NFC-R XR500 Fire Control Panel with  
Network

## LISTINGS AND APPROVALS

Refer to the XR100FC and XR500FC Series Installation Guides (LT-1087,  
LT-1088), XR100FC and XR500FC Series Programming Guides (LT-0896,  
LT-0679) and specific compliance listings for installation and programming  
requirements necessary to meet a particular approval.

California State Fire Marshall (CSFM)

FCC Part 15

FCC Part 68 Registration ID CCKAL00BXR500

New York City (FDNY COA #6055)

Underwriters Laboratories (UL) Listed  
ANSI/UL 864 Fire Protective Signaling

For additional information, access [www.dmp.com](http://www.dmp.com) and select Compliance.

© 2011 Digital Monitoring Products, Inc. | LT-1110 | 4/11



Intrusion | Fire | Access | Network | Cellular

2500 North Partnership Boulevard  
Springfield, Missouri 65803-8877

800.641.4282 | [dmp.com](http://dmp.com)  
Made in the USA



Search dmpalarms

## Fire annunciation solutions —

SIGNALING



FDNY



DMP Fire Command Keypads provide a variety of fire annunciation solutions for residential and commercial fire applications.

The 630F provides 32-character full text LCD display of system events and menu prompts for efficient, easy use.

The keypad offers simple, one-button access to common features, including:

- Silence alarms
- Reset sensors
- Test the system
- Perform a fire drill

## 630F DMP FIRE COMMAND KEYPAD

### FEATURES

- Simple harness connection to 4-wire keypad bus
- At-a-glance system status
- Powered from panel or auxiliary power supply
- Optional backboxes for conduit or wall mount applications
- Attractive non-obtrusive designs
- 2-button Panic keys
- 32-character LCD display
- Flush or Surface mount
- Keyswitch enables single button operation
- Full operation with authorized code
- Built-in diagnostics
- AC Power, Trouble, Alarm LED
- Compatible with XR100/XR500 Series
- System events display in plain English



Digital Monitoring Products

# 630F Fire Command Keypad

## 630F REMOTE ANNUNCIATOR

The 630F Fire Command Center offers a 32-character full text LCD readout that displays system events and menu prompts, making it efficient and easy-to-use. The backbox and trim frame provide an attractive installation. The keypad can either be flush-mounted or surface-mounted.



630F Keypad

## SINGLE-BUTTON OPERATION

The 630F Fire Command Center has a factory installed keyswitch that enables the four function buttons—Alarm Silence, System Reset, System Test, and Fire Drill. The user can also access these four functions and many more through the User Menu by entering a valid user code.

## BUILT-IN DIAGNOSTICS

An internal diagnostics program lets installers and service technicians test the operation of the keypad at any time without disabling the system.

## SUPERVISED AND UNSUPERVISED OPERATION

The 630F keypad can be programmed for supervised or unsupervised operation on the keypad data bus, increasing the overall number of keypads you can install to provide maximum flexibility. When supervised, the keypad occupies its own address. Unsupervised operation allows you to install multiple keypads on the bus with the same address.

## STATUS LEDs

The Green Power LED turns on when primary AC or DC power to the panel is at an acceptable level and flashes when its battery is low or missing.

A Yellow Trouble LED turns on when either the panel has failed to communicate with the central station receiver or when phone line 1 or 2 is in a bad condition.

## 630F SPECIFICATIONS

Operating Voltage	8.5 to 15 VDC
Current Draw	63mA standby 92mA maximum
Trim Frame Dimensions	10.4" W x 7.0" H x 1.7" D
Backbox Dimensions	8.75" W x 6.375" H x 2.5" D
Panel Compatibility	XR100 and XR500 Series Panels

## KEYPAD ACCESSORIES

635	1.75" 630F Alternate Surface Mount Backbox
635F	2.5" 630F Flush Mount Replacement Backbox
300	4-wire Replacement Harness

## LISTINGS AND APPROVALS

California State Fire Marshal (CSFM)  
New York City (FDNY COA #6055)  
FCC Part 15  
Underwriters Laboratories (UL) Listed  
ANSI/UL 864 Control Units for Fire Protective Signaling  
ANSI/UL 985 Household Fire Warning  
For additional information, access [www.dmp.com](http://www.dmp.com) and select Compliance.



Intrusion | Fire | Access | Network | Cellular

2500 North Partnership Boulevard  
Springfield, Missouri 65803-8877

800.641.4282 | [dmp.com](http://dmp.com)  
Made in the USA

© 2012 Digital Monitoring Products, Inc. | LT-0318 | 04/12





*Simple operation  
provides instant  
alarm*

The 850 Series Fire Alarm Pull stations offer quick and simple operation that's economical and reliable.

- Available in single or dual-action manual pulls
- SPST contacts and terminal strip connections
- Gold-plated contacts to avoid the risk of corrosion

## FIRE ALARM PULL STATIONS 850S & 850D

### FEATURES

- Approvals: UL and CSFM
- Americans with Disabilities Act (ADA) compliant
- Die-cast metal construction
- Reset key
- Mounts on standard single-gang box
- Optional surface and weatherproof backboxes available
- High-gloss red enamel finish
- Scored acrylic breakrod



# SERIES 850 FIRE ALARM PULL STATION

## DESCRIPTION

The DMP 850 Series Fire Alarm Pull Station is a high quality, die-cast metal manual pull station available in either single-action or dual-action configurations with SPST contacts and terminal strip connections. The normally open contact, which closes when the pull station is activated, is rated for 1 Amp @ 30 VDC. The contacts are gold-plated to avoid corrosion risks.

Scored acrylic breakrods are used with the 850 series.

## COMPLIANCE

The 850 series has been tested by UL for compliance to the latest requirements of the ADA.

## MOUNTING OPTIONS

A variety of mounting options are available for the 850 series. It can be flush mounted to a standard single gang switch box or surface mounted in two optional configurations. The Model 850-SB Interior Surface Backbox or the Model 850-WP Weatherproof Backbox both allow conduit connection to the 850 Series Pull Stations.

## 850S OPERATION

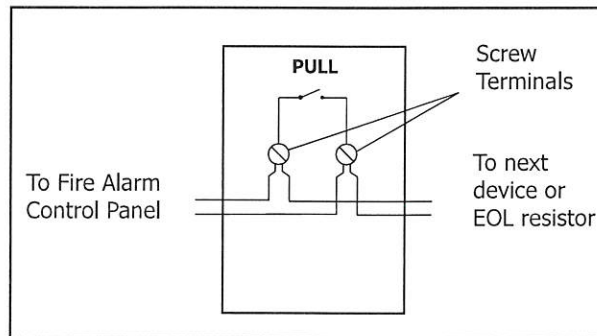
The Model 850S Single Action Pull Station is operated by pulling the handle on the front of the station as far down as it goes. When the handle locks into place it is easily visible from up to 50 feet. Reset the handle by opening the station with the supplied key, placing the handle in the normal upright position and re-locking the station.

## 850D OPERATION

On the Model 850D Dual Action Pull Station, the push bar rotates inward allowing the PULL handle to be grasped in a one handed motion.

## ADDRESSABLE ZONE

To create an addressable reporting zone for the 850 Series, install a Model 711 Zone Expansion module.



Model 850 Wiring Diagram

## SPECIFICATIONS

Switch Rating	1 Amp @ 30 VDC
Dimensions	4.75" H x 3.25" W x 2.25" D
Color	Red w/raised white letters, white PULL handle w/raised red letters

## COMPATIBILITY

The 850 Series Fire Pull Station is compatible with all DMP Command Processors.

## ORDERING INFORMATION

850S	Single-action pull station
850D	Dual-action pull station
850-SB	Interior surface sheetmetal backbox
850-WP	Weatherproof surface die-cast backbox
850-AR	Scored acrylic breakrods (1 dozen)
850S/711	Single-action pull station w/addressable module
850D/711	Dual-action pull station w/addressable module

**Note:** All models are supplied with one scored acrylic breakrod and one key.



800-641-4282

www.dmp.com

Made in the USA

INTRUSION • FIRE • ACCESS • NETWORKS

2500 North Partnership Boulevard

Springfield, Missouri 65803-8877

## *Conventional meets Analog*



The 521LX and LXT Smoke Detectors are the industry's first conventional smoke detectors with analog features.

- Remote maintenance reporting (CleanMe™)
- Drift compensation
- Multi-criteria detection
- Single-zone, addressable module allowing LX-Bus™ connection

The 521LXT also includes a heat sensor for fire detection. The multi-criteria, fast response, heat detector algorithms allow the 521LXT to give fast responses to a broad range of fires.

## **521LX & 521LXT PHOTOELECTRIC SMOKE DETECTORS**

### **FEATURES**

- CleanMe™ remote maintenance reporting reduces false alarms
- Built-in drift compensation to reduce false alarms
- Field replaceable optical chamber for easy servicing
- LED indicates normal or CleanMe™ condition
- Easy 4-wire LX-Bus™ connection
- 521LXT includes multi-criteria heat detector
- Proven design ensures stability and performance
- Easy rotary addressing; no difficult binary switches

## CLEANME™ REMOTE MAINTENANCE/TROUBLE REPORTING FEATURE

The 521LX/521LXT has a unique feature that allows the unit to send a signal when the smoke chamber has surpassed the UL Listed sensitivity range or if a hardware fault exists. In most cases the signal comes from the detectors becoming dirty over time and, as a result, are over-sensitive. This condition could cause false alarms.

The CleanMe™ signal enables the panel to receive a service signal, allowing an installer time to clean the detector by replacing an inexpensive optical chamber with a new one. This service information can also be transmitted to the central station.

## DRIFT COMPENSATION BUILT-IN

Built-in drift compensation means the 521LX/521LXT detectors automatically adjust their sensitivity, up to a maximum of 1.0% per foot, as they become dirty. This feature increases immunity to dust and dirt by 30-50%.

## SENSITIVITY LEVEL TEST MODE

Each unit also includes a special sensitivity level test mode that is activated by holding a magnet near the internal reed switch for more than one second. Once the routine starts, the alarm LED flashes from one to nine times, indicating the actual unit sensitivity and whether service is required.

## COMPATIBLE WITH LX-BUS™ SYSTEMS

The 521LX/521LXT can be used on the LX-Bus™ of the XR2500F and XR100/XR500 Series Command Processor™ Panels. Each detector connects to the 4-wire bus and uses one zone address. Addressing the detectors is simple using the two on-board rotary switches and a small slotted screwdriver. Up to 100 individual detectors can be supervised on one DMP LX-Bus™. More than 40 detectors requires a Model 710 Bus Splitter/ Repeater Module.

## HEAT DETECTOR IN 521LXT

The multi-criteria 521LXT photoelectric smoke detector also features a fixed rate-of-rise heat detector. The rate-of-rise detector includes fast response algorithms for a quick response to both flaming and smoldering fires. Fast response algorithms allow the heat detectors to work intelligently together with the photoelectric smoke detector. As soon as the heat sensor detects a rapid rise in temperature, the sensitivity of the photoelectric sensor increases allowing it to detect smaller particles of combustion faster.

### SPECIFICATIONS

Operating Range	8.8 to 15.0 VDC
Standby Current	8.8mA
Alarm Current	28mA
Maximum Ripple	10% ( $V_{p-p}$ ) peak to peak
Sensitivity Photoelectric	3.1% + 0.50 to 1.00%
Operating Temperature	32°F to 100°F
Humidity Range	0 to 95% non-condensing
RFI Immunity	20V/m minimum; 0 to 1000MHz
Heat Sensor (LXT Only)	
Rate-of-Rise	15°F/min and > 105°F
Fixed	135°F
Rate of Rise	15°F/min and > 105°F
Power Up Time	15 seconds
Drift Compensation	1.0%/ft. max.
Detector Head Dimensions	5" Diameter, 2" Height
Mounting Dimensions	4.75" Diameter, .3" Height
Color	White

### LISTINGS AND APPROVALS

- California State Fire Marshal (CSFM)
- UL 268

### COMPATIBILITY

The 521LX/521LXT Smoke Detectors are compatible with the following panels:

- XR2500F Addressable Fire Alarm Control Panel
- XR100/XR500 Series Command Processor™ Panels

### ACCESSORIES

521LXTPCB Replacement Smoke Detector Board	
525 Replacement Optical Chamber	
526 Smoke! in a Can	



800-641-4282

www.dmp.com

Made in the USA

INTRUSION • FIRE • ACCESS • NETWORKS

2500 North Partnership Boulevard

Springfield, Missouri 65803-8877





## Indoor Selectable-Output Horns, Strobes, and Horn Strobes for Wall Applications

*SpectrAlert® Advance audible visible notification products are rich with features guaranteed to cut installation times and maximize profits.*



**SPECTRAlert**  
ADVANCE  
from System Sensor

### Features

- Plug-in design with minimal intrusion into the back box
- Tamper-resistant construction
- Automatic selection of 12- or 24-volt operation at 15 and 15/75 candela
- Field-selectable candela settings on wall units: 15, 15/75, 30, 75, 95, 110, 115, 135, 150, 177, and 185
- Horn rated at 88+ dBA at 16 volts
- Rotary switch for horn tone and three volume selections
- Universal mounting plate for wall units
- Mounting plate shorting spring checks wiring continuity before device installation
- Electrically Compatible with legacy SpectrAlert devices
- Compatible with MDL sync module
- Listed for ceiling or wall mounting

**The SpectrAlert Advance series** offers the most versatile and easy-to-use line of horns, strobes, and horn strobes in the industry. With white and red plastic housings, wall and ceiling mounting options, and plain and FIRE-printed devices, SpectrAlert Advance can meet virtually any application requirement.

Like the entire SpectrAlert Advance product line, wall-mount horns, strobes, and horn strobes include a variety of features that increase their application versatility while simplifying installation. All devices feature plug-in designs with minimal intrusion into the back box, making installations fast and foolproof while virtually eliminating costly and time-consuming ground faults.

To further simplify installation and protect devices from construction damage, SpectrAlert Advance utilizes a universal mounting plate with an onboard shorting spring, so installers can test wiring continuity before the device is installed.

Installers can also easily adapt devices to suit a wide range of application requirements using field-selectable candela settings, automatic selection of 12- or 24-volt operation, and a rotary switch for horn tones with three volume selections.

### Agency Listings

SIGNALING



S4011 (chimes, horn strobes, horns)  
S5512 (strobes)



3023572

**MEA**  
approved

MEA452-05-E



7125-1653-186 (indoor strobes)  
7125-1653-188 (horn strobes,  
chime strobes)  
7135-1653-189 (horns, chimes)

# SpectrAlert Advance Specifications

## Architect/Engineer Specifications

### General

SpectrAlert Advance horns, strobes, and horn strobes shall mount to a standard 4 × 4 × 1½-inch back box, 4-inch octagon back box, or double-gang back box. Two-wire products shall also mount to a single-gang 2 × 4 × 17/8-inch back box. A universal mounting plate shall be used for mounting ceiling and wall products. The notification appliance circuit wiring shall terminate at the universal mounting plate. Also, SpectrAlert Advance products, when used with the Sync•Circuit™ Module accessory, shall be powered from a non-coded notification appliance circuit output and shall operate on a nominal 12 or 24 volts. When used with the Sync•Circuit Module, 12-volt-rated notification appliance circuit outputs shall operate between 8 and 17.5 volts; 24-volt-rated notification appliance circuit outputs shall operate between 16 and 33 volts. Indoor SpectrAlert Advance products shall operate between 32 and 120 degrees Fahrenheit from a regulated DC or full-wave rectified unfiltered power supply. Strobes and horn strobes shall have field-selectable candela settings including 15, 15/75, 30, 75, 95, 110, 115, 135, 150, 177, and 185.

### Strobe

The strobe shall be a System Sensor SpectrAlert Advance Model \_\_\_\_\_ listed to UL 1971 and shall be approved for fire protective service. The strobe shall be wired as a primary-signaling notification appliance and comply with the Americans with Disabilities Act requirements for visible signaling appliances, flashing at 1 Hz over the strobe's entire operating voltage range. The strobe light shall consist of a xenon flash tube and associated lens/reflector system.

### Horn Strobe Combination

The horn strobe shall be a System Sensor SpectrAlert Advance Model \_\_\_\_\_ listed to UL 1971 and UL 464 and shall be approved for fire protective service. The horn strobe shall be wired as a primary-signaling notification appliance and comply with the Americans with Disabilities Act requirements for visible signaling appliances, flashing at 1 Hz over the strobe's entire operating voltage range. The strobe light shall consist of a xenon flash tube and associated lens/reflector system. The horn shall have three audibility options and an option to switch between a temporal three pattern and a non-temporal (continuous) pattern. These options are set by a multiple position switch. On four-wire products, the strobe shall be powered independently of the sounder. The horn on horn strobe models shall operate on a coded or non-coded power supply.

### Synchronization Module

The module shall be a System Sensor Sync•Circuit model MDL listed to UL 464 and shall be approved for fire protective service. The module shall synchronize SpectrAlert strobes at 1 Hz and horns at temporal three. Also, while operating the strobes, the module shall silence the horns on horn strobe models over a single pair of wires. The module shall mount to a 411/16 × 411/16 × 21/8-inch back box. The module shall also control two Style Y (class B) circuits or one Style Z (class A) circuit. The module shall synchronize multiple zones. Daisy chaining two or more synchronization modules together will synchronize all the zones they control. The module shall not operate on a coded power supply.

## Physical/Electrical Specifications

Standard Operating Temperature	32°F to 120°F (0°C to 49°C)
Humidity Range	10 to 93% non-condensing
Strobe Flash Rate	1 flash per second
Nominal Voltage	Regulated 12 DC/FWR or regulated 24 DC/FWR <sup>1</sup>
Operating Voltage Range <sup>2</sup>	8 to 17.5 V (12 V nominal) or 16 to 33 V (24 V nominal)
Input Terminal Wire Gauge	12 to 18 AWG
Wall-Mount Dimensions (including lens)	5.6" L × 4.7" W × 2.5" D (142 mm L × 119 mm W × 64 mm D)
Horn Dimensions	5.6" L × 4.7" W × 1.3" D (142 mm L × 119 mm W × 33 mm D)
Wall-Mount Back Box Skirt Dimensions (BBS-2, BBSW-2)	5.9" L × 5.0" W × 2.2" D (151 mm L × 128 mm W × 56 mm D)
Wall-Mount Trim Ring Dimensions (sold as a 5 pack) (TR-HS, TRW-HS)	5.7" L × 4.8" W × 0.35" D (145 mm L × 122 mm W × 9 mm D)

### Notes:

1. Full Wave Rectified (FWR) voltage is a non-regulated, time-varying power source that is used on some power supply and panel outputs.
2. P, S, PC, and SC products will operate at 12 V nominal only for 15 and 15/75 cd.

## UL Current Draw Data

### UL Max. Strobe Current Draw (mA RMS)

	Candela	8–17.5 Volts		16–33 Volts	
		DC	FWR	DC	FWR
<b>Standard Candela Range</b>	15	123	128	66	71
	15/75	142	148	77	81
	30	NA	NA	94	96
	75	NA	NA	158	153
	95	NA	NA	181	176
	110	NA	NA	202	195
<b>High Candela Range</b>	115	NA	NA	210	205
	135	NA	NA	228	207
	150	NA	NA	246	220
	177	NA	NA	281	251
	185	NA	NA	286	258

### UL Max. Horn Current Draw (mA RMS)

Sound Pattern	dB	8–17.5 Volts		16–33 Volts	
		DC	FWR	DC	FWR
Temporal	High	57	55	69	75
Temporal	Medium	44	49	58	69
Temporal	Low	38	44	44	48
Non-temporal	High	57	56	69	75
Non-temporal	Medium	42	50	60	69
Non-temporal	Low	41	44	50	50
Coded	High	57	55	69	75
Coded	Medium	44	51	56	69
Coded	Low	40	46	52	50

### UL Max. Current Draw (mA RMS), 2-Wire Horn Strobe, Standard Candela Range (15–115 cd)

DC Input	8–17.5 Volts		16–33 Volts		30	75	95	110	115
	15	15/75	15	15/75					
Temporal High	137	147	79	90	107	176	194	212	218
Temporal Medium	132	144	69	80	97	157	182	201	210
Temporal Low	132	143	66	77	93	154	179	198	207
Non-Temporal High	141	152	91	100	116	176	201	221	229
Non-Temporal Medium	133	145	75	85	102	163	187	207	216
Non-Temporal Low	131	144	68	79	96	156	182	201	210
<b>FWR Input</b>									
Temporal High	136	155	88	97	112	168	190	210	218
Temporal Medium	129	152	78	88	103	160	184	202	206
Temporal Low	129	151	76	86	101	160	184	194	201
Non-Temporal High	142	161	103	112	126	181	203	221	229
Non-Temporal Medium	134	155	85	95	110	166	189	208	216
Non-Temporal Low	132	154	80	90	105	161	184	202	211

### UL Max. Current Draw (mA RMS), 2-Wire Horn Strobe, High Candela Range (135–185 cd)

DC Input	16–33 Volts				FWR Input	16–33 Volts			
	135	150	177	185		135	150	177	185
Temporal High	245	259	290	297	Temporal High	215	231	258	265
Temporal Medium	235	253	288	297	Temporal Medium	209	224	250	258
Temporal Low	232	251	282	292	Temporal Low	207	221	248	256
Non-Temporal High	255	270	303	309	Non-Temporal High	233	248	275	281
Non-Temporal Medium	242	259	293	299	Non-Temporal Medium	219	232	262	267
Non-Temporal Low	238	254	291	295	Non-Temporal Low	214	229	256	262

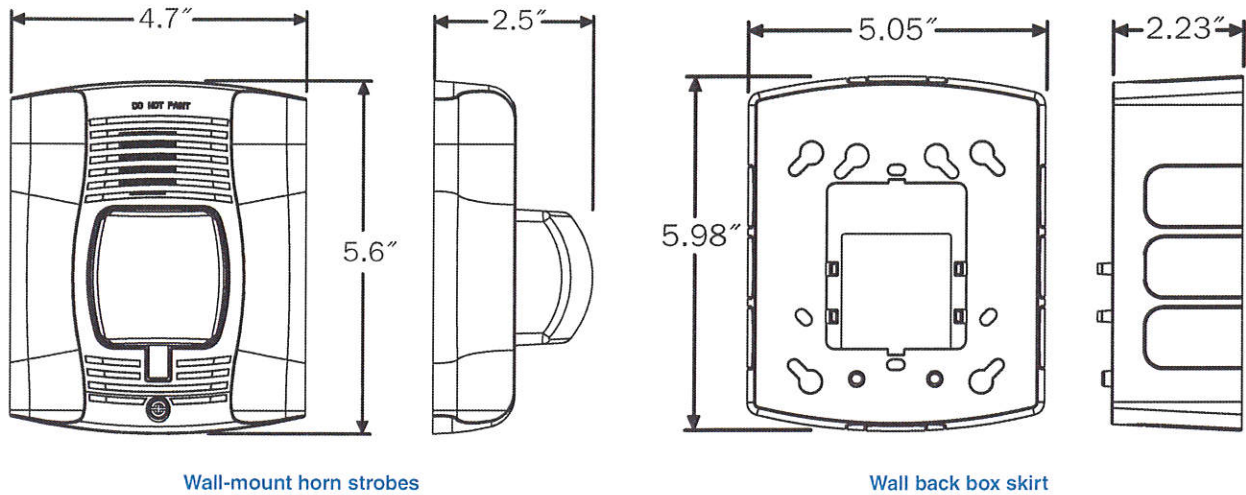
## Horn Tones and Sound Output Data

### Horn and Horn Strobe Output (dBA)

Switch Position	Sound Pattern	dB	8–17.5 Volts		16–33 Volts		24-Volt Nominal			
							Reverberant		Anechoic	
			DC	FWR	DC	FWR	DC	FWR	DC	FWR
1	Temporal	High	78	78	84	84	88	88	99	98
2	Temporal	Medium	74	74	80	80	86	86	96	96
3	Temporal	Low	71	73	76	76	83	80	94	89
4	Non-Temporal	High	82	82	88	88	93	92	100	100
5	Non-Temporal	Medium	78	78	85	85	90	90	98	98
6	Non-Temporal	Low	75	75	81	81	88	84	96	92
7†	Coded	High	82	82	88	88	93	92	101	101
8†	Coded	Medium	78	78	85	85	90	90	97	98
9†	Coded	Low	75	75	81	81	88	85	96	92

†Settings 7, 8, and 9 are not available on 2-wire horn strobes.

## SpectrAlert Advance Dimensions



Wall-mount horn strobes

Wall back box skirt

## SpectrAlert Advance Ordering Information

Model	Description
<b>Wall Horn Strobes</b>	
P2R†	2-Wire Horn Strobe, Standard cd‡, Red
P2RH*	2-Wire Horn Strobe, High cd, Red
P2W*	2-Wire Horn Strobe, Standard cd, White
P2WH*	2-Wire Horn Strobe, High cd, White
P4R*	4-Wire Horn Strobe, Standard cd, Red
P4RH	4-Wire Horn Strobe, High cd, Red
P4W	4-Wire Horn Strobe, Standard cd, White
<b>Wall Strobes</b>	
SR*†	Strobe, Standard cd, Red
SRH*†	Strobe, High cd, Red
SW*	Strobe, Standard cd, White
SWH*	Strobe, High cd, White

Model	Description
<b>Horns</b>	
HR	Horn, Red
HW	Horn, White
<b>Accessories</b>	
BBS-2	Back Box Skirt, Wall, Red
BBSW-2	Back Box Skirt, Wall, White
TR-HS	Trim Ring, Wall, Red
TRW-HS	Trim Ring, Wall White

### Notes:

\* Add "-P" to model number for plain housing (no "FIRE" marking on cover), e.g., P2R-P.

† Add "-SP" to model number for "FUEGO" marking on cover, e.g., P2R-SP.

‡ "Standard cd" refers to strobes that include 15, 15/75, 30, 75, 95, 110, and 115 candela settings. "High cd" refers to strobes that include 135, 150, 177, and 185 candela settings.



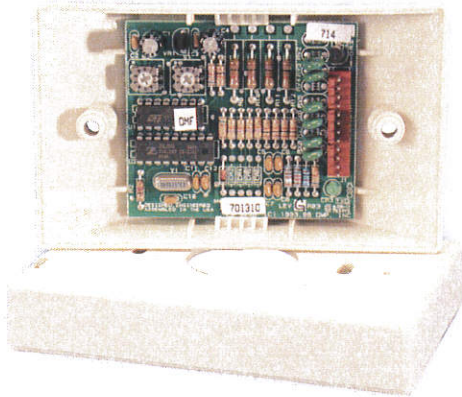
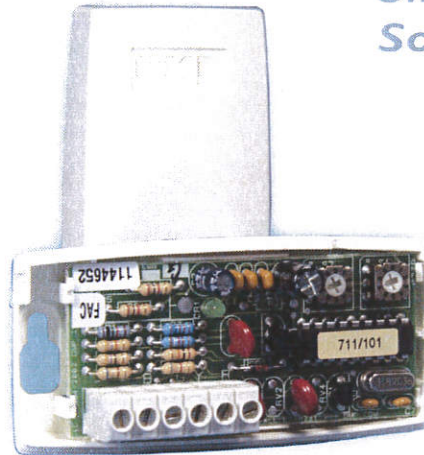
3825 Ohio Avenue • St. Charles, IL 60174  
Phone: 800-SENSOR2 • Fax: 630-377-6495

©2012 System Sensor.  
Product specifications subject to change without notice. Visit [systemsensorm.com](http://systemsensorm.com)  
for current product information, including the latest version of this data sheet.  
AVDS00601 • 3/12

# SPEC SHEET



## Simple Expansion Solutions



Expand your DMP panel options with a wide array of expansion modules.

- Add supervised Class B burglary zones.
- Connect non-powered burglary or fire type devices for intrusion, glassbreak, and motion detection.
- Add 12 VDC zones for addressable 2-wire smoke detectors with 715 modules.

## ZONE EXPANSION MODULES: SINGLE AND MULTIPLE POINT

### ZONE EXPANSION MODULE FEATURES

- Provides Class B zones for burglary and fire
- Compatible with DMP Panels that allow zone expansion
- Suitable for mounting near protection devices
- Connect devices using 4-wire bus
- Easily mount attractive cases on wall or 3-gang box
- Compatible with all panel zone types
- Easy connection to 4-wire Keypad or LX-Bus™
- Proven design ensures stability and performance
- Data LED on zone expander indicates good panel communication
- Durable and attractive plastic or metal housing
- Low current draw
- Can be powered from panel or auxiliary power supply



## USE ON THE DMP LX-BUS™

The modules can be used on the LX-Bus™ of DMP Panels. The modules connect to the 4-wire bus and use only one zone address. To assign an additional zone expander use the next available zone address.

## CONNECT TO KEYPAD BUS

You can also use the modules as an addressed device on the keypad data bus of DMP Command Processor panels.

Simply set the module to an available keypad address and connect the wiring to the appropriate screw terminals.

## SIMPLE ADDRESSING

Address the 711, 714, 714-8, 714-16, 715, 715-8, and 715-16 modules by setting two on-board rotary switches with a small screwdriver. The 712-8 uses slide dip switches.

## EASY INSTALLATION

Zone Expansion Modules are mounted in a decorative plastic housing suitable for installing outside the panel enclosure, such as on walls or single gang boxes. After all wiring connections are made, the covers go on to form tight-fitting protection against incidental contact or tampering.

714-8, 714-16, 715-8, and 715-16 Zone Expanders are housed in a rugged, 20-gauge, cold-rolled steel enclosure.

You may also mount the 708 and 710 modules inside a DMP enclosure using the 3-hole configuration and the provided standoffs. The 712-8 only mounts using the 3-hole configuration and provided standoffs.

## ZONE PROGRAMMING

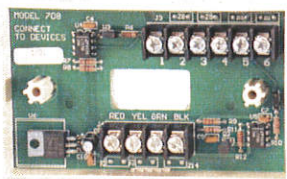
Program the zone on the modules with any of the panel's available zone types for use in burglary applications including Arming type zones when used with keyswitches.

The expansion zones are programmable for annunciation on DMP keypads connected to the panel. Each zone can also be individually programmed to report alarms, troubles, and restorals to remote DMP SCS-1R Receivers.

## 708 BUS EXTENDER MODULES

The 708 Bus Extender Modules allow you to increase the length of wire used to run an LX-Bus or keypad bus by a maximum of 4,000 feet, while providing immunity to noise on the wires. The 708 Bus Extenders are received from the factory as a pair of modules that connect between the panel and LX-Bus or keypad bus devices.

Use the 708 Modules for applications that include running wire over long distances, through noisy environments, or where the bus is bundled with other wires, such as telephone company wire. The 708 Extender can be used on all DMP panels.

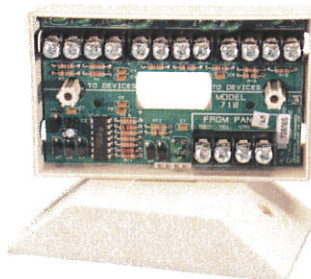


## 708 FEATURES

- Extends Keypad Bus or LX-Bus by 4000 feet with one pair of modules
- Connects to an auxiliary power supply for added power
- Uses existing wire: No need to run additional wire
- Allows twisted pair and/or shielded wire between the 708 modules

## 710 BUS SPLITTER/ REPEATER MODULE

The 710 Bus Splitter/Repeater Module allows you to expand the typical LX-Bus or Keypad bus installation both in the number of devices and the length of the wire used. Each 710 Module provides three bus connections each up to 2,500 feet. When using multiple modules, the total distance of all circuits can be an incredible 15,000 feet!



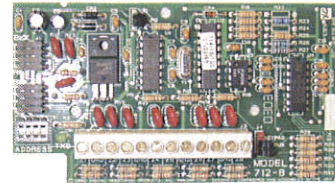
## 710

As a splitter, the 710 provides superior mechanical wire connecting capability for up to three additional 12 VDC LX-Bus or keypad bus circuits. This makes the 710 module an excellent junction box when terminating multiple LX-Bus/keypad bus runs at one location.

As a repeater, the 710 module can be installed at the end of an LX-Bus or keypad bus circuit to allow an additional circuit to be added, thus increasing the total wire length.

## 712-8 ZONE EXPANSION MODULE

Expand your system at an affordable price! You can connect non-powered burglary devices to DMP Command Processor panels using the 712-8 Module. The 712-8 Module is compatible with many intrusion contacts, glassbreak detectors, motion detectors, and intrusion detectors.



## 712-8 FEATURES

- Eight grounded, addressable burglary zones
- Set jumper for LX-Bus or Keypad bus operation
- Compatible with all DMP panels
- Expand systems by daisy chaining a second 712-8
- Easily address using dip switches
- Snaps into panel enclosure using 3-hole pattern
- Separate zone 1K End-of-Line resistors included

**714/715 ZONE EXPANDERS**

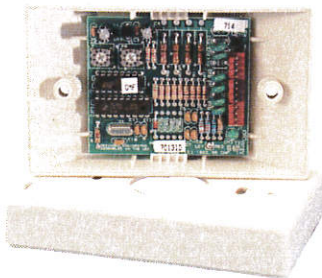
The 714 contains four Class B burglary zones and is suitable for use with burglary and fire devices that are normally opened or normally closed. Individual zones are supervised with 1k Ohm EOL resistors and can be programmed with any burglary or fire zone type.

The 715 contains four Class B powered zones and is suitable for use with 12 VDC, 2-wire smoke detectors and non-powered fire or burglary devices. Individual zones on the 715 are supervised with a 3.3k Ohm EOL resistor and can be programmed with any burglary or fire zone type.

**OPTIONAL ACCESSORIES**

The standard wiring harness can be replaced with the optional 718T Plug-in Screw Terminal.

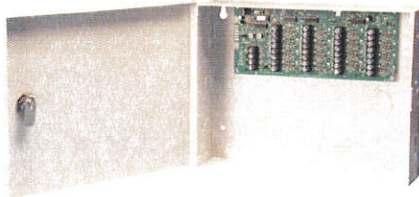
The enclosure can also accommodate the 719T Terminal Boards for the 714 or the 720T Terminal Boards for the 715, which pass through the wiring of the panel's LX-Bus. 1K EOL resistors are included with the 719T and 3.3K resistors are included with the 720T.

**714/715 FEATURES**

- Four protection zones on each module
- Comes with 12-conductor wire harness
- Optional 12-position screw terminal

**714-8, 714-16, 715-8, AND 715-16 DESCRIPTION**

The expanders are housed in a Model 340 locking metal enclosure suitable for mounting in a remote location. Each expander provides screw terminal strips for zone inputs and data bus connections, a two position jumper to designate connection to the keypad bus or the LX-Bus, and an LED to indicate communication with the panel. Separate zone End-of-Line resistors are included with each expander.

**714-8/714-16 EXPANDERS**

The 714-8 Expander contains 8 Class B zones. The 714-16 Expander contains 16 Class B zones. Both are suitable for use with normally open or normally closed burglary and fire devices. Individual zones are supervised with a 1k Ohm EOL resistor and can be programmed as any zone type.

**715-8/715-16 EXPANDERS**

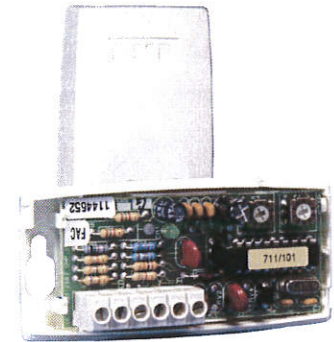
The 715-8 Expander contains 8 Class B powered zones. The 715-16 Expander contains 16 Class B powered zones. Both are suitable for use with 12 VDC 2-wire devices, such as smoke detectors or with non-powered fire or burglary devices. Individual zones are supervised with a 3.3k Ohm EOL resistor and can be programmed as any zone type.

**714-8, 714-16, 715-8, AND 715-16 FEATURES**

- 8 or 16 protection zones per expander
- Durable metal enclosure housing with lock and key
- Individual screw terminals accommodate 14 to 22 gauge wire for easy connection
- Suitable for mounting in a remote location

**711 DESCRIPTION**

The 711 Zone Expansion Module connects to the panel's 4-wire Keypad bus or LX-Bus and are set to an address that determines the reporting zone number. The 711 provides one Class B zone for the connection of detection devices.

**711 FEATURES**

- Single-zone expander
- Rugged screw terminals accommodate 14 to 22 AWG
- Board fits in Radionics POPIT housing
- Easy rotary switch addressing

# ZONE EXPANSION MODULES

## ZONE EXPANSION MODULE COMPARISON CHART

Refer to the chart below for a comparison of the features for each DMP Zone Expansion Module.

Module	Address	Number of Zones	3-Hole	Plastic Case	Operating Voltage	Compatible Panels
708	N/A	N/A	Yes	Yes	12 VDC	All DMP
710	N/A	N/A	Yes	Yes	12 VDC	
712-8	Dip Switch	8	Yes	No	12 VDC	XT Series and XR100/XR500 Series
711	Rotary	1	No	Yes	12 VDC	
714	Rotary	4 Class B	No	Yes	12 VDC	
714-8	Rotary	8 Class B	No	Metal Enclosure	12 VDC	
714-16	Rotary	16 Class B	No	Metal Enclosure	12 VDC	
715	Rotary	4 Class B	No	Yes	12 VDC	
715-8	Rotary	8 Class B	No	Metal Enclosure	12 VDC	
715-16	Rotary	16 Class B	No	Metal Enclosure	12 VDC	

### MODULE SPECIFICATIONS

#### 708 SPECIFICATIONS (NON-UL)

Operating Voltage	8.8 to 15.0 VDC
Operating Current	20mA Per Pair
Dimensions	4.5" X 2.75" X 1.75"
Maximum Distance	4,000 feet between the two 708 Modules

#### 710 SPECIFICATIONS

Operating Voltage	8.8 to 15.0 VDC
Operating Current	710 30mA
Dimensions	4.5" X 2.75" X 1.75"
Distance	2,500 feet (one module), 15,000 feet maximum

#### 711 SPECIFICATIONS

Operating Voltage	8.8 to 15.0 VDC
Operating Current	Average 11mA + 1.6mA per active zone Alarm 11mA + 2mA per zone in alarm
Zone Voltage	5 VDC (1.6mA across EOL)
Dimensions	4.5" X 2.75" X 1.75"

#### 712-8 SPECIFICATIONS

Operating Voltage	8.8 to 15.0 VDC
Current Draw	17mA + 1.6mA per active zone 17mA + 2mA per zone in alarm
Dimensions	4.5" H x 2.5" W

### 714/715 SPECIFICATIONS

Operating Voltage	8.8 to 15.0 VDC
Operating Current	714 Average 7mA + 1.6mA per zone Alarm 7mA + 2mA per zone
715 Average	7mA + 4mA per zone + 0.1 per 2-wire smoke
Alarm	7mA + 58mA per shorted zone + 0.1 per 2-wire smoke + 30mA per smoke in alarm
Dimensions	4.5" X 2.75" X 1.75"

### 714-8, 714-16, 715-8, AND 715-16 SPECIFICATIONS

Operating Voltage	8.8 to 15.0 VDC
Operating Current	714-8/16 Average 20mA + 1.6mA per zone Alarm 20mA + 2mA per zone
715-8/16 Average	20mA + 4mA per zone + 0.1 per 2-wire smoke
Alarm	20mA + 58mA per shorted zone + 0.1 per 2-wire smoke + 30mA per smoke in alarm
Enclosure	20-Gauge cold-rolled steel
Dimensions	12.5" W x 11.5" H x 3.5" D
714-8/-16 Color	Gray
715-8/-16 Color	Red

### LISTINGS AND APPROVALS

Refer to the appropriate panel programming and installation guide for specific compliance listings for installation and programming requirements necessary to meet a particular approval.

California State Fire Marshall (CSFM)  
New York City (FDNY COA #6055) (711, 714, 715 only)  
Underwriters Laboratories (UL) Listed

For additional information, access [www.dmp.com](http://www.dmp.com) and select Compliance.



800-641-4282

[www.dmp.com](http://www.dmp.com)

Made in the USA

INTRUSION • FIRE • ACCESS • NETWORKS

2500 North Partnership Boulevard

Springfield, Missouri 65803-8877

LT-0232 © 2010 Digital Monitoring Products, Inc. 9/10

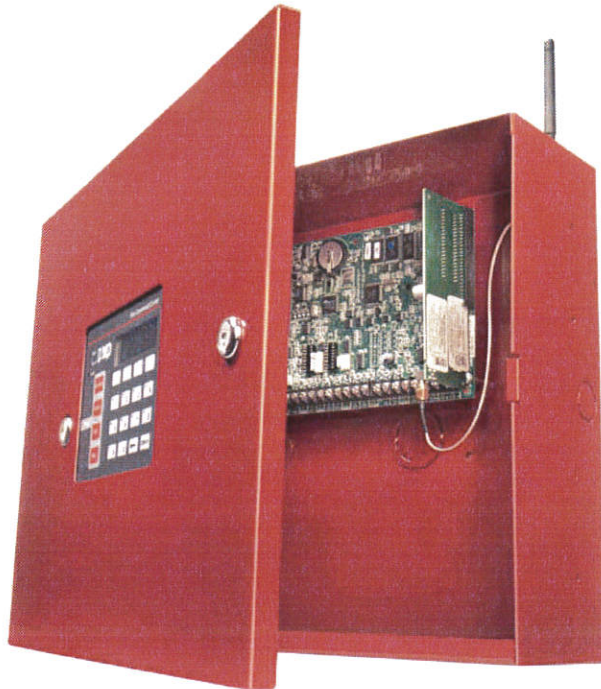




FDNY



Search dmpalarms



## UL Listed Digital Cellular Communication for Fire Alarm Control Panels

The 463G, when installed in a DMP XR500/ XR500FC Panels, is UL approved as a primary (standalone) fire communicator with no backup, or as a fire slave communicator, that is compatible with any FACP. The 463G provides a dependable communications link between your alarm system panel and Central Station.

- Compared to a dialup communication link, cellular can save significantly in annual telecom costs
- UL Listed as the Primary Communicator and Fire Slave Input for the XR500 in Fire Applications under ANSI/UL 864 Commercial Fire (Meets NFPA 72)
- Works on digital cellular GPRS data networks over a variety of carriers, including AT&T (USA) and Rogers (Canada)

## GSM/GPRS DIGITAL CELLULAR FIRE COMMUNICATOR 463G

### FEATURES

- 463G enhances system security that conforms with NFPA and UL requirements
- Direct reporting to the DMP Central Station receiver, with no relaying of alarm signals
- Fire Slave Input option of the XR500 with 463G approved for any FACP
- Modular solution means easily updated for newer technologies
- Eight-path redundancy with multiple message delivery available
- DMP Adaptive Technology™ switches communication paths while maintaining supervision if the current path becomes unavailable
- 463G uses power from panel with low current draw for long standby battery life
- Can be equipped with local or remote antenna, offering more flexibility when installing
- Cellular data throttling offers overage suppression
- Ability to check signal strength indication at the keypad
- Messaging features transmit alarms/alerts to users via SMS text messages, and allow users to remotely control their panel via text commands



Digital Monitoring Products

## UL LISTED

Install the DMP 463G Digital Cellular Communicator in an XR500 Series panel to create a UL listed, primary communication path for commercial fire installations. The Fire Slave Input option of the XR500 has also been approved under ANSI/UL 864 (NFPA 72 2007 & 2010), allowing it to be used as a Slave Communicator for any FACP.

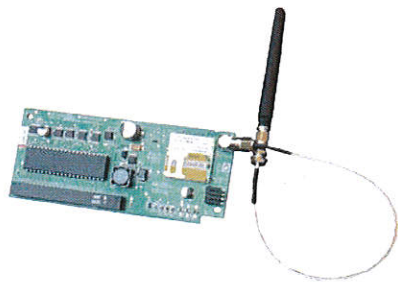
## DIRECT REPORTING

The digital cellular communicators transmit IP data packets directly from the panel's processor over the GSM/GPRS wireless data network. All of the messages that are capable of being sent by the control panel are received directly by the DMP Central Station receiver. There are no intermediary servers or network operation centers, and no retransmission or reinterpretation of the information. Direct reporting means faster response, with no concerns about signals not being properly relayed or intermediate communication links failing.

## ADD-ON TO XR500 PANEL

The 463G works as an easy-to-install XR500 expansion card, with plug-and-play ease of installation. No extra programming is required. It provides full data delivery of DMP Zones, Areas, and Users, with all names and details included.

The remarkably compact 463G won't take up a lot of space in your communications closet. The unit directly installs in the XR500 expansion card slot, which is mounted inside a sturdy UL-listed metal cabinet. Tamper protection is also available for added security.



## FULLY SUPERVISED

You're kept fully informed of system status. The unit sends full reporting messages including Zones, Areas, and Users, with all names and details included. Full supervision ensures that the cellular communication path is intact and functional.

## EIGHT-PATH REDUNDANCY

Feel more secure with up to eight paths of communication redundancy. Select from TCP, UDP, RS232, GPRS, Single Line Dialer, Dual Line Dialer with multiple IP numbers, and multiple telephone numbers. You identify and configure your redundant communication links via Remote Link.

A DACT (digital alarm communicator transmitter) system may be configured as:

- Path 1 Type DD Primary and Path 2 Type DD Backup
- Path 1 Type DD Primary and Path 2 Type CELL Backup
- Path 1 Type DD Primary and Path 2 Type NET Backup

A NET or CELL system may be configured as:

- Path 1 Type NET Primary with no Backup
- Path 1 Type CELL Primary with no Backup
- Path 1 Type NET Primary and Path 2 Type DD Backup
- Path 1 Type NET Primary and Path 2 Type CELL Backup
- Path 1 Type CELL Primary and Path 2 Type NET Backup

## ADAPTIVE TECHNOLOGY™

If the primary communication path is compromised or becomes unavailable, Adaptive Technology almost instantly switches to a designated backup path. Where multiple backups are available, communications can be programmed to switch to another path as necessary.

The checkin frequency and programming for a backup path adapt to the checkin programming of the primary path. When the primary path becomes available, normal communications are restored. Adaptive Technology provides additional confidence in the integrity of your system, while protecting you from unexpected cellular service charges.

## REDUCED EQUIPMENT NEEDS

With other cellular backup equipment, you need to purchase additional enclosures, power supplies, batteries, cabling, and conduit connections. The 463G reduces the number of pieces of equipment you have to purchase. It comes ready to mount, reducing your initial costs and simplifying both installation and ongoing operation.

## REDUCED COMMUNICATION COSTS

Adding the cellular communicator to the DMP XR500 fire alarm control panel can lower costs significantly compared to dial-up connections. Fire systems typically require two dial-up lines that can be eliminated and replaced with a single cellular connection.

## ANTENNA PLACEMENT

The unit includes both local and remote SMA (S-band multiple access) antenna connections, giving you added freedom and flexibility during installation.

## LOW CURRENT DRAIN

With its extremely low current drain and long standby battery life, the 463G will continue to provide a communications link for an extended period of time, even during a power failure. It draws half the current of other comparable units.

## SIMPLE TO INSTALL AND PROGRAM

Connect the 463G to your panel, attach the antenna and power, and installation is complete. Programming the 463G is fast and simple, accomplished within the panel itself.

After programming the 463G cellular communications path via Remote Link, you will be presented with the Activate SIM window to activate your cellular plan. Once activated, the wireless backup connection is immediately online protecting your communications link. No separate programming utility is required.

## SECURECOM CELLULAR SERVICES

The 463G comes standard with a SIM (Subscriber Identity Module) card ready to use SecureCom Wireless Cellular Service from DMP. With the 463G and SecureCom, you have a one-stop resource for both hardware and cellular service.

## ENHANCED FIRE PROTECTION

Compared to dial-up connections, a digital cellular communication link provides greater reliability, protection from sabotage, and is less prone to being knocked out by weather. Unlike mobile cellular connections, the 463G creates a fixed network connection that minimizes hand-offs and the chance for dropped connections. When trouble conditions occur, they can be more quickly diagnosed and often corrected remotely.

The NFPA 72 code requires a test of the entire communications path every five minutes. The DMP Model XR500 Command Processor Panel used with DMP 463G Digital Cellular Communicator meets this requirement when check-in and fail time settings are programmed for five minutes. The net result is a higher level of system reliability in comparison with traditional systems that rely on redundant phone lines and the substantially less frequent 24-hour supervision reports associated with that approach.

## UPDATEABLE

In addition to being able to change cellular carriers, you will also be ready to take advantage of technical improvements as they occur. The unit's modular architecture enables seamless upgrades as improved technology becomes available.

## CELLULAR DATA THROTTLING

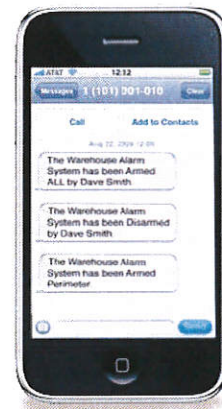
DMP panels protect you from unexpectedly high cell phone charges for usage over the plan limits with overage suppression. When cell data traffic exceeds 3K/hour, you receive an hourly alert advising you of the high traffic. When traffic exceeds 6K/hour, the panel will begin to automatically suppress non-alarm messages, including check-ins. When cell traffic drops back below the 3K/hour limit, full communications are automatically restored.

## MESSAGING FEATURES

Including cellular communication in the panel enables the Messaging Features that make it possible for users to remotely interact with their panel. The panel can be programmed to transmit email\*/SMS messages to as many as three addresses, including cell phones or email addresses (up to 48 characters each). End users can receive email or text messages each time there's a system event such as arming and disarming, zone bypass, or any alarms. Messaging can be configured via Remote Link™ or from the keypad. Full panel programming can be done over cellular.

Users also have the ability to send commands via text messages to the panel. They can arm or disarm their system, control outputs, retrieve system status, and perform other functions. Each command received by the panel is acknowledged back to the user via return SMS Message. Dealers have the opportunity to generate additional recurring revenue by offering these features to customers.

\*For email messages, network or cellular communication must be present.



Use any model of cell phone for Messaging Features

# Digital Cellular Communicator

## DMP WIRELESS DEVICES FOR ANSI/UL 864 COMMERCIAL FIRE

Complete your fire system with other DMP wireless devices that are ANSI/UL 864 Listed for Fire Protective Signaling Systems.

### TWO-WAY COMMUNICATION

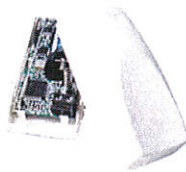
Superior to traditional wireless devices that just broadcast until the zone is restored, DMP 1100 Series require an acknowledgement from the 1100 Series Receiver, indicating successful communication. This smart technology ensures that each and every communication is received and efficiently processed at the panel. With the 900MHz frequency-hopping spread-spectrum technology, clear and accurate signal transmissions without interference in practically any environment is to be expected.

### 1100 SERIES RECEIVERS

The 1100 Series Receivers: 1100X, 1100XH and 1100R allow you to add up to 500 transmitters and is required for wireless capability in both regular and harsh environments.

### 1103 UNIVERSAL TRANSMITTER

Model 1103 Universal Transmitter is typically used in commercial fire or burglary door/window applications. It offers the same look and features as the 1101 transmitter, with the addition of a 470k end-of-line resistor and wall tamper switch.



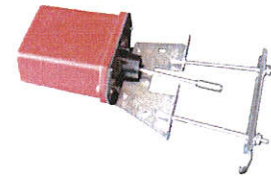
### 1181 POST INDICATOR VALVE

The model 1181 PIV is a weather proof and tamper resistant wireless switch for monitoring the open position of fire sprinkler control valves of the post indicator, butterfly and other types.



### 1182 OS&Y

The 1182 OS&Y Switch is used to monitor the open position of an OS&Y (Outside Screw and Yoke) type gate valve. The 1182 mounts conveniently to most OS&Y valves ranging in size from 1/2" to 12". The switch operates the external contacts of the wireless transmitter when the valve position is altered from an open state.



### 1165/1165H/1165HS COMMERCIAL SMOKE DETECTORS

The Model 1165 Smoke Detector, 1165H Smoke/Heat Detector, and 1165HS Smoke/Heat Detector with Sounder include a tamper switch that sends a trouble signal if the detector is removed from the mounting base.



### SPECIFICATIONS

Primary Power	12 VDC from panel
Current Draw	
Standby	22 mA
Alarm	45 mA

### COMPATIBILITY

DMP Command Processor panels XR500, XR500N, XR500E using Software Version 202 or higher

### ORDERING INFORMATION

463G Cellular Communicator

### ACCESSORIES

380-400	Replacement Level 400 SIM Card
381-12	12' Coax Extension
381-25	25' Coax Extension



*quality. integrity. innovation.*

### ACCESSORIES CONT.

383	Rubber Duck Antenna
386	Wall Mount Antenna Bracket
387-1	3dB Fiberglass Antenna w/bracket
387-2	2dB Attack Enclosure Antenna
387-3	3dB MEG Antenna
387-25	SMA TO N CABLE, 25FT, LMR195
387-50	SMA TO N CABLE, 50FT, LMR195

### LISTINGS AND APPROVALS

California State Fire Marshal (CSFM)

FCC ID: MIVGSM0308

Industry Canada ID: 4160A-GSM0308

New York City (FDNY COA #6055)

Underwriters Laboratories (UL) Listed

ANSI/UL 365	Police Station Connect Burglar Alarm Systems
ANSI/UL 985	Household Fire Warning System Units
ANSI/UL 1023	Household Burglar Alarm System Units
ANSI/UL 1076	Proprietary Burglar Alarm Units & Systems
ANSI/UL 1610	Central Station Burglar Alarm Units
ANSI/UL 864	Control Units for Fire-Protective Signaling Systems

© 2011 Digital Monitoring Products, Inc. | LT-1165 | 10/11



# DMP XR100/XR500 Battery Calculation

9/21/2012



**Job Name:**  
**Installing Company:**

Brent Adler 52 Federal St., Portland

Surveillance Specialties

## XR500/XR100 SERIES STANDBY BATTERY POWER CALCULATIONS

	Qty	1	X	180 mA	180 mA	Qty	1	X	180 mA	180 mA
XR500/XR100 Series Control Panel	Qty		X	180 mA	180 mA	Qty		X	180 mA	180 mA
Relay Outputs 1-2 (ON)	Qty		X	30 mA	0 mA	Qty		X	30 mA	0 mA
Switching Grounds 3-6 (ON)	Qty		X	5 mA	0 mA	Qty		X	5 mA	0 mA
Active Zones 1-8	Qty	3	X	1.6 mA	4.8 mA	Qty	1	X	2 mA	2 mA*
Active Zones 9-10	Qty		X	4 mA	0 mA	Qty		X	30 mA	0 mA*
2-Wire Smokes	Qty		X	0.1 mA	0 mA	Qty		X	0.1 mA	0 mA*
Panel Bell Output	Amount of Bell Current drawn 1500mA Maximum									
	Qty		X	35.5 mA	0 mA	Qty		X	35.5 mA	0 mA
893A Dual Phone Line Module	Qty		X	7 mA	0 mA	Qty		X	7 mA	0 mA
461 Interface Adaptor Card	Qty		X	50 mA	0 mA	Qty		X	50 mA	0 mA
462N Network Interface Card	Qty		X	50 mA	0 mA	Qty		X	50 mA	0 mA
462P Printer Interface Card	Qty		X	85 mA	0 mA	Qty		X	85 mA	0 mA
472 Inovonics 900MHz Interface Card	Qty		X	15 mA	0 mA	Qty		X	15 mA	0 mA
481 Expansion Interface Card	Qty		X	26 mA	0 mA	Qty		X	85 mA	0 mA
865 Style Y or Z Notification Module	Qty		X	45 mA	0 mA	Qty		X	76 mA	0 mA
866 Style W Notification Module	Qty		X	30 mA	0 mA	Qty		X	86 mA	0 mA
867 LX-Bus Style W Notification Module	Qty		X	25 mA	0 mA	Qty		X	75 mA	0 mA
869 Class A Style D Module	Qty	1	X	22 mA	22 mA	Qty	1	X	45 mA	45 mA
463G GSM/GPRS Digital Cellular Communicator	Qty		X	21 mA	0 mA	Qty		X	200 mA	0 mA
CellComRT GSM/GPRS Digital Cellular Communicator	Qty		X	40 mA	0 mA	Qty		X	40 mA	0 mA
1100X DMP Wireless Receiver	Qty		X	240 mA	0 mA	Qty		X	240 mA	0 mA
1100XH DMP High Power Wireless Receiver	Qty		X	63 mA	0 mA	Qty		X	92 mA	0 mA
630F Remote Fire Command Center	Qty		X	72 mA	0 mA	Qty		X	87 mA	0 mA
7060/7160 Thinline/7060A Aqualite Keypad	Qty		X	85 mA	0 mA	Qty		X	100 mA	0 mA
7063/7163 Thinline/7063A Aqualite Keypad	Qty		X	72 mA	0 mA	Qty		X	87 mA	0 mA
7070/7170 Thinline/7070A Aqualite Keypad	Qty		X	1.6 mA	0 mA	Qty		X	2 mA	0 mA*
Active Zones (EOL installed)	Qty		X	85 mA	0 mA	Qty		X	100 mA	0 mA
7073/7173 Thinline/7073A Aqualite Keypad	Qty		X	1.6 mA	0 mA	Qty		X	2 mA	0 mA*
Active Zones (EOL installed)	Qty		X	65 mA	0 mA	Qty		X	115 mA	0 mA
7760 ClearTouch Keypad	Qty		X	80 mA	0 mA	Qty		X	80 mA	0 mA
ePAD Virtual Keypad	Qty		X	15 mA	0 mA	Qty		X	15 mA	0 mA
734 Wiegand™ Interface Module	Qty		X	1.6 mA	0 mA	Qty		X	2 mA	0 mA*
Active Zones (EOL installed)	Qty		X	100 mA	0 mA	Qty		X	110 mA	0 mA
734N Wiegand™ Interface Module	Qty		X	1.6 mA	0 mA	Qty		X	2 mA	0 mA*
Active Zones (EOL installed)	Qty		X	25 mA	0 mA	Qty		X	25 mA	0 mA
736P Radionics Popit Interface	Qty		X	75 mA	0 mA	Qty		X	75 mA	0 mA
Radionics Popex, Octopopit, Popits	Qty		X	42 mA	0 mA	Qty		X	42 mA	0 mA
738A Ademco Wireless Interface w/Receiver	Qty		X	13 mA	0 mA	Qty		X	13 mA	0 mA
738I ITI™ Interface Module	Qty		X	10 mA	0 mA	Qty		X	10 mA	0 mA
739 X10 Interface Module	Qty		X	10 mA	0 mA	Qty		X	10 mA	0 mA
708 Bus Extender	Qty		X	10 mA	0 mA	Qty		X	10 mA	0 mA



# DMP XR100/XR500 Battery Calculation

9/21/2012

710 Bus Splitter/Repeater	Qty		X	30	mA	0	mA	0	mA	0	mA	0	mA
710F Fire Bus Splitter/Repeater	Qty		X	40	mA	0	mA	0	mA	0	mA	0	mA
711 Zone Expander	Qty	9	X	11	mA	99	mA	99	mA	99	mA	99	mA
Active Zones (EOL installed)	Qty		X	1.6	mA	0	mA	0	mA	0	mA	0	mA*
714 Zone Expander	Qty		X	7	mA	0	mA	0	mA	0	mA	0	mA
Active Zones (EOL installed)	Qty		X	1.6	mA	0	mA	0	mA	0	mA	0	mA*
712-8 Zone Expander	Qty		X	17	mA	0	mA	0	mA	0	mA	0	mA
Active Zones (EOL installed)	Qty		X	1.6	mA	0	mA	0	mA	0	mA	0	mA*
714-8 or 714-16 Zone Expander	Qty		X	20	mA	0	mA	0	mA	0	mA	0	mA
Active Zones (EOL installed)	Qty		X	1.6	mA	0	mA	0	mA	0	mA	0	mA*
715 Zone Expander	Qty	1	X	7	mA	7	mA	7	mA	7	mA	7	mA
Active Zones (EOL installed)	Qty		X	4	mA	0	mA	0	mA	0	mA	0	mA*
2-Wire Smokes	Qty		X	0.1	mA	0	mA	0	mA	0	mA	0	mA*
715-8 or 715-16 Zone Expander	Qty		X	20	mA	0	mA	0	mA	0	mA	0	mA
Active Zones (EOL installed)	Qty		X	4	mA	0	mA	0	mA	0	mA	0	mA*
2-Wire Smokes	Qty		X	0.1	mA	0	mA	0	mA	0	mA	0	mA*
716 Output Expander	Qty		X	7	mA	0	mA	0	mA	0	mA	0	mA
Active Form C Relays	Qty		X	10	mA	0	mA	0	mA	0	mA	0	mA
717 Graphic Annunciator	Qty		X	1	mA	0	mA	0	mA	0	mA	0	mA
Annunciator Outputs	Qty		X	34	mA	0	mA	0	mA	0	mA	0	mA
860 Relay Module	Qty		X	34	mA	0	mA	0	mA	0	mA	0	mA
(Active Relays)	Qty	2	X	8.8	mA	17.6	mA	17.6	mA	17.6	mA	17.6	mA*
521LX, 521LXT Smoke Detectors	Qty		X	0.7	mA	0	mA	0	mA	0	mA	0	mA*
521B/BXT Photoelectric Smoke Detector	Qty		X	0.38	mA	0	mA	0	mA	0	mA	0	mA*
SLR-835B/IB Photoelectric Smoke Detector	Qty		X	0.38	mA	0	mA	0	mA	0	mA	0	mA*
SLR-835 Photoelectric Smoke Detector Head	Qty		X	0.38	mA	0	mA	0	mA	0	mA	0	mA*
SLR-835H Heat/Smoke Detector	Qty		X	0.38	mA	0	mA	0	mA	0	mA	0	mA*
PP-6005B ProxPoint® Plus Reader	Qty		X	30	mA	0	mA	0	mA	0	mA	0	mA*
MP-5365 MiniProx™ Reader	Qty		X	20	mA	0	mA	0	mA	0	mA	0	mA*
PR-5455 ProxPro® II Reader	Qty		X	25	mA	0	mA	0	mA	0	mA	0	mA*
MX-5375 MaxiProx® Reader	Qty		X	200	mA	0	mA	0	mA	0	mA	0	mA*
TL-5395 ThinLine II® Reader	Qty		X	20	mA	0	mA	0	mA	0	mA	0	mA*
3045 Sentrol® Panic	Qty		X	6	mA	0	mA	0	mA	0	mA	0	mA*
572 Indicator LED	Qty		X	20	mA	0	mA	0	mA	0	mA	0	mA*
5812A ShatterPro™ Glassbreak	Qty		X	12	mA	0	mA	0	mA	0	mA	0	mA*
5820A ShatterPro™ Glassbreak	Qty		X	12	mA	0	mA	0	mA	0	mA	0	mA*
5845LX ShatterPro™ Glassbreak	Qty		X	15	mA	0	mA	0	mA	0	mA	0	mA*
FG-730 Flexguard Glassbreak	Qty		X	25	mA	0	mA	0	mA	0	mA	0	mA*
PI 6000 Sharpshooter™ w/ Pet Immunity	Qty		X	14	mA	0	mA	0	mA	0	mA	0	mA*
6155 Sharpshooter™ PIR	Qty		X	8	mA	0	mA	0	mA	0	mA	0	mA*
6155LX Sharpshooter™ PIR	Qty		X	23	mA	0	mA	0	mA	0	mA	0	mA*
AP633 Sentrol® Mirror Optic PIR	Qty		X	13	mA	0	mA	0	mA	0	mA	0	mA*
AP669 Sentrol® 360° PIR	Qty		X	11	mA	0	mA	0	mA	0	mA	0	mA*
AP750 Wall-Mount PIR	Qty		X	9	mA	0	mA	0	mA	0	mA	0	mA*

# DMP XR100/XR500 Battery Calculation

RX-40PI Optex™ 40° x 40° PIR w/ Pet Immunity	Qty	X	17	mA	0	mA	0	mA	0	X	17	mA	0	mA*
FX-360 Optex™ 360° PIR w/ Pet Immunity	Qty	X	17	mA	0	mA	0	mA	0	X	18	mA	0	mA*
CX-70Z Optex™ 70° x 70° PIR	Qty	X	20	mA	0	mA	0	mA	0	X	20	mA	0	mA*
EX-35T Optex™ 35° x 35° PIR	Qty	X	18	mA	0	mA	0	mA	0	X	18	mA	0	mA*
SX-360Z Optex™ Extra Long Range 360° PIR	Qty	X	13	mA	0	mA	0	mA	0	X	18	mA	0	mA*
DX-40 Optex™ PIR/ Microwave Detector	Qty	X	12	mA	0	mA	0	mA	0	X	35	mA	0	mA*
MX-40PI Optex PIR/Microwave Detector	Qty	X	18	mA	0	mA	0	mA	0	X	20	mA	0	mA*
KX-08 Optex™ Ceiling Mount PIR	Qty	X	17	mA	0	mA	0	mA	0	X	17	mA	0	mA*
PA-450PI Takex Wide Angle Wall Mount PIR 36°X84°	Qty	X	25	mA	0	mA	0	mA	0	X	25	mA	0	mA*
PA-460 Takex Verticle Curtain Wall Mount PIR 55°	Qty	X	25	mA	0	mA	0	mA	0	X	25	mA	0	mA*
PA-470L Takex Long Range Wall Mount PIR 53°X84°	Qty	X	28	mA	0	mA	0	mA	0	X	28	mA	0	mA*
PA-480S Takex Ultra Wide Angle Wall Mount PIR 26°X180°	Qty	X	32	mA	0	mA	0	mA	0	X	32	mA	0	mA*
PA-680S Takex Spot Ceiling Mount PIR 360X13°	Qty	X	35	mA	0	mA	0	mA	0	X	35	mA	0	mA*
PA-6810 Takex 360 Degree Ceiling Mount PIR 360X50°	Qty	X	35	mA	0	mA	0	mA	0	X	35	mA	0	mA*
PA-6812 Takex Wide Angle Ceiling Mount Mirror Optic PIR 40°X84°	Qty	X	35	mA	0	mA	0	mA	0	X	35	mA	0	mA*
PA-68020 Takex Verticle Curtain Ceiling Mount Mirror Optec 66°	Qty	X	35	mA	0	mA	0	mA	0	X	35	mA	0	mA*
EVD-1 Electronic Vibration Detector	Qty	X	26	mA	0	mA	0	mA	0	X	34	mA	0	mA*
EVD-2 Electronic Vibration Detector	Qty	X	34	mA	0	mA	0	mA	0	X	41	mA	0	mA*
VSA-5 Vault Sound Alarm	Qty	X	20	mA	0	mA	0	mA	0	X	25	mA	0	mA*
Tane-WSI	Qty	X	10	mA	0	mA	0	mA	0	X	10	mA	0	mA*
Aux. Powered Devices on Terminals 7 and 11 (Other than keypads and LX-Bus modules)	Qty	X		mA	0	mA	0	mA	0	X		mA	0	mA*
Aux. Powered Devices	Qty	X		mA	0	mA	0	mA	0	X		mA	0	mA*
Aux. Powered Devices	Qty	X		mA	0	mA	0	mA	0	X		mA	0	mA*
Aux. Powered Devices	Qty	X		mA	0	mA	0	mA	0	X		mA	0	mA*
Aux. Powered Devices	Qty	X		mA	0	mA	0	mA	0	X		mA	0	mA*
Aux. Powered Devices	Qty	X		mA	0	mA	0	mA	0	X		mA	0	mA*
Aux. Powered Devices	Qty	X		mA	0	mA	0	mA	0	X		mA	0	mA*
Aux. Powered Devices	Qty	X		mA	0	mA	0	mA	0	X		mA	0	mA*
Aux. Powered Devices	Qty	X		mA	0	mA	0	mA	0	X		mA	0	mA*
Aux. Powered Devices	Qty	X		mA	0	mA	0	mA	0	X		mA	0	mA*
Aux. Powered Devices	Qty	X		mA	0	mA	0	mA	0	X		mA	0	mA*

\* Based on 10% active zones in alarm

Required Minimum Alarm Time in minutes  Minutes  Total Standby  mA Total Alarm  mA

Number of standby hours needed	24
Total number of standby mA hours	7930
Total required alarm current	79
Total number of mA hours	8009
Contingency factor	0%
Battery Amp hours required	9

See Standby Battery Selection Section of XR500/XR100 Series Installation Guide (LT-0681 or LT-0899).  
 This spreadsheet calculator has not been evaluated by UL.  
 DMP is not responsible for errors, omissions or inaccuracies.

Fire Alarm System Input Output Matrix

Input Device	Output	1	2	3	4	5	6	7	8	9	10
Manual Pull Station		X	X								
Smoke Detector		X	X								
Sprinkler Waterflow Switch		X	X								
Sprinkler Tamper Switch				X							
Gate Valve				X							

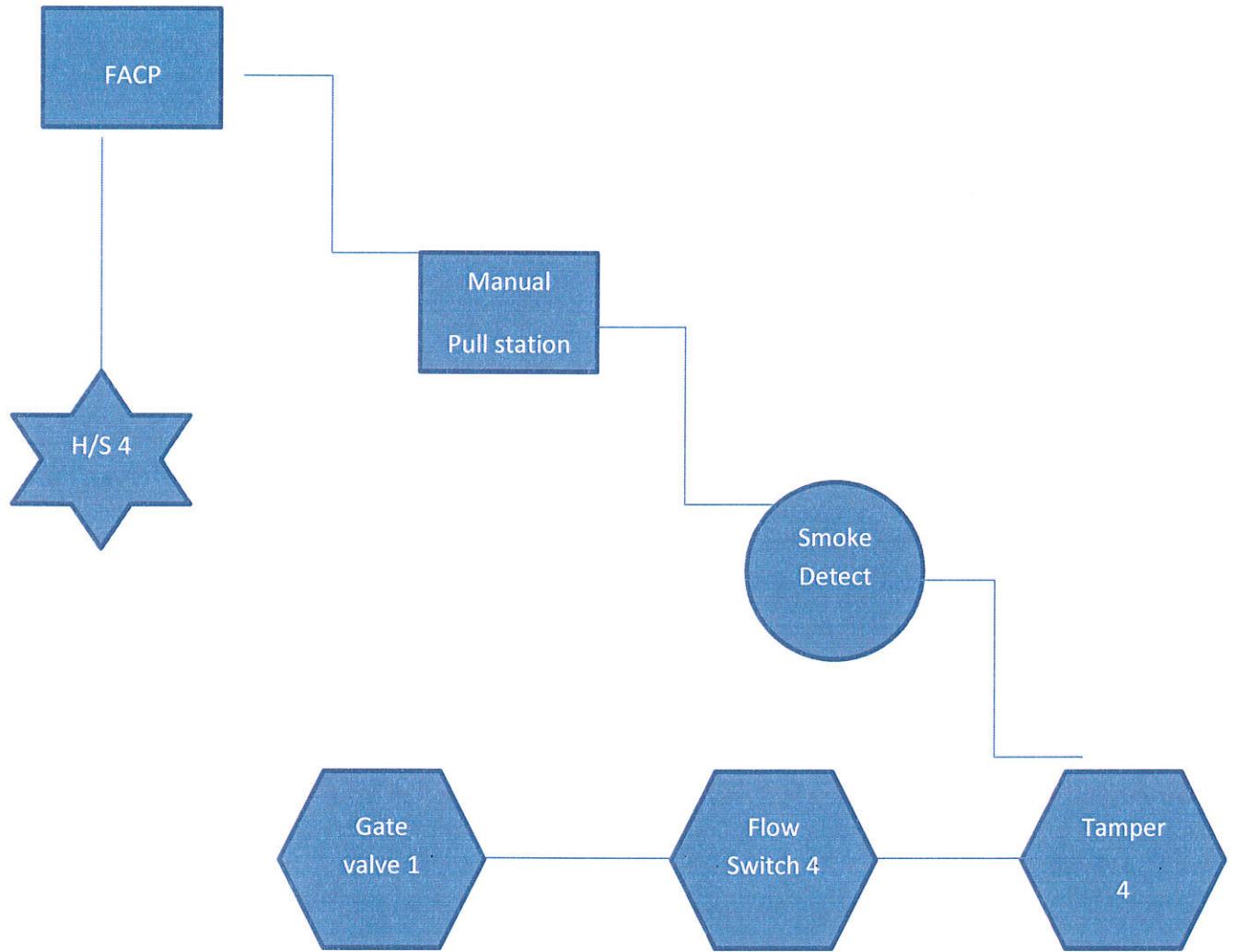
**Output Column No.**

- 1 - Sound building Horn/Strobes
- 2 - Notify Portland Fire Department
- 3 - Notify Building owner for response

**Premise**

Brent Adler  
 52 Federal St.  
 Portland, ME





Brent Adler

52 Federal St.

## Fire Alarm Scope of Work

Building is a new 4 story apartment building.

Building has a Sprinkler system.

We will be installing a fire alarm to monitor the sprinkler system and provide a manual means of activation as well as smoke detection.

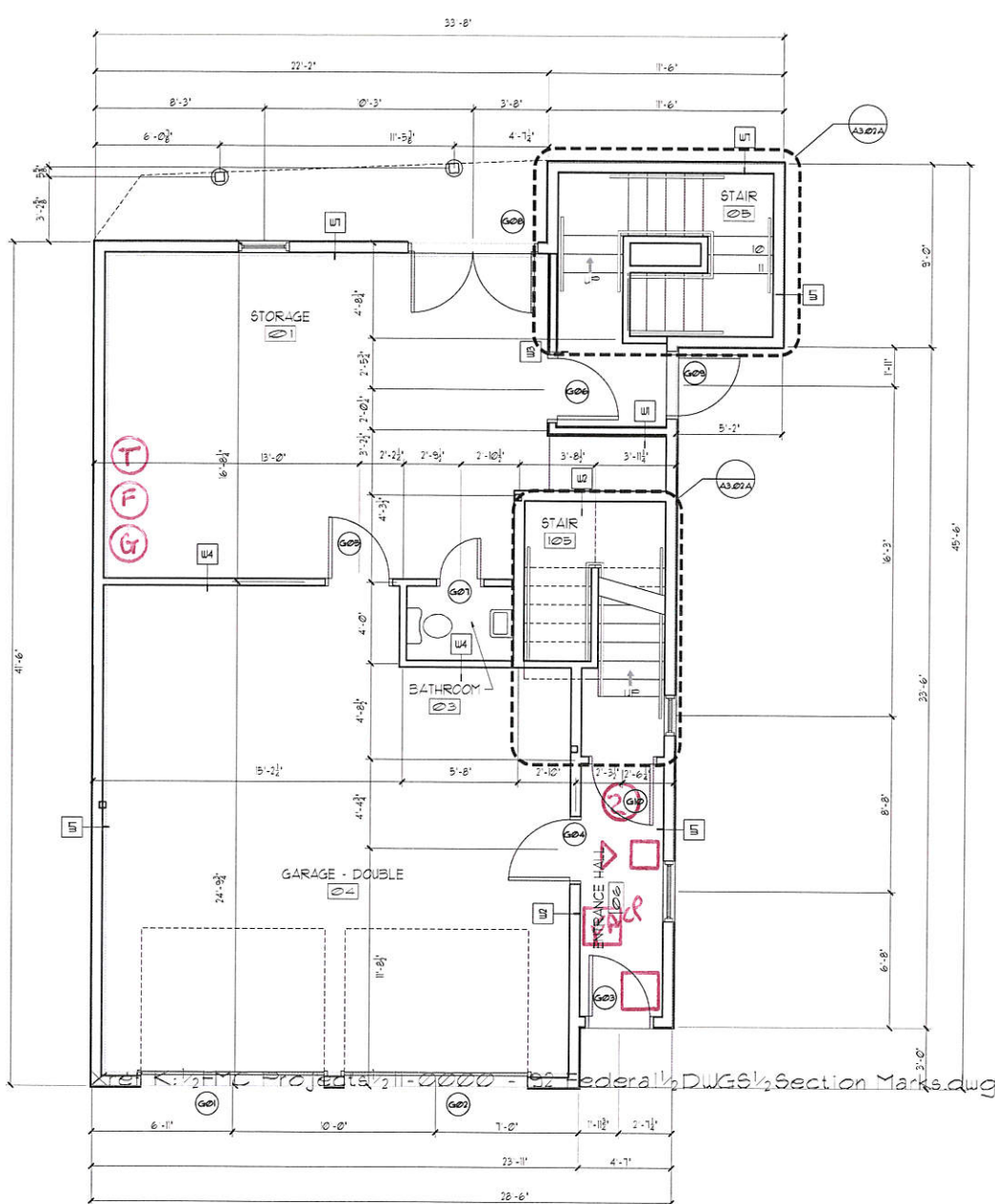
We also will be installing Audio Visual evacuation devices on each floor in the common area.

This fire alarm panel will be monitored by a central station for Alarm, Trouble and Supervisory events.

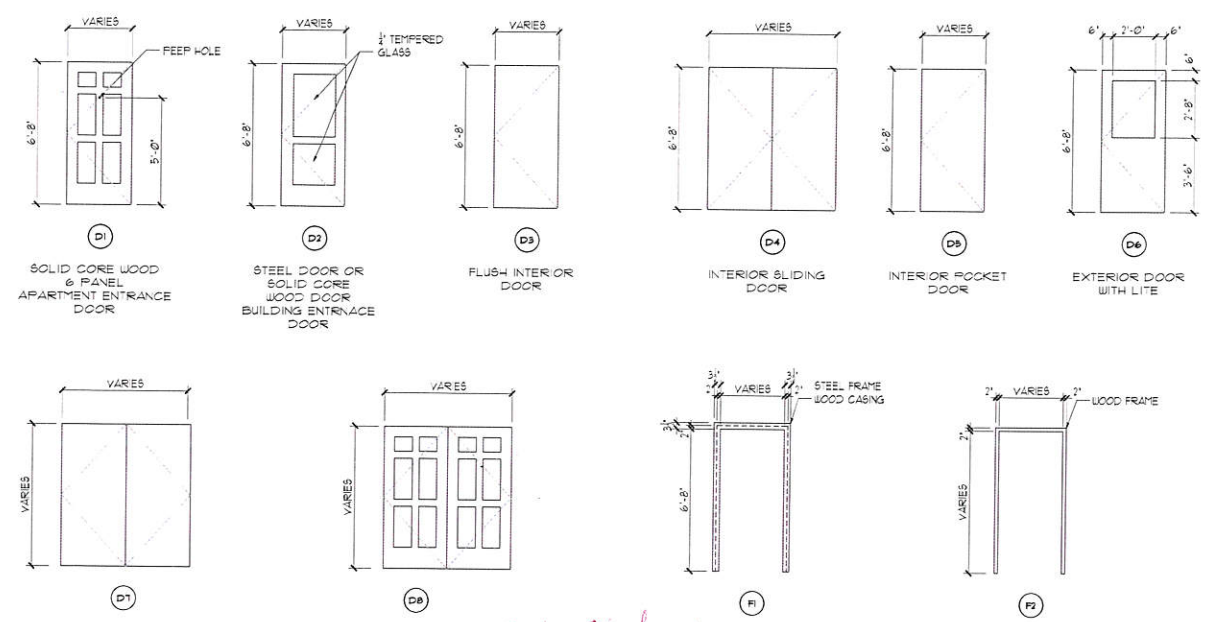
All devices are keyed alike and listed for use with the FACP.

Rev.	Date	Remark
A	09-13-11	Issued for pricing
B	10-13-11	Issued for Permitting
C	01-20-12	Re-issued for Permitting
D	02-06-12	Re-issued for Permitting

CODE: IBC 2009  
 TOWN: Portland  
 DATE: 09-13-11  
 SCALE: as noted  
 DESIGNED: LC  
 DRAWN: JJO  
 TITLE:  
 Garage Plans  
 Schedules  
 FILE:  
 SHEET: A1.01



Door No	Size			Door			Frame			Label	Hardware Set	Remarks
	Width	Height	Thickness	Type	Material	Finish	Type	Material	Finish			
G01	9'-0"	7'-0"	1-3/4"	Overhead	Wood	Painted	Track	Metal	Galvanized	--		
G02	9'-0"	7'-0"	1-3/4"	Overhead	Wood	Painted	Track	Metal	Galvanized	--		
G03	3'-0"	6'-8"	1-3/4"	D2	MDF/Wood	Natural	1	Metal	Painted	--		
G04	3'-0"	6'-8"	1-3/4"	D1	MDF/Wood	Natural	1	Metal	Painted	1-hour		
G05	3'-0"	6'-8"	1-3/8"	D5	Moulded	Painted	2	Wood	Painted	1-hour		
G06	2'-6"	6'-8"	1-3/8"	D3	MDF/Wood	Painted	2	Wood	Painted	2-hour		
G07	2'-6"	6'-8"	1-3/8"	D3	Moulded	Painted	2	Wood	Painted	--		
G08	6'-0"	6'-8"	1-3/4"	D3	MDF/Wood	Natural	2	Wood	Painted	--		
G09	3'-0"	6'-8"	1-3/4"	D2	MDF/Wood	Natural	1	Metal	Painted	1-hour		
G10	3'-0"	6'-8"	1-3/4"	D6	MDF/Wood	Natural	1	Metal	Painted	2-hour		

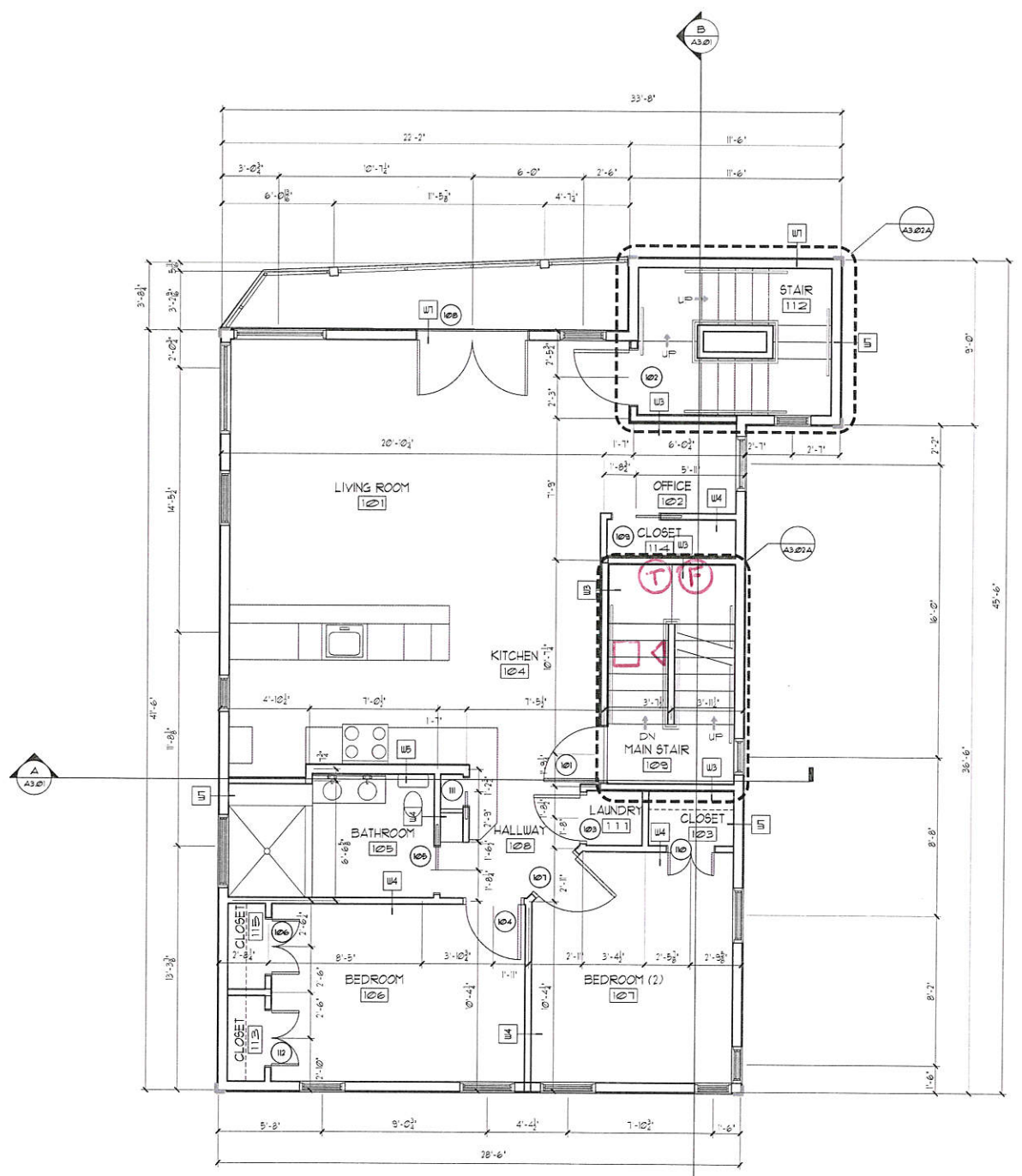


- ☐ - Pull Station
- ☐ ← - Horn Strobe
- ② - Smoke Detector
- Ⓣ - Tamper
- ⓕ - Flow

Room No.	Room Name	Floor	Walls				Ceiling		Remarks
			N	S	E	W	Mat'l	Height	
01	Storage	Conc	FGWB	FGWB	FGWB	FGWB	FGWB	8'-2"	Sealed
02	Stairway	VST	FGWB	FGWB	FGWB	FGWB	FGWB	NA	
03	Bathroom	VCT	FGWB	FGWB	FGWB	FGWB	FGWB	8'-2"	
04	Garage	Conc	FGWB	FGWB	FGWB	FGWB	FGWB	8'-2"	Sealed
05	Stairway	VST	FGWB	FGWB	FGWB	FGWB	FGWB	NA	
06	Entrance	VCT	FGWB	FGWB	FGWB	FGWB	FGWB	8'-2"	

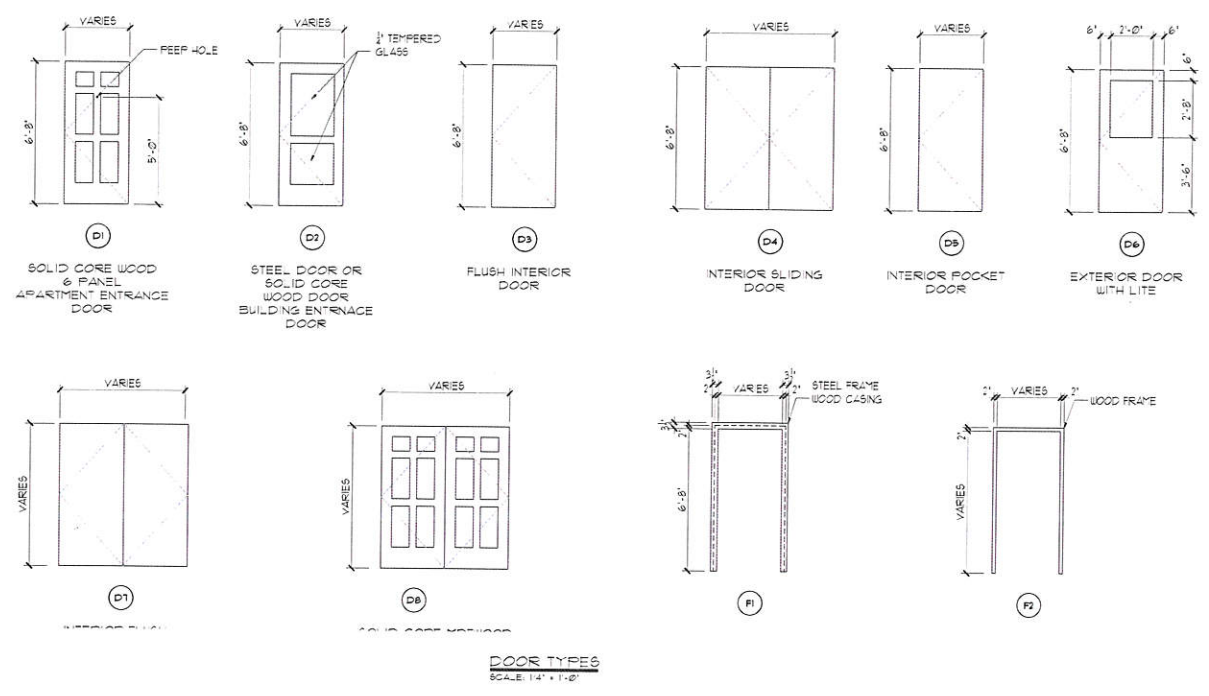
FGWB Painted Gypsum Wall Board  
 VCT Vinyl Composition Tile  
 HW Hard Wood  
 CT Ceramic Tile  
 Conc Concrete  
 VST Vinyl Stair Tread

**SCHEDULES**  
 SCALE: NTS



FIRST FLOOR  
 SCALE: 1/4" = 1'-0"

Door No	Size			Door			Frame			Label	Hardware Sct	Remarks
	Width	Height	Thickness	Type	Material	Finish	Type	Material	Finish			
101	3'-0"	6'-8"	1-3/4"	D1	MDP Wood	Natural	1	Metal	Painted	2-hour		Stairwell
102	3'-0"	6'-8"	1-3/4"	D1	MDP Wood	Natural	1	Metal	Painted	2-hour		Stairwell
103	2'-6"	6'-8"	1-3/8"	D3	Moulded	Painted	2	Wood	Painted	---		Laundry
104	3'-0"	6'-8"	1-3/8"	D3	Moulded	Painted	2	Wood	Painted	---		Bedroom
105	2'-6"	6'-8"	1-3/8"	D5	Moulded	Painted	NA	Wood	Painted	---		Bathroom
106	3'-0"	6'-8"	1-3/8"	D7	Moulded	Painted	2	Wood	Painted	---		Closet
107	3'-0"	6'-8"	1-3/8"	D3	Moulded	Painted	2	Wood	Painted	---		Bedroom
108	6'-0"	8'-0"	1-3/4"	D6	MDP Wood	Painted	1	Metal	Painted	1-hour		Balcony
109	3'-0"	6'-8"	1-3/8"	D5	Moulded	Painted	NA	Wood	Painted	---		Closet
110	3'-0"	6'-8"	1-3/8"	D7	Moulded	Painted	2	Wood	Painted	---		Closet
111	1'-2"	6'-8"	1-3/8"	D3	Moulded	Painted	2	Wood	Painted	---		Pantry
112	3'-0"	6'-8"	1-3/8"	D7	Moulded	Painted	2	Wood	Painted	---		Closet



DOOR TYPES  
 SCALE: 1/4" = 1'-0"

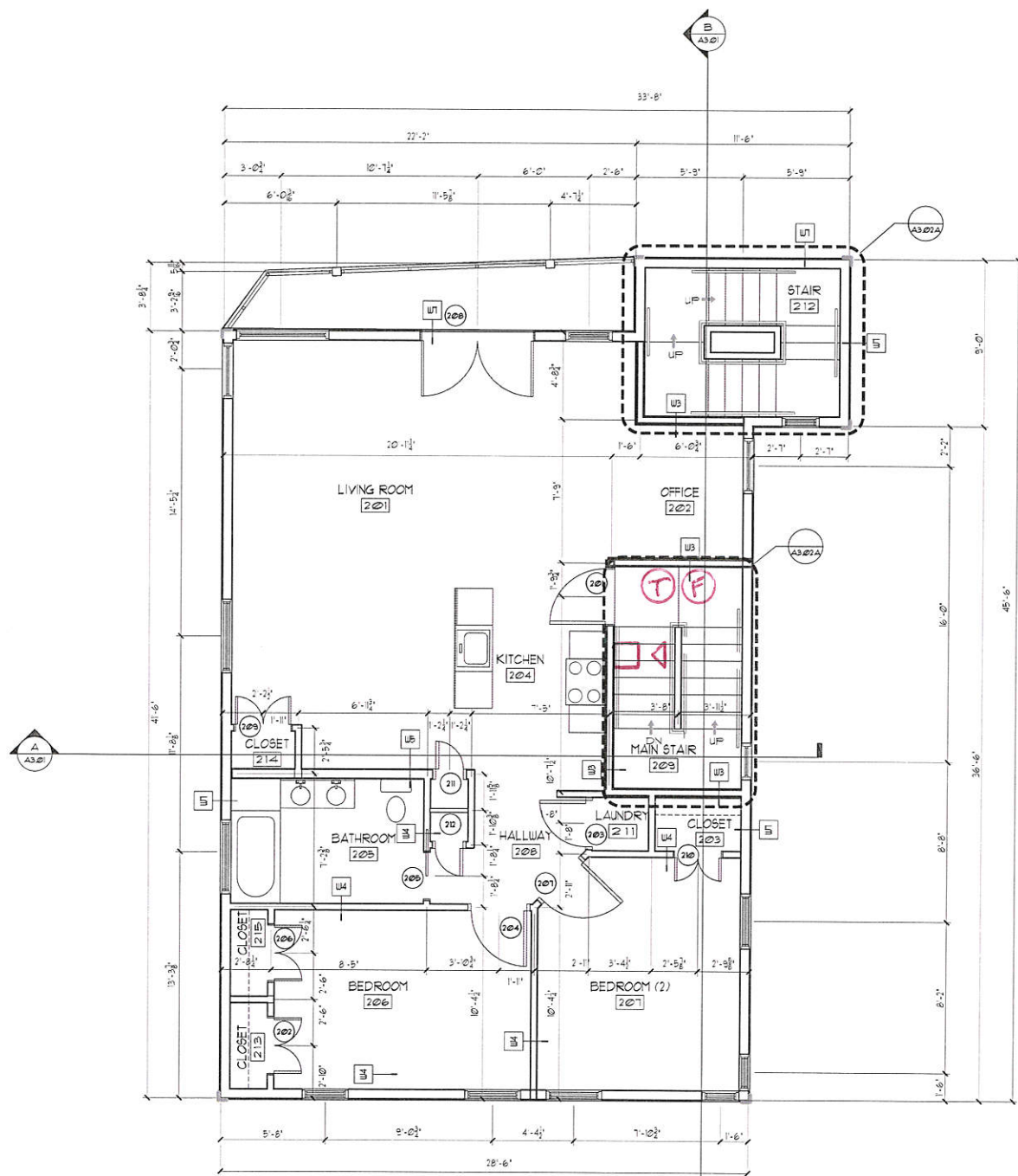
Room Finish Schedule									
Room No.	Room Name	Floor	Walls				Ceiling		Remarks
			N	S	E	W	Mat'l	Height	
101	Living Room	HW	FGWB	FGWB	FGWB	FGWB	FGWB	8'-0"	
102	Office	HW	FGWB	FGWB	FGWB	FGWB	FGWB	8'-0"	
103	Closet	HW	FGWB	FGWB	FGWB	FGWB	FGWB	8'-0"	
104	Kitchen	HW	FGWB	FGWB	FGWB	FGWB	FGWB	8'-0"	
105	Bathroom	VCT	FGWB	FGWB	FGWB	FGWB	FGWB	8'-0"	
106	Bedroom	HW	FGWB	FGWB	FGWB	FGWB	FGWB	8'-0"	
107	Bedroom	HW	FGWB	FGWB	FGWB	FGWB	FGWB	8'-0"	
108	Hallway	HW	FGWB	FGWB	FGWB	FGWB	FGWB	8'-0"	
109	Entrance Hall	VCT	FGWB	FGWB	FGWB	FGWB	FGWB	8'-0"	
110	Closet	HW	FGWB	FGWB	FGWB	FGWB	FGWB	8'-0"	
111	Laundry	VCT	FGWB	FGWB	FGWB	FGWB	FGWB	8'-0"	
112	Stairway	VCT	FGWB	FGWB	FGWB	FGWB	FGWB	8'-0"	
113	Closet	HW	FGWB	FGWB	FGWB	FGWB	FGWB	8'-0"	

FGWB Painted Gypsum Wall Board  
 VCT Vinyl Composition Tile  
 HW Hard Wood  
 CT Ceramic Tile  
 Conc Concrete  
 VST Vinyl Stair Tread

SCHEDULE 6  
 NTB

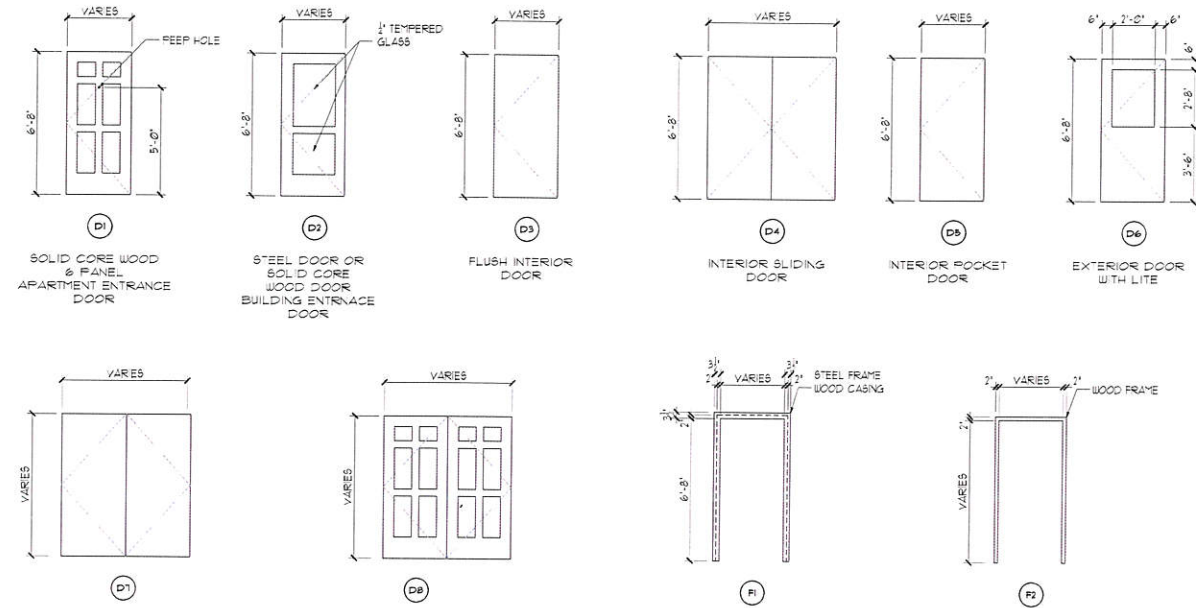
Rev.	Date	Remark
A	09-13-11	Issued for pricing
B	10-13-11	Issued for Permitting
C	01-28-12	RE-issued for Permitting
D	02-06-12	Re-issued for Permitting

CODE: IBC 2009  
 TOWN: Portland  
 DATE: 09-13-11  
 SCALE: as noted  
 DESIGNED: LC  
 DRAWN: JJO  
 TITLE:  
 First Floor Plan  
 Schedules  
 FILE:  
 SHEET: A1.02



SECOND FLOOR PLAN  
SCALE: 1/4" = 1'-0"

Door No	Size			Door			Frame			Label	Hardware Set	Remarks
	Width	Height	Thickness	Type	Material	Finish	Type	Material	Finish			
201	3'-0"	6'-8"	1-3/4"	D1	MDP/Wood	Natural	1	Metal	Painted	2-hour		Stairwell
202	3'-0"	6'-8"	1-3/8"	D7	Moulded	Painted	2	Wood	Painted	---		Closet
203	2'-6"	6'-8"	1-3/8"	D3	Moulded	Painted	2	Wood	Painted	---		Laundry
204	3'-0"	6'-8"	1-3/8"	D3	Moulded	Painted	2	Wood	Painted	---		Bedroom
205	2'-6"	6'-8"	1-3/8"	D5	Moulded	Painted	NA	Wood	Painted	---		Bathroom
206	3'-0"	6'-8"	1-3/8"	D7	Moulded	Painted	2	Wood	Painted	---		Closet
207	3'-0"	6'-8"	1-3/8"	D7	Moulded	Painted	2	Wood	Painted	---		Bedroom
208	6'-0"	6'-0"	1-3/4"	D6	MDP/Wood	Painted	1	Metal	Painted	1-hour		Balcony
209	3'-0"	6'-8"	1-3/8"	D7	Moulded	Painted	2	Wood	Painted	---		Closet
210	3'-0"	6'-8"	1-3/8"	D7	Moulded	Painted	2	Wood	Painted	---		Closet
211	1'-6"	6'-8"	1-3/8"	D3	Moulded	Painted	2	Wood	Painted	---		Partry
212	1'-6"	6'-8"	1-3/8"	D3	Moulded	Painted	2	Wood	Painted	---		Linen



DOOR TYPES  
SCALE: 1/4" = 1'-0"

Room No.	Room Name	Floor	Walls				Ceiling		Remarks
			N	S	E	W	Mat'l	Height	
201	Living Room	HW	FGWB	FGWB	FGWB	FGWB	FGWB	8'-0"	
202	Office	HW	FGWB	FGWB	FGWB	FGWB	FGWB	8'-0"	
203	Closet	HW	FGWB	FGWB	FGWB	FGWB	FGWB	8'-0"	
204	Kitchen	HW	FGWB	FGWB	FGWB	FGWB	FGWB	8'-0"	
205	Bathroom	VCT	FGWB	FGWB	FGWB	FGWB	FGWB	8'-0"	
206	Bedroom	HW	FGWB	FGWB	FGWB	FGWB	FGWB	8'-0"	
207	Bedroom	HW	FGWB	FGWB	FGWB	FGWB	FGWB	8'-0"	
208	Hallway	HW	FGWB	FGWB	FGWB	FGWB	FGWB	8'-0"	
209	Entrance Hall	VCT	FGWB	FGWB	FGWB	FGWB	FGWB	8'-0"	
210	Closet	HW	FGWB	FGWB	FGWB	FGWB	FGWB	8'-0"	
211	Laundry	VCT	FGWB	FGWB	FGWB	FGWB	FGWB	8'-0"	
212	Stairway	VCT	FGWB	FGWB	FGWB	FGWB	FGWB	8'-0"	
213	Closet	HW	FGWB	FGWB	FGWB	FGWB	FGWB	8'-0"	
214	Closet	HW	FGWB	FGWB	FGWB	FGWB	FGWB	8'-0"	

FGWB Painted Gypsum Wall Board  
VCT Vinyl Composition Tile  
HW Hard Wood  
CT Ceramic Tile  
Conc Concrete  
VST Vinyl Stair Tread

SCHEULES  
NTS

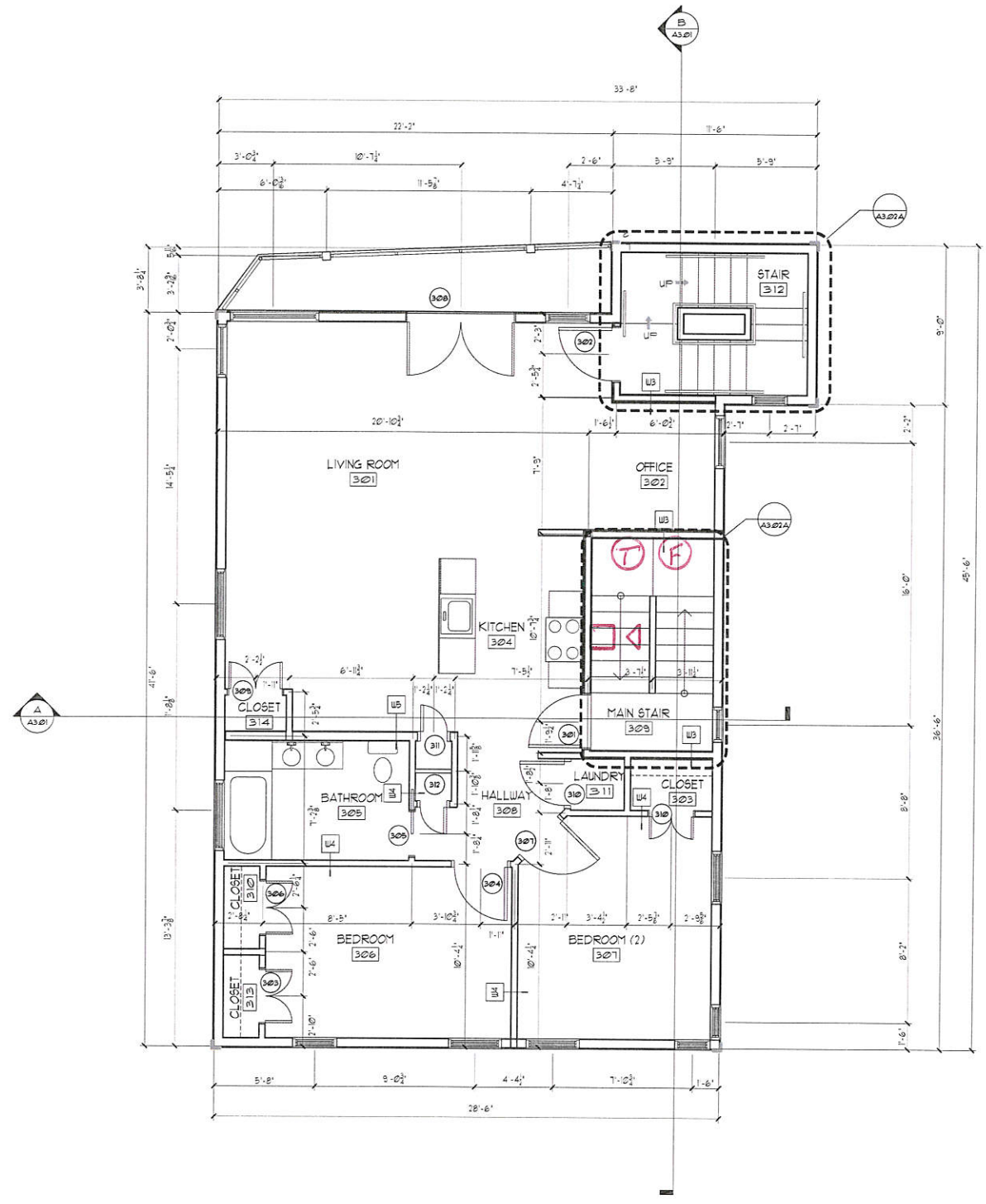


New Three Unit at 52 Federal Street  
Portland, Maine  
Owners: Liv Chase & Brent Adler

Rev.	Date	Remark
A	09-13-11	Issued for pricing
B	10-13-11	Issued for Permitting
C	01-23-12	Re-issued for Permitting
D	02-06-12	Re-issued for Permitting

CODE: IBC 2009  
TOWN: Portland  
DATE: 09-13-11  
SCALE: as noted  
DESIGNED: LC  
DRAWN: JJO  
TITLE: Second Floor Plan  
FILE:  
SHEET: A1.03

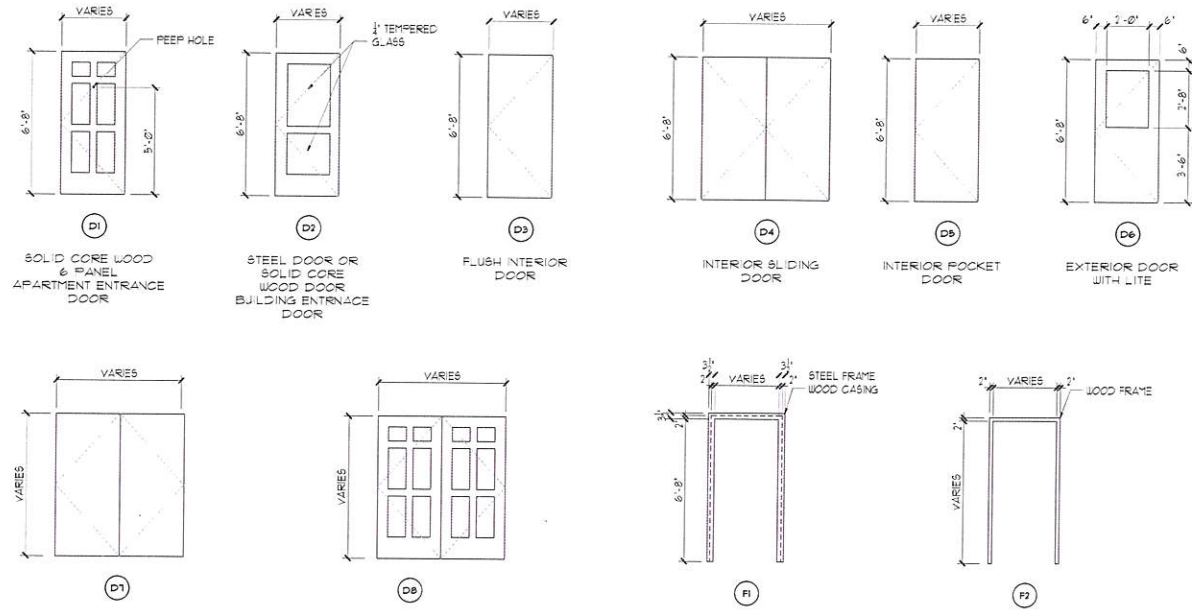




THIRD FLOOR PLAN  
SCALE: 1/4" = 1'-0"

**Door Schedule**

Door No	Size			Door			Frame			Label	Hardware Set	Remarks
	Width	Height	Thickness	Type	Material	Finish	Type	Material	Finish			
301	3'-0"	6'-8"	1-3/4"	D1	MDF/Wood	Natural	1	Metal	Painted	2-hour		Stairway
302	3'-0"	6'-8"	1-3/4"	D1	MDF/Wood	Natural	1	Metal	Painted	2-hour		Stairway
303	3'-0"	6'-8"	1-3/8"	D7	Moulded	Painted	2	Wood	Painted	---		Closet
304	3'-0"	6'-8"	1-3/8"	D3	Moulded	Painted	2	Wood	Painted	---		Bedroom
305	2'-6"	6'-8"	1-3/8"	D3	Moulded	Painted	2	Wood	Painted	---		Bathroom
306	3'-0"	6'-8"	1-3/8"	D7	Moulded	Painted	2	Wood	Painted	---		Closet
307	3'-0"	6'-8"	1-3/8"	D3	Moulded	Painted	2	Wood	Painted	---		Bedroom
308	6'-0"	6'-8"	1-3/4"	D8	MDF/Wood	Natural	1	Wood	Painted	1-hour		Balcony
309	3'-0"	6'-8"	1-3/8"	D7	Moulded	Painted	2	Wood	Painted	---		Closet
310	3'-0"	6'-8"	1-3/8"	D7	Moulded	Painted	2	Wood	Painted	---		Laundry
311	1'-6"	6'-8"	1-3/8"	D7	Moulded	Painted	2	Wood	Painted	---		Pantry
312	1'-6"	6'-8"	1-3/8"	D7	Moulded	Painted	2	Wood	Painted	---		Liner



DOOR TYPES  
SCALE: 1/4" = 1'-0"

**Room Finish Schedule**

Room No.	Room Name	Floor	Walls				Ceiling		Remarks
			N	S	E	W	Mat'l	Height	
301	Living Room	HW	PGWB	PGWB	PGWB	PGWB	PGWB	8'-0"	
302	Office	HW	PGWB	PGWB	PGWB	PGWB	PGWB	8'-0"	
303	Closet	HW	PGWB	PGWB	PGWB	PGWB	PGWB	8'-0"	
304	Kitchen	HW	PGWB	PGWB	PGWB	PGWB	PGWB	8'-0"	
305	Bathroom	VCT	PGWB	PGWB	PGWB	PGWB	PGWB	8'-0"	
306	Bedroom	HW	PGWB	PGWB	PGWB	PGWB	PGWB	8'-0"	
307	Bedroom	HW	PGWB	PGWB	PGWB	PGWB	PGWB	8'-0"	
308	Hallway	HW	PGWB	PGWB	PGWB	PGWB	PGWB	8'-0"	
309	Entrance Hall	VCT	PGWB	PGWB	PGWB	PGWB	PGWB	8'-0"	
310	Closet	HW	PGWB	PGWB	PGWB	PGWB	PGWB	8'-0"	
311	Laundry	VCT	PGWB	PGWB	PGWB	PGWB	PGWB	8'-0"	
312	Stairway	VCT	PGWB	PGWB	PGWB	PGWB	PGWB	8'-0"	
313	Closet	HW	PGWB	PGWB	PGWB	PGWB	PGWB	8'-0"	
314	Closet	HW	PGWB	PGWB	PGWB	PGWB	PGWB	8'-0"	

PGWB Painted Gypsum Wall Board  
VCT Vinyl Composition Tile  
HW Hard Wood  
CT Ceramic Tile  
Conc Concrete  
VST Vinyl Stair Tread

Rev.	Date	Remark
A	09-13-11	Issued for pricing
B	10-13-11	Issued for Permitting
C	01-23-12	RE-Issued for Permitting
D	02-06-12	Re-Issued for Permitting
CODE: IBC 2009		
TOWN: Portland		
DATE: 09-13-11		
SCALE: as noted		
DESIGNED: LC		
DRAWN: JJO		
TITLE: Third Floor Plan Schedules		
FILE:		
SHEET: A1.04		