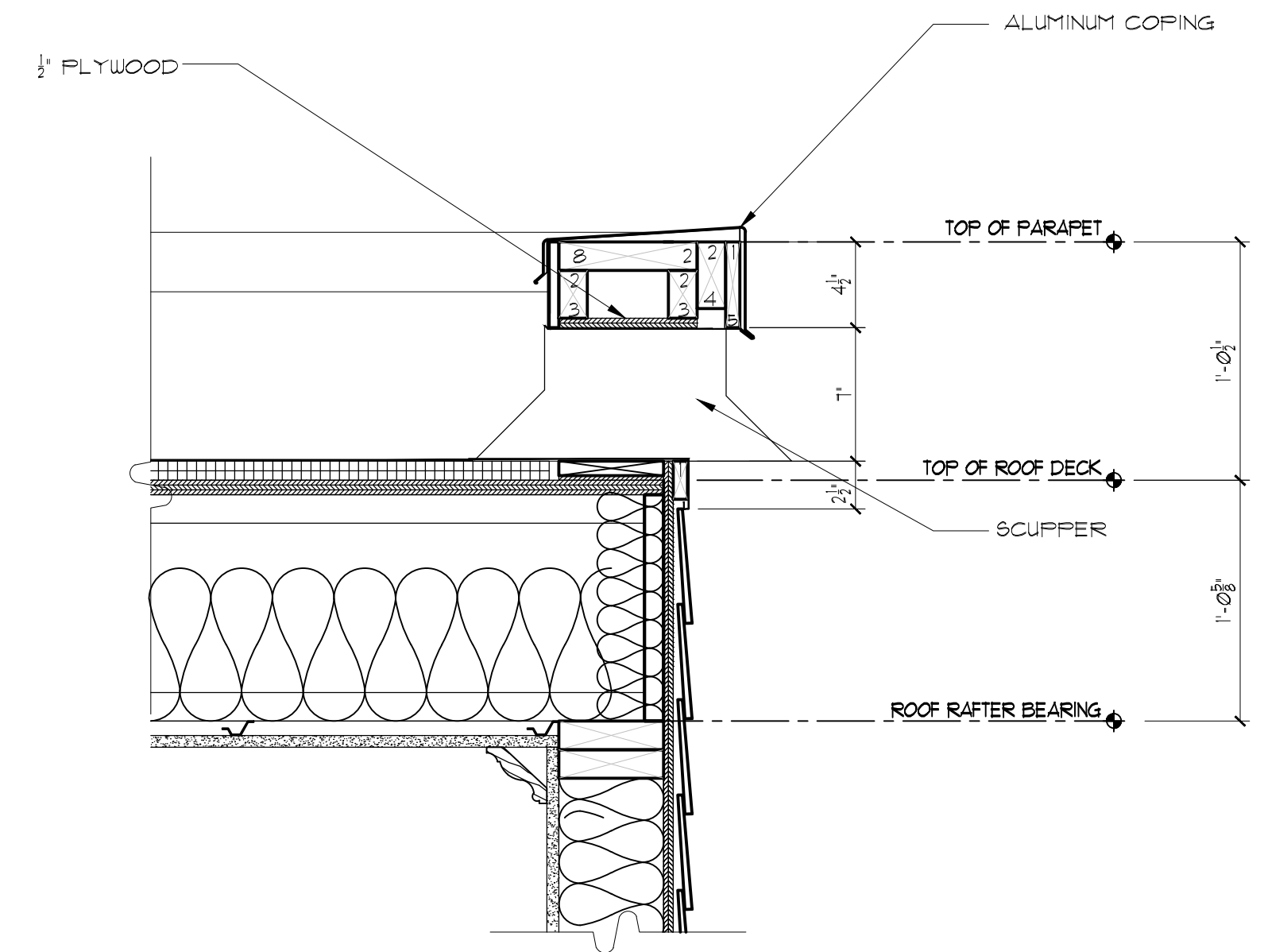
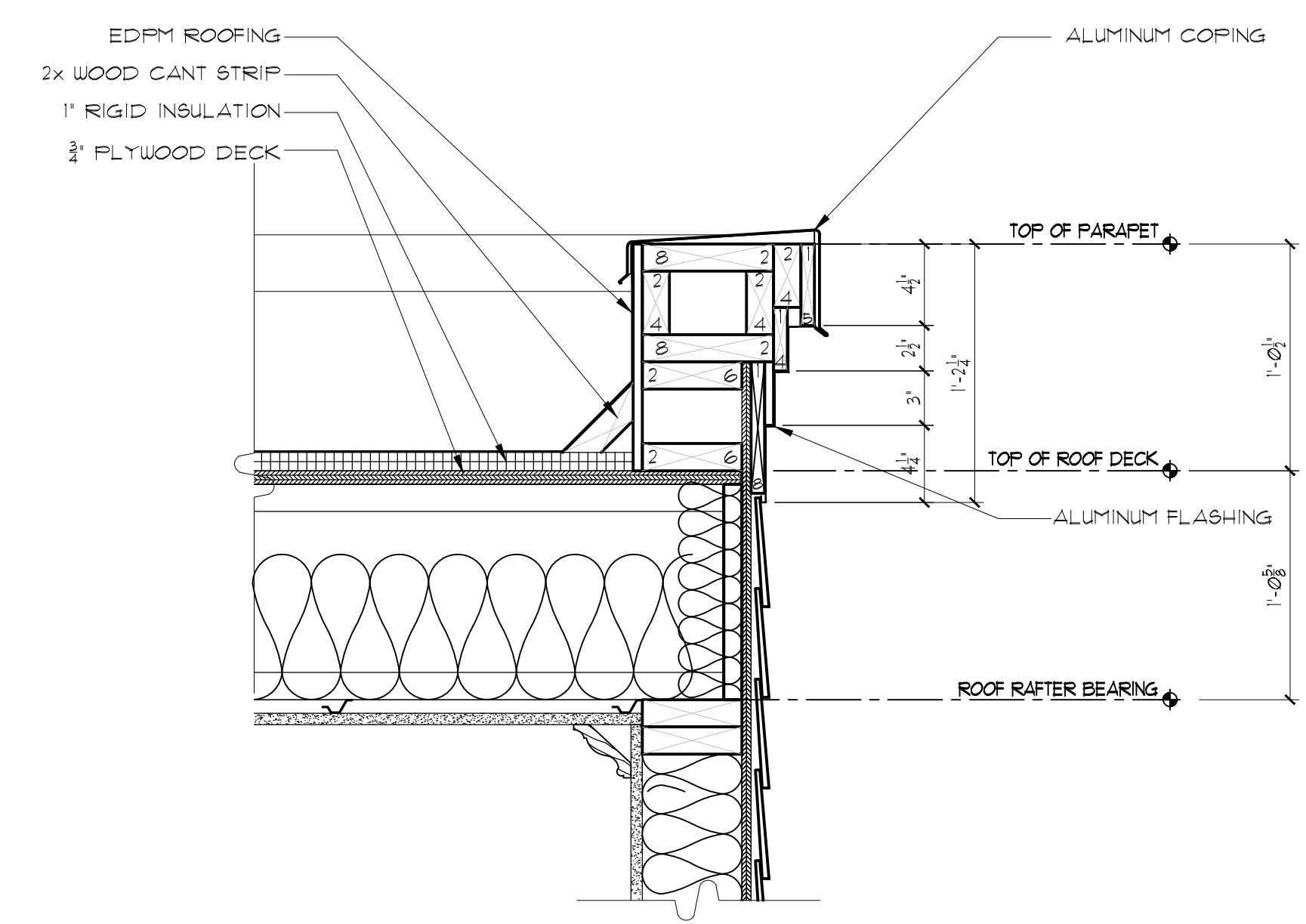
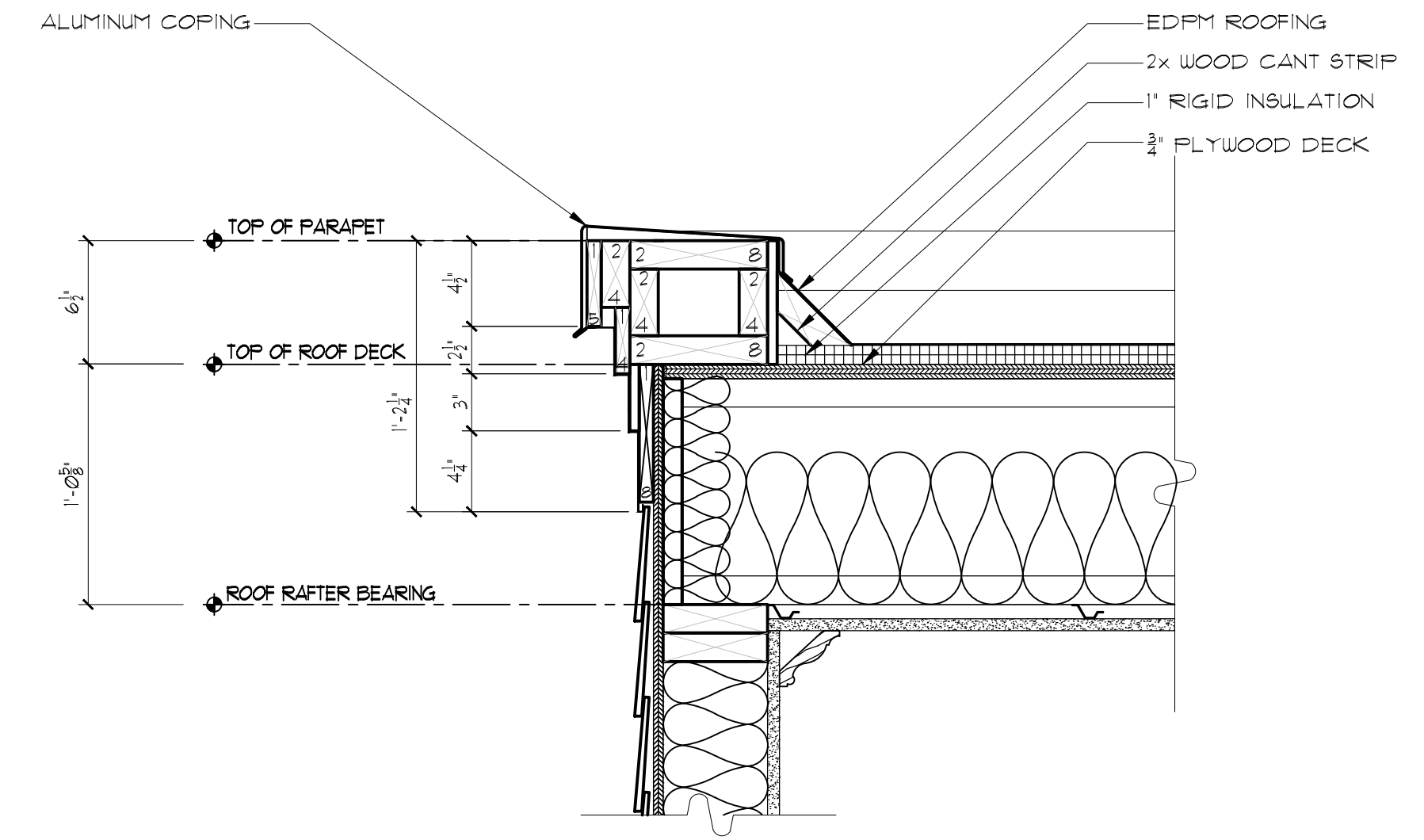
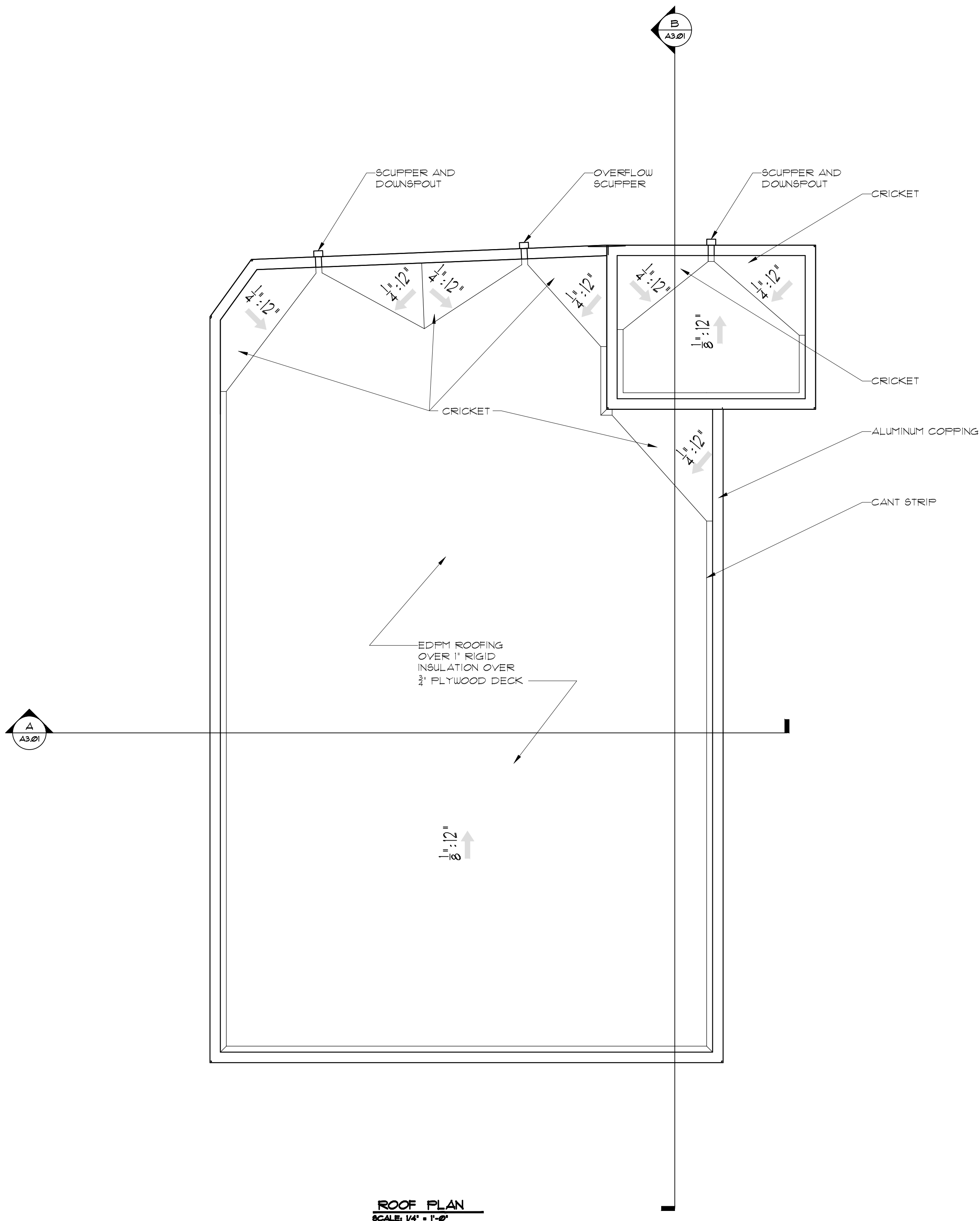


New Three Unit at 52 Federal Street
Portland, Maine
Owners: Liv Chase & Brent Adler



Rev.	Date	Remark
A	09-13-11	Issued for pricing
B	10-13-11	Issued for Permitting
C	01-23-12	RE-Issued for Permitting
D	02-06-12	Re-Issued for Permitting
E	06-14-12	Revised roof plan

CODE: IBC 2009
TOWN: Portland
DATE: 09-13-11
SCALE: as noted
DESIGNED: LC
DRAWN: JJO
TITLE: ROOF PLAN & DETAILS
FILE:
SHEET: A1.05