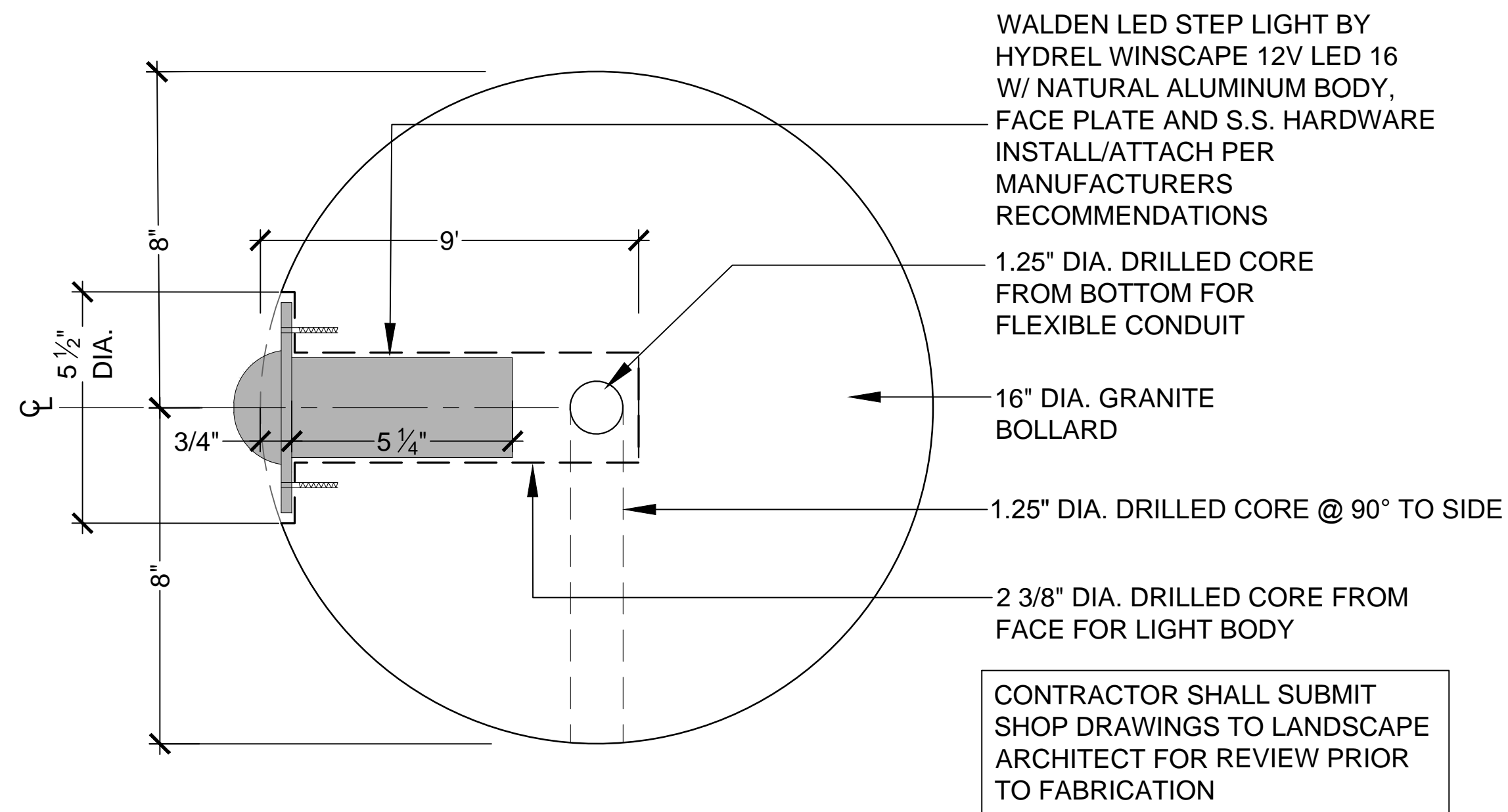
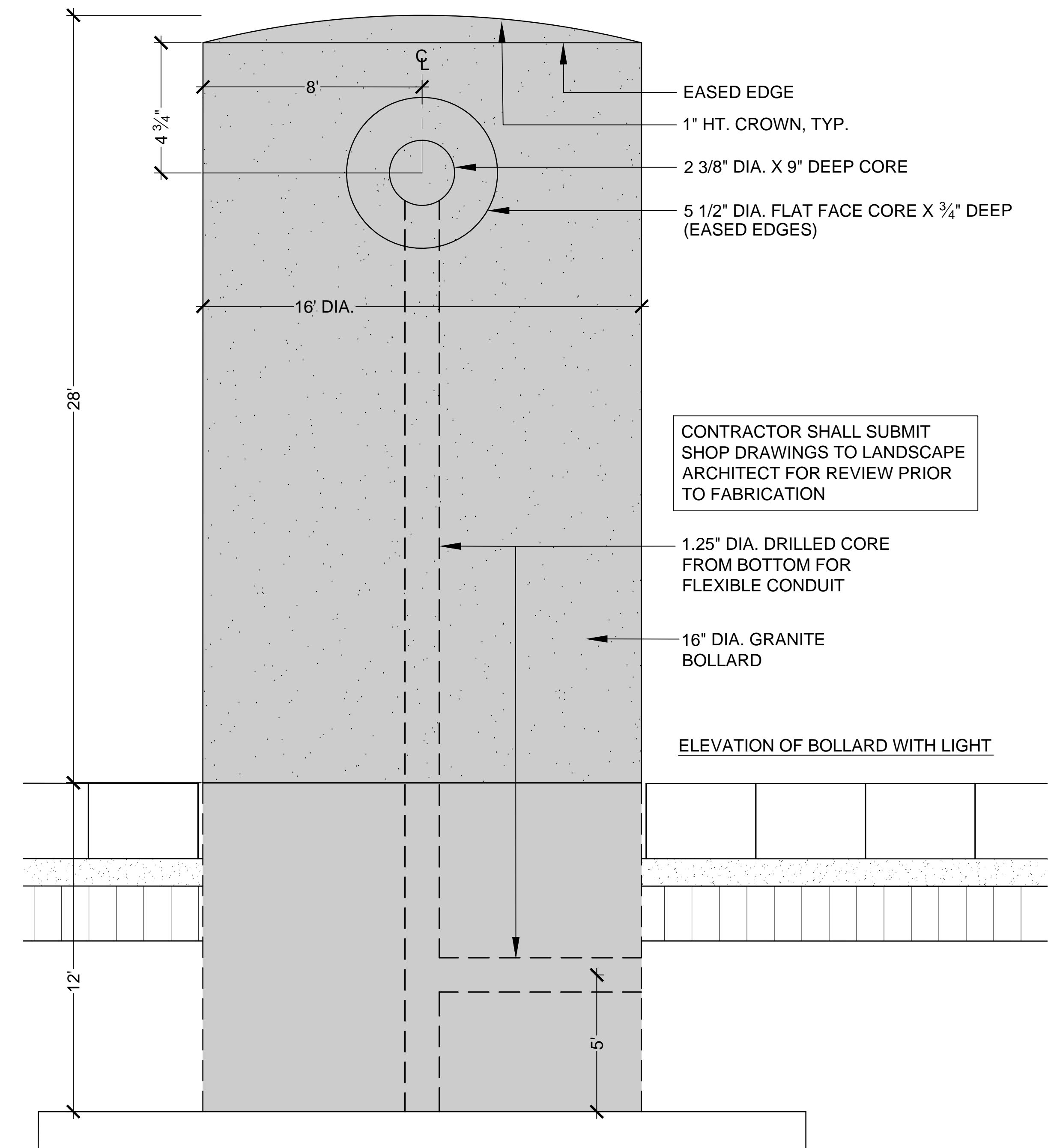
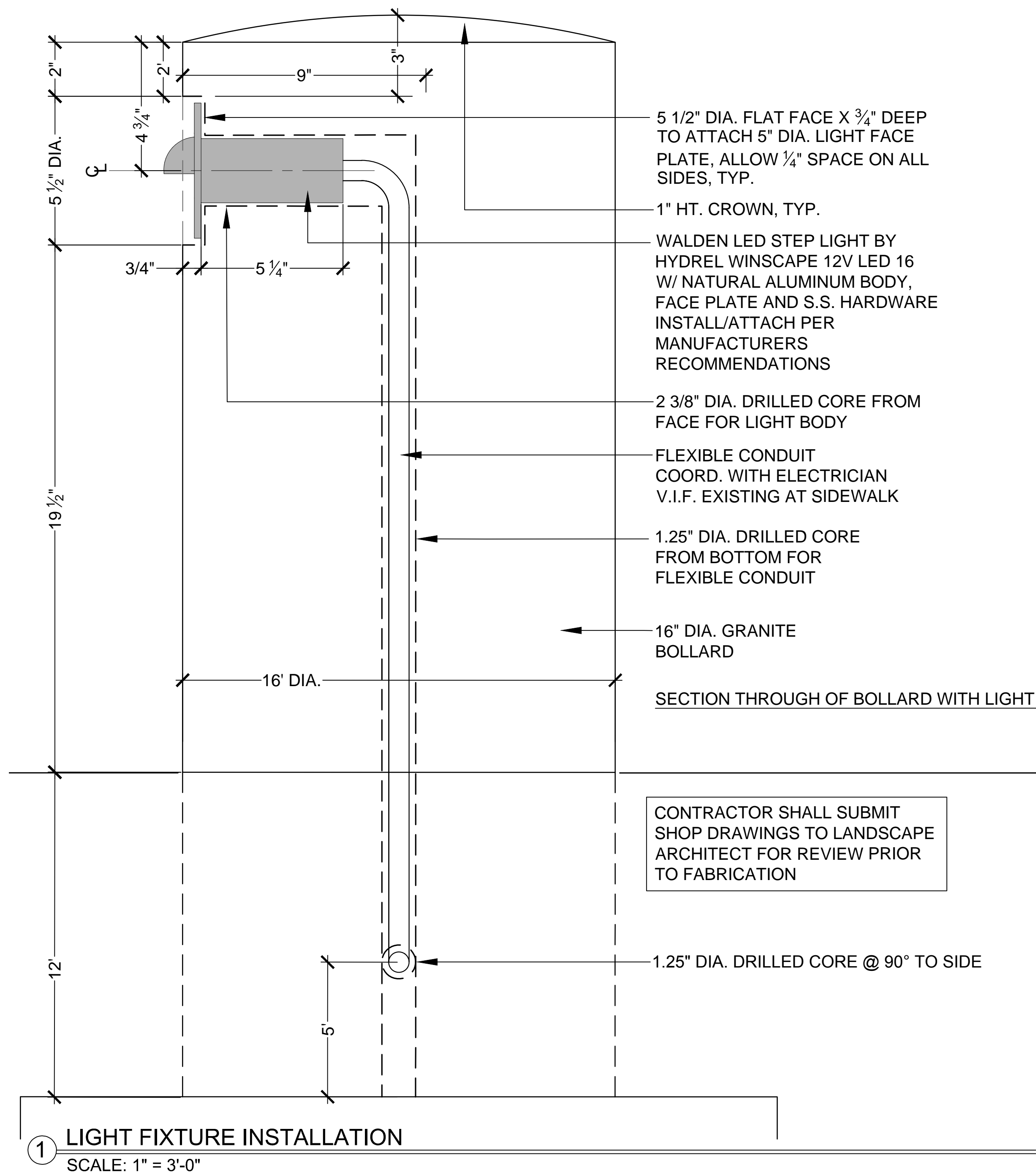


SECTION THROUGH TOP OF BOLLARD FOR LIGHT CUT OUT



SECTION THROUGH TOP OF BOLLARD WITH LIGHT



1 LIGHT FIXTURE INSTALLATION
SCALE: 1" = 3'-0"

NO.	REVISION	DATE
SCALE: 1"=10'-0"		DRAWN BY: MAP
DATE: 07/25/2016		CHECKED BY: PC

CARROLL ASSOCIATES
200 COMMERCIAL ST. PORTLAND, ME 04101
TEL. 207.772.1552 FAX: 207.772.0712

PROJECT

**RESIDENCE INN
BY MARRIOTT**

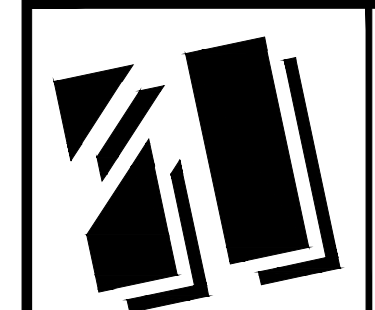
PORTLAND, ME

JOB #802

TITLE

SITE DETAILS

GROUP ONE
21 W. THIRD STREET, BOSTON, MA 02127
TEL. (617)268-7000 FAX: (617)268-0209



DRAWING NO.

L-2.0