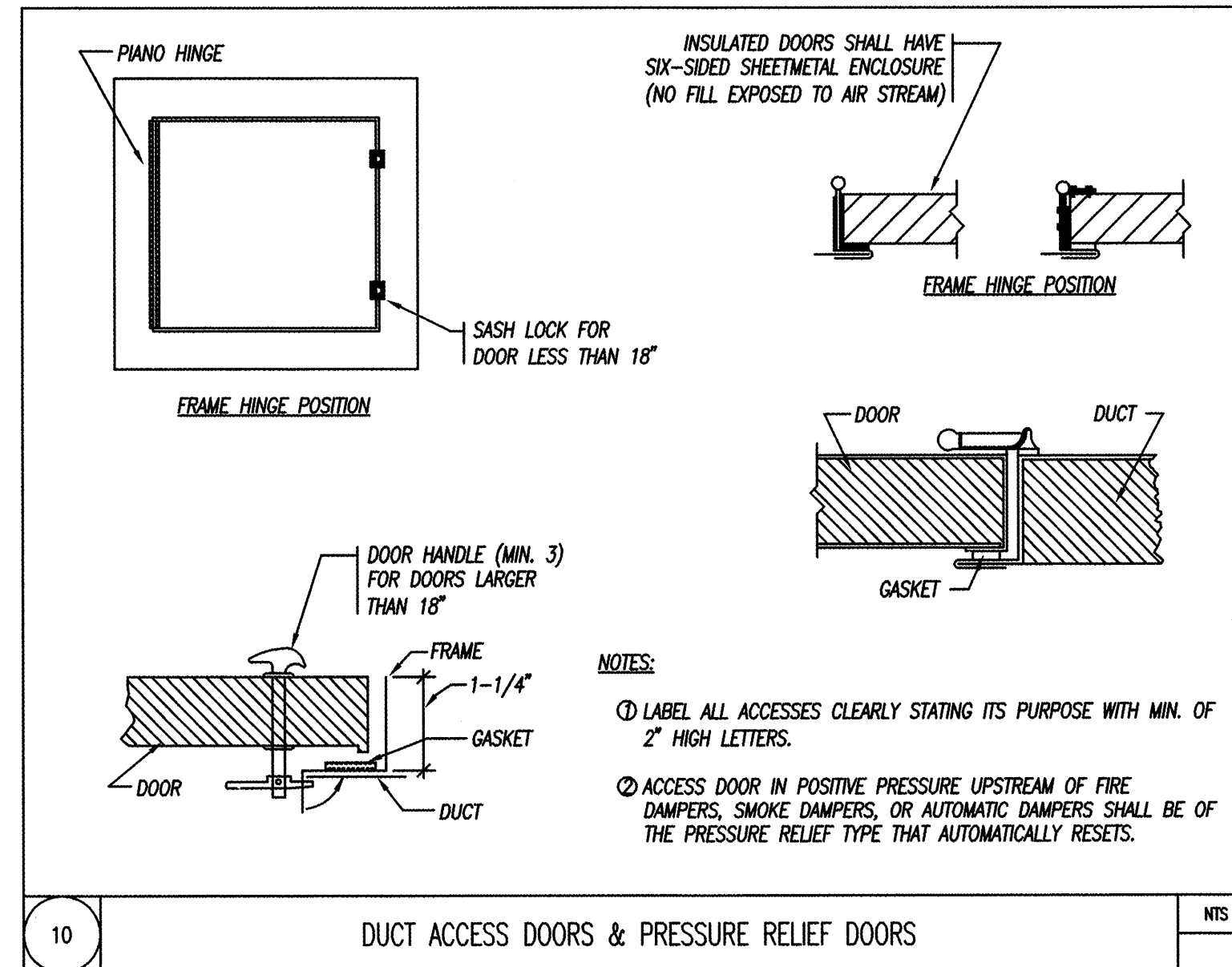


9

DUCT HANGER DETAIL (LOW VELOCITY)

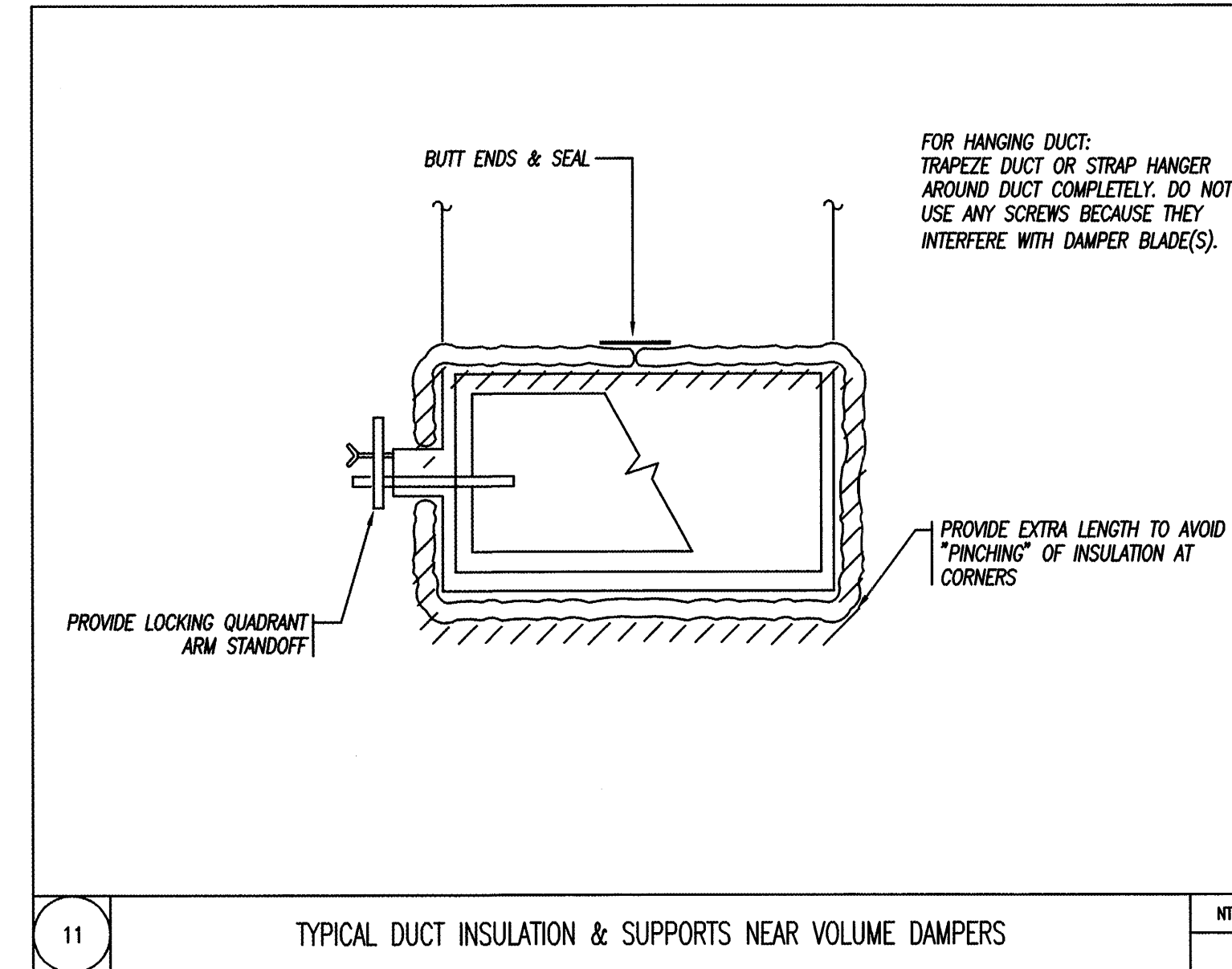
NTS



10

DUCT ACCESS DOORS & PRESSURE RELIEF DOORS

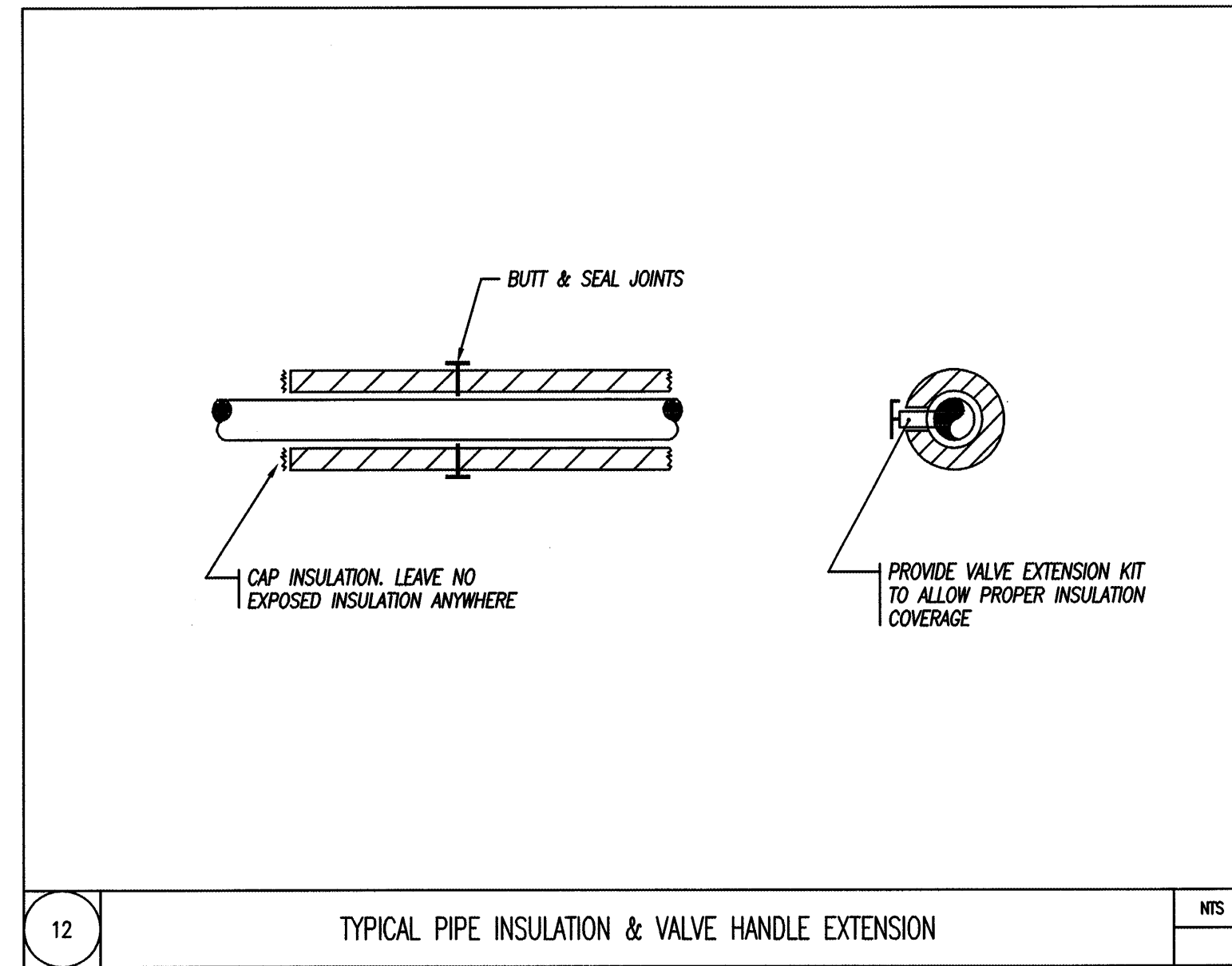
NTS



11

TYPICAL DUCT INSULATION & SUPPORTS NEAR VOLUME DAMPERS

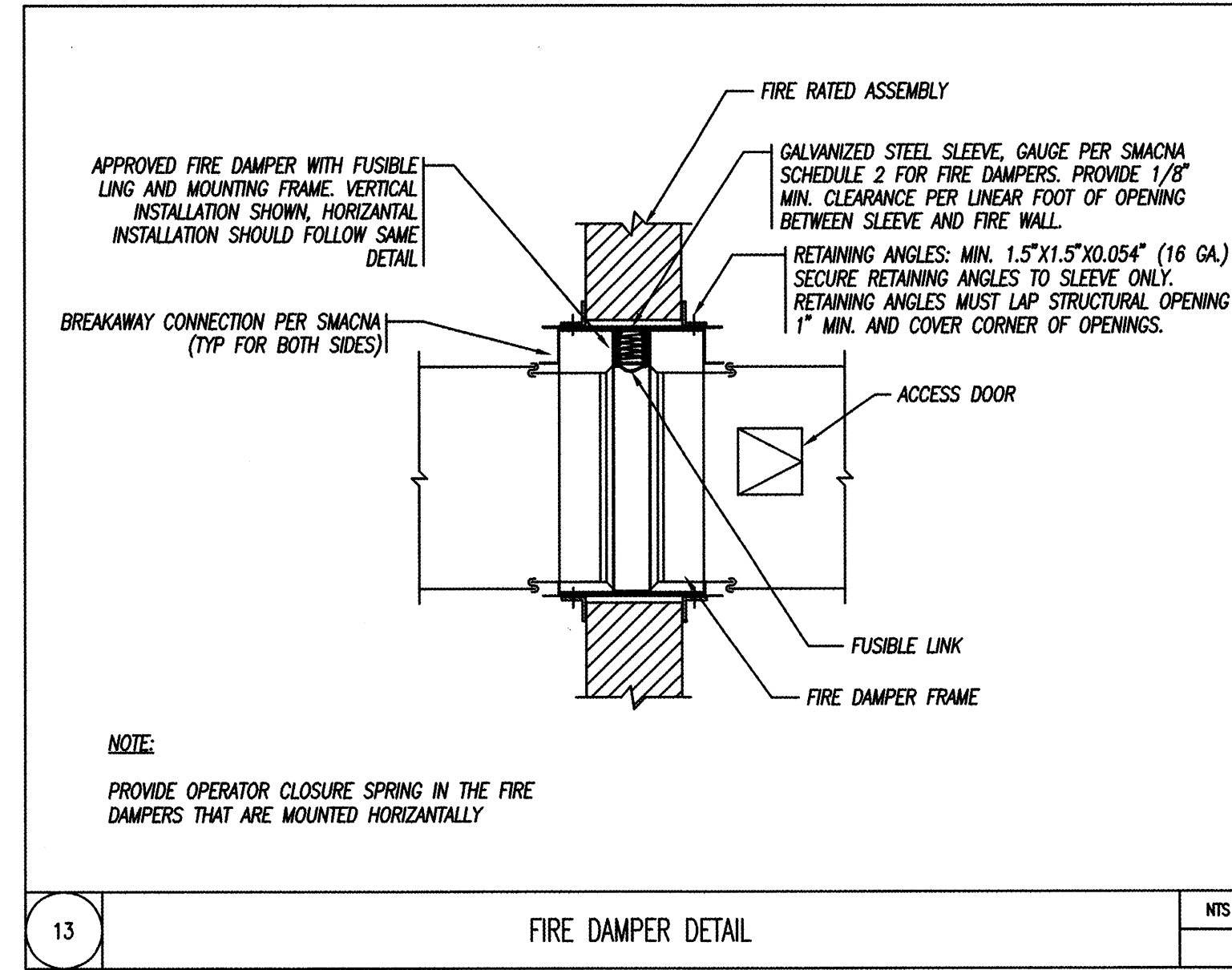
NTS



12

TYPICAL PIPE INSULATION & VALVE HANDLE EXTENSION

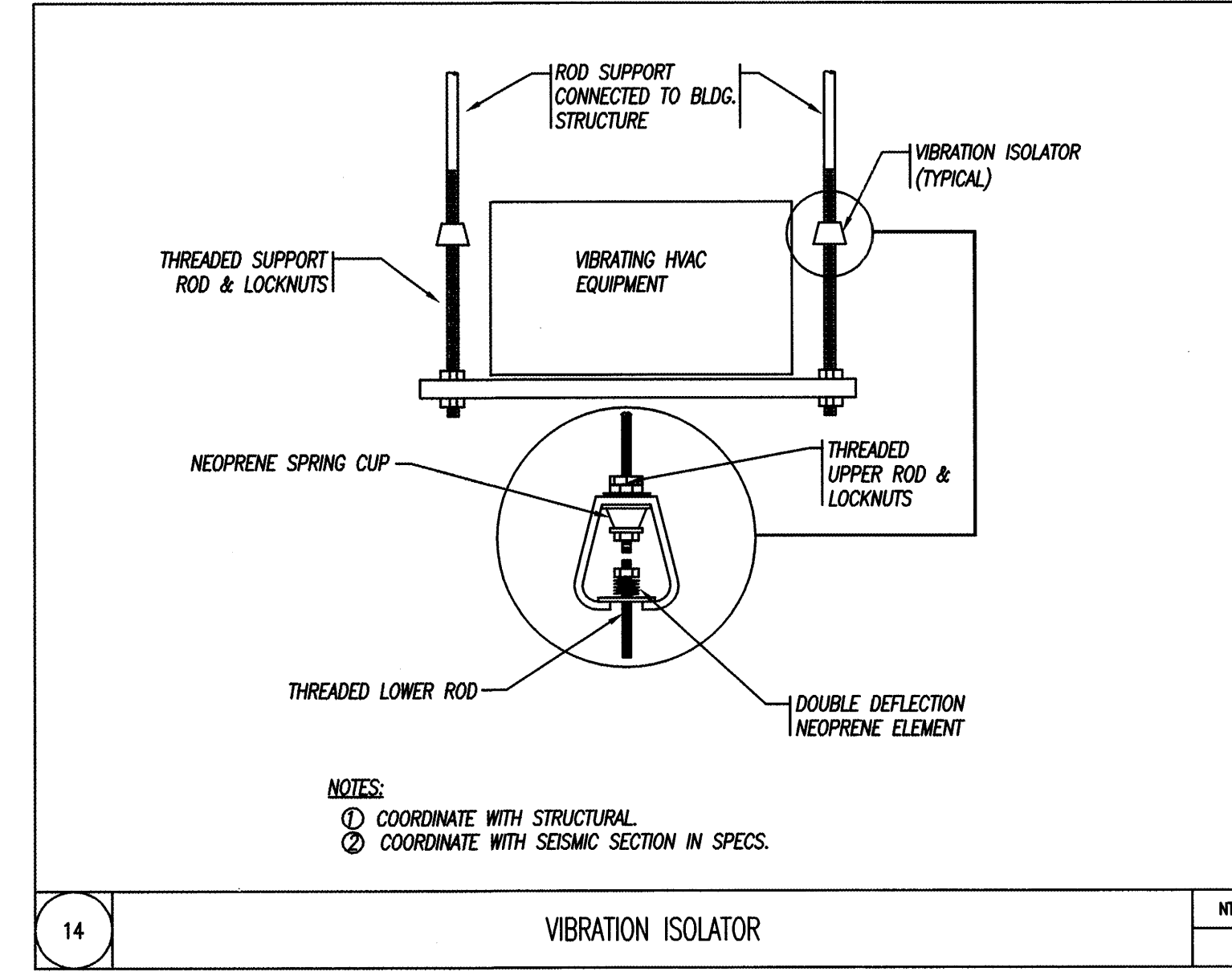
NTS



13

FIRE DAMPER DETAIL

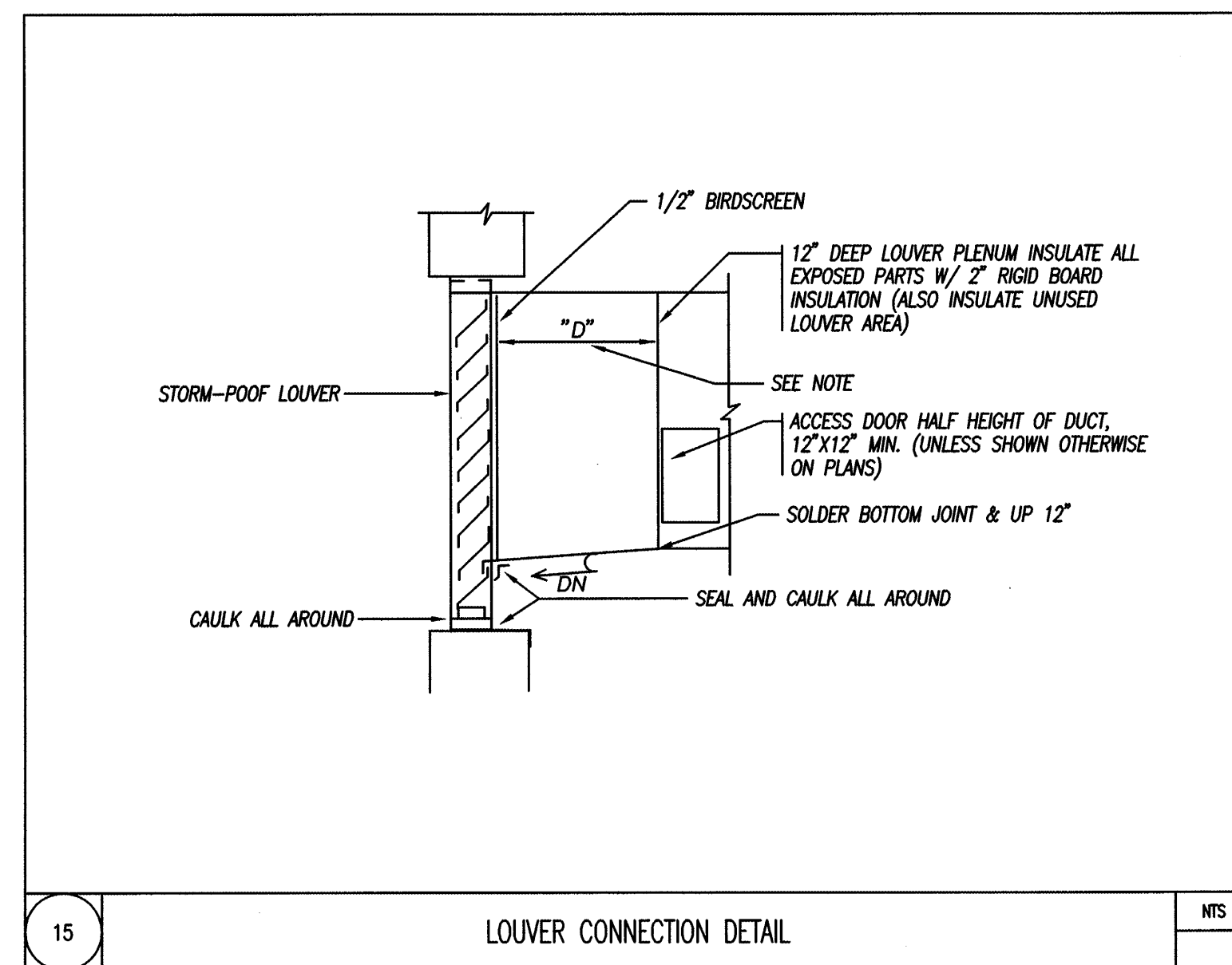
NTS



14

VIBRATION ISOLATOR

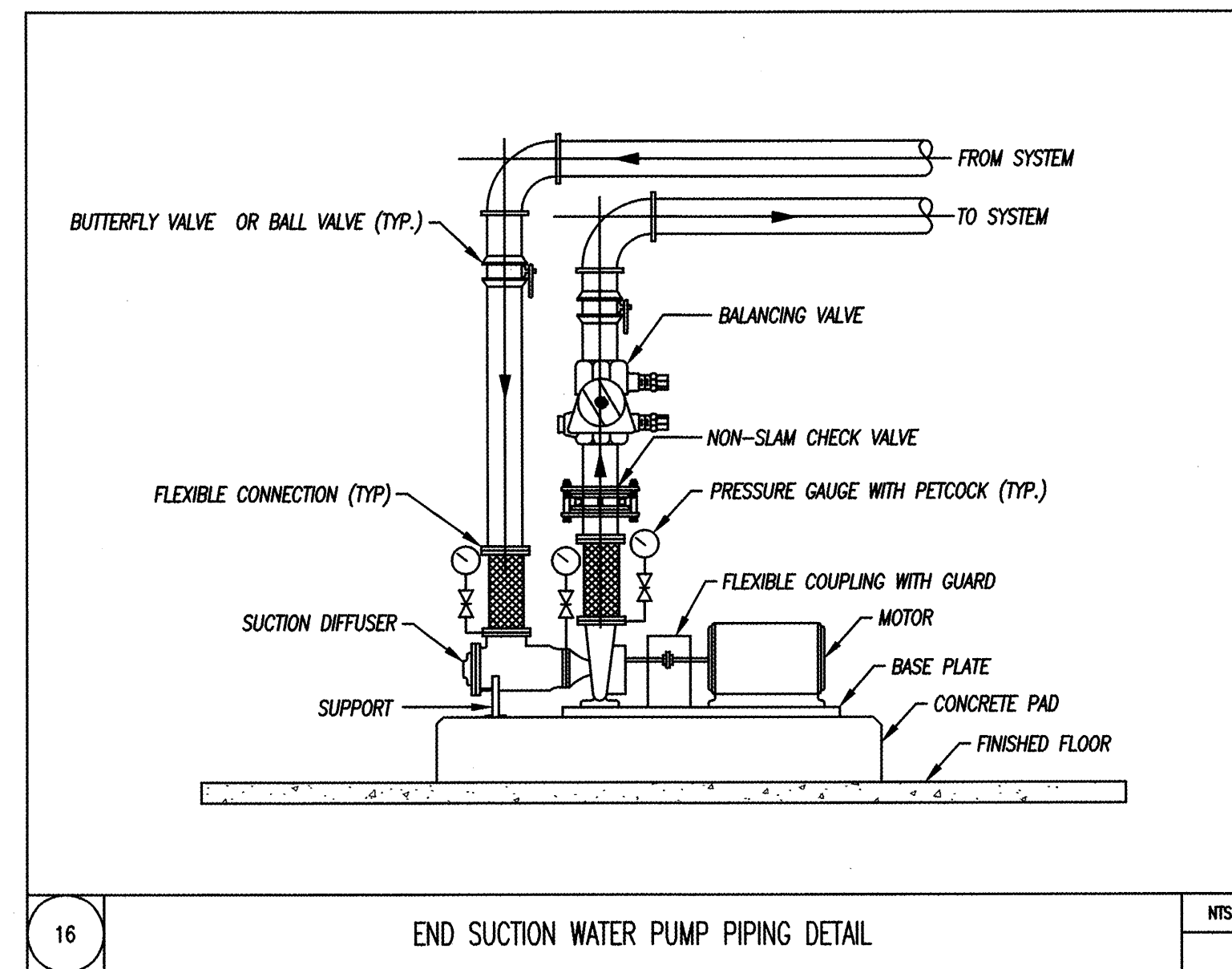
NTS



15

LOUVER CONNECTION DETAIL

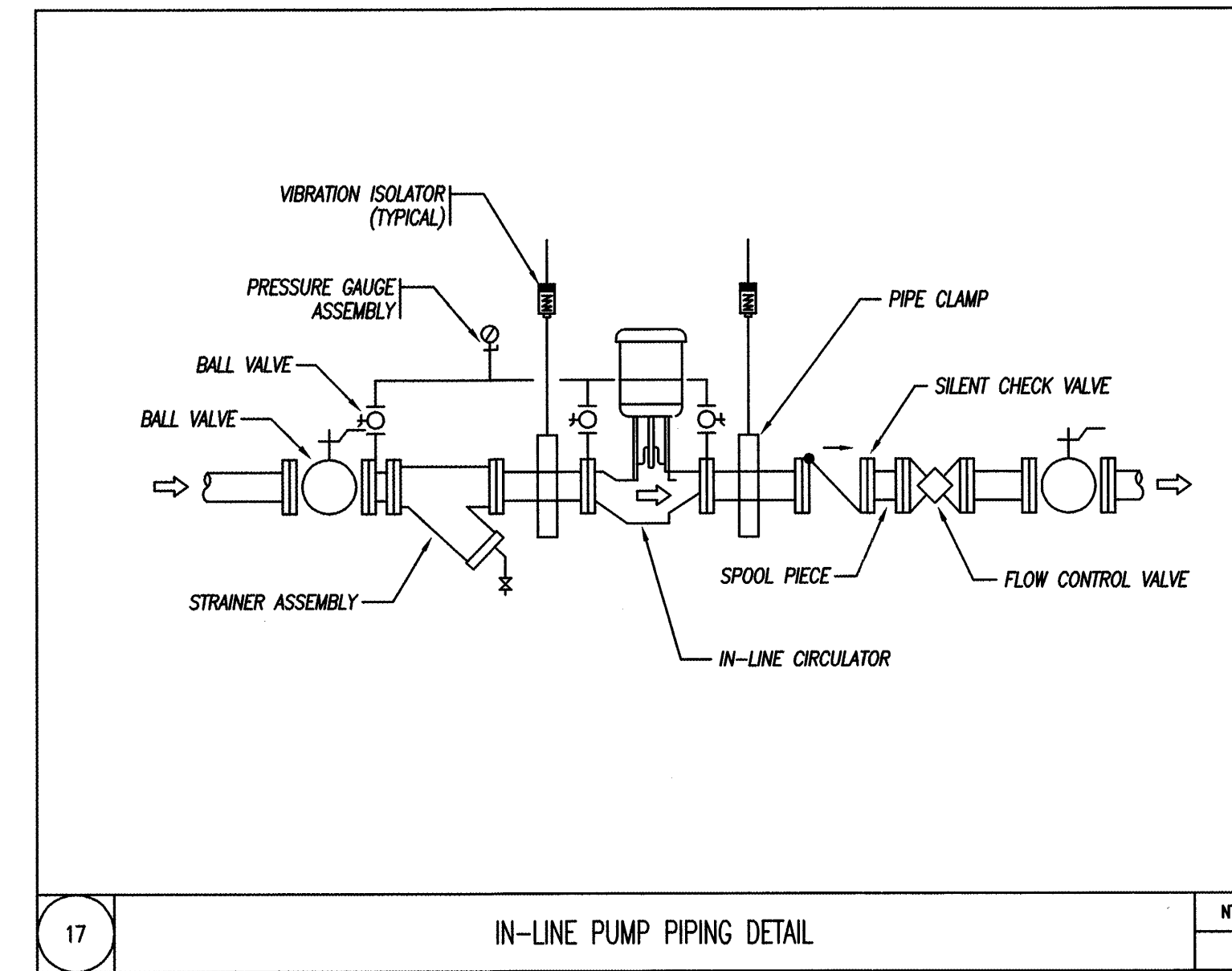
NTS



16

END SUCTION WATER PUMP PIPING DETAIL

NTS



17

IN-LINE PUMP PIPING DETAIL

NTS

PERMIT ISSUE - 09/27/07

NO.	REVISION	DATE
SCALE: 3/32"=1' 0"	DRAWN BY: MJR	
DATE: 09/27/07	CHECKED BY: JCL	

PAUL D. SULLIVAN
No. 9911

R.W. Sullivan Engineering
Hvac, Electrical, Plumbing, Fire Protection, Code
The Schroll Center
520 Main Street, Suite 203
Boston, Massachusetts 02129-1107
Phone: (617) 523-8227
Fax: (617) 523-8076
www.rwsinc.com
RWS Job No. 2273.00

PROJECT

**RESIDENCE INN
BY MARRIOTT**

PORTLAND, ME

JOB# 802

TITLE

**HVAC
DETAILS**

GROUP ONE
21 W. THIRD STREET, BOSTON, MA 02127
TEL: (617)268-7000 FAX: (617)268-0209

DRAWING NO.
H0.04