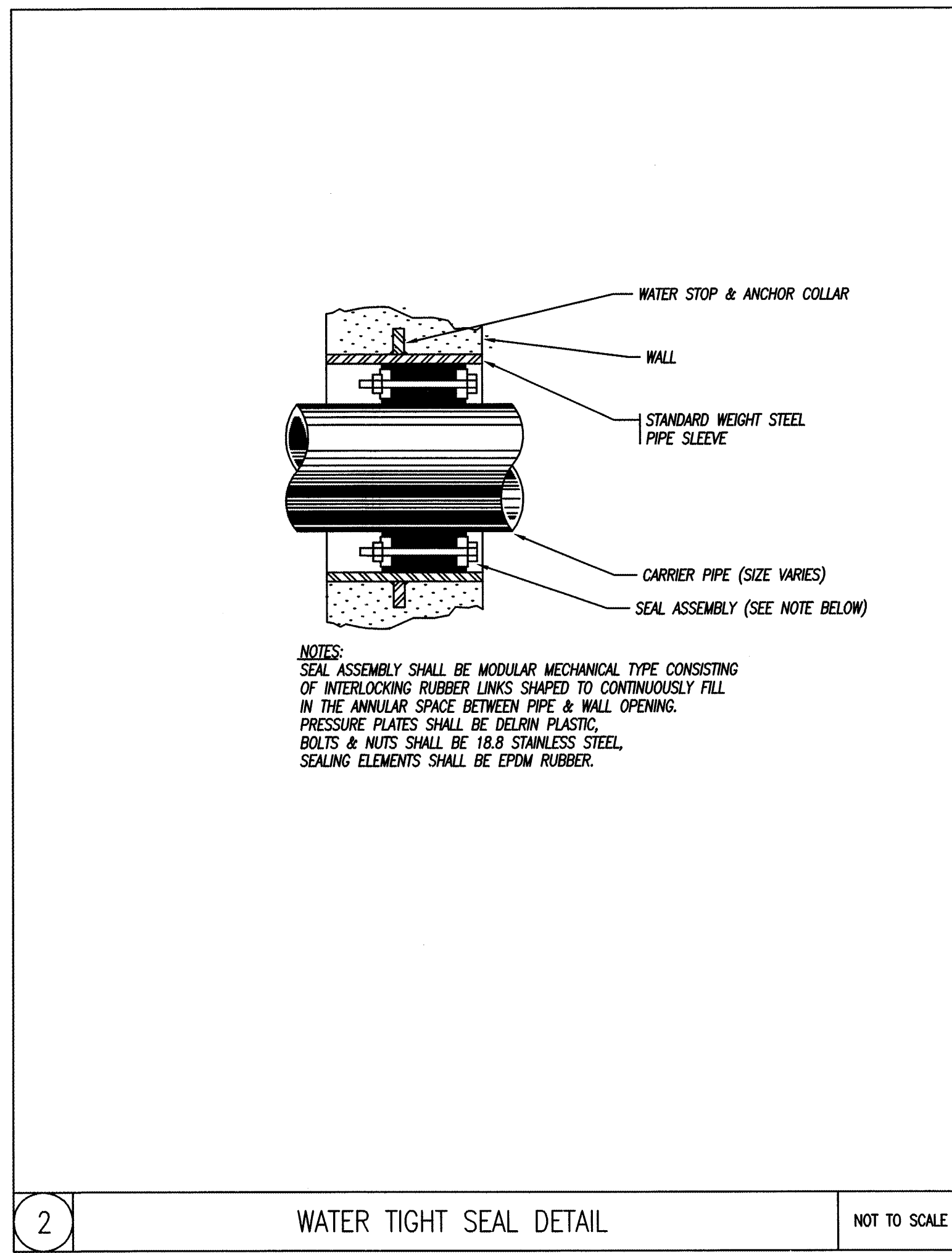
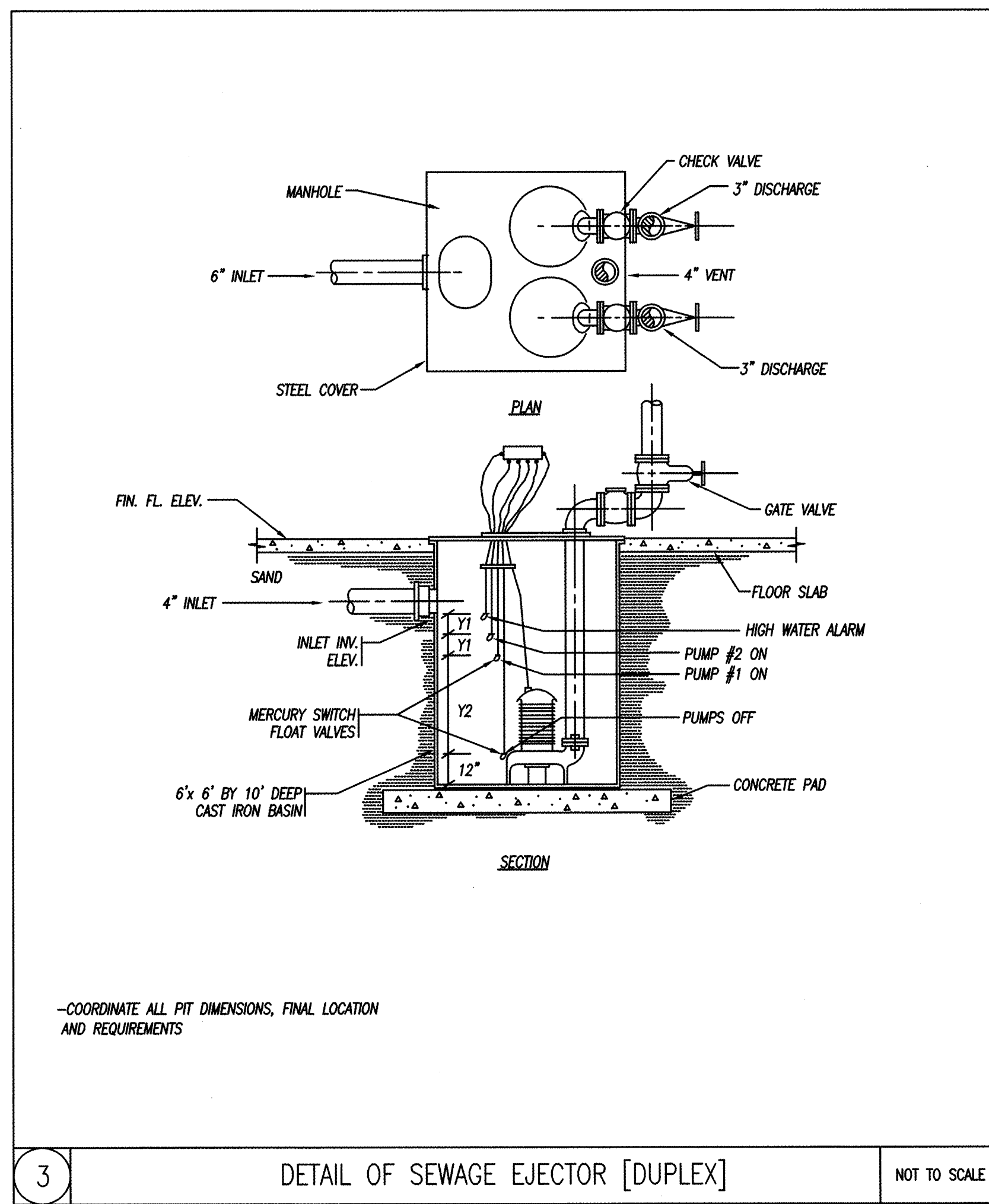
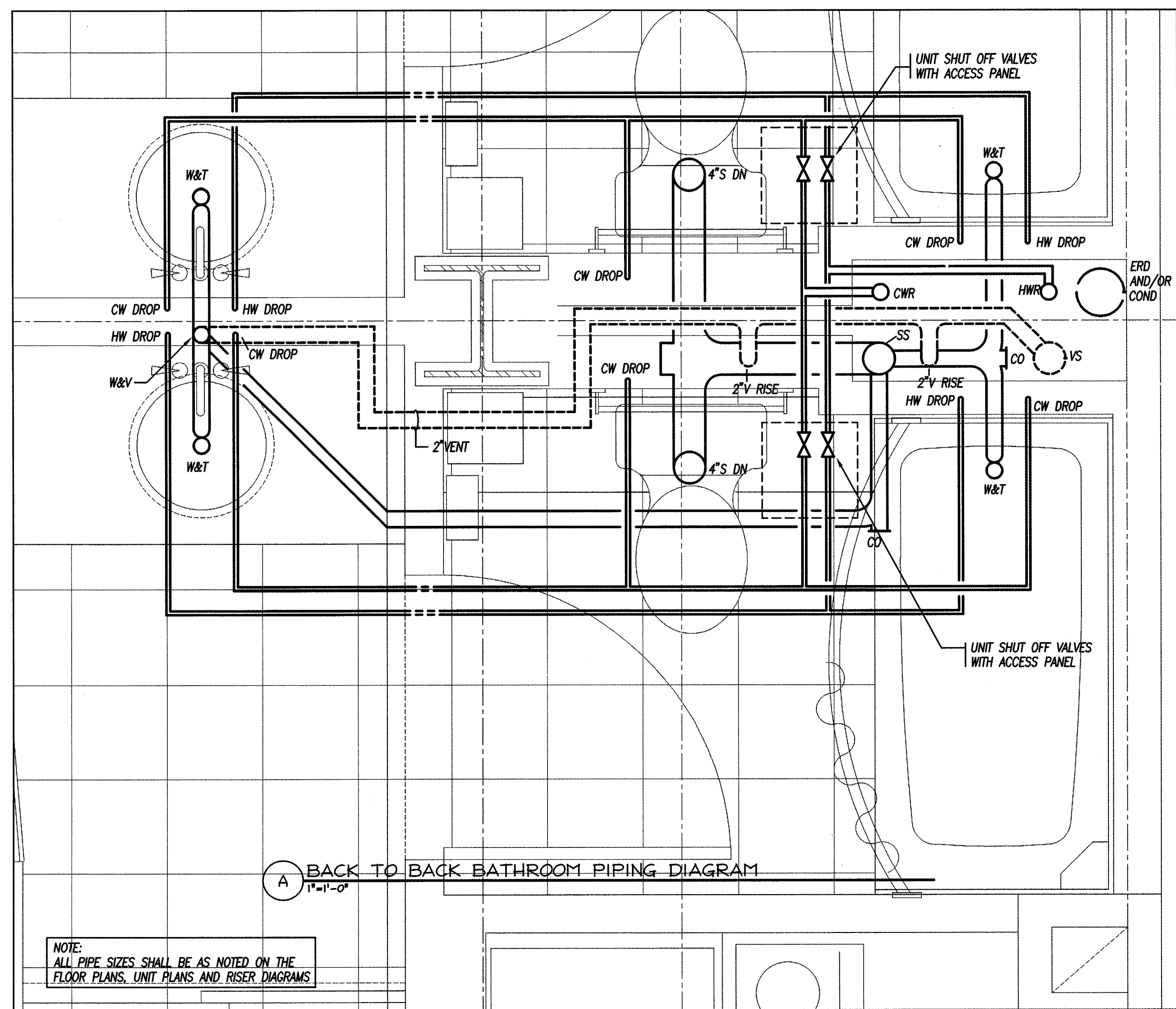
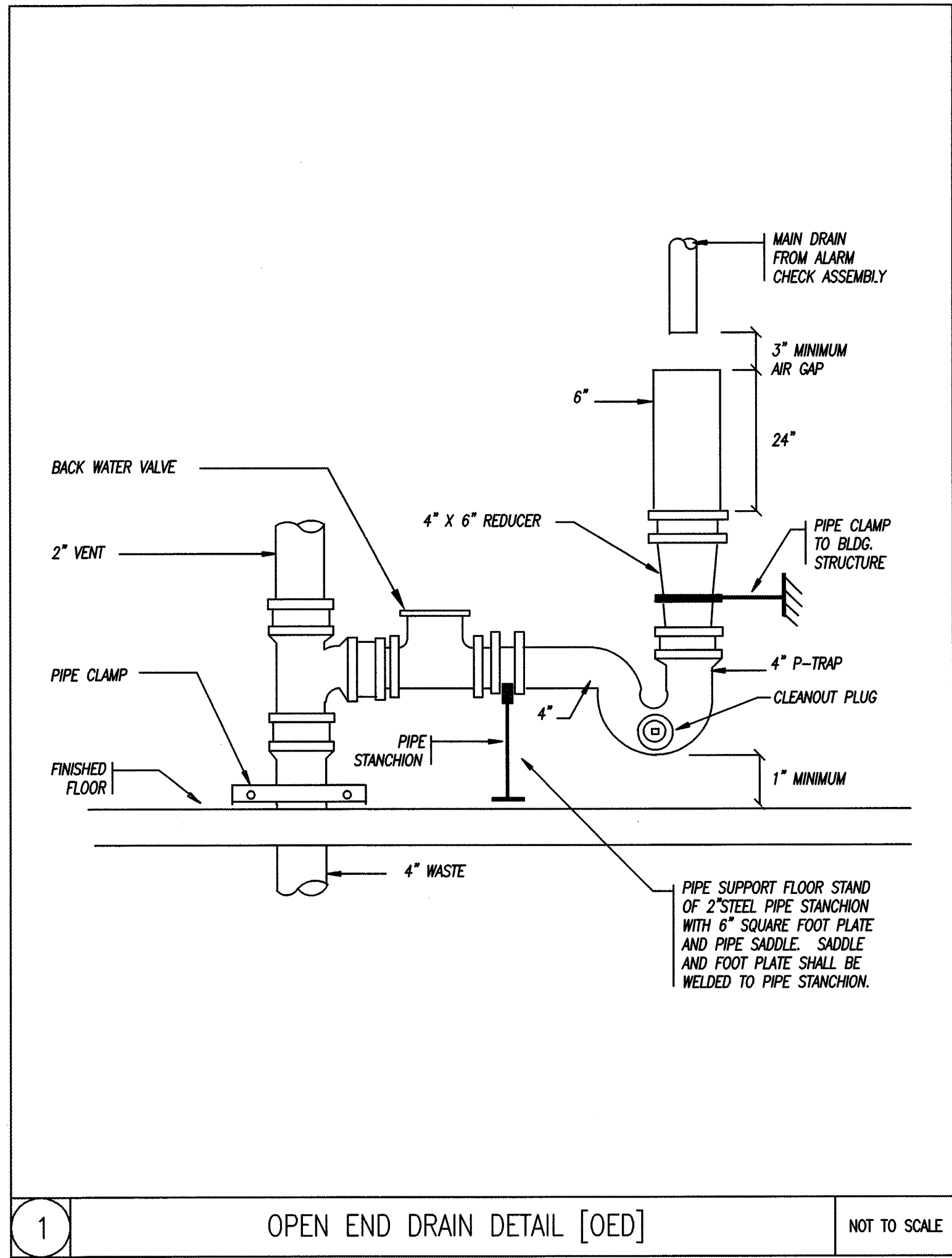
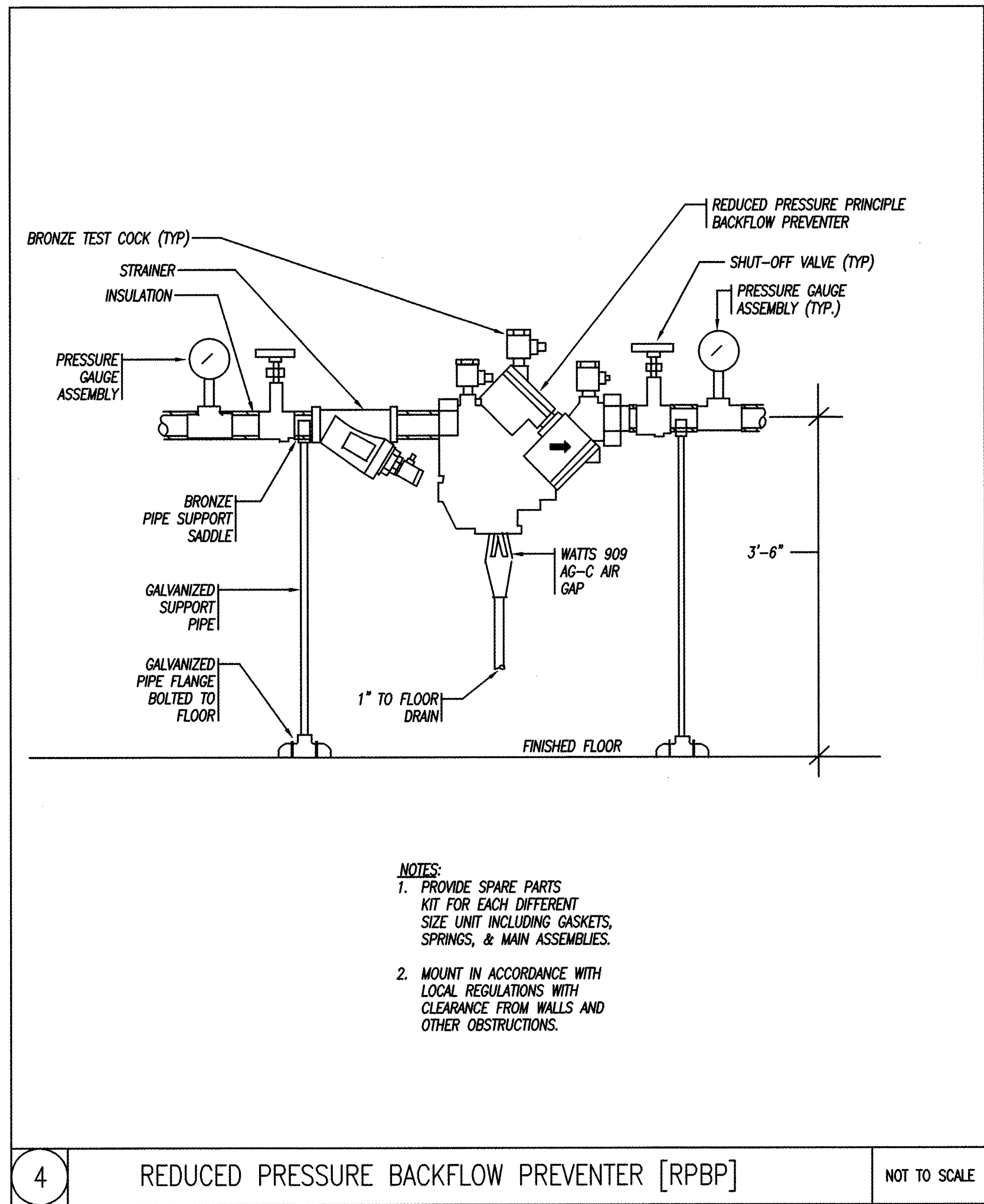
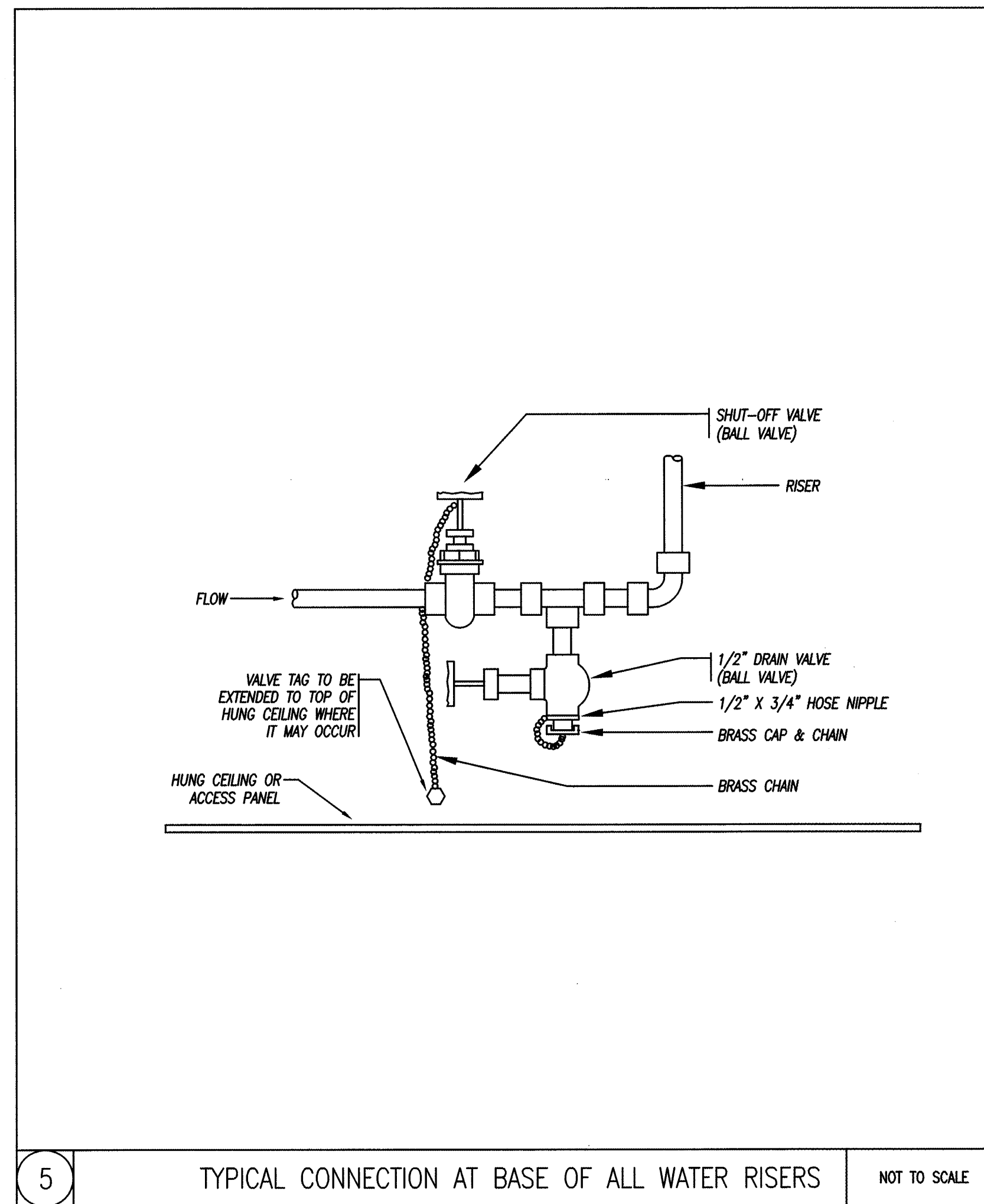


J:\2007\1802-08 June 2006\21192274-00\Drawings\21192274-00_P0.2.dwg, 8/27/2007 1:22:13 PM, W



PERMIT ISSUE - 09/27/07

NO.	REVISION	DATE
SCALE: AS NOTED	DRAWN BY: EMG	
DATE: 09/27/07	CHECKED BY: RJM	

PAUL D. SULLIVAN
No. 8911

R. W. Sullivan Engineering
Hvac, Electrical, Plumbing, Fire Protection, Code
The Service Center
529 Main Street, Suite 203
Boston, Massachusetts 02129-1107
Phone: (617) 523-8277
Fax: (617) 523-8216
www.rwsusa.com
RWS Job No. 2273.00

PROJECT

RESIDENCE INN BY MARRIOTT

PORTLAND, ME

JOB# 802

TITLE

PLUMBING DETAILS AND PIPING DIAGRAM

GROUP ONE
21 W. THIRD STREET, BOSTON, MA 02127
TEL. (617)268-7000 FAX: (617)268-0209

DRAWING NO.

P0.2