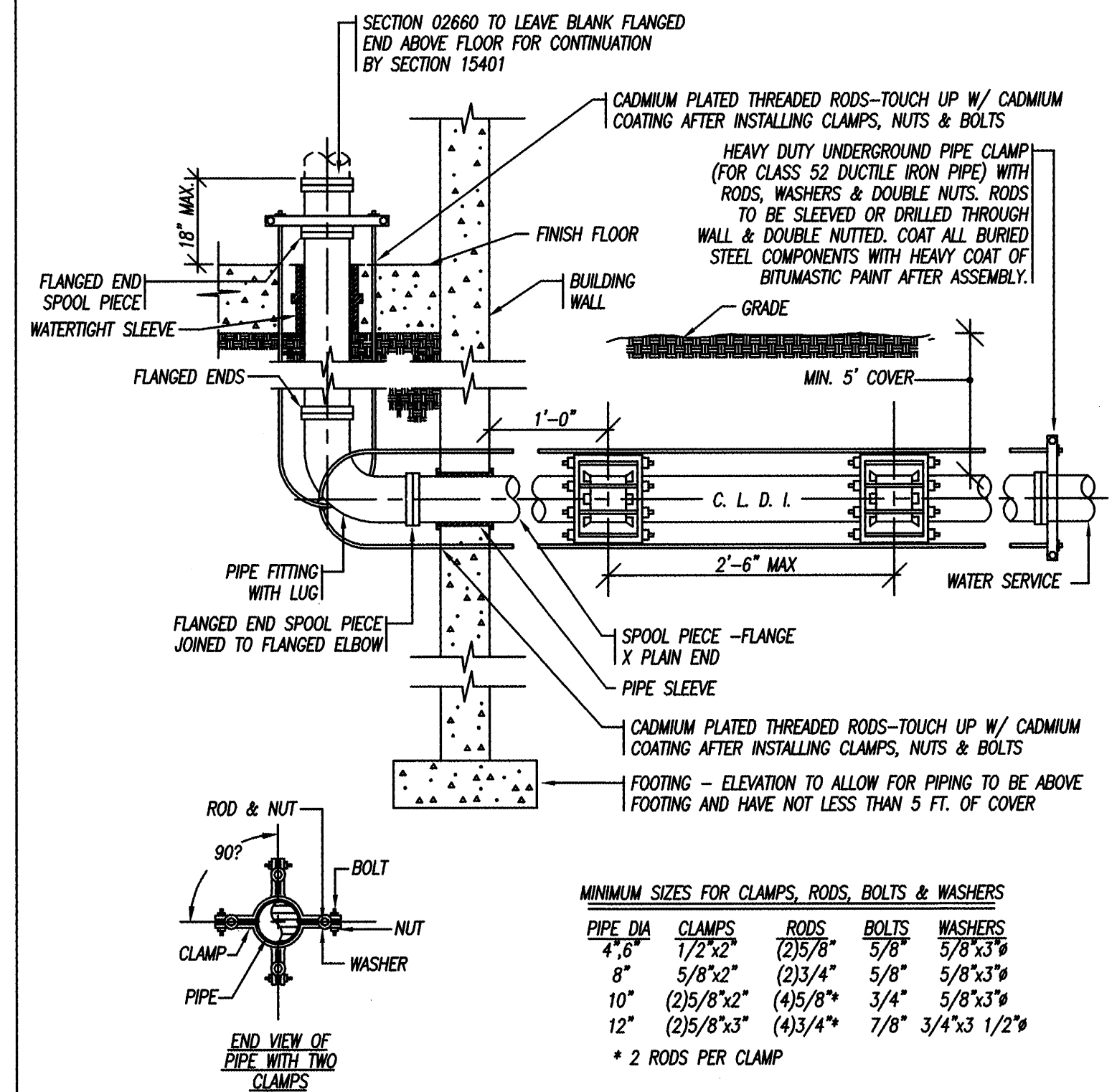


6 SPRINKLER TEST DRAIN DISCHARGE NOT TO SCALE

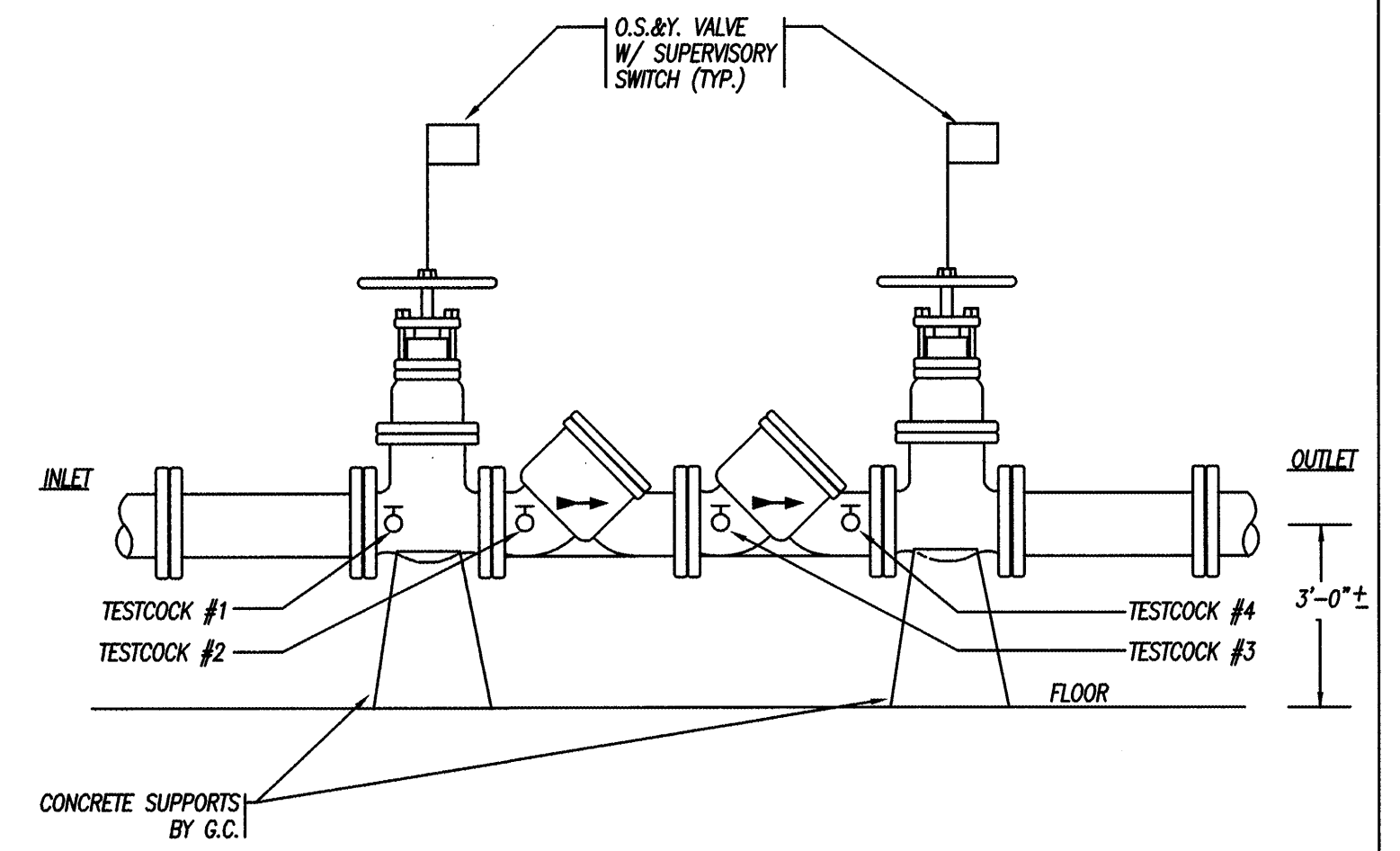


MINIMUM SIZES FOR CLAMPS, RODS, BOLTS & WASHERS

PIPE DIA	CLAMPS	RODS	BOLTS	WASHERS
4-6"	1/2"x2"	(2)5/8"	5/8"	5/8"x3/8"
8"	5/8"x2"	(2)3/4"	5/8"	5/8"x3/8"
10"	(2)5/8"x2"	(4)5/8"	3/4"	5/8"x3/8"
12"	(2)5/8"x3"	(4)3/4"	7/8"	3/4"x3/12"

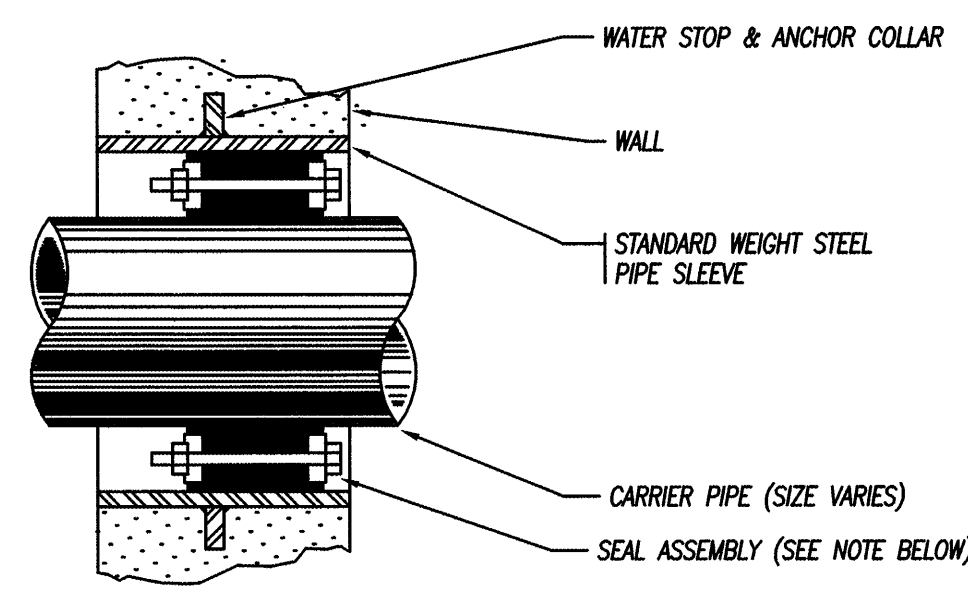
\* 2 RODS PER CLAMP

5 WATER SERVICE THROUGH FOUNDATION WALL & FLOOR NOT TO SCALE



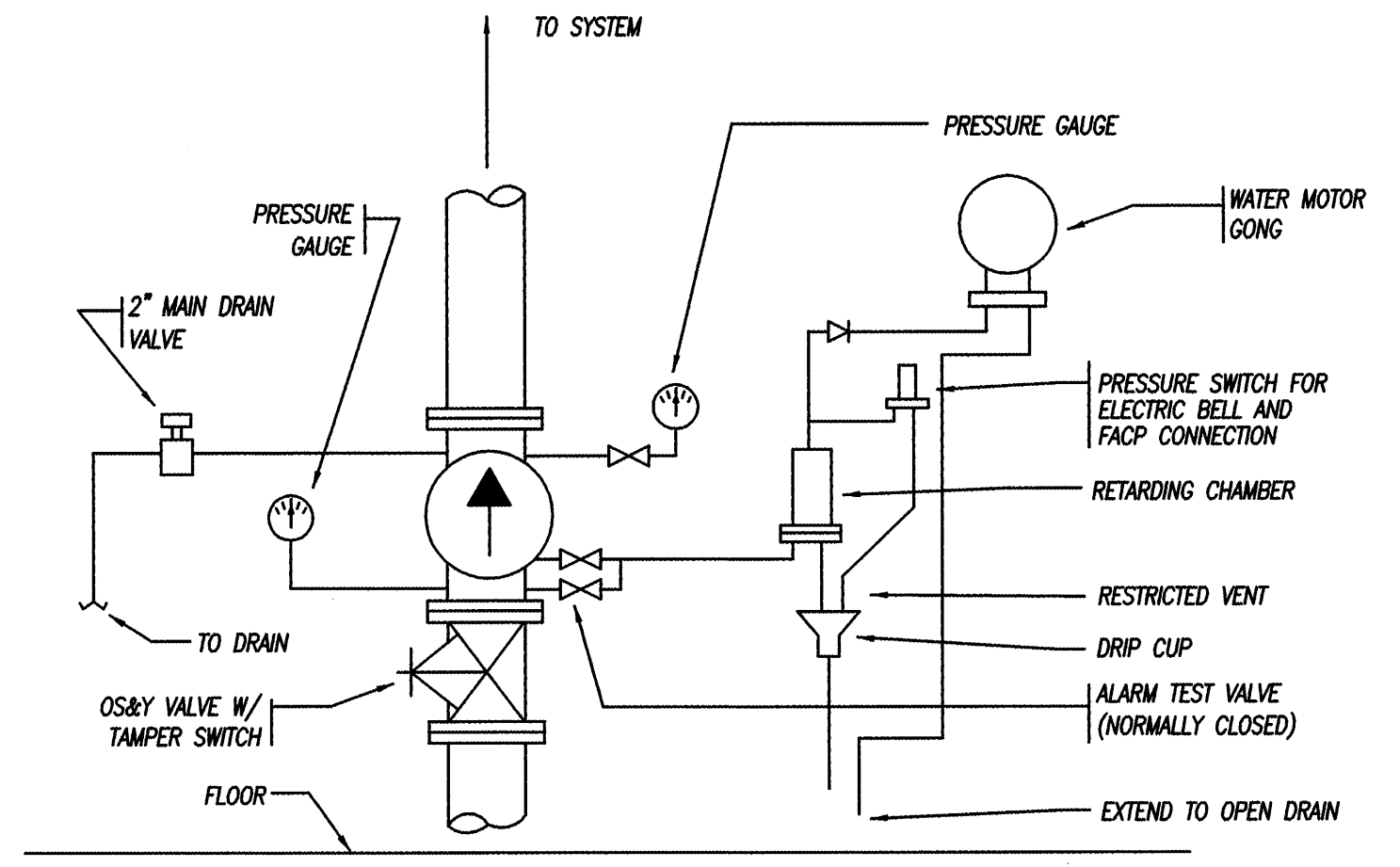
NOTES:  
1. PROVIDE SPARE PARTS KIT FOR EACH DIFFERENT SIZE UNIT INCLUDING GASKETS, SPRINGS AND MAIN ASSEMBLIES.  
2. MOUNT IN ACCORD WITH LOCAL REGULATIONS WITH CLEARANCE FROM WALLS AND OTHER OBSTRUCTIONS.

4 DOUBLE CHECK VALVE ASSEMBLY [DCVA] NOT TO SCALE



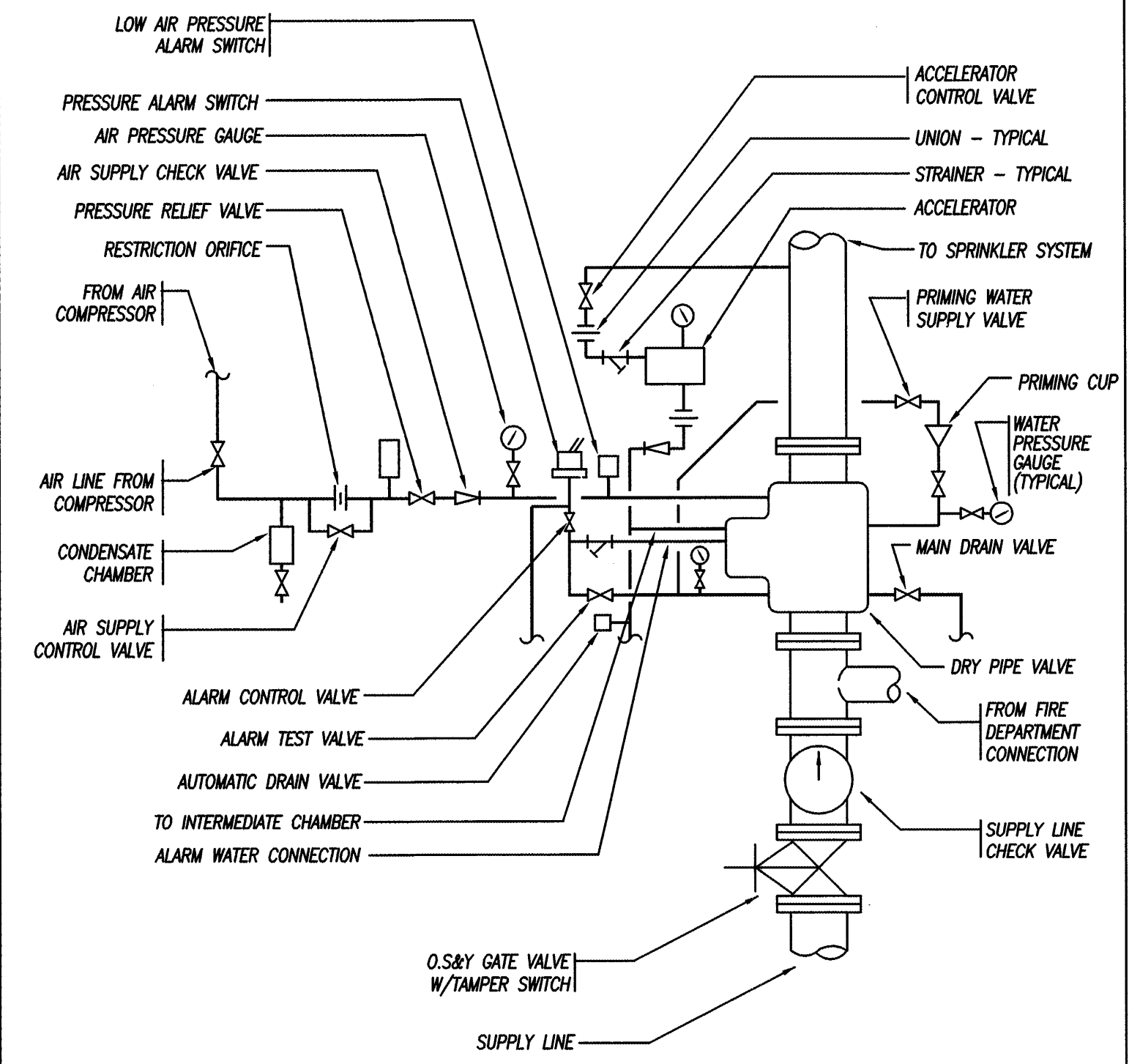
NOTES:  
SEAL ASSEMBLY SHALL BE MODULAR MECHANICAL TYPE CONSISTING OF INTERLOCKING RUBBER LINKS SHAPED TO CONTINUOUSLY FILL IN THE ANNULAR SPACE BETWEEN PIPE & WALL OPENING. PRESSURE PLATES SHALL BE DELRIN PLASTIC. BOLTS & NUTS SHALL BE 18-8 STAINLESS STEEL. SEALING ELEMENTS SHALL BE EPDM RUBBER.

3 WATER TIGHT SEAL DETAIL NOT TO SCALE



NOTE:  
VARIABLE PRESSURE TRIM TYPE

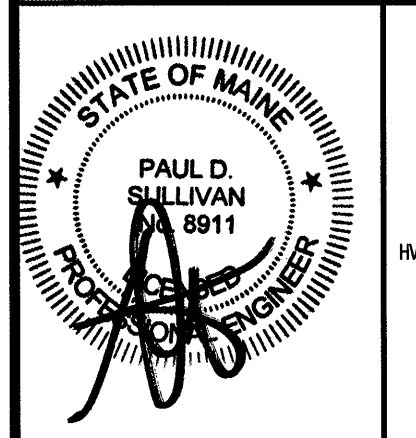
2 WET PIPE MAIN ALARM CHECK VALVE [MACV] NOT TO SCALE



1 DRY PIPE VALVE W/ ACCELERATOR [DACV] NOT TO SCALE

PERMIT ISSUE - 09/27/07

NO.	REVISION	DATE
SCALE: 3/32"=1' 0"		DRAWN BY: EMG
DATE: 09/27/07		CHECKED BY: RJM



**RWS**  
R. W. Sullivan Engineering  
HAC: Electrical, Plumbing, Fire Protection, Code  
The Seabrook Center  
529 Main Street, Suite 203  
Boston, Massachusetts 02129-1107  
Phone: (617) 522-8222  
Fax: (617) 522-8218  
www.rwsll.com  
RWS Job No. 2273.00

PROJECT  
**RESIDENCE INN BY MARRIOTT**  
PORTLAND, ME  
JOB# 802

TITLE  
**FIRE PROTECTION DETAILS**

GROUP ONE  
21 W. THIRD STREET, BOSTON, MA 02127  
TEL: (617)268-7000 FAX: (617)268-0209

DRAWING NO.  
**FP0.2**