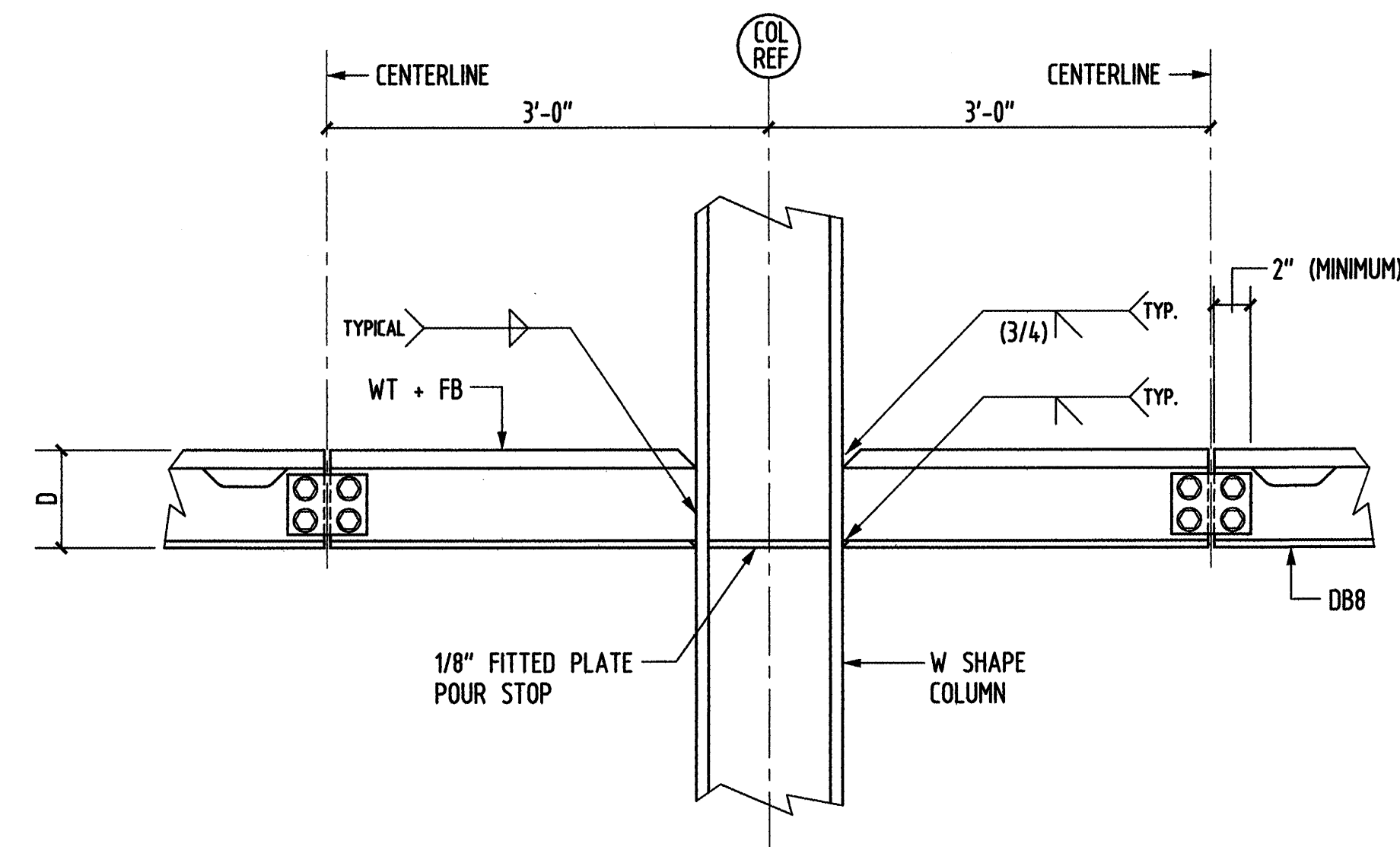


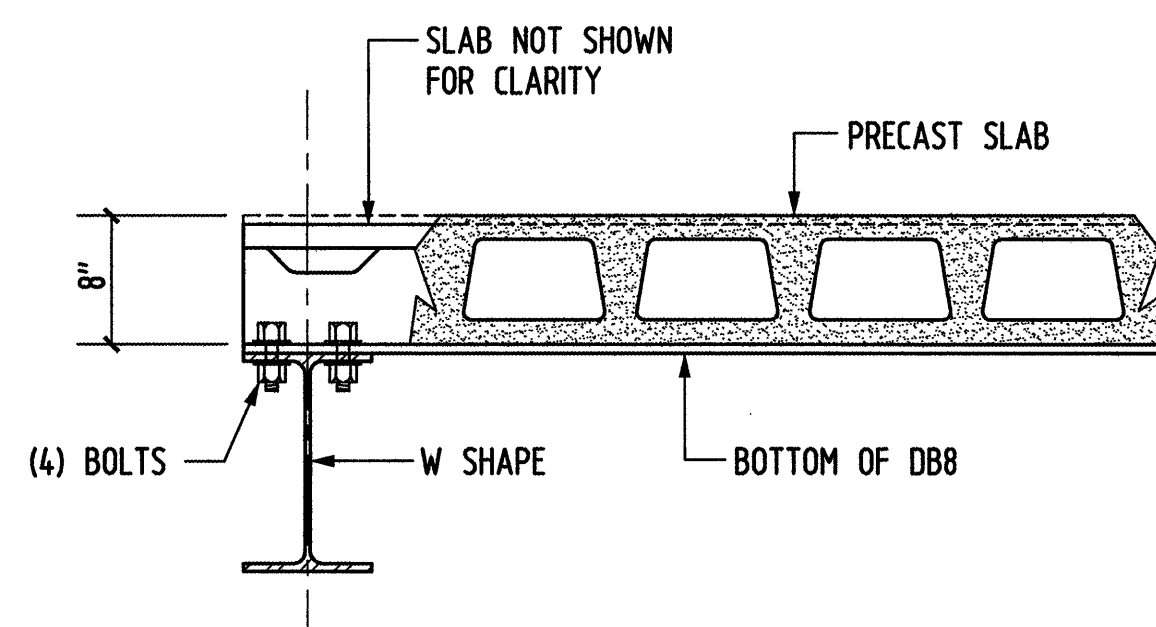
TYPICAL ELEVATION AT D-BEAM CONNECTION TO W SHAPE COLUMN



TYPICAL ELEVATION AT D-BEAM CONNECTION TO W SHAPE "TREE" COLUMN

DETAIL A
S2.2 & S2.3 SCALE: 1"=1'-0"

B PLANS
ALL PLANS SCALE: 1"=1'-0"

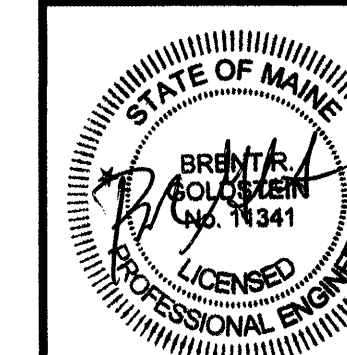


TYPICAL SECTION AT 8" GIRDER-SLAB SYSTEM BEARING ON W SHAPE BEAM

DETAIL C
S2.2 SCALE: 1"=1'-0"

PERMIT ISSUE - 09/27/07

NO.	REVISION	DATE
SCALE: AS NOTED	DRAWN BY: FTV	
DATE: 09/27/07	CHECKED BY: BRG	



PROJECT

RESIDENCE INN BY MARRIOTT

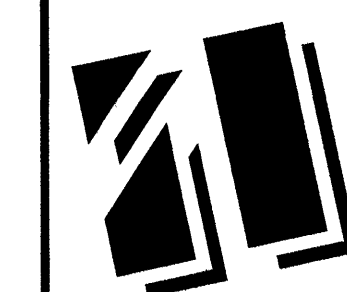
PORTLAND, ME.

JOB # 27089.00

TITLE

PRECAST PLANK DETAILS II

GROUP ONE
21 W. THIRD STREET, BOSTON, MA 02127
TEL. (617)268-7000 FAX: (617)268-0209



DRAWING NO.

S6.1