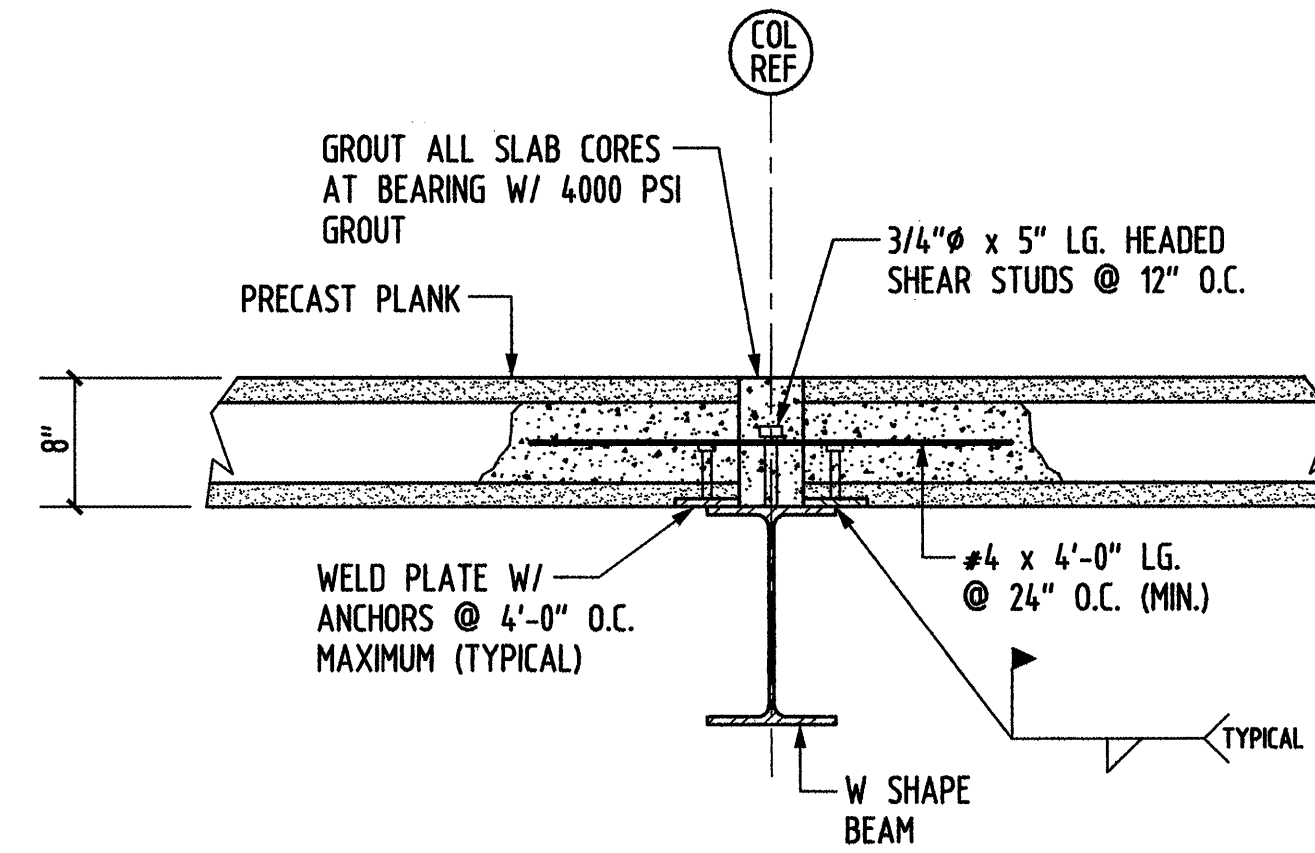


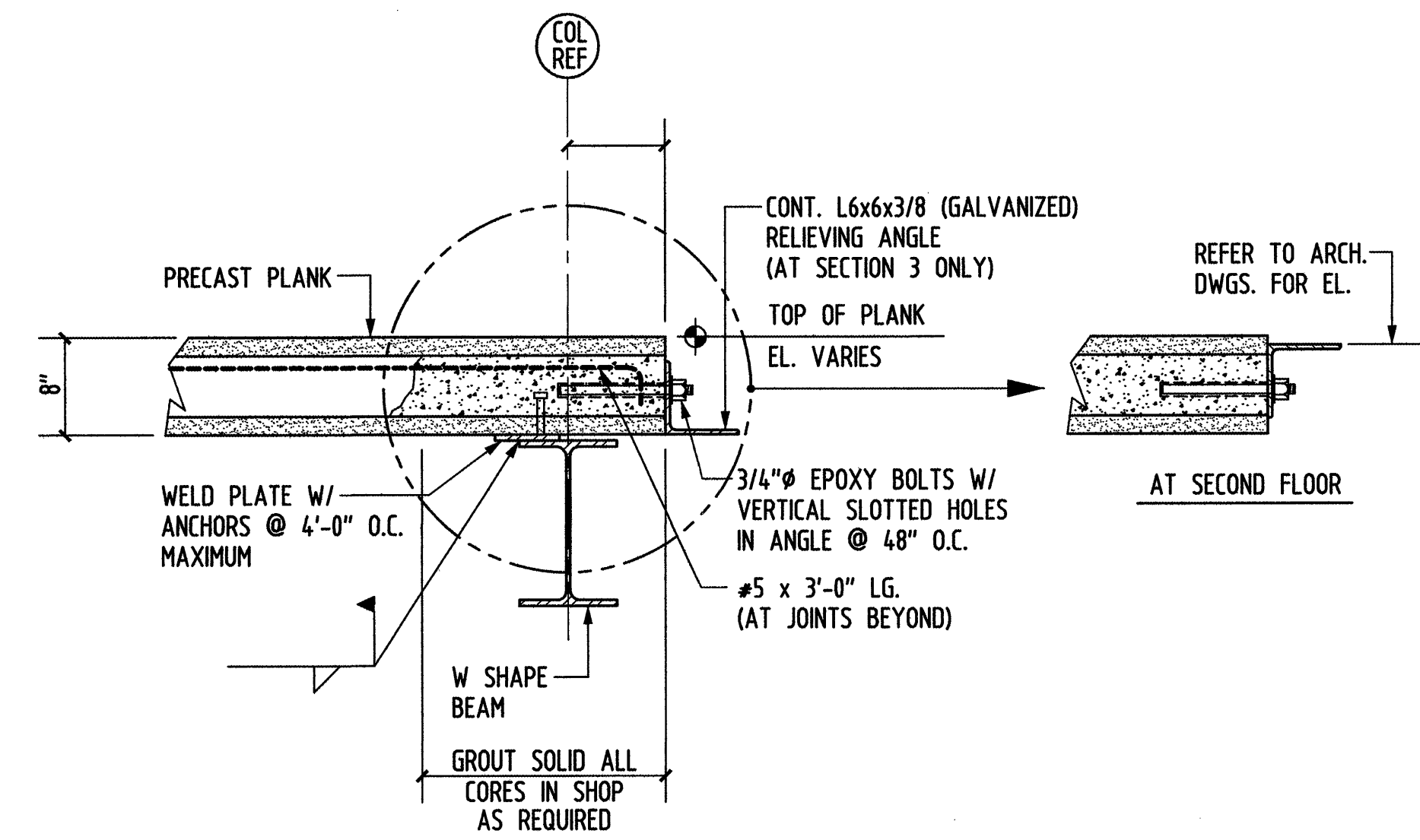
TYPICAL SECTION AT 8" GIRDER-SLAB SYSTEM

1 SECTION
 S2.2 SCALE: 1"=1'-0"



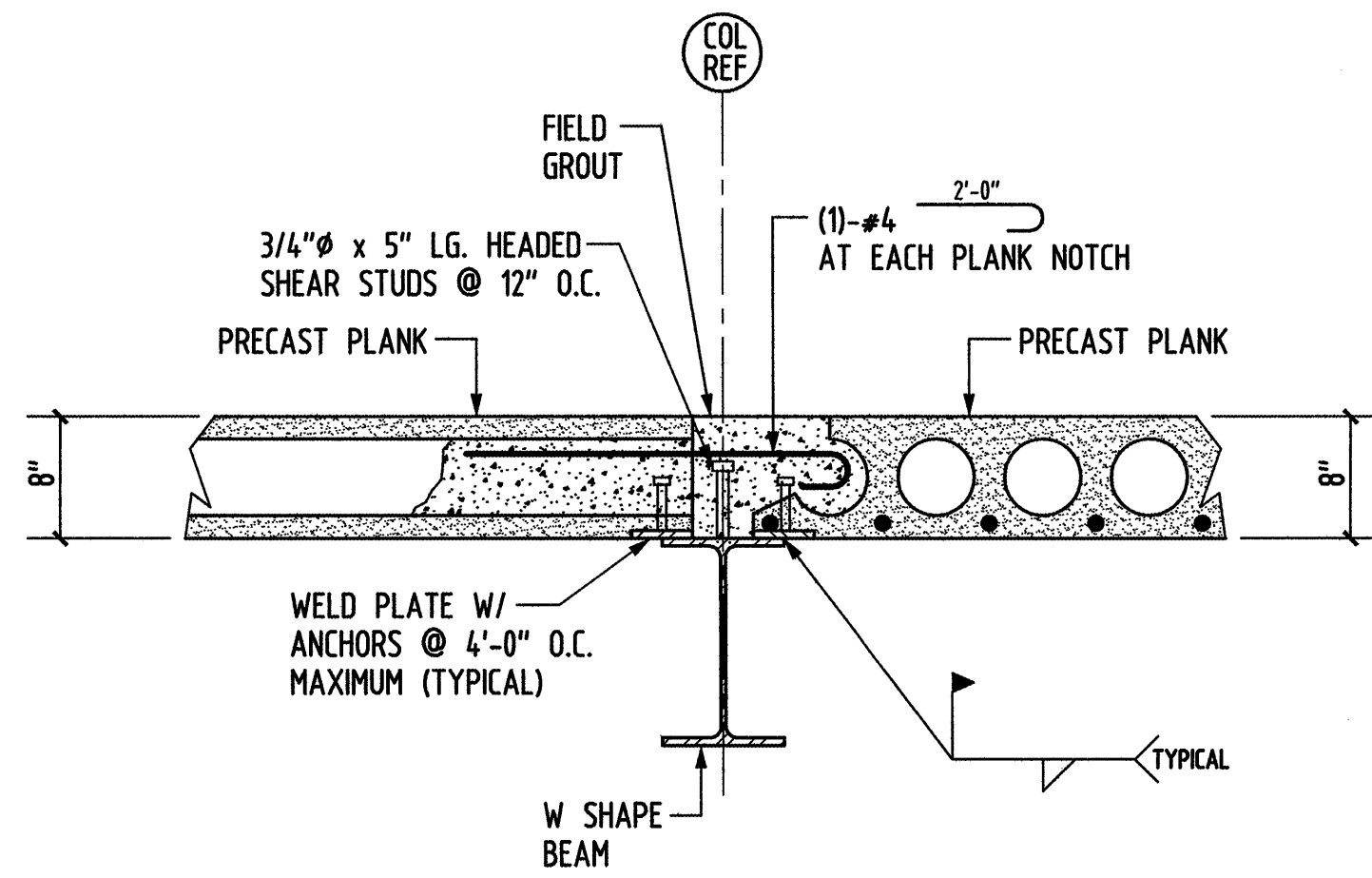
TYPICAL PRECAST PLANK CONNECTION AT BEAM

2 SECTION
 S2.2 SCALE: 1"=1'-0"



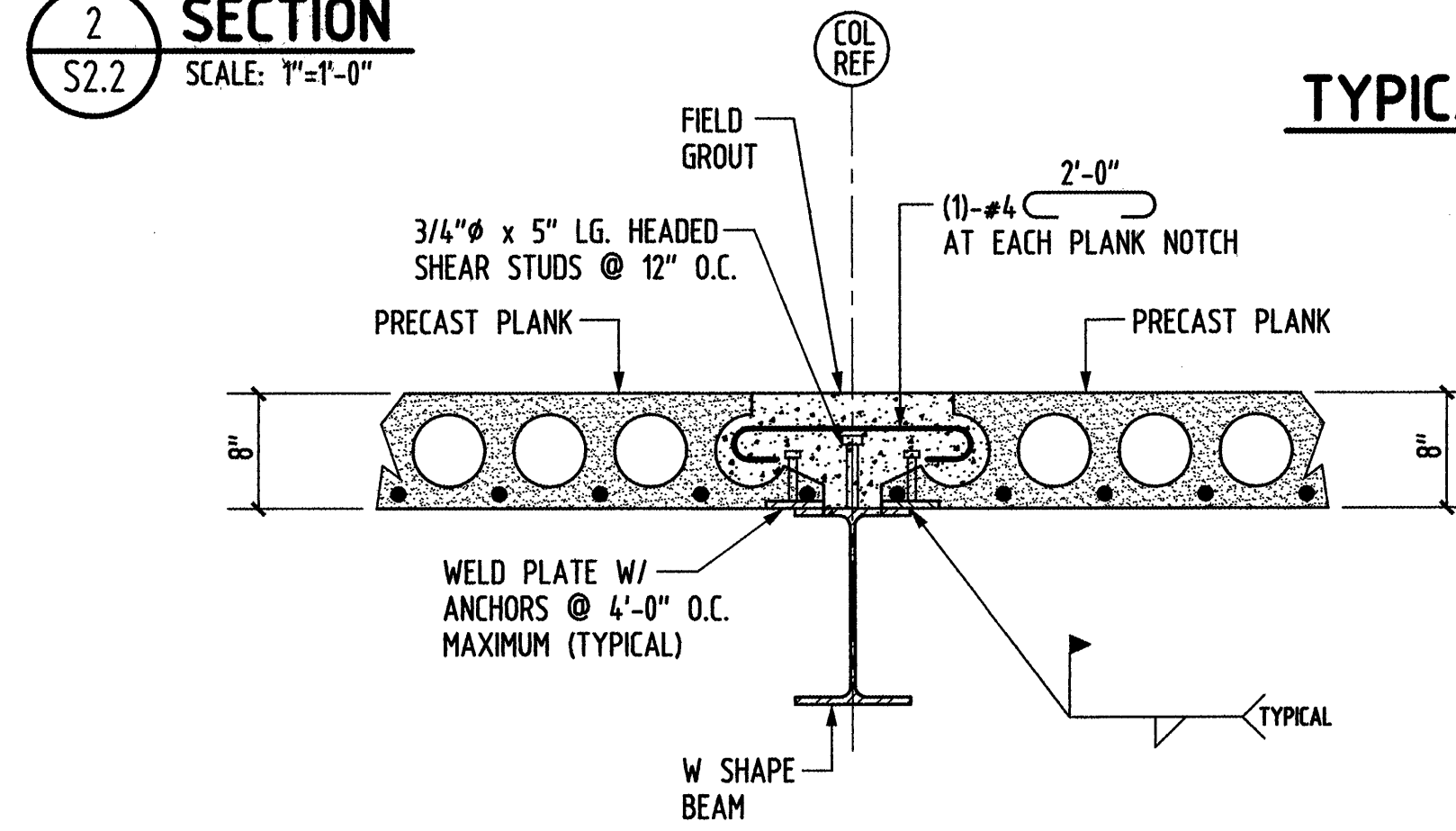
TYPICAL EDGE OF PRECAST PLANK PERPENDICULAR TO FACADE

3/3A SECTION
 S2.1 & S2.2 SCALE: 1"=1'-0"



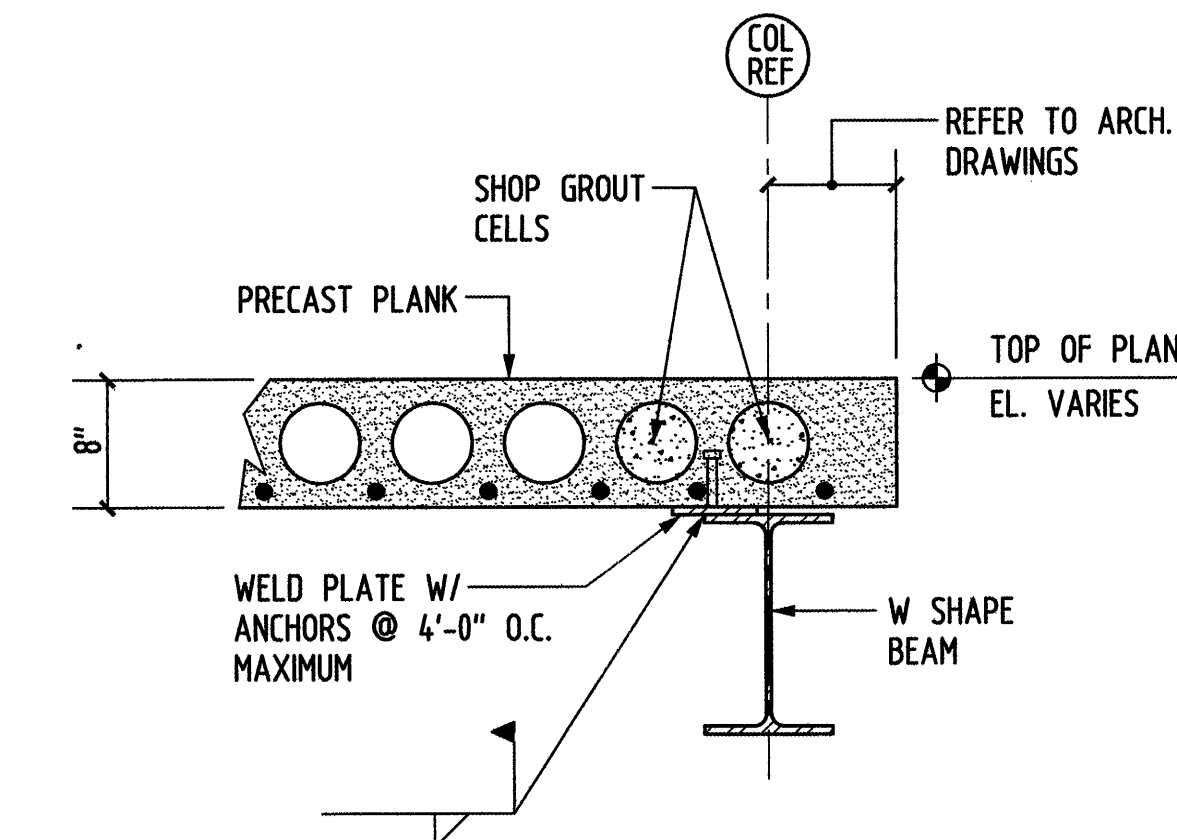
TYPICAL PRECAST PLANK AT CHANGE IN DIRECTION AT W BEAM

4 SECTION
 S2.2 SCALE: 1"=1'-0"



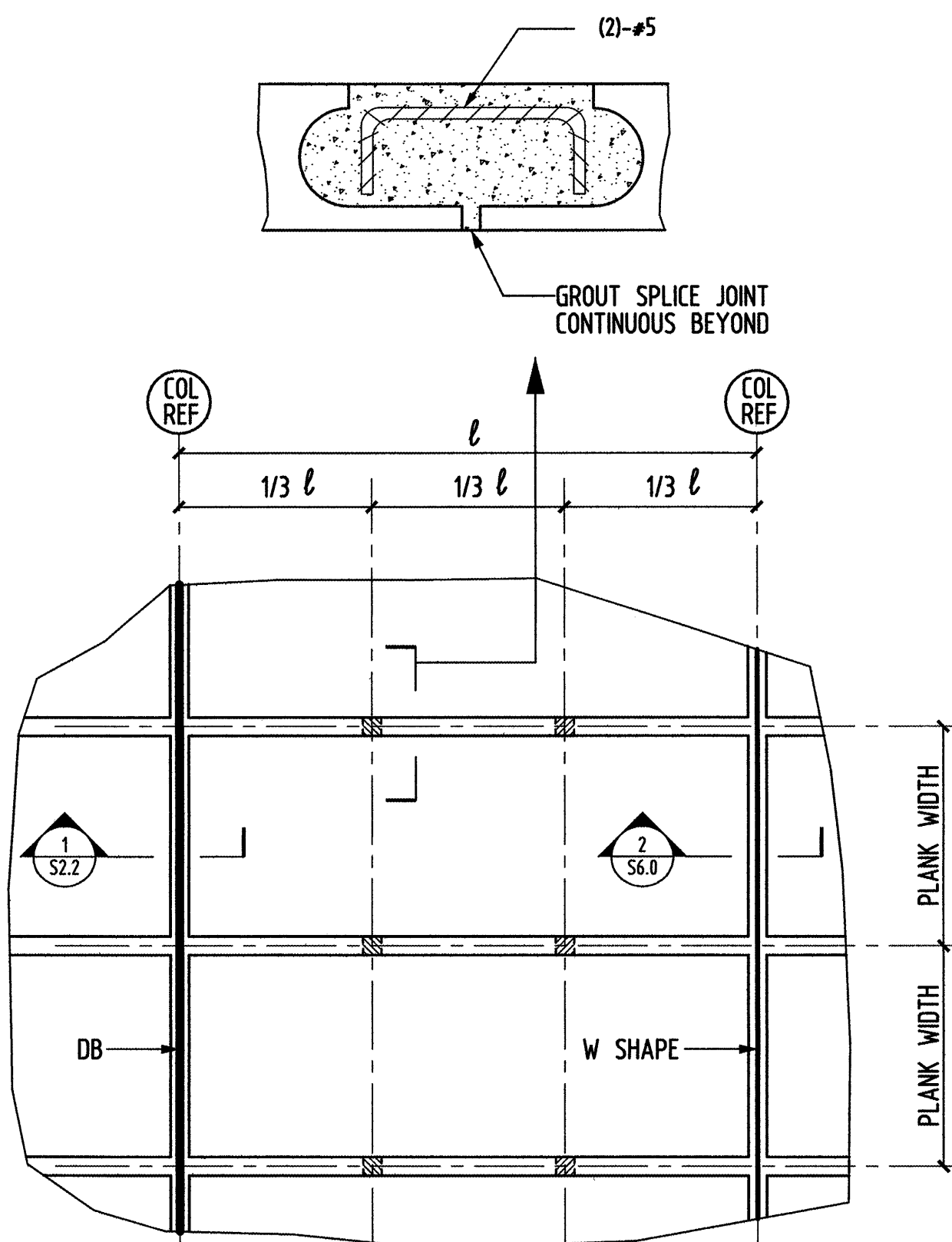
TYPICAL PRECAST PLANK PARALLEL TO SPAN OF W BEAM

4A SECTION
 S2.2 SCALE: 1"=1'-0"

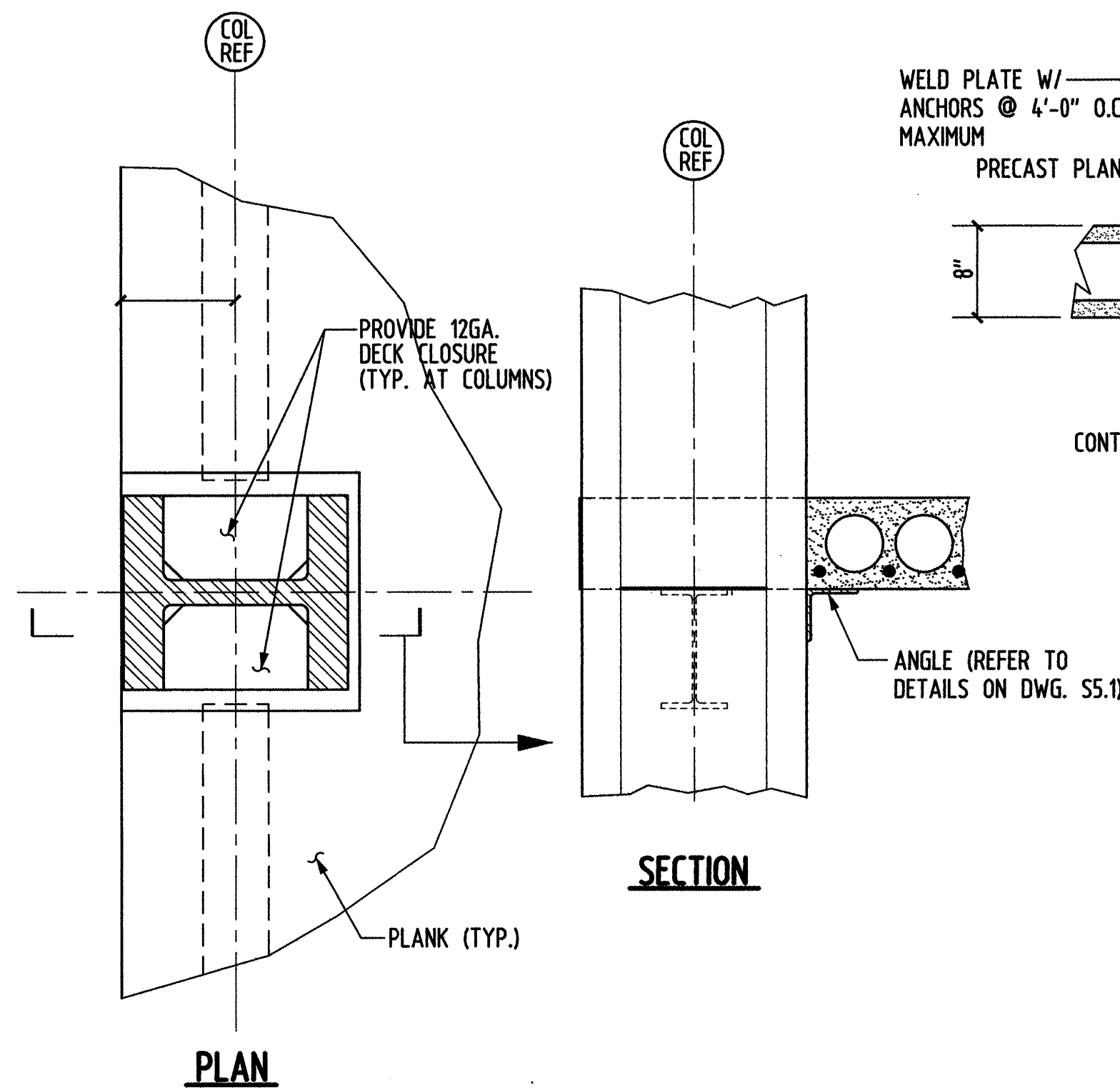


TYPICAL EDGE OF PRECAST PLANK PARALLEL TO FACADE WITHOUT RELIEVING ANGLE

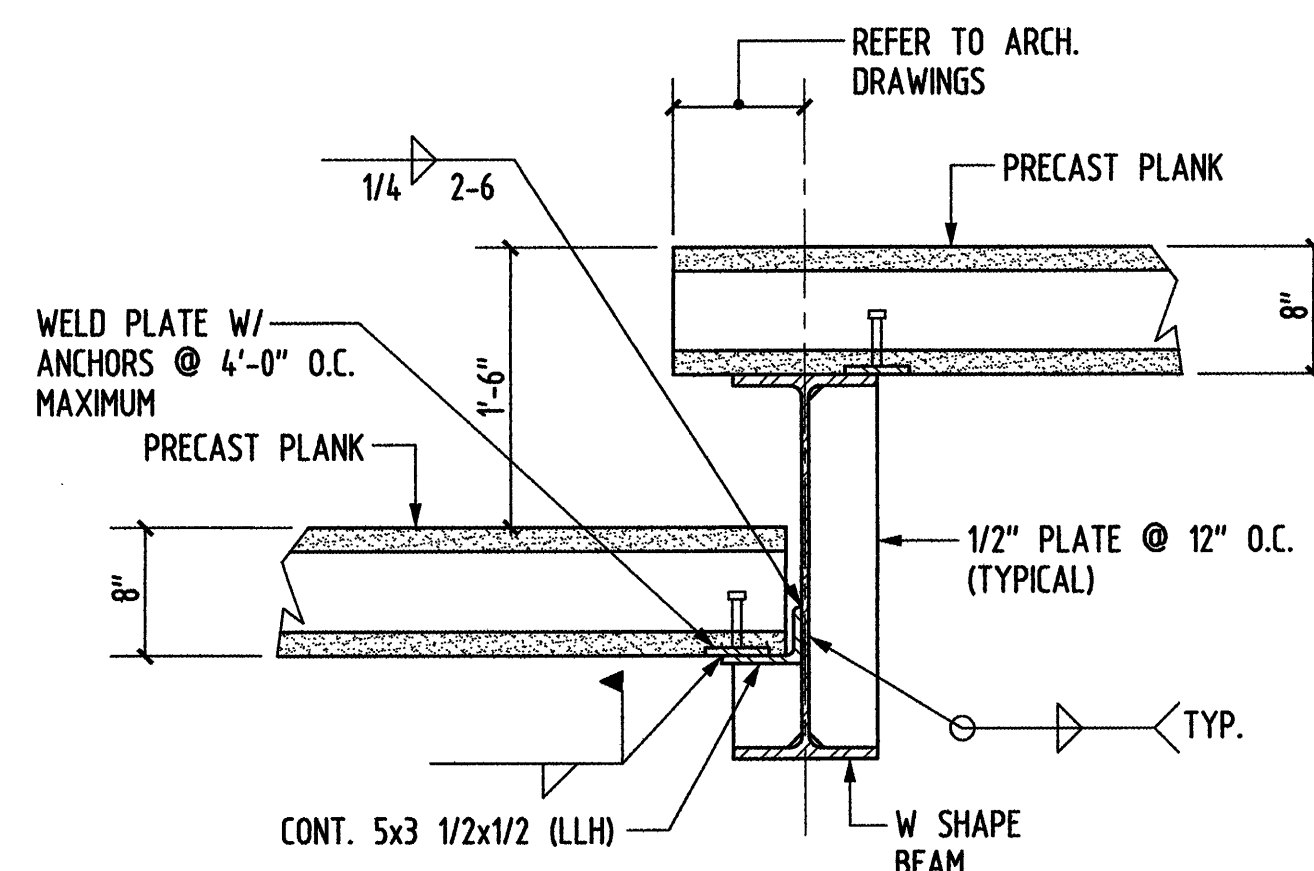
5 SECTION
 S2.2 SCALE: 1"=1'-0"



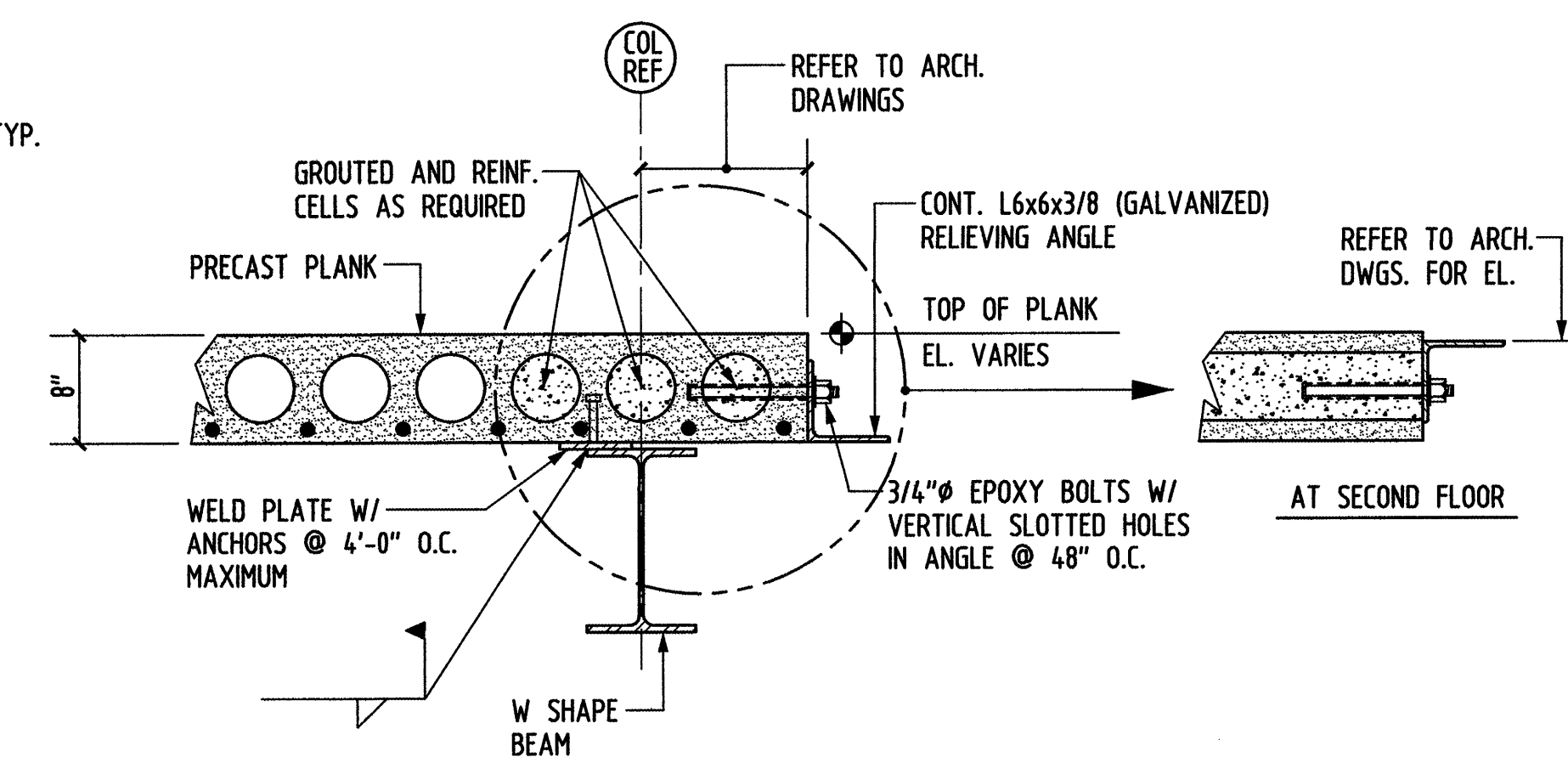
**TYPICAL ALL BAYS OF PLANK
 PLAN OF SHEAR BARS**



D DETAIL
 S2.2 NO SCALE



7 SECTION
 S2.1 SCALE: 1"=1'-0"

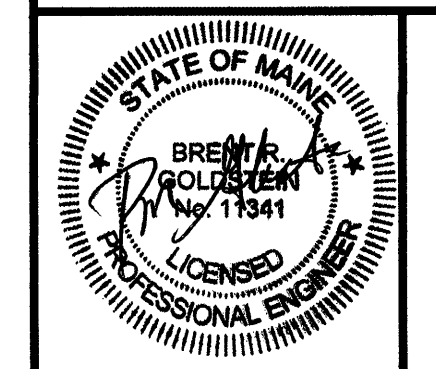


TYPICAL EDGE OF PRECAST PLANK PARALLEL TO FACADE WITH RELIEVING ANGLE

6 SECTION
 S2.1 & S2.2 SCALE: 1"=1'-0"

PERMIT ISSUE - 09/27/07

NO.	REVISION	DATE
SCALE: AS NOTED	DRAWN BY: FTV	
DATE: 09/27/07	CHECKED BY: BRG	



PROJECT
RESIDENCE INN BY MARRIOTT
 PORTLAND, ME.
 JOB # 27089.00

TITLE
PRECAST PLANK DETAILS I

GROUP ONE
 21 W. THIRD STREET, BOSTON, MA 02127
 TEL. (617)268-7000 FAX: (617)268-0209

DRAWING NO.
S6.0