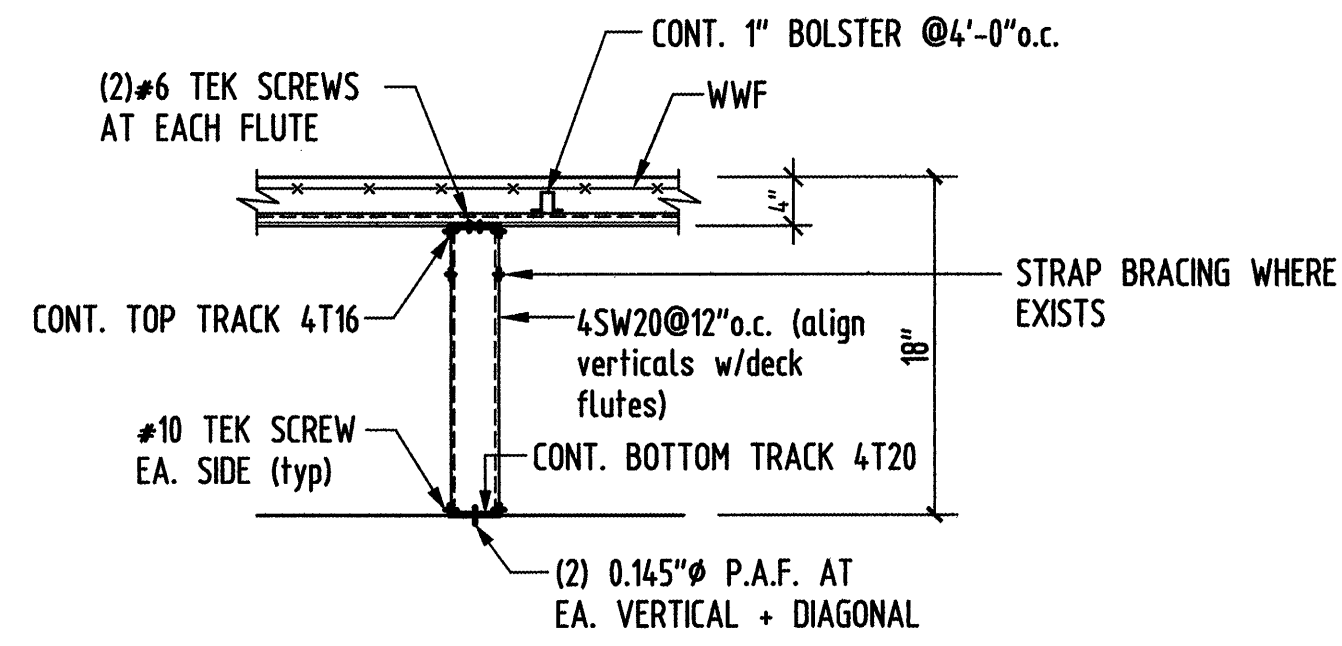
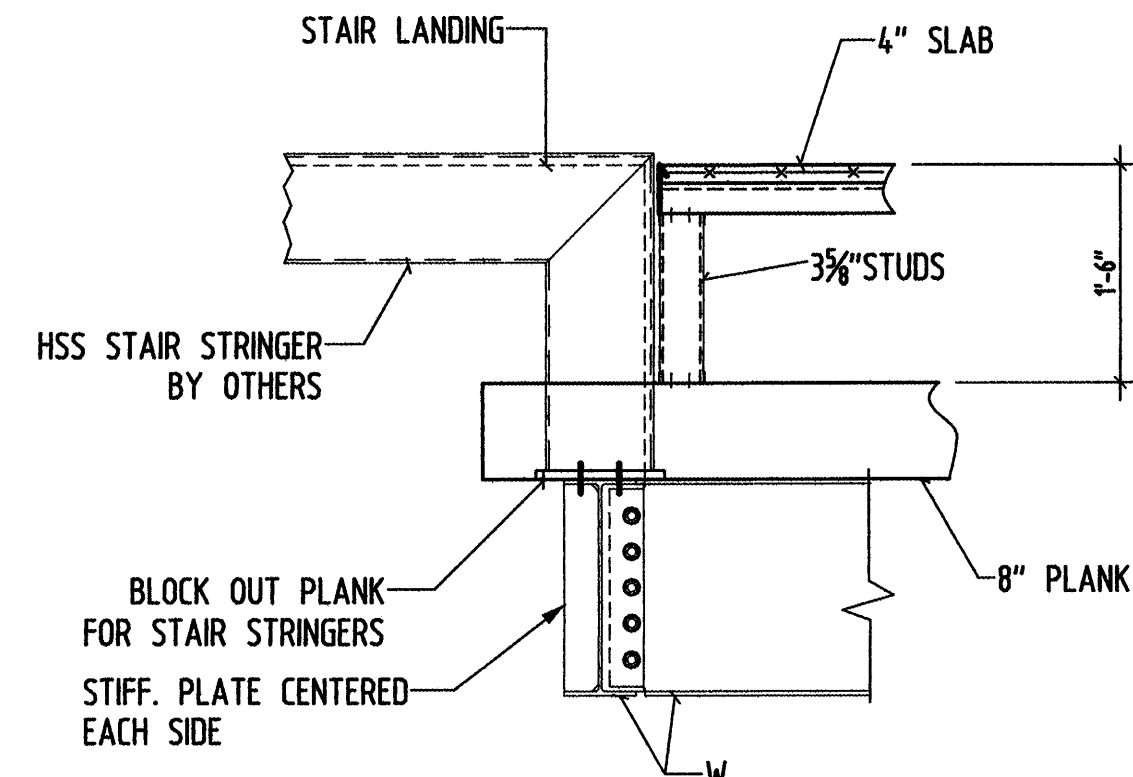


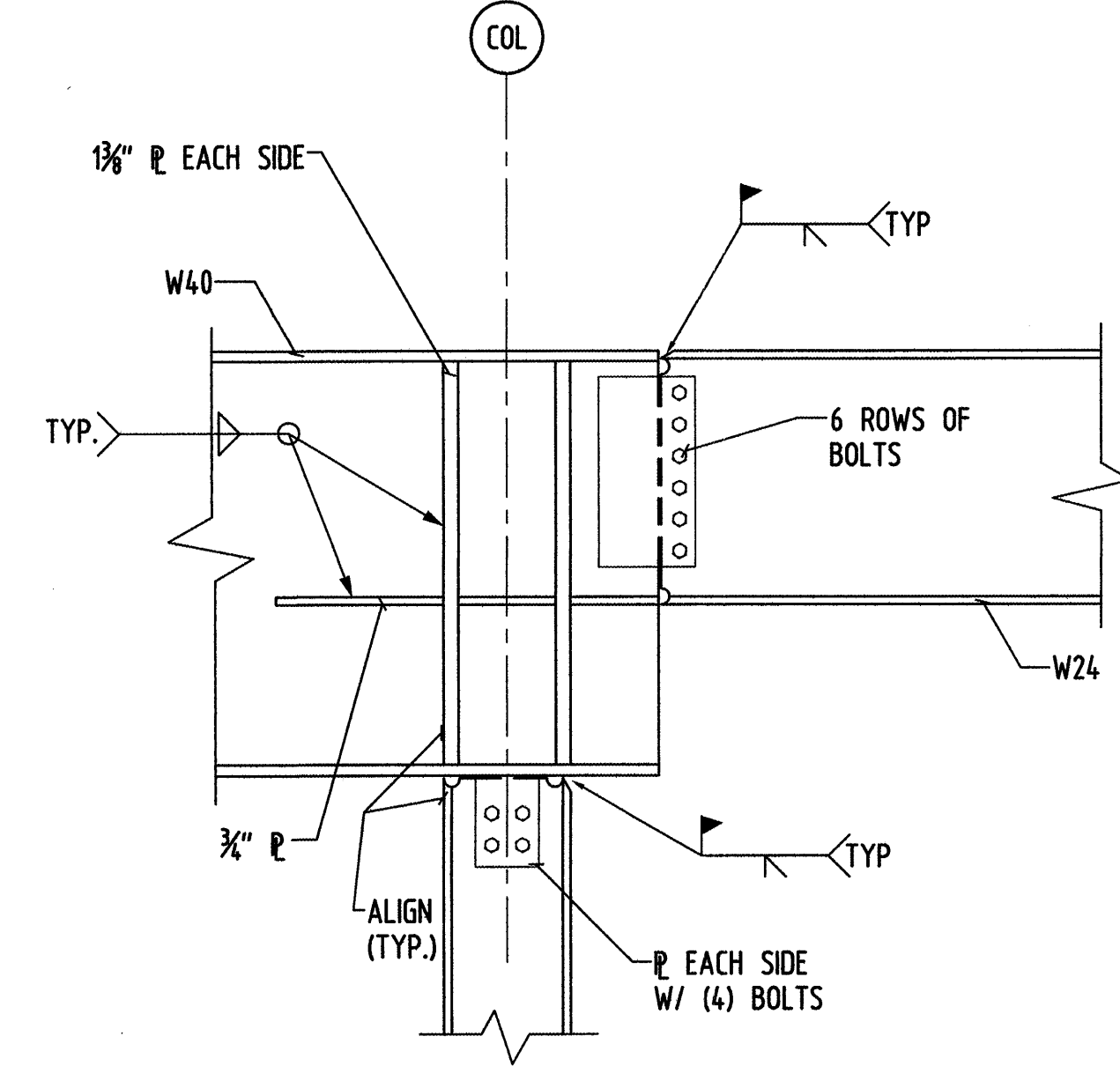
2 SECTION
S2.1 SCALE: 3/4"=1'-0"



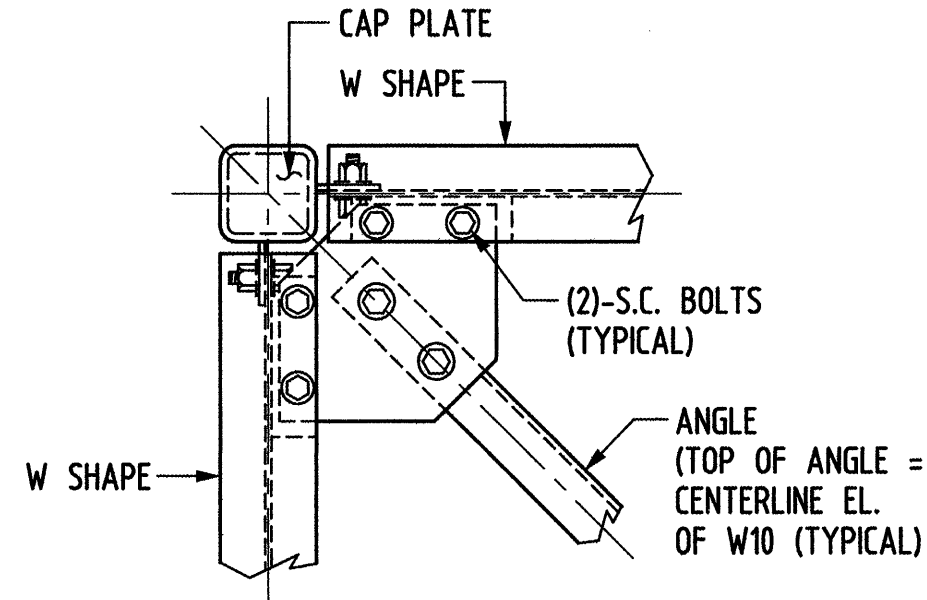
3 SECTION
S2.1 SCALE: 3/4"=1'-0"



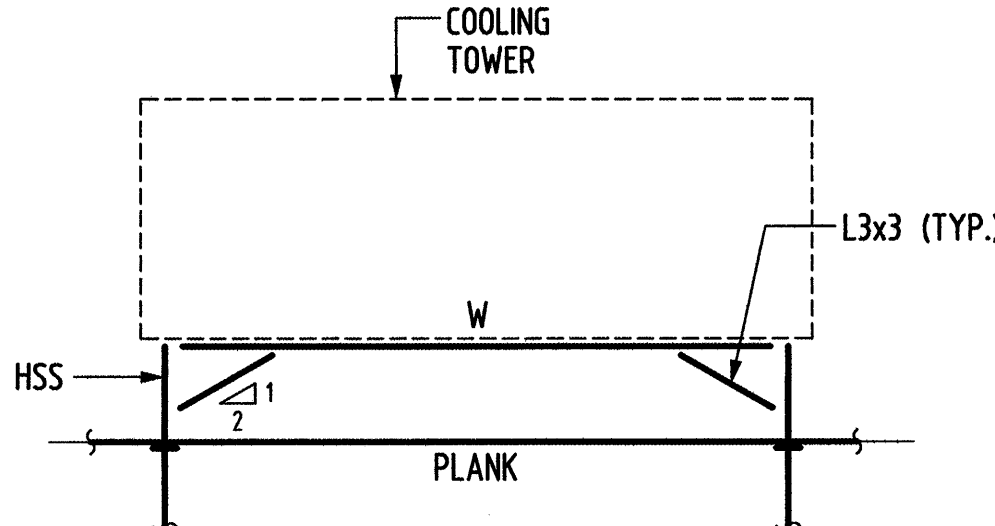
1 SECTION
S2.1 SCALE: 3/4"=1'-0"



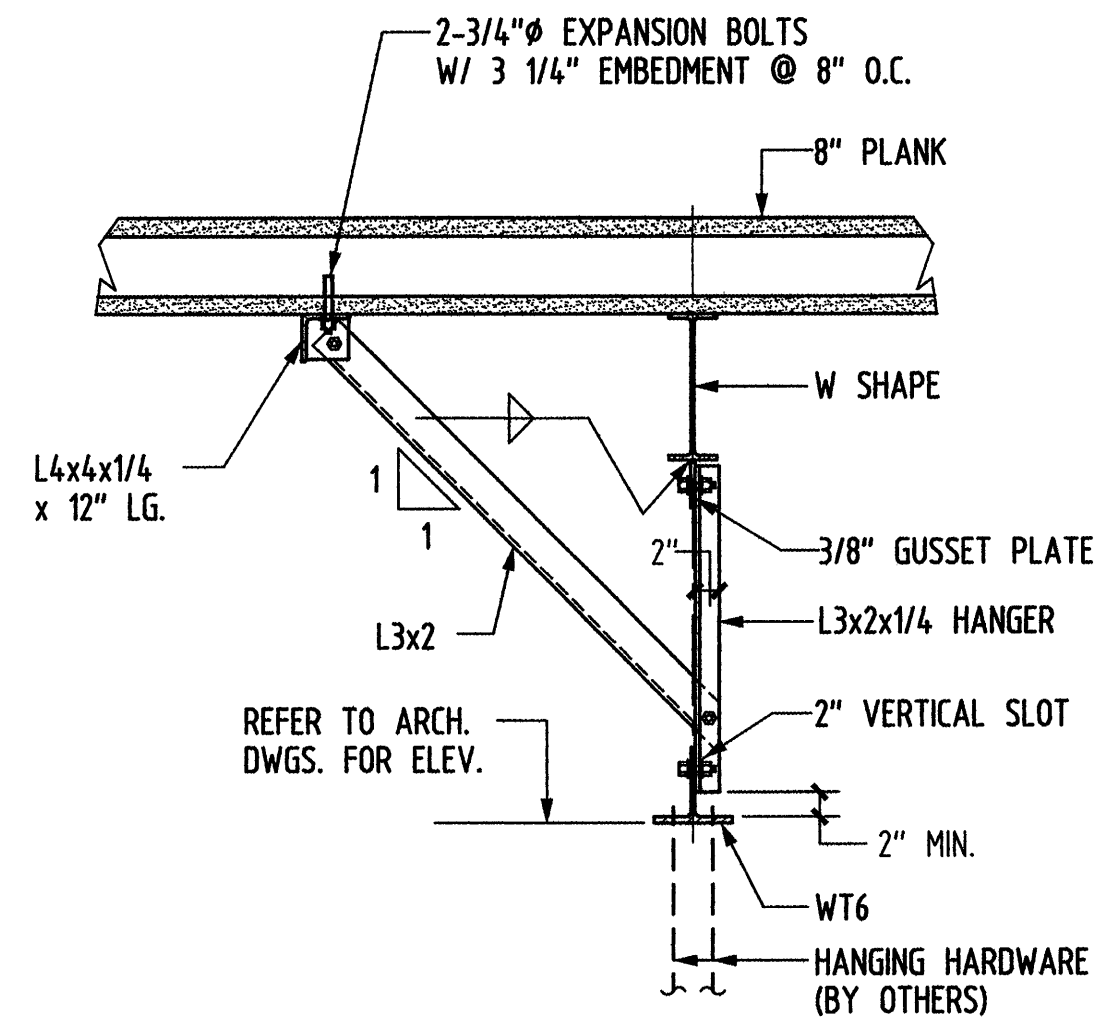
A DETAIL
S3.2 SCALE: 3/4"=1'-0"



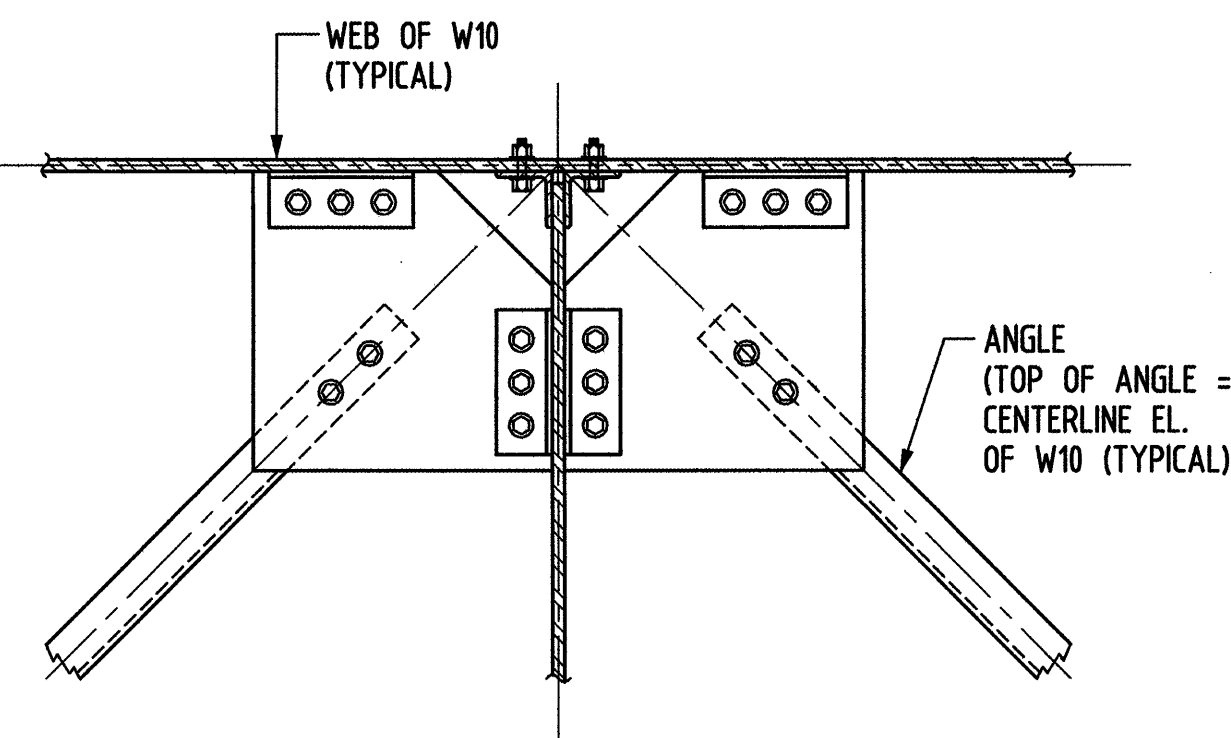
B DETAIL
S2.3 SCALE: 1"=1'-0"



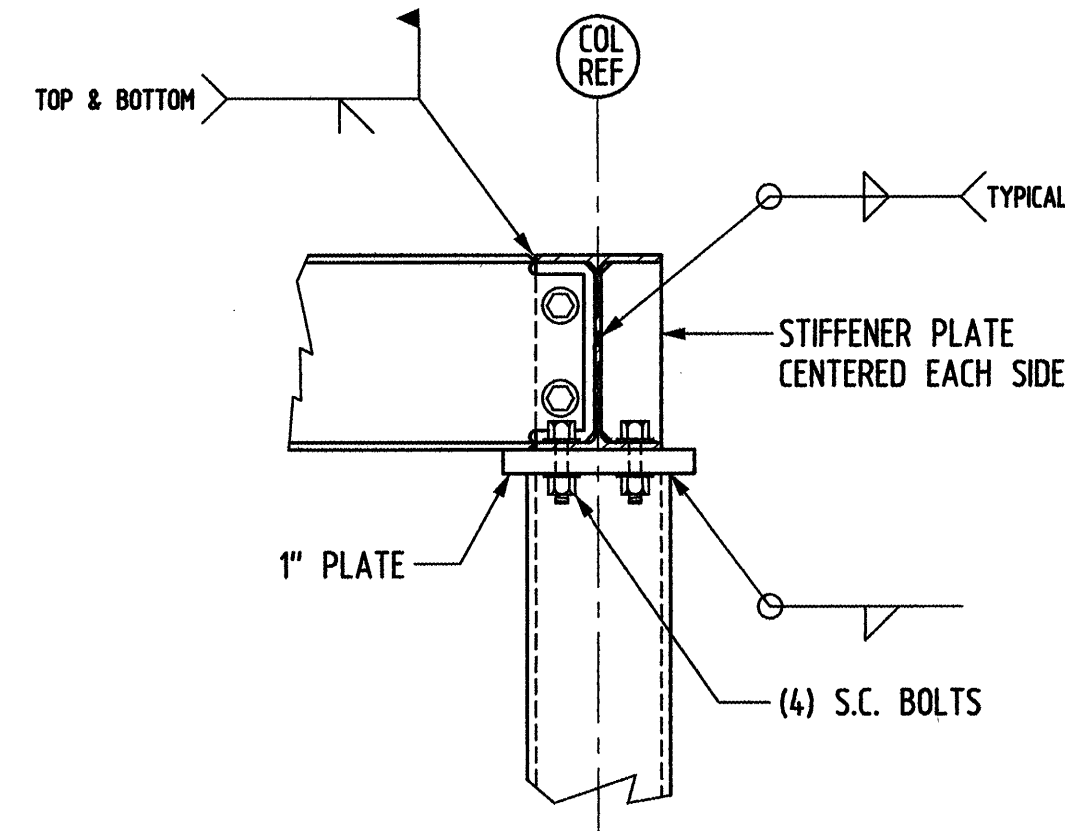
4 SECTION
S2.3 NO SCALE



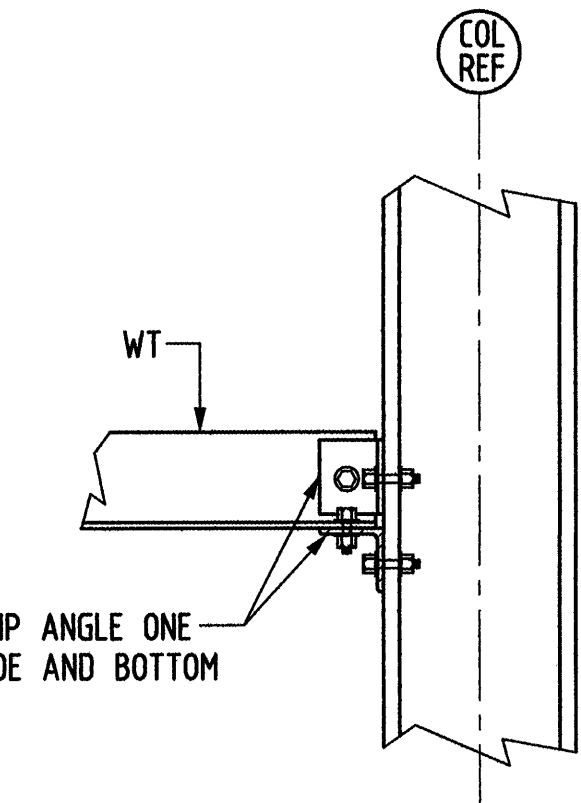
5 SECTION
S2.1 SCALE: 3/4"=1'-0"
(TYPICAL SECTION AT HANGING PARTITION)



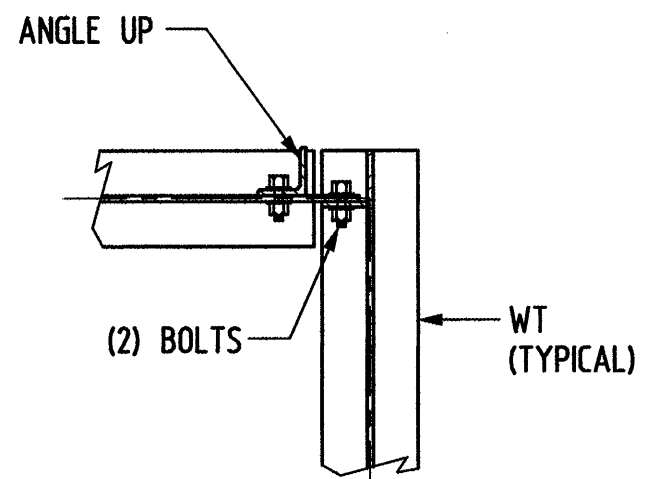
C DETAIL
S2.3 SCALE: 1"=1'-0"



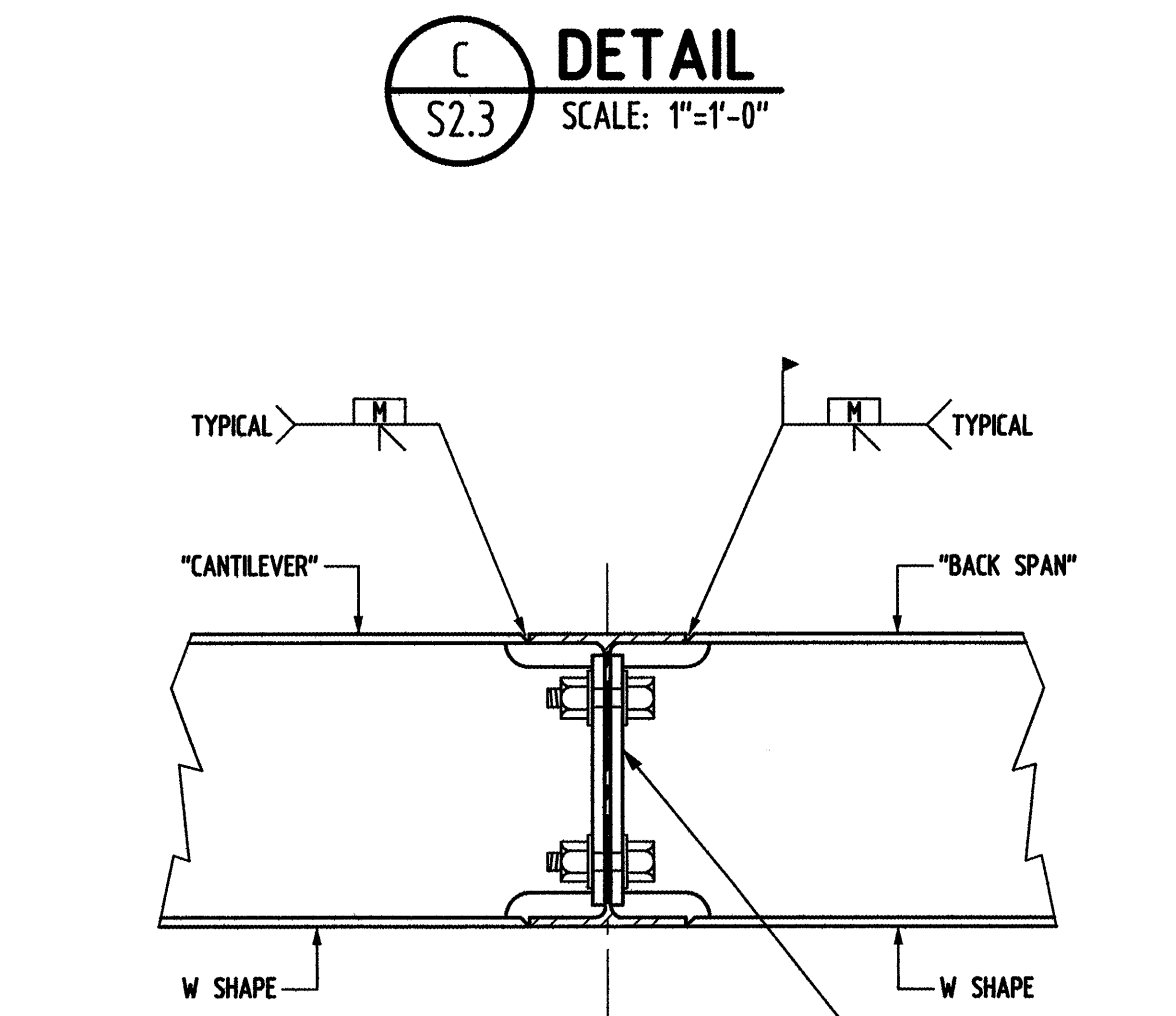
7 SECTION
S2.2 SCALE: 1 1/2"=1'-0"



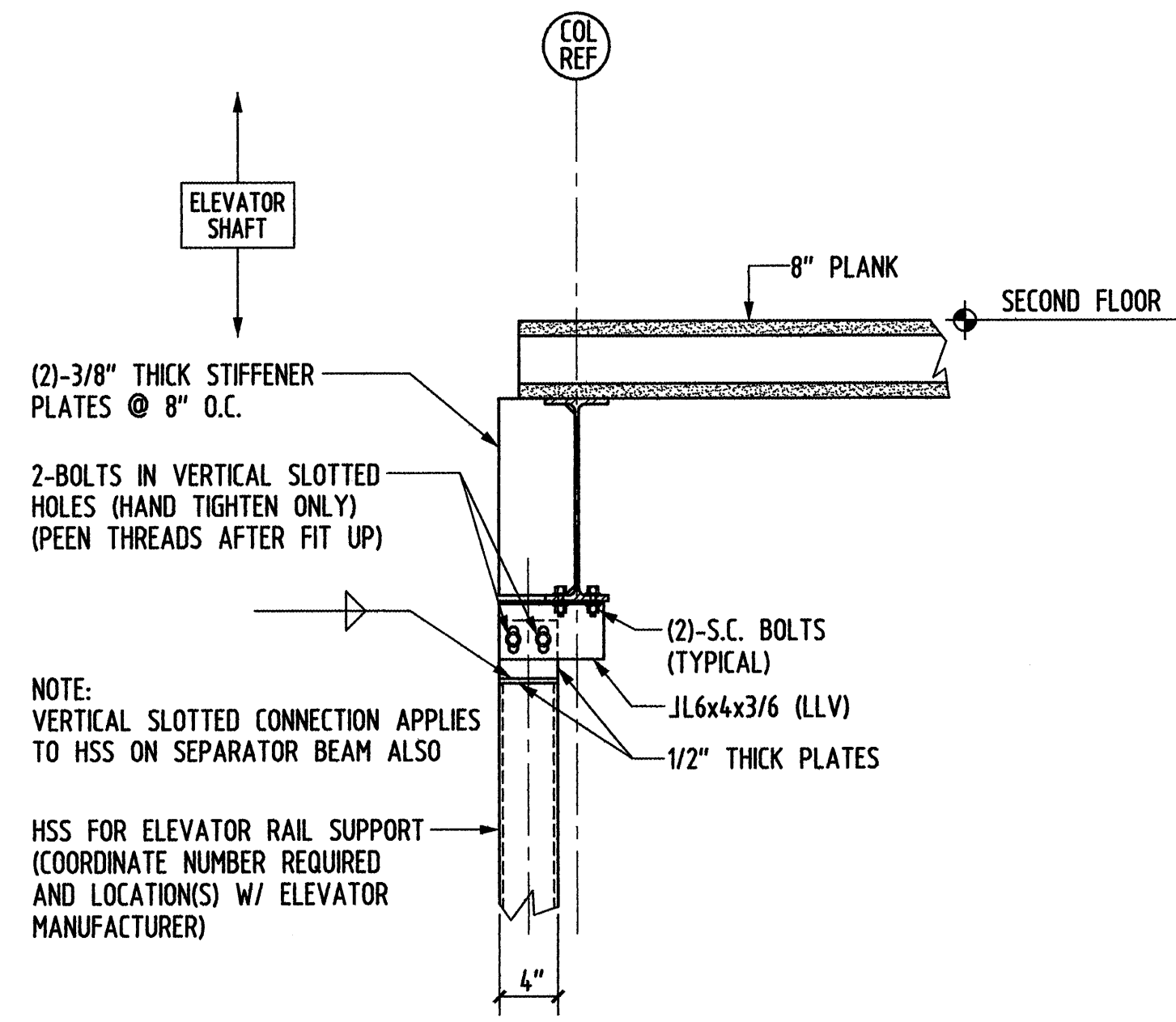
D DETAIL
S2.1 SCALE: 1"=1'-0"



E DETAIL
S2.1 SCALE: 1"=1'-0"



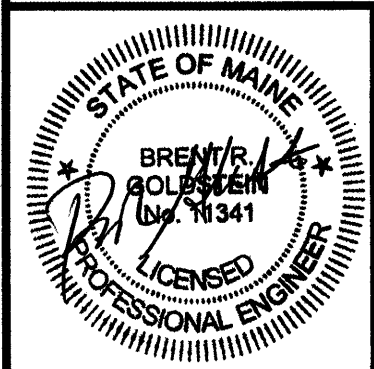
6 SECTION
S2.2 SCALE: 1 1/2"=1'-0"



8 SECTION
S2.1 SCALE: 3/4"=1'-0"

PERMIT ISSUE - 09/27/07

NO.	REVISION	DATE
SCALE: AS NOTED	DRAWN BY: FTV	
DATE: 09/27/07	CHECKED BY: BRG	



PROJECT
RESIDENCE INN BY MARRIOTT
PORTLAND, ME.
JOB # 27089.00

TITLE
STEEL DETAILS V

GROUP ONE
21 W. THIRD STREET, BOSTON, MA 02127
TEL: (617)268-7000 FAX: (617)268-0209

DRAWING NO.
S5.4