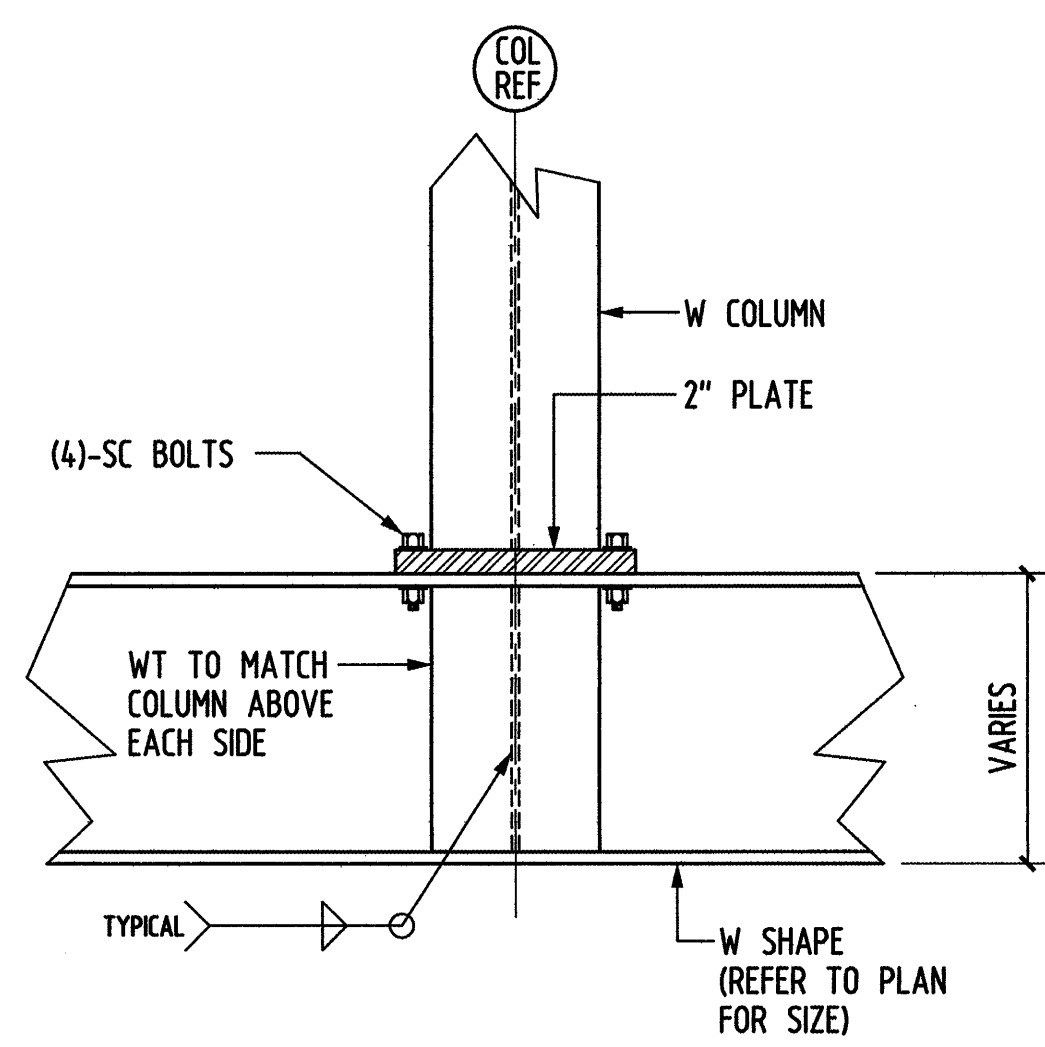
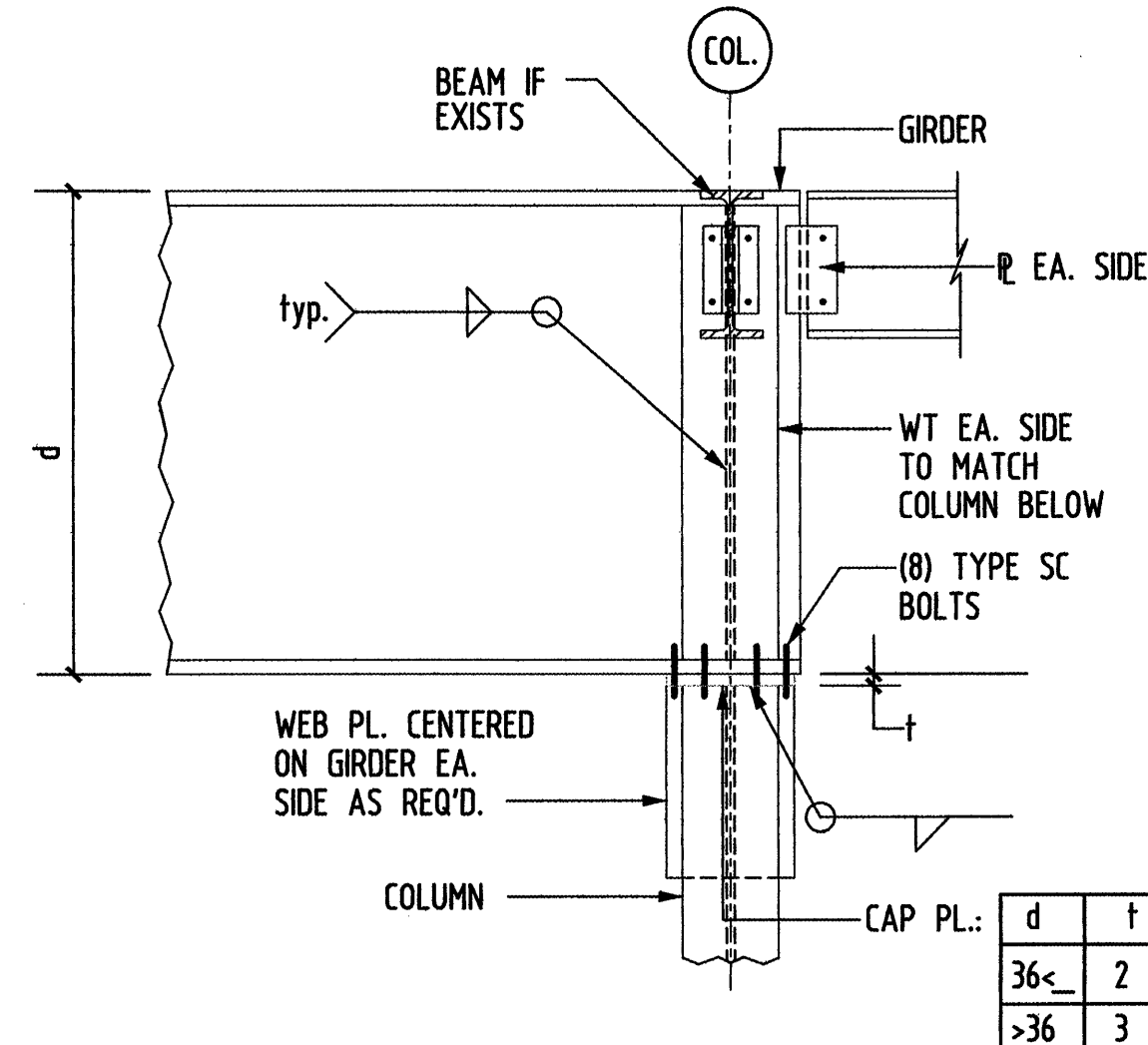


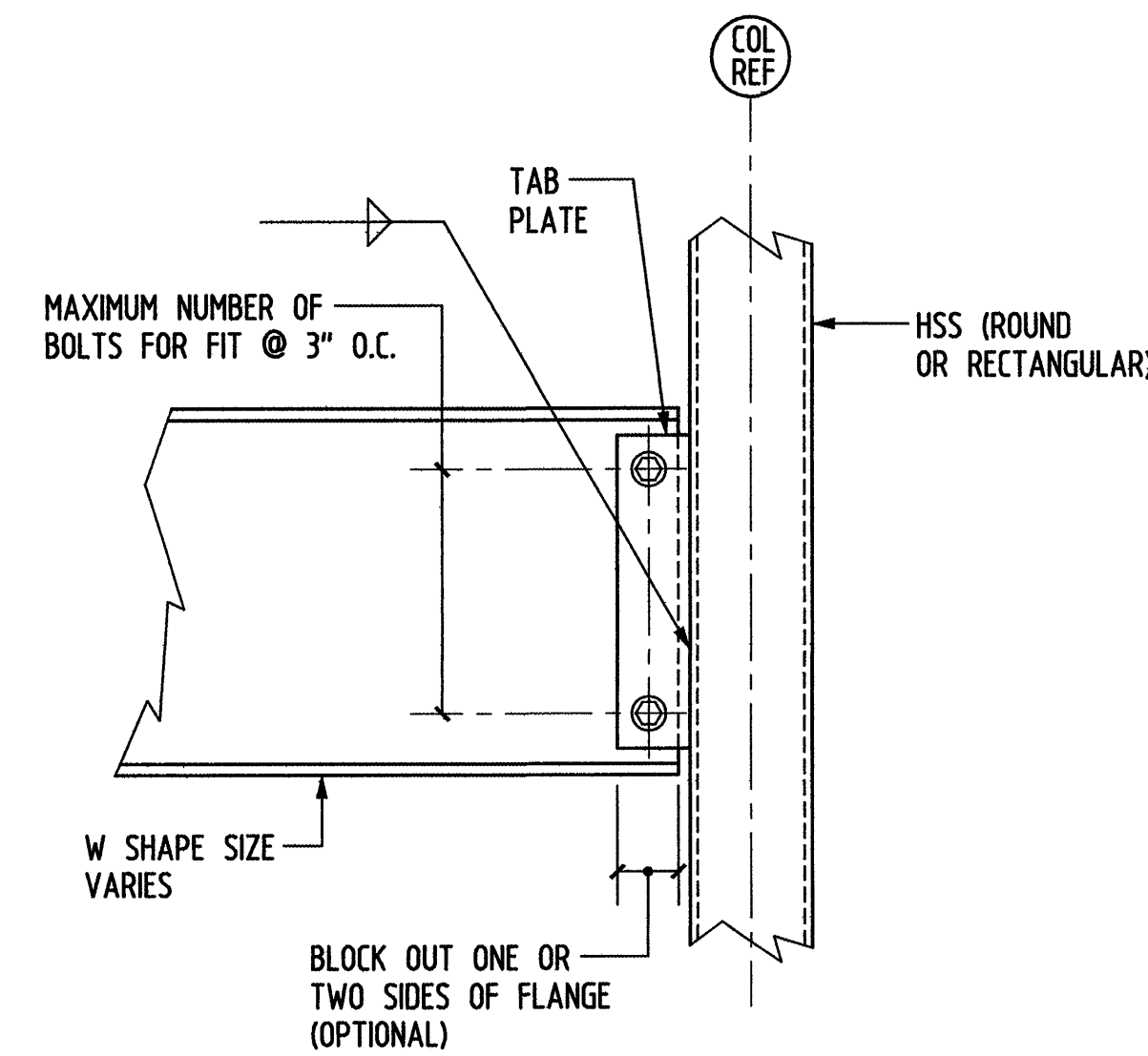
COLUMN SQUARE TO BEAM - U.N.O.



AT ROTATED COLUMN - U.N.O.

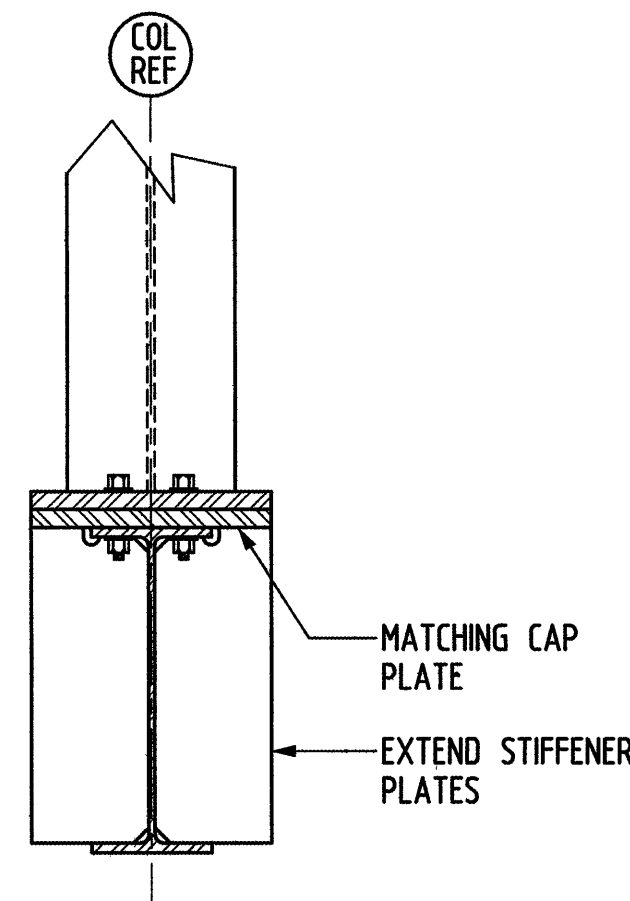


**TYPICAL DETAIL @ GIRDER
TOP OF COLUMN**

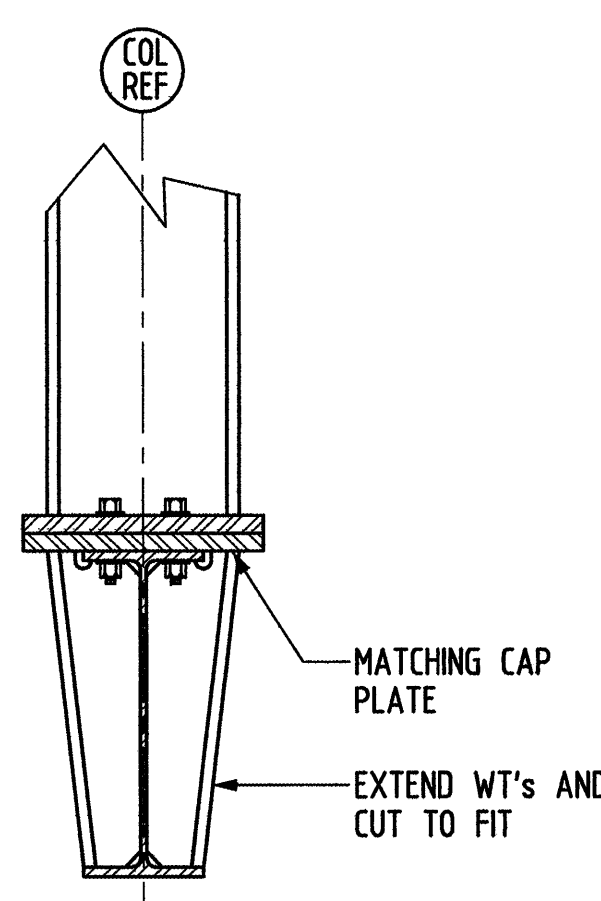


**4 DETAIL
S2.1 NO SCALE**

(TYPICAL W SHAPE TO HSS CONNECTION U.N.O.)



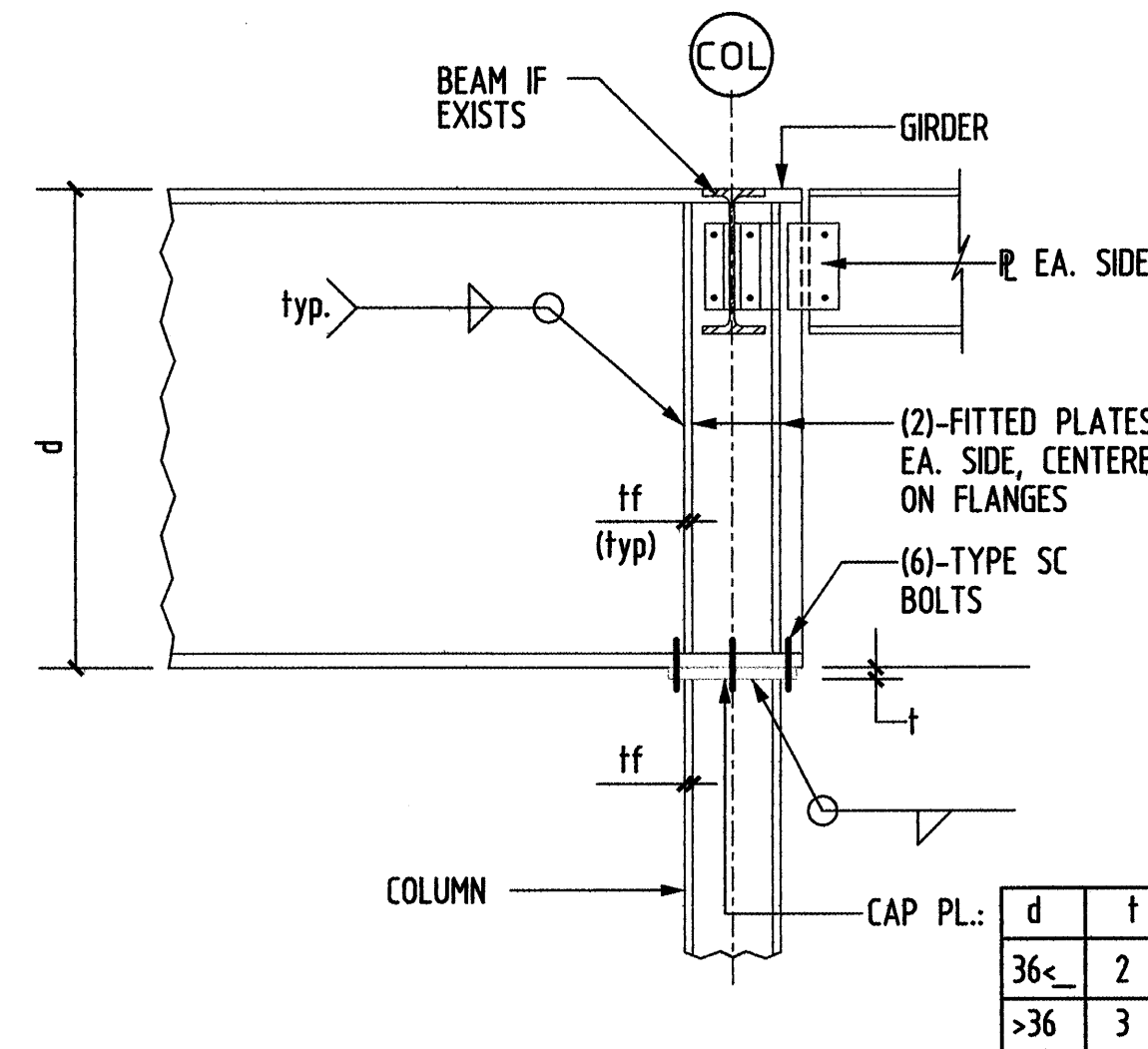
WHERE COLUMN > BEAM



WHERE COLUMN > BEAM

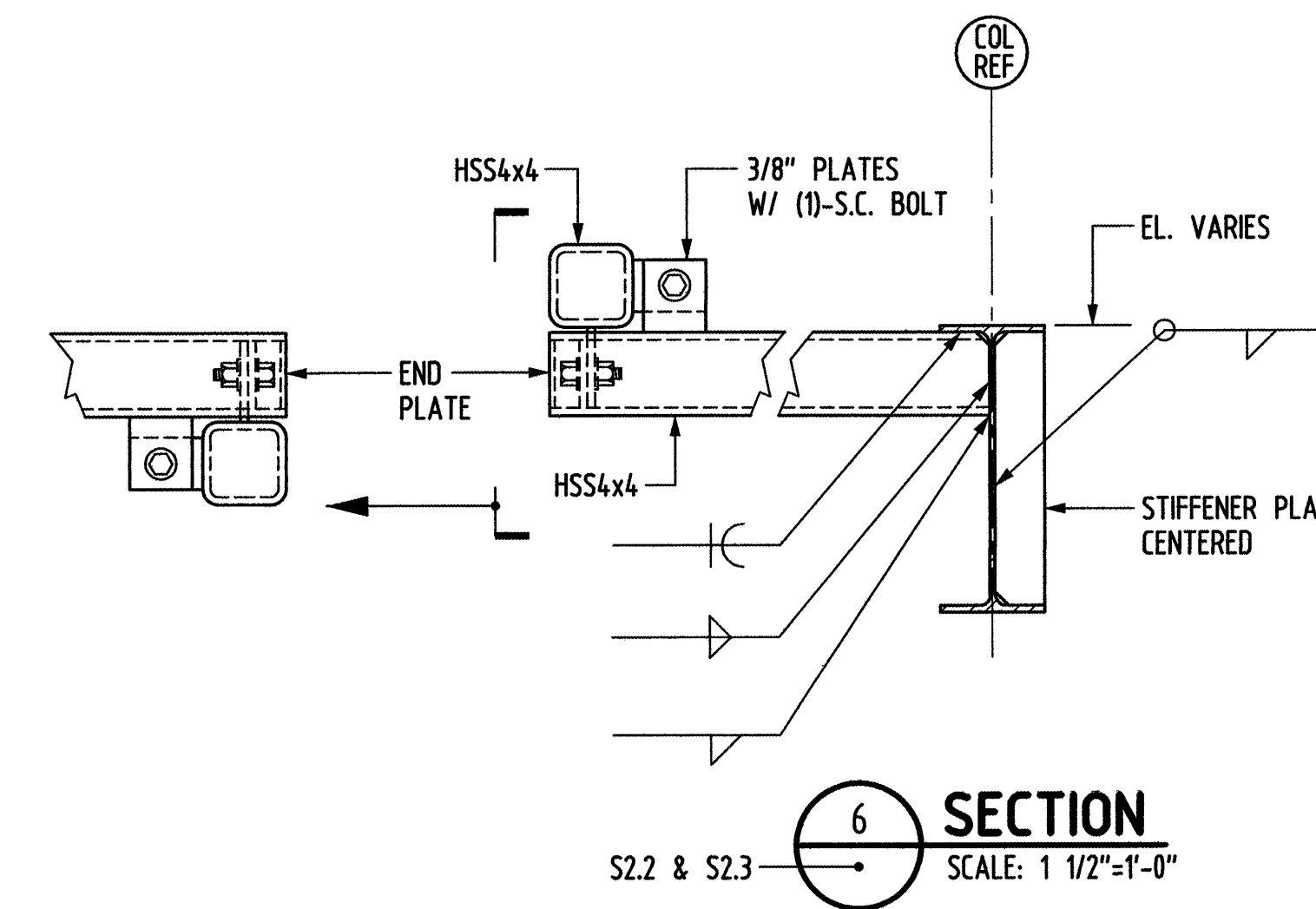
**C DETAIL
S2.1**

TYPICAL DETAILS AT COLUMN UP

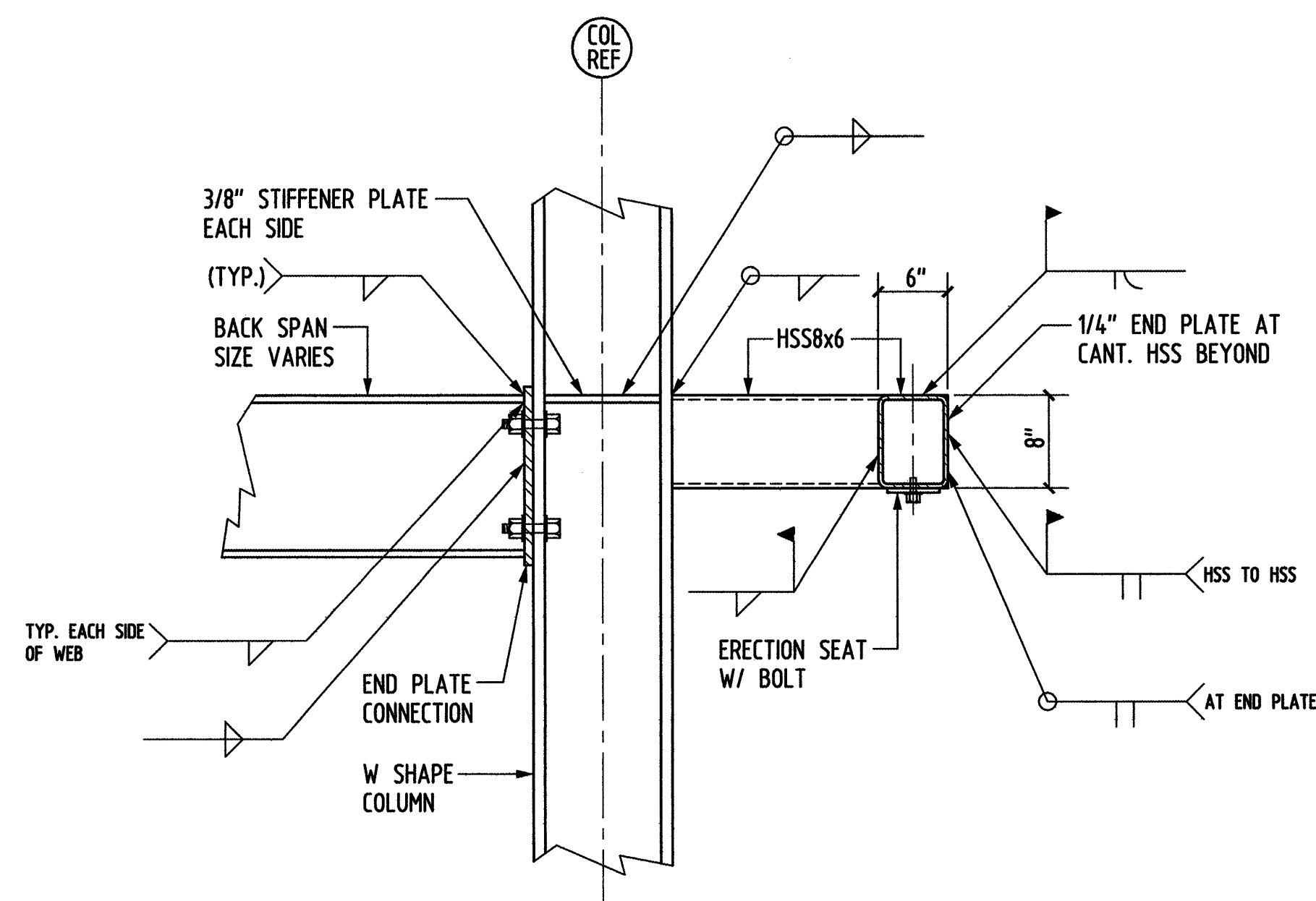


**TYPICAL DETAIL @ GIRDER
TOP OF COLUMN**

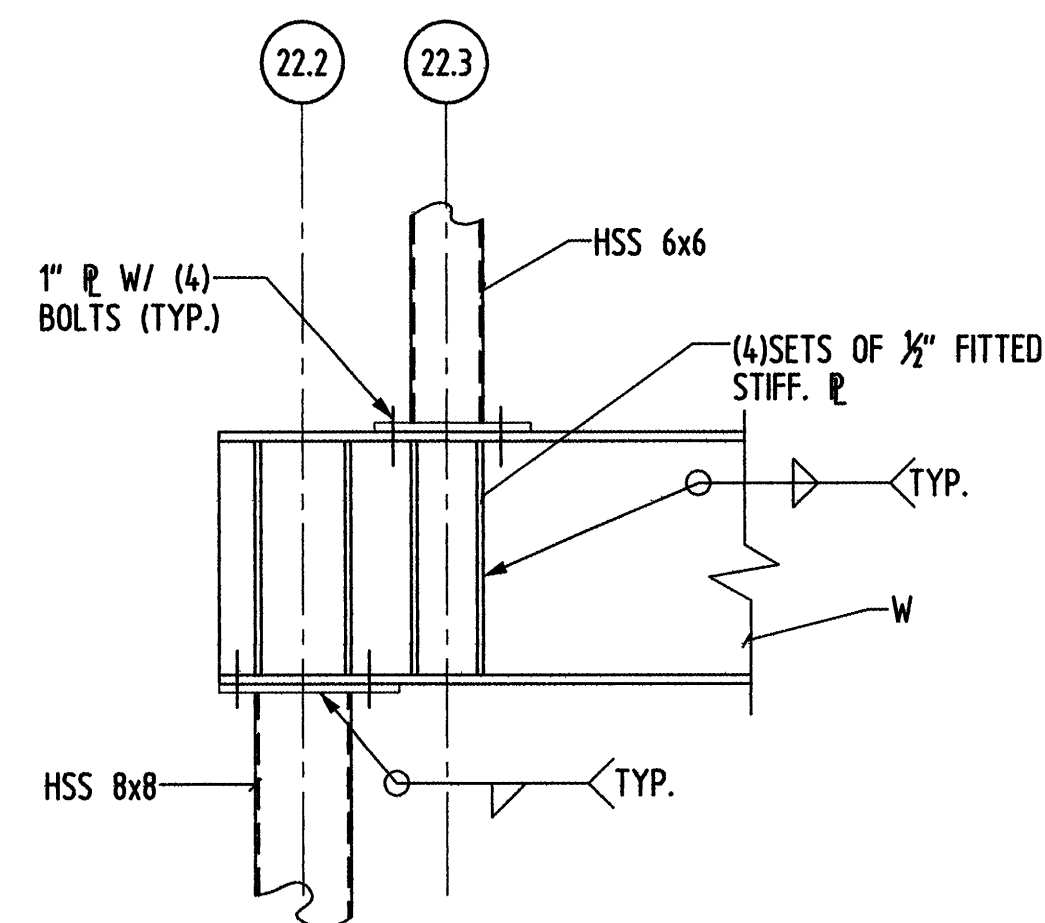
**2 DETAIL
S2.1 NO SCALE**



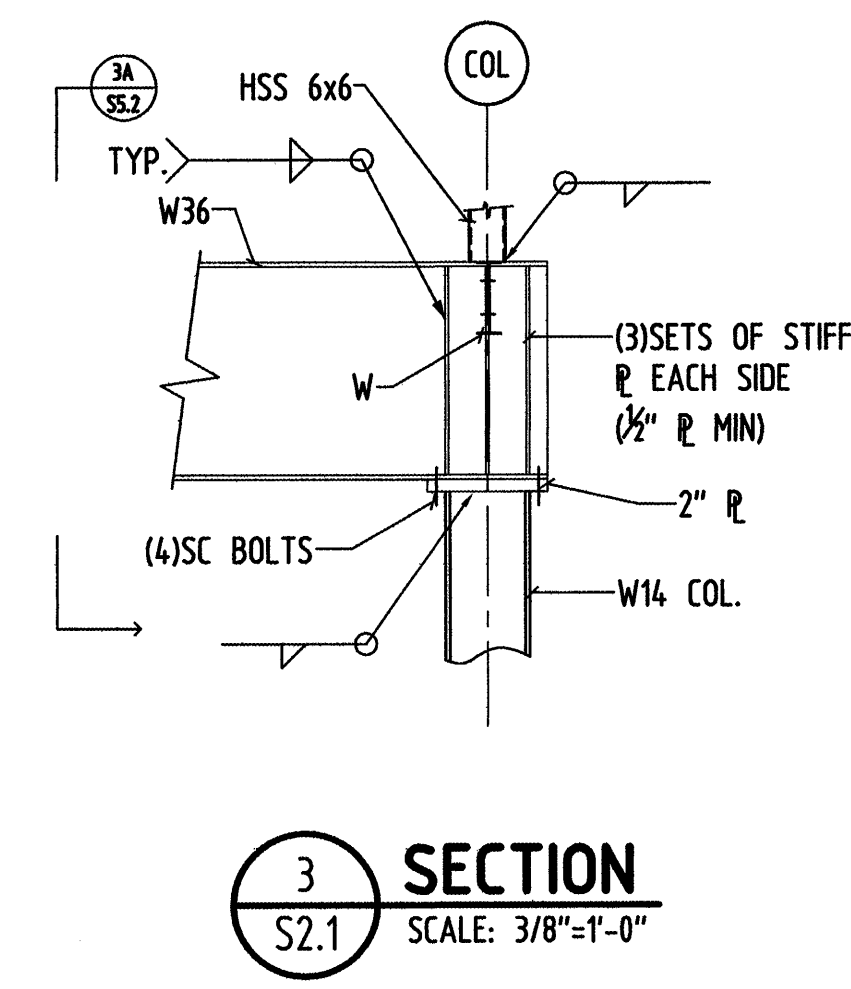
**6 SECTION
S2.2 & S2.3 SCALE: 1 1/2\"/>**



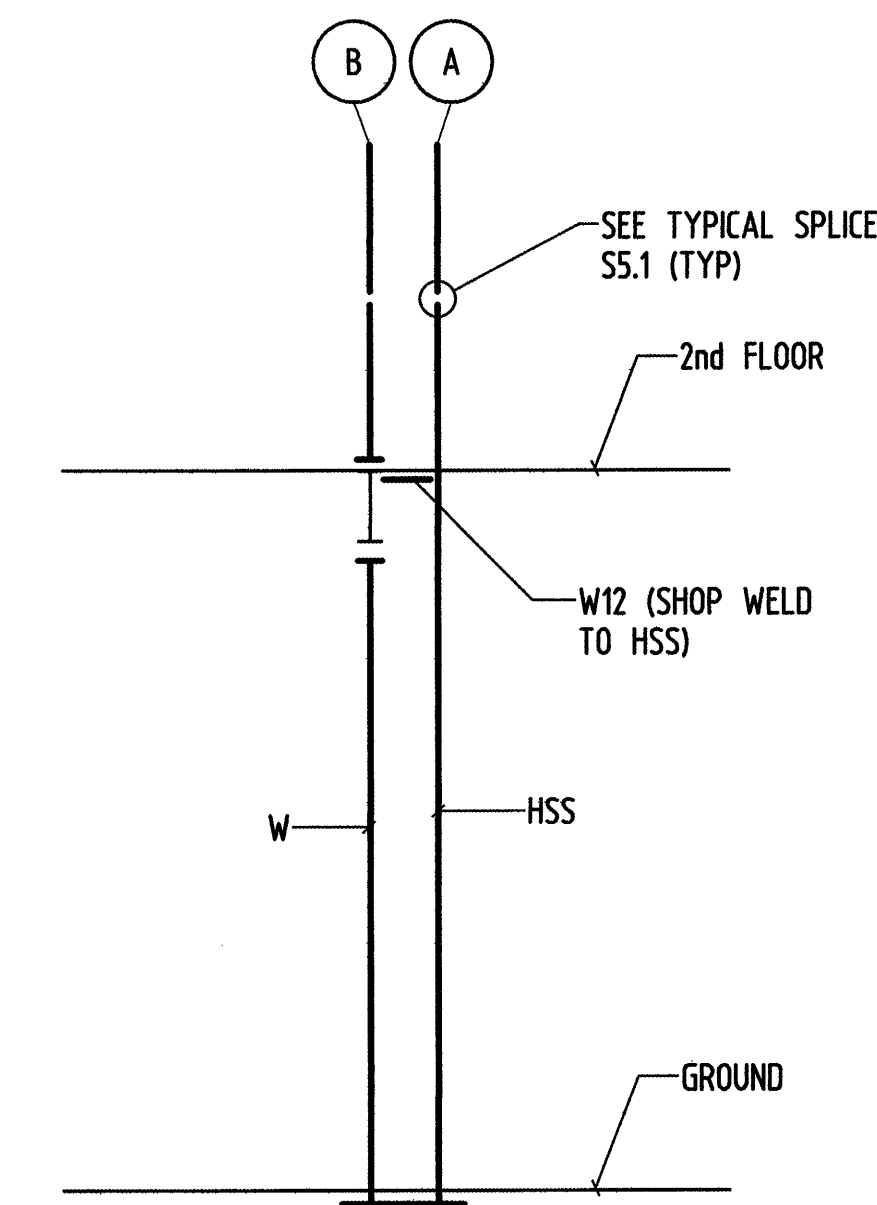
**1 DETAIL
S2.1 SCALE: 1\"/>**



**5 SECTION
S2.1 SCALE: 3/4\"/>**



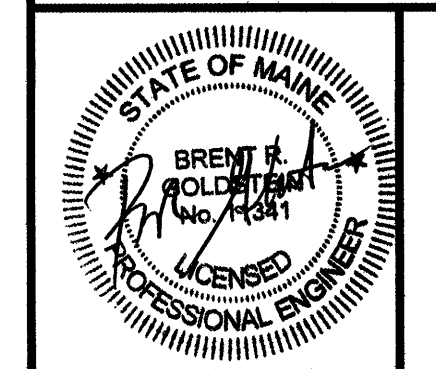
**3 SECTION
S2.1 SCALE: 3/8\"/>**



**3A SECTION
S5.2**

PERMIT ISSUE - 09/27/07

NO.	REVISION	DATE
SCALE: AS NOTED	DRAWN BY: FTV	
DATE: 09/27/07	CHECKED BY: BRG	



PROJECT
RESIDENCE INN BY MARRIOTT
PORTLAND, ME.
JOB # 27089.00

TITLE
STEEL DETAILS III

GROUP ONE
21 W. THIRD STREET, BOSTON, MA 02127
TEL. (617)268-7000 FAX: (617)268-0209

DRAWING NO.
S5.2