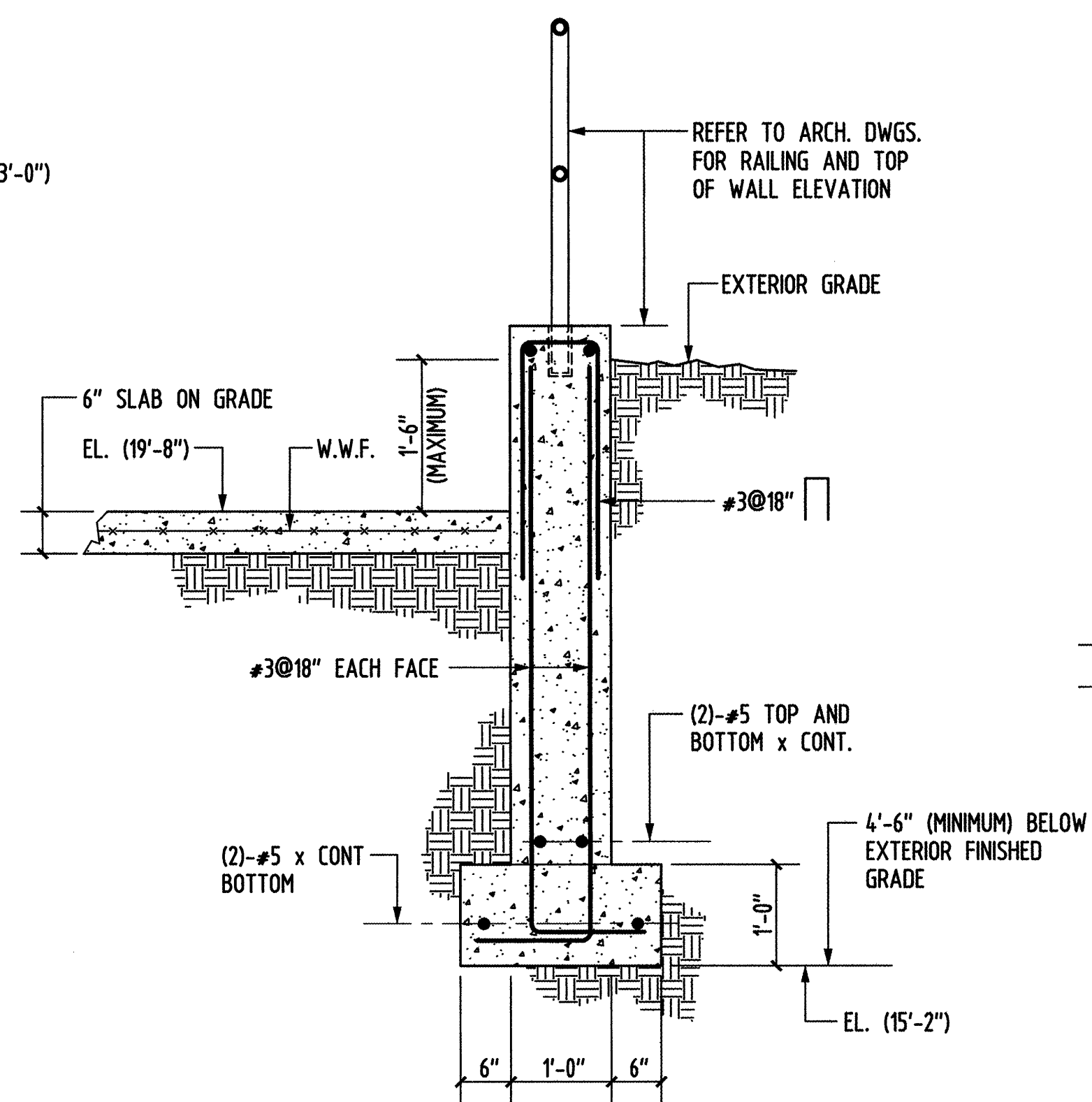
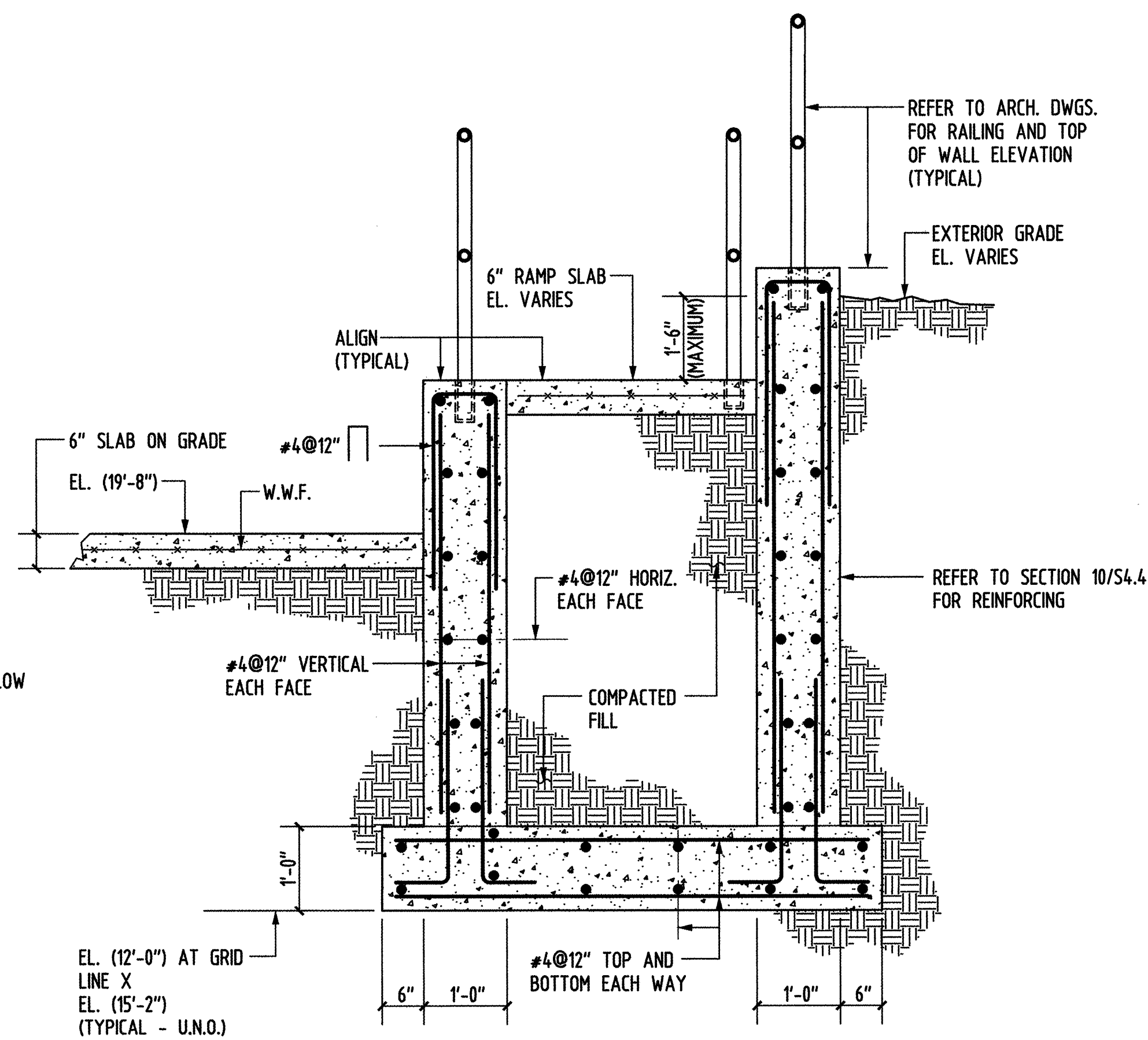


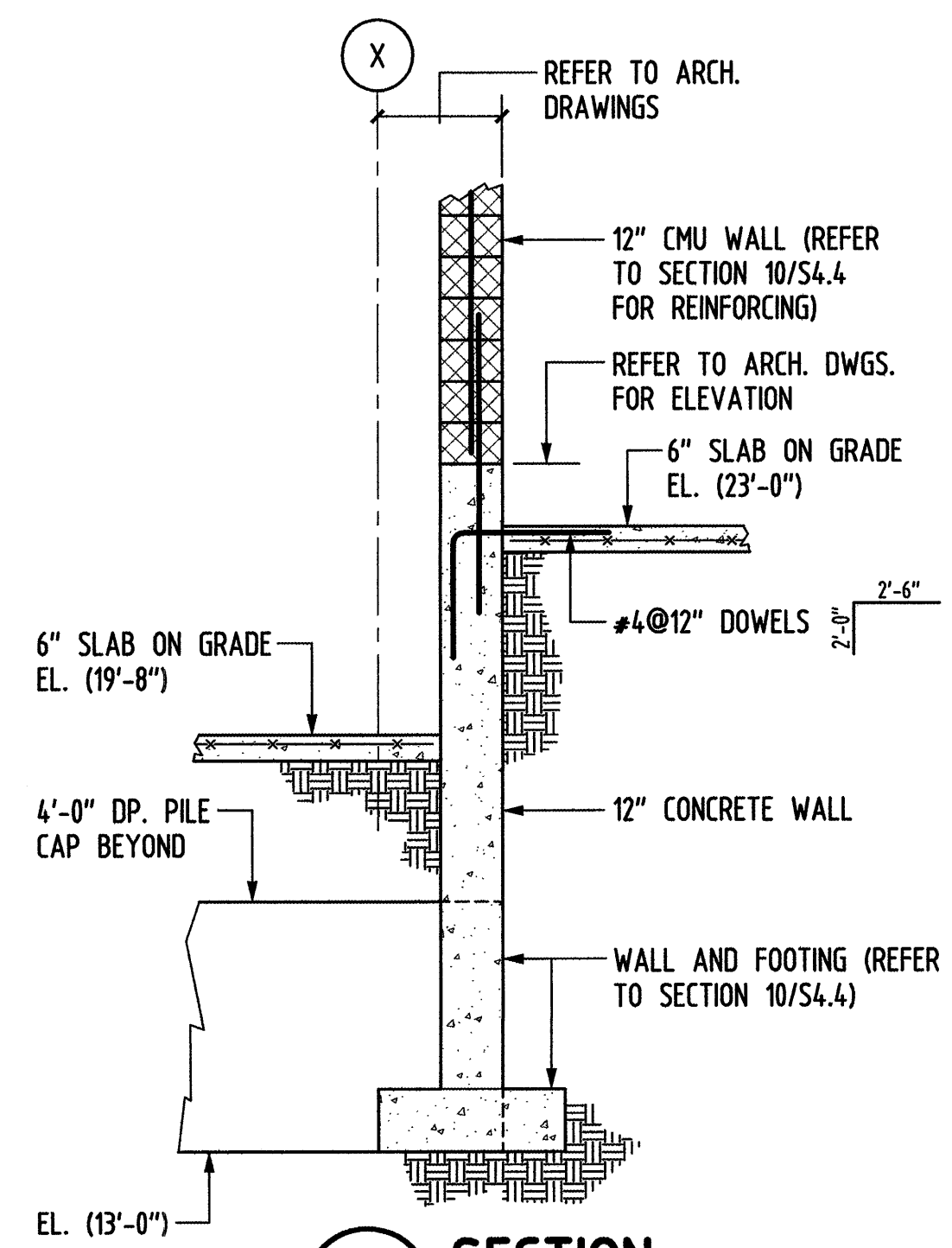
7 SECTION
S2.0 SCALE: 1"=1'-0"



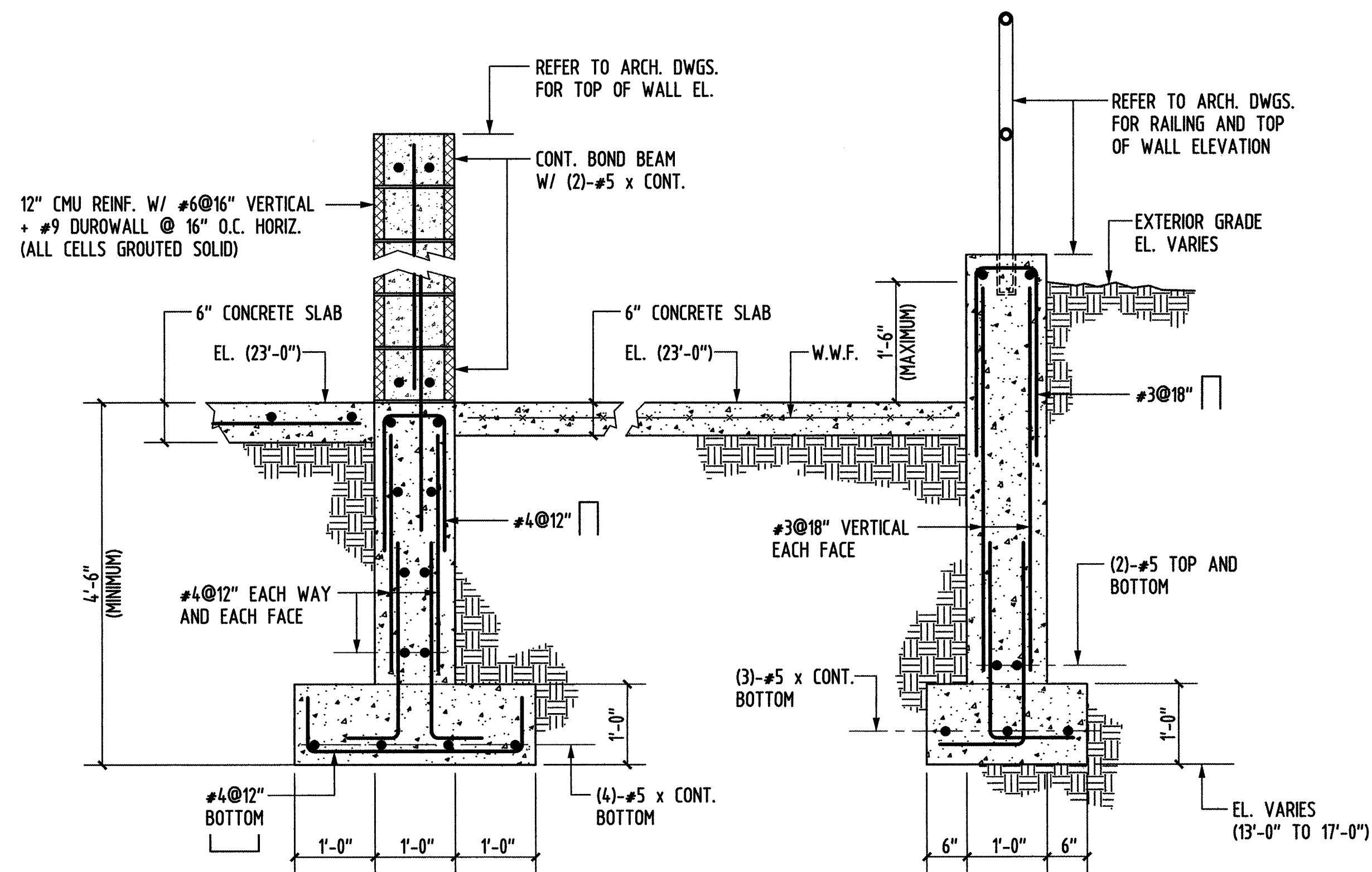
8 SECTION
S2.0 SCALE: 3/4"=1'-0"



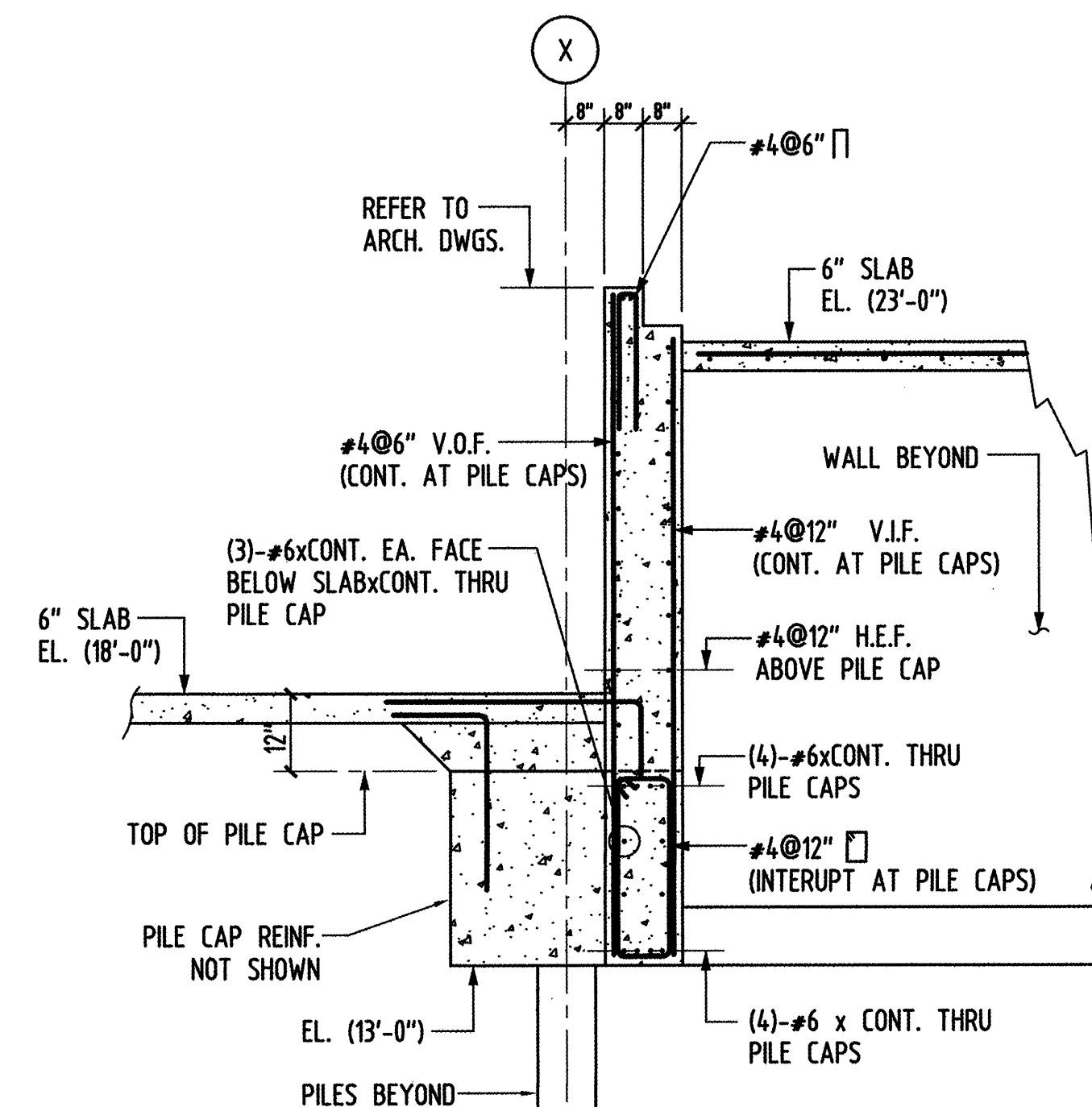
9 SECTION
S2.0 SCALE: 3/4"=1'-0"



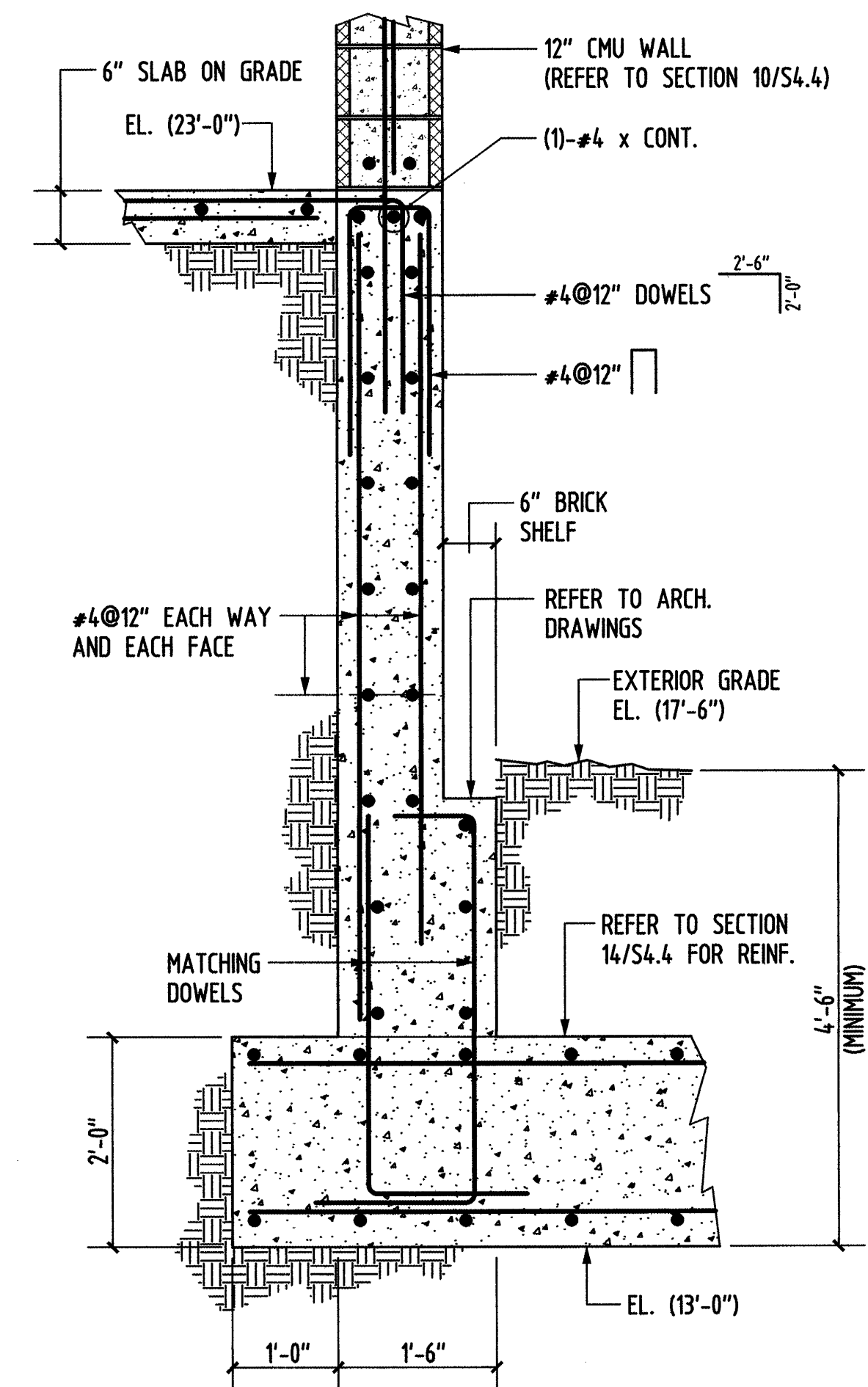
13 SECTION
S2.0 SCALE: 3/8"=1'-0"



10 SECTION
S2.0 SCALE: 3/4"=1'-0"



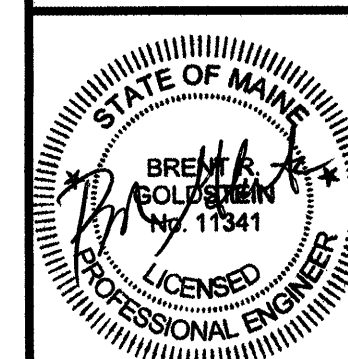
11 SECTION
S2.0 SCALE: 3/8"=1'-0"



12 SECTION
S2.0 SCALE: 3/4"=1'-0"

PERMIT ISSUE - 09/27/07

NO.	REVISION	DATE
SCALE: AS NOTED	DRAWN BY: FTV	
DATE: 09/27/07	CHECKED BY: BRG	



PROJECT
RESIDENCE INN BY MARRIOTT
PORTLAND, ME.
JOB # 27089.00

TITLE
CONCRETE DETAILS V

GROUP ONE
21 W. THIRD STREET, BOSTON, MA 02127
TEL. (617)268-7000 FAX: (617)268-0209

DRAWING NO.
S4.4