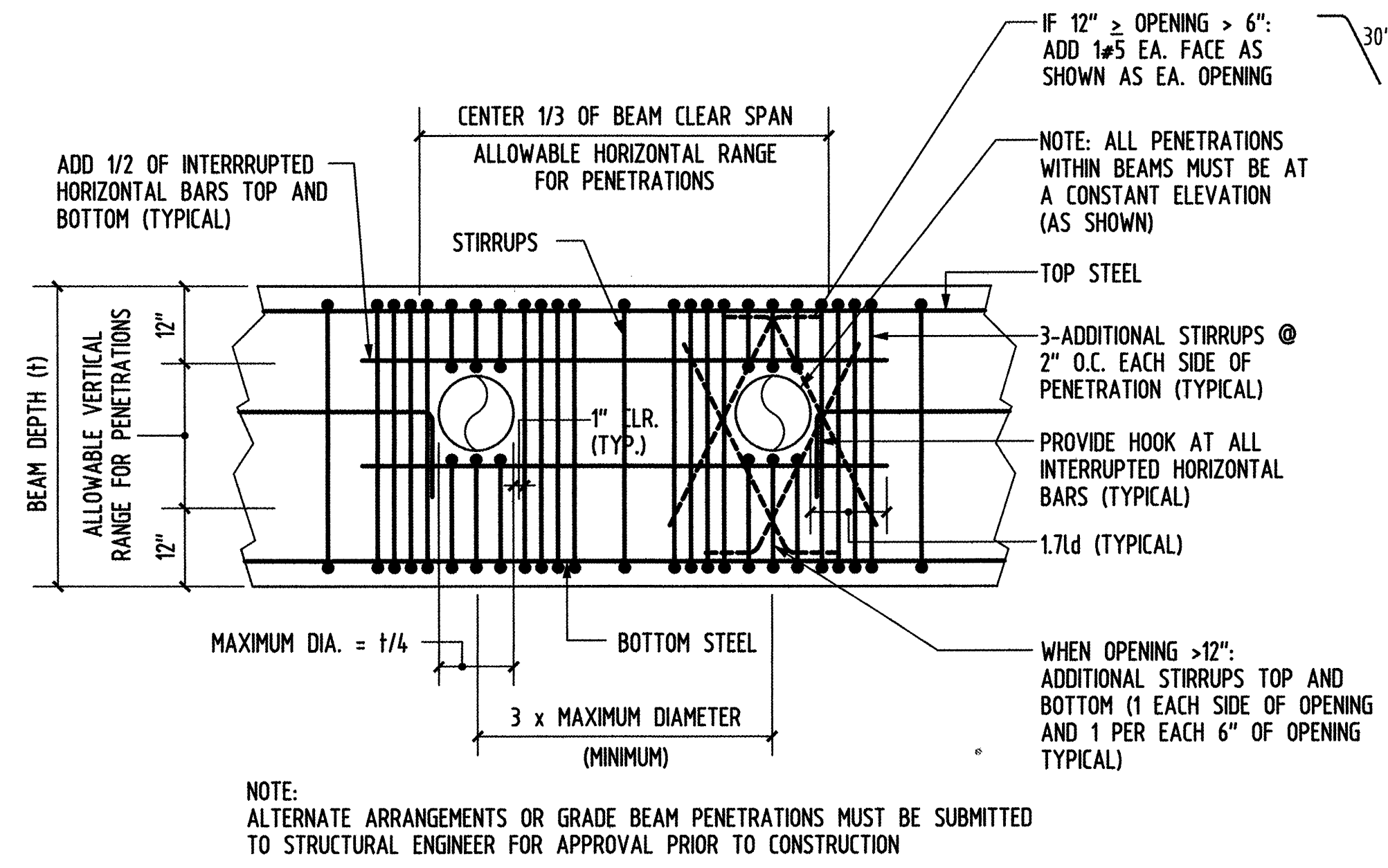
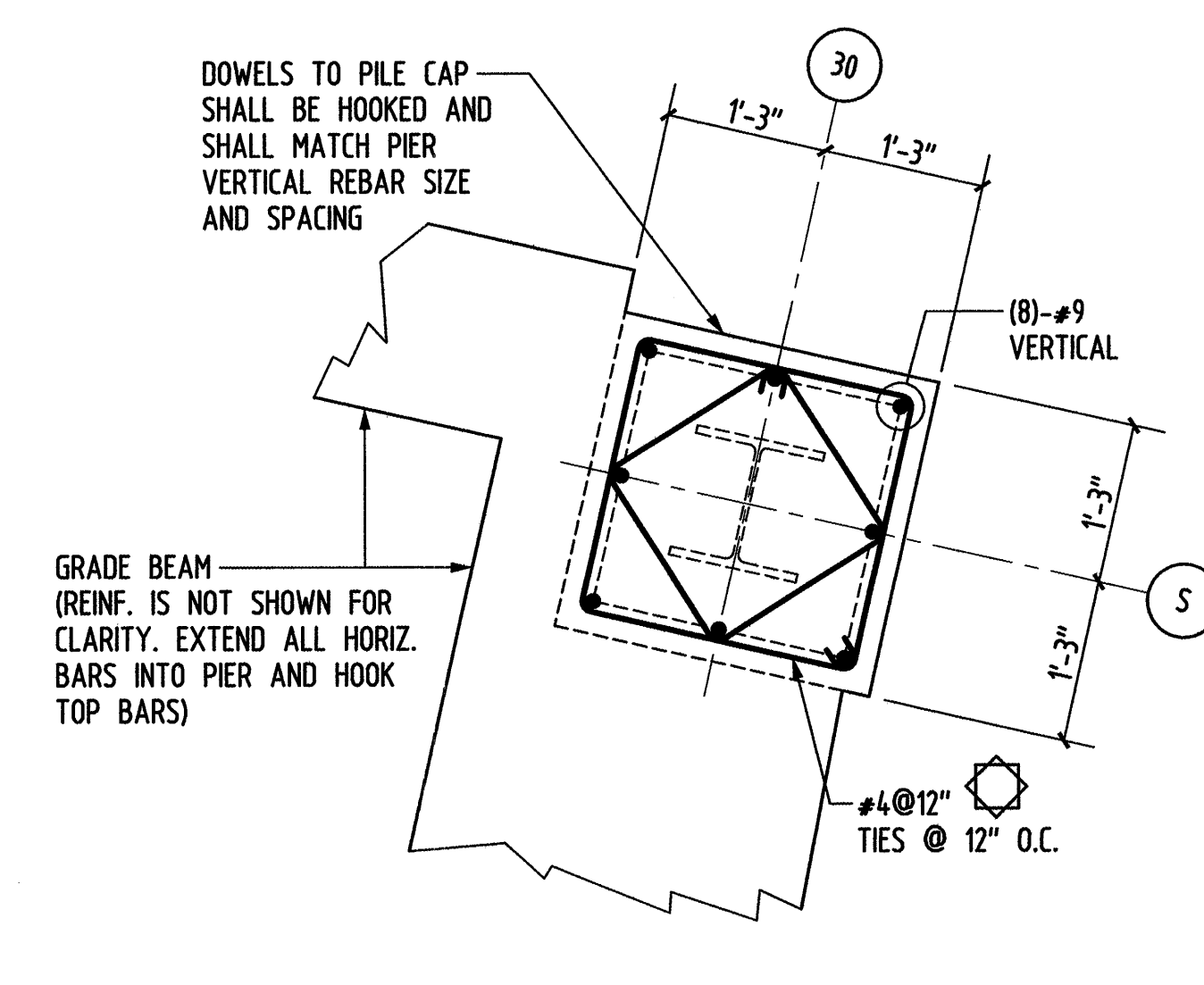


**TYPICAL CONSTRUCTION JOINT DETAIL AT CONCRETE GRADE BEAMS (GB)**

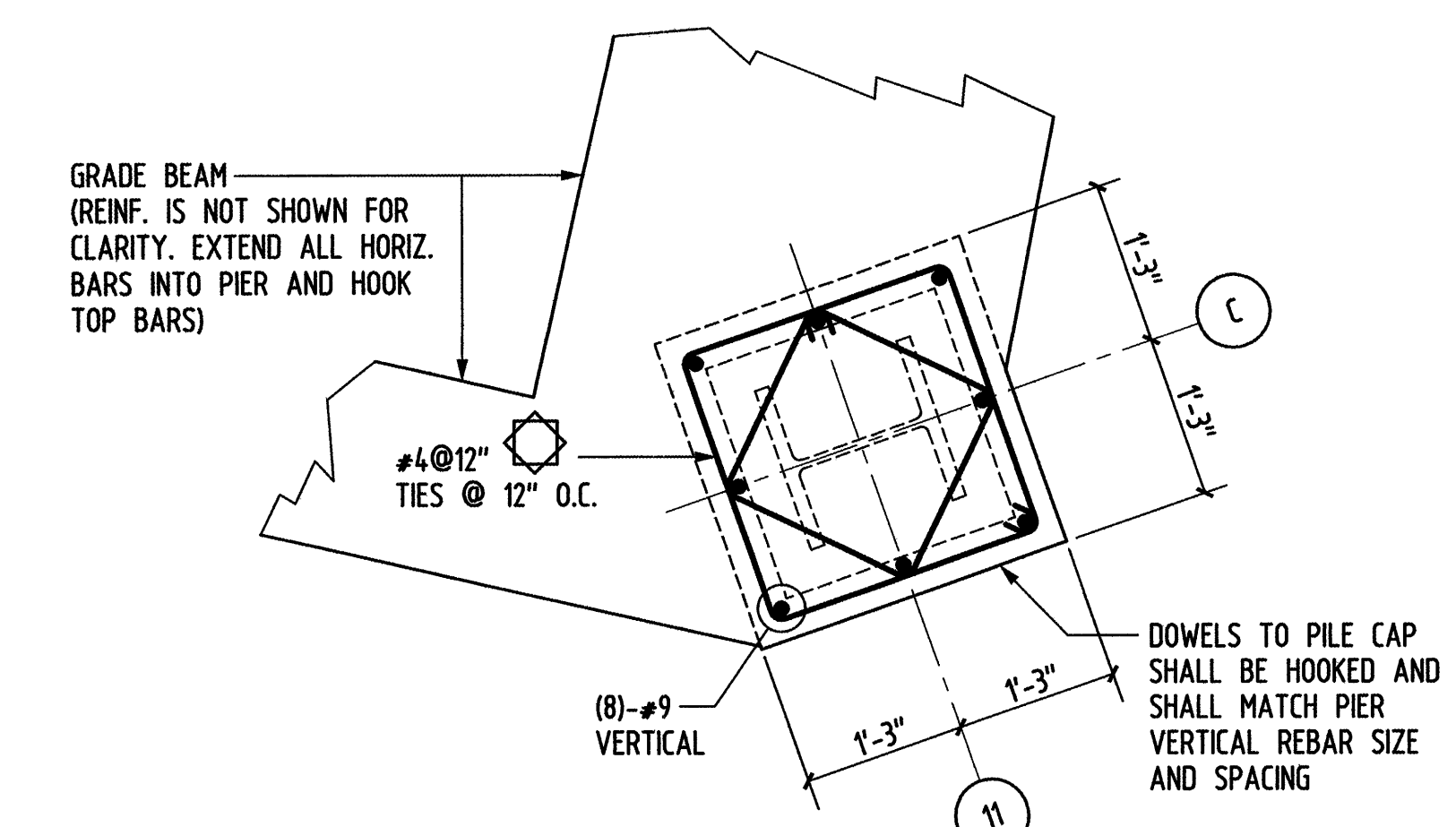


**TYPICAL DETAIL AT GRADE BEAM PENETRATIONS**

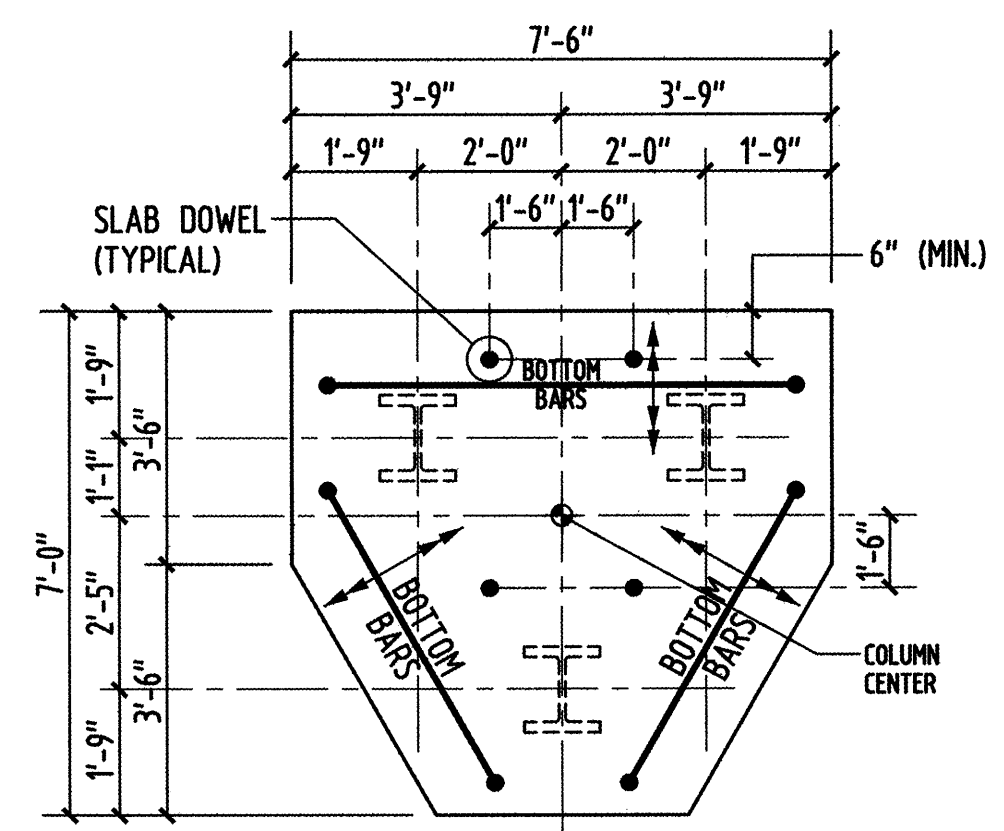
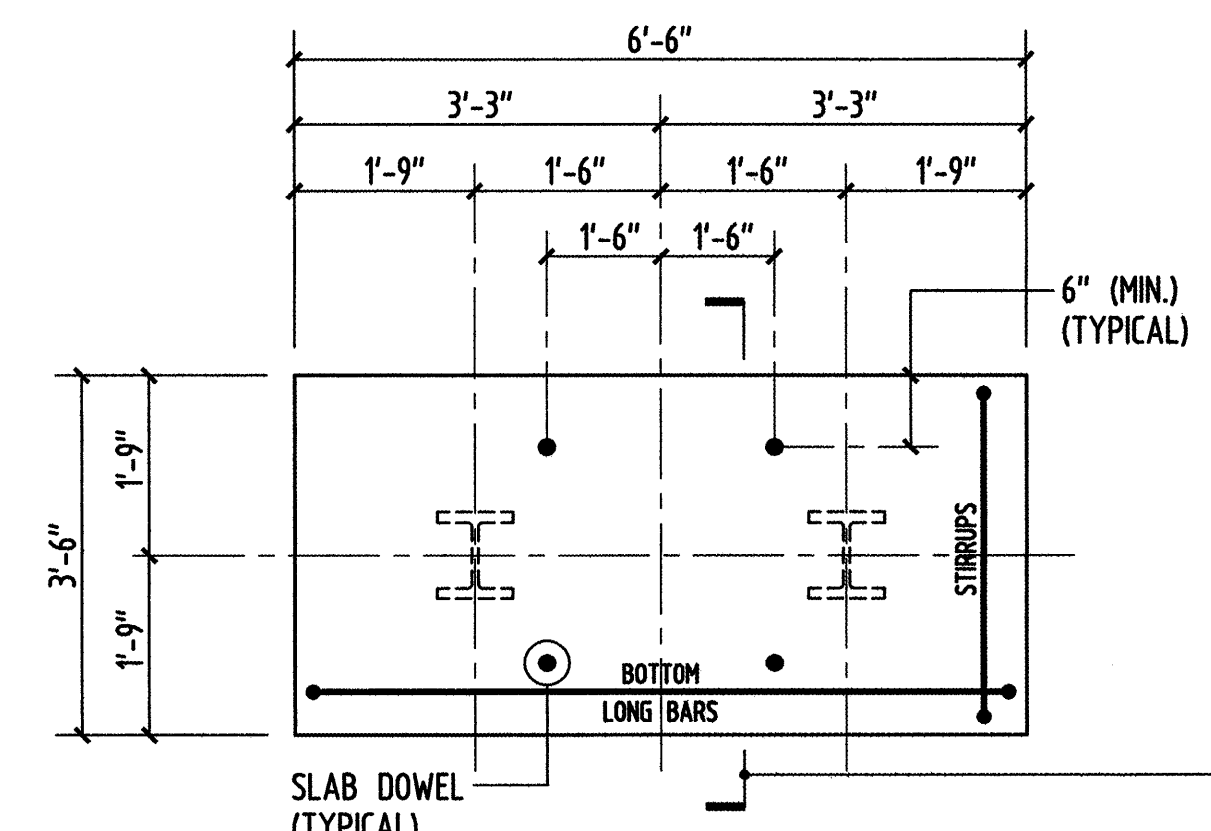
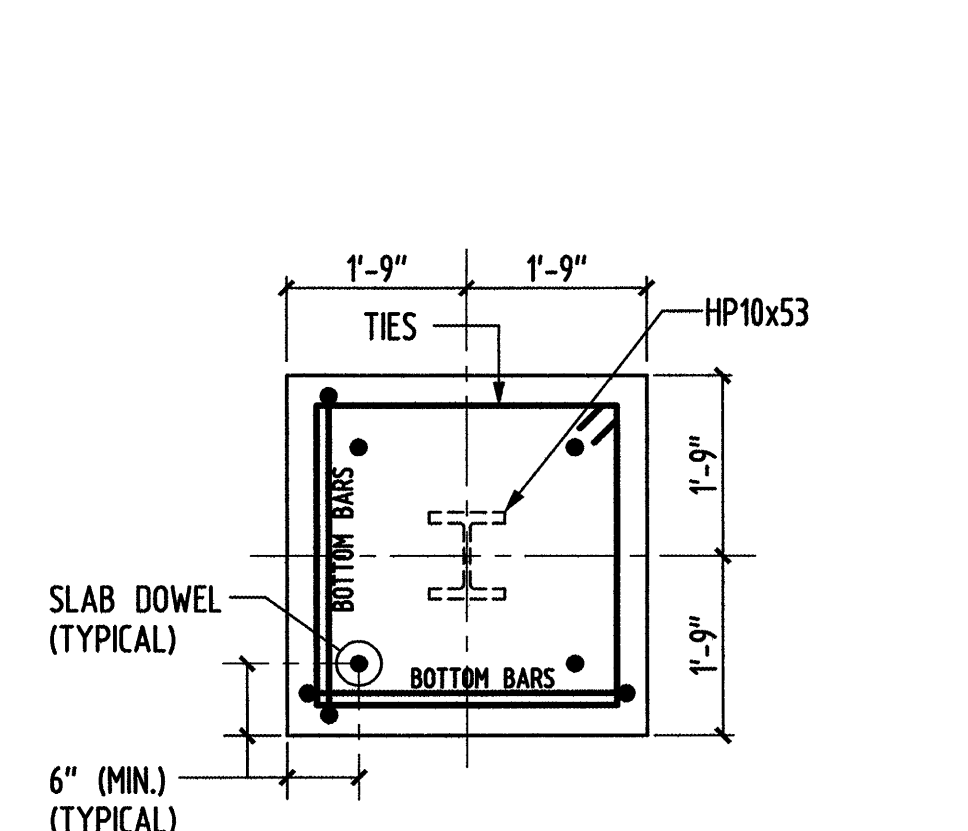
(UNLESS OTHERWISE NOTED ON PLANS)  
NOTE  
TYPICAL FOR BEAMS DESIGNATED "GB"



**PIER DETAIL AT S-30**  
SCALE: 3/4"=1'-0"



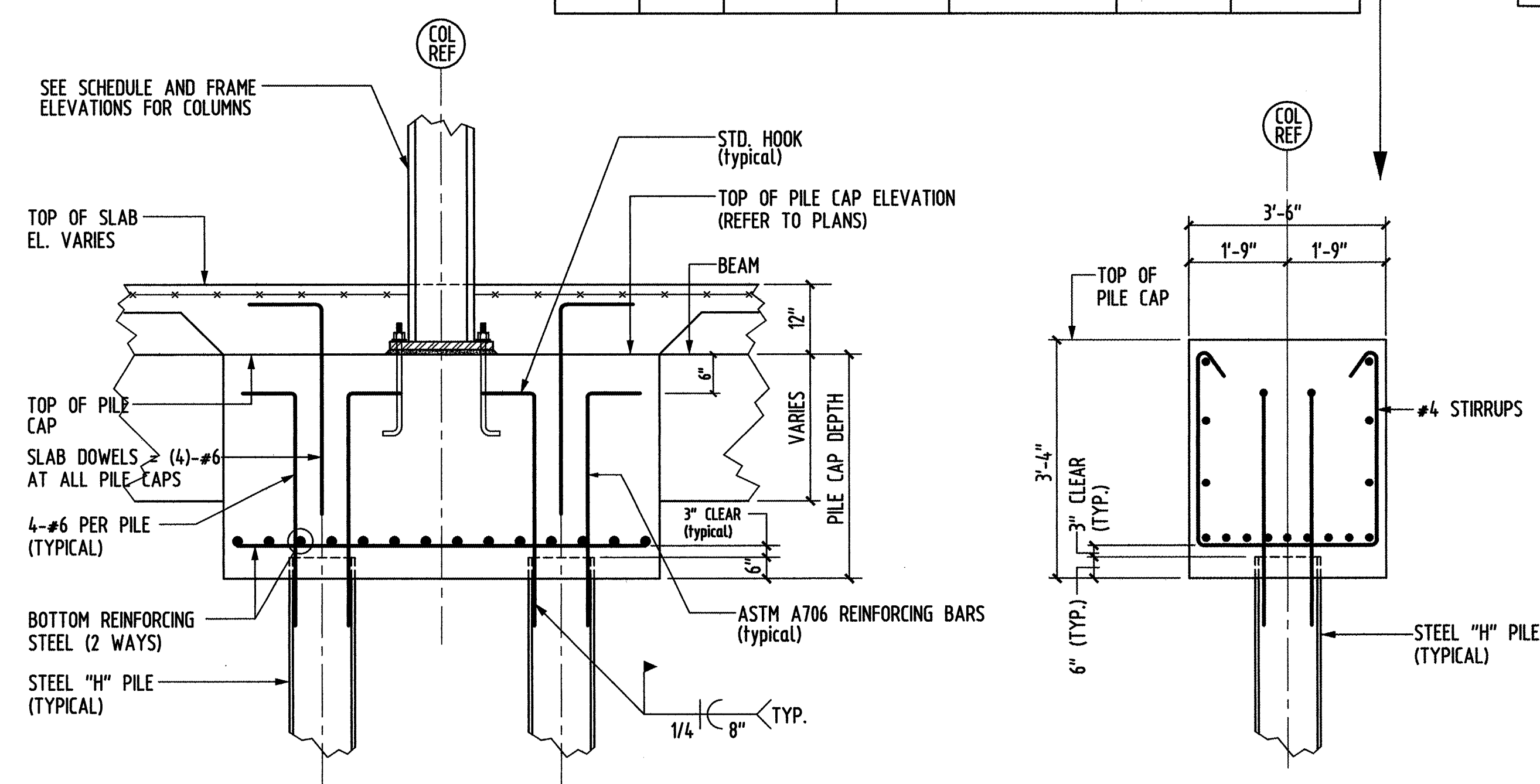
**PIER DETAIL AT C-11**  
SCALE: 3/4"=1'-0"



MARK	DEPTH	REINFORCING BARS	
		EACH WAY	TIES
PC-153	40"	10-#7	1-#4 T&B

MARK	DEPTH U.N.O.	REINFORCING BARS			PILES	PILE CAPACITY
		LONG	STIRRUPS	EACH LONG FACE		
PC-253	40"	(8)-#7	#4@6"	(3)-#7	(2) HP12x53	50 TONS
PC-257	40"	(8)-#7	#4@6"	(3)-#7	(2) HP10x57	75 TONS
PC-274	40"	(8)-#7	#4@6"	(3)-#7	(2) HP12x74	100 TONS

MARK	DEPTH	REINFORCING BARS		PILES	PILE CAPACITY
		3 WAYS			
PC-353	40"	(10)-#7		(3) HP12x53	50 TONS
PC-357	40"	(10)-#7		(3) HP10x57	75 TONS



**TYPICAL "H" PILE CAP SECTION**

PERMIT ISSUE - 09/27/07

NO.	REVISION	DATE
SCALE: AS NOTED	DRAWN BY: FTV	
DATE: 09/27/07	CHECKED BY: BRG	

PROJECT  
**RESIDENCE INN BY MARRIOTT**  
PORTLAND, ME.  
JOB # 27089.00

TITLE  
**CONCRETE DETAILS III**

GROUP ONE  
21 W. THIRD STREET, BOSTON, MA 02127  
TEL. (617)268-7000 FAX: (617)268-0209

DRAWING NO.  
**S4.2**