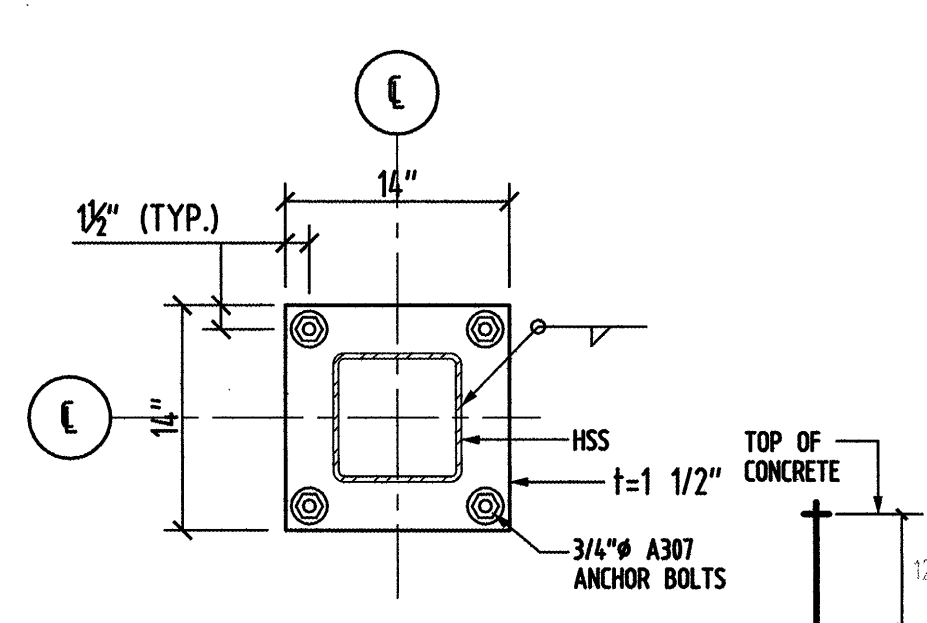


### STEEL COLUMN SCHEDULE

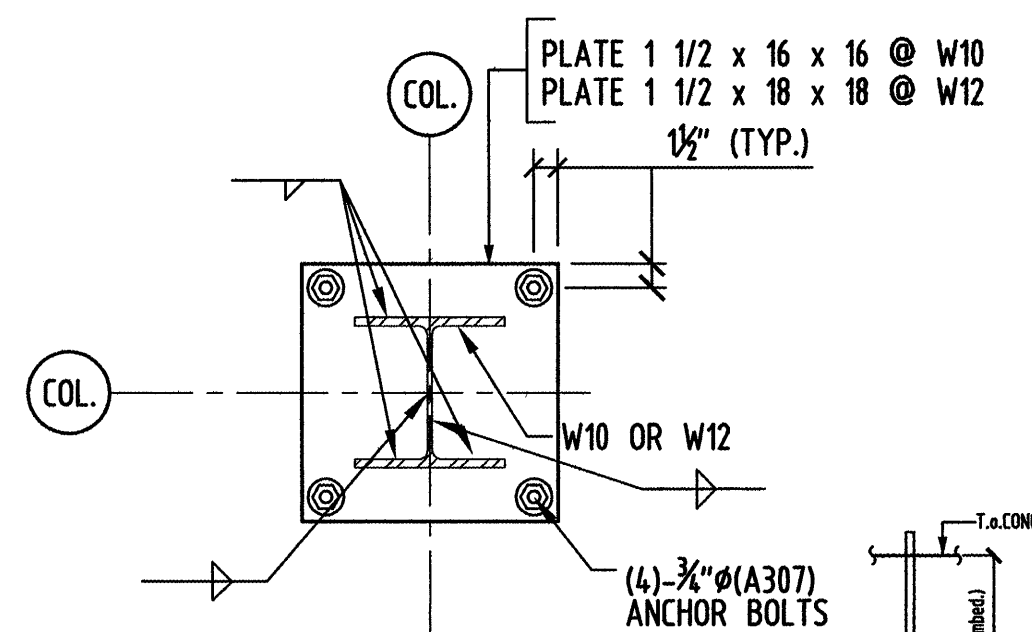
COLUMN MARK	B.7-2	B-6 B-8 S-31.3	B-7	S-33 V-33 X-33	P-19.9 I-iii J-iii K-iii S-31	T-20 I-iv	G.3-1 S-32.2 V-32.2	W-20 W-21 X-22 R-29 S-29.1 X-31	H-ii	J-ii K-ii V-21 R-21.6 K-IV	L-ii B.3-1 G.4-ii.1 P-21 C-2.6 V-22 L-IV	L-iii	H.1-2.7 V-21.6	R-22.2	R-22.3	J-IV R-24 V-24 R-25 V-25 V-27	J.8-24 K.6-24	K.4-25	B-5 B-9	LOBBY1 LOBBY2 M-26	S-12.7 R-28 V-28 V-29	S-32.1 V-32.1 I-ii R-27	I-ii.5 S-27
FLOOR LEVEL																							
ROOF LEVEL																							
FIFTH LEVEL		W10x33	W10x33	W10x33	W10x33	W10x33		W10x33	W10x49	W10x33	W10x33	W10x49			HSS6x6x3/8	W10x33					W10x33	W10x33	
FOURTH LEVEL																							
THIRD LEVEL		W10x33	W10x33	W10x33	W10x33	W10x33		W10x33	W10x49	W10x33	W10x33	W10x49			HSS6x6x3/8	W10x33					W10x33	W10x33	
SECOND LEVEL																							
GROUND LEVEL	W10x33		W10x88	W10x33	W10x49	W10x39	W10x49	W10x33	W10x49	W10x49		W10x68	W10x68	HSS8x8x1/2		W10x45	W10x49	W10x49	W12x65	HSS6x6x3/8	W10x45		
FOUNDATION																							
BASE PLATE TYPE	B	N/A	B	B	B	B	B	B	B	B	N/A	B	B	A	N/A	B	B	A	B	A	B	N/A	B

**NOTES:**

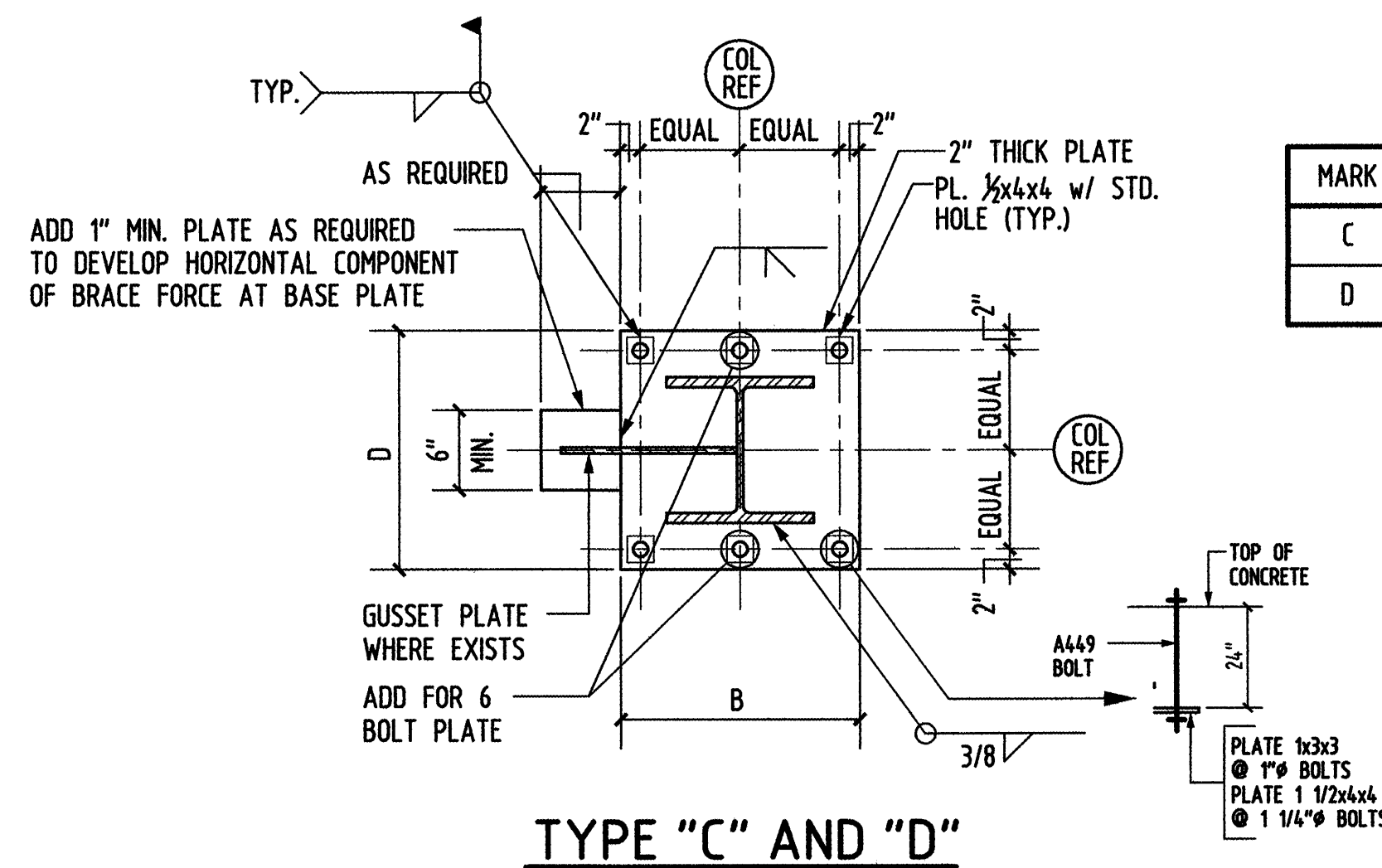
1. SEE DRAWING 3.2 FOR COLUMNS AND BASEPLATES AT MOMENT FRAMES
2. SEE DRAWING 3.2 FOR COLUMNS AND BASEPLATES AT BRACE FRAMES



**BASE PLATE A**



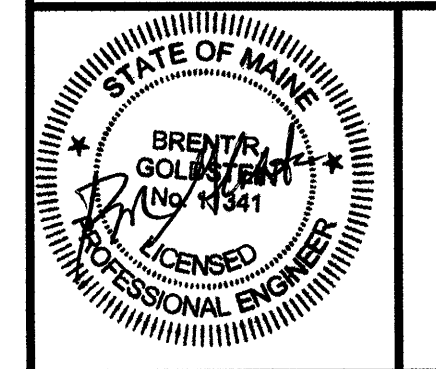
**BASE PLATE B**



MARK	NO. OF BOLTS	BOLT DIAMETER	B	D
C	4	1"	24"	24"
D	6	1 1/4"	24"	24"

PERMIT ISSUE - 09/27/07

NO.	REVISION	DATE
SCALE: AS NOTED	DRAWN BY: FTV	
DATE: 09/27/07	CHECKED BY: BRG	



PROJECT  
**RESIDENCE INN BY MARRIOTT**  
 PORTLAND, ME.  
 JOB # 27089.00

TITLE  
**COLUMN SCHEDULE**

GROUP ONE  
 21 W. THIRD STREET, BOSTON, MA 02127  
 TEL: (617)268-7000 FAX: (617)268-0209

DRAWING NO.  
**S3.0**