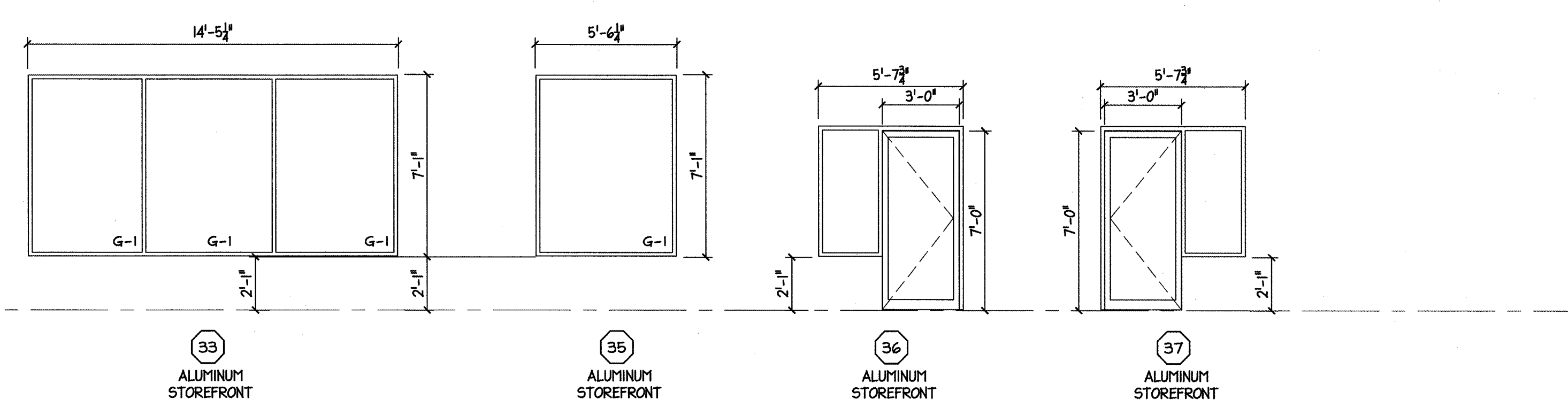


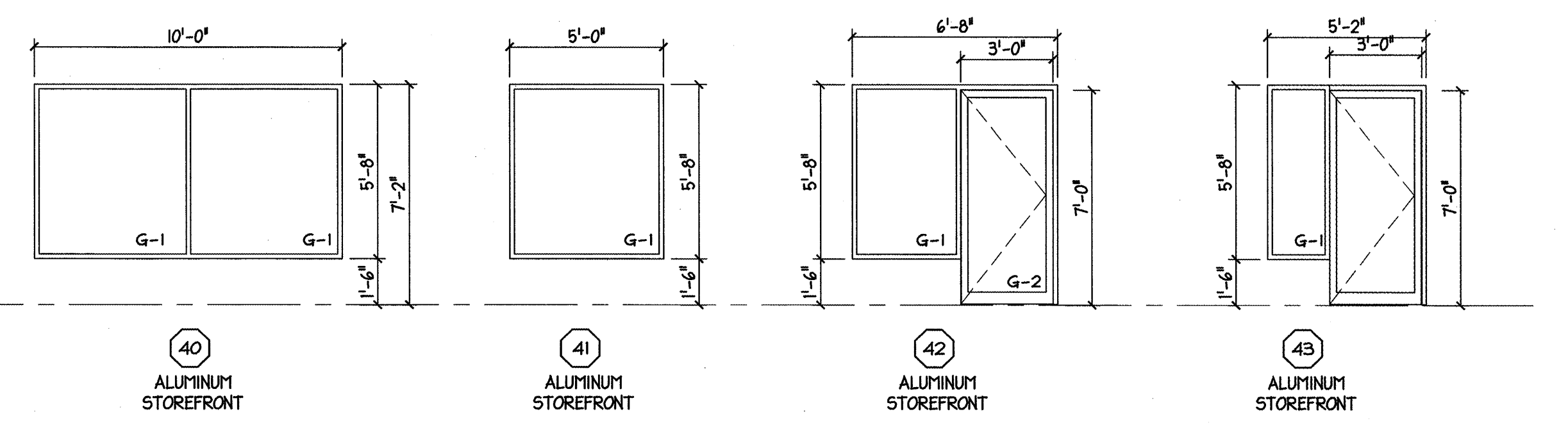
- NOTES:
1. ALL SINGLE HUNG WINDOWS TO HAVE STOPS TO PREVENT WINDOW FROM OPENING MORE THAN 4".
 2. PROVIDE SCREENS AT OPERABLE WINDOWS.
 3. ALL EXTERIOR WINDOWS TO BE 1" INSULATED LOW "E", U=XXX, UNLESS OTHERWISE NOTED
 4. 1" INSULATING GLASS AT INTERIOR STOREFRONT WINDOWS
 5. TEMPERED GLASS AT ALL DOORS AND WINDOWS ADJACENT TO DOORS AND WITHIN 24" OF DOORS AND ALL WINDOWS WITH A SILL HEIGHT OF 18" OR LESS.
 6. TEMPERED GLASS AT EXERCISE ROOM
 7. ALL EXTERIOR WINDOWS TO HAVE INSULATED FRAMES
 8. ALL SILLS TO BE GRANITE
 9. ALL PUBLIC SPACE AND BACK OF HOUSE TO HAVE CAST POLYMER WINDOW SILLS- 341B

GLASS TYPE	
G-1	1" INSULATED GLASS
G-2	1" INSULATED TEMPERED GLASS
G-3	1/4" CLEAR GLASS
G-4	1/4" TEMPERED GLASS

NOTES:
DIMENSIONS ARE SHOWN FOR FRAME SIZE. GC TO COORDINATE WIDTH MASONRY AND PRECAST OPENING SIZES AND PROVIDE SHIMMING AS REQUIRED.

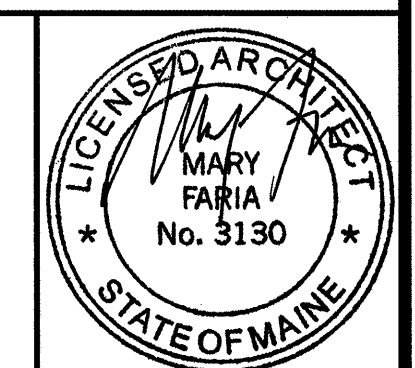


INTERIOR STOREFRONT



PERMIT ISSUE - 09/27/07

NO.	REVISION	DATE
SCALE: As Noted		DRAWN BY: AVS
DATE:		CHECKED BY: JR



PROJECT
RESIDENCE INN BY MARRIOTT
PORTLAND, ME
JOB# 802

TITLE
WINDOW SCHEDULE AND DETAILS

GROUP ONE
21 W. THIRD STREET, BOSTON, MA 02127
TEL: (617)268-7000 FAX: (617)268-0209

DRAWING NO.
A8.4