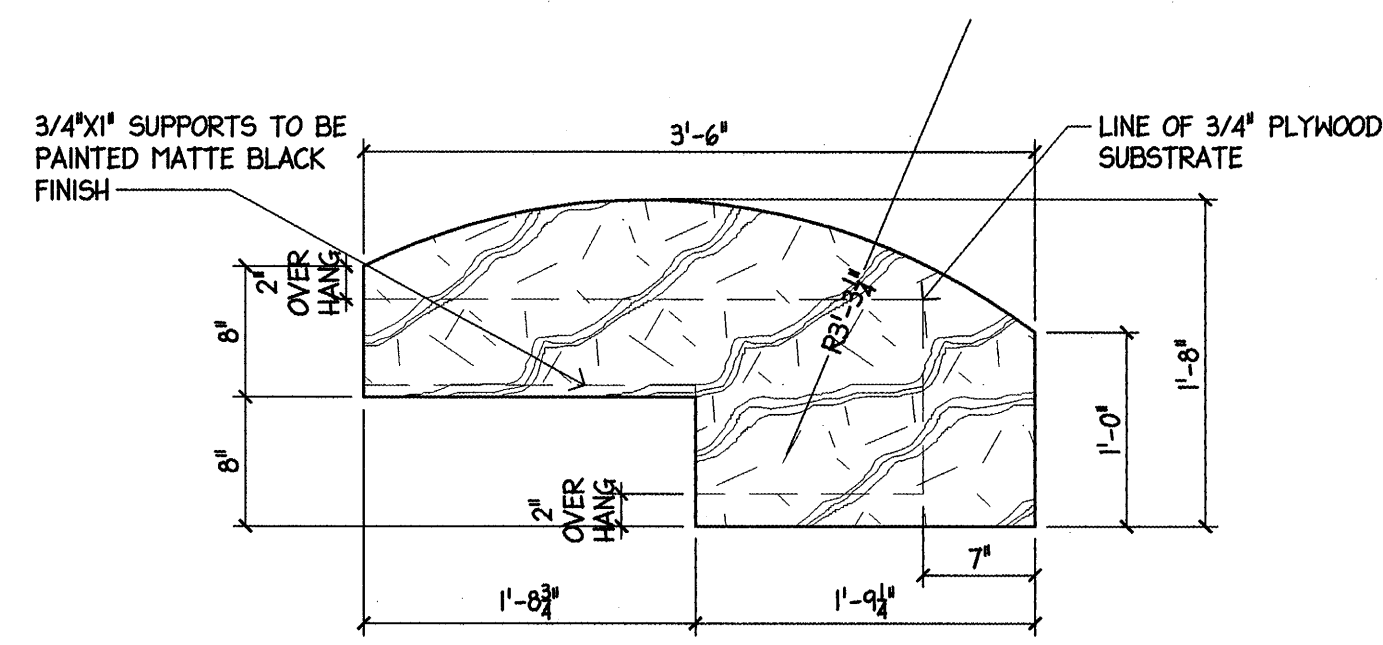
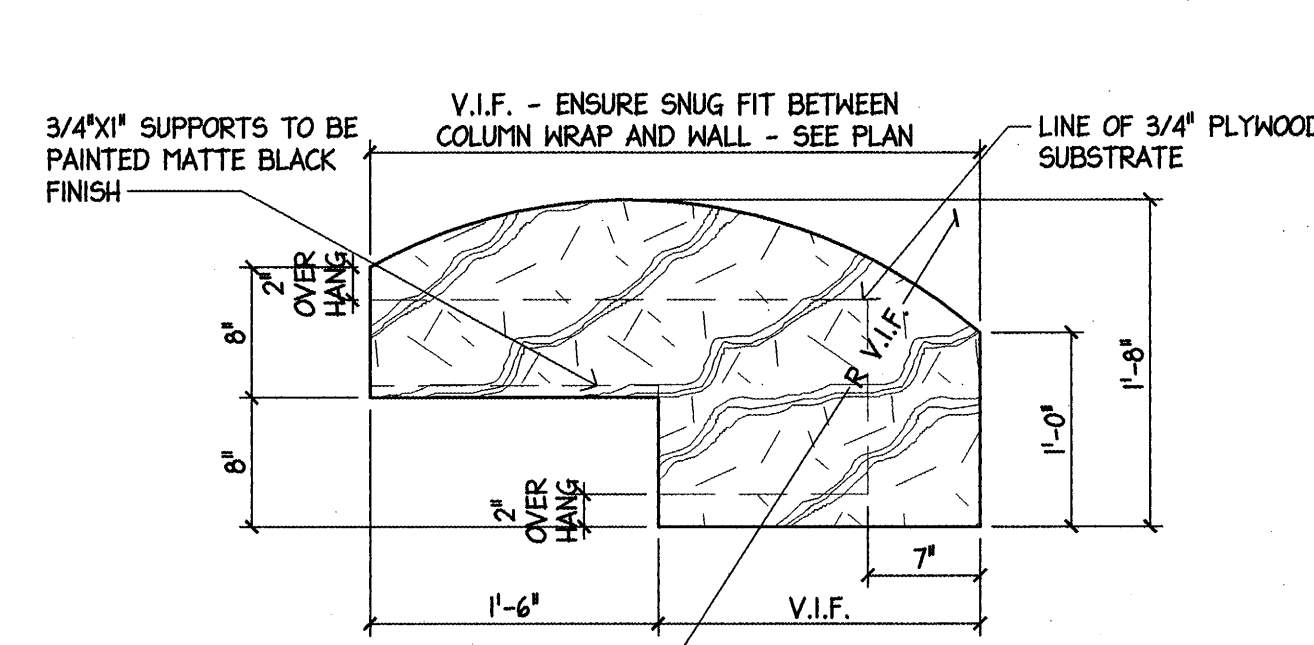


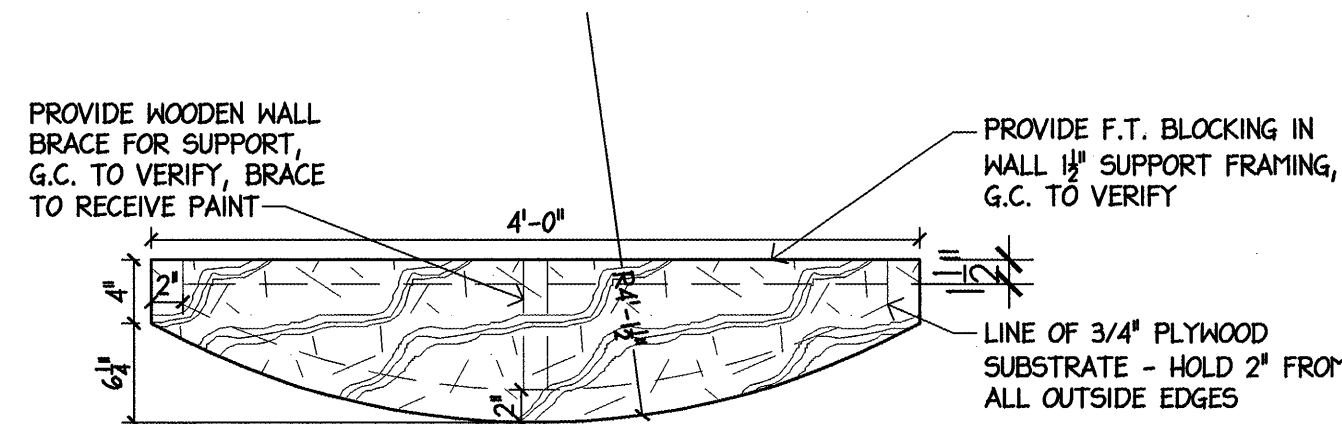
A WELCOME SHELF - TYPICAL
1/2" = 1'-0"



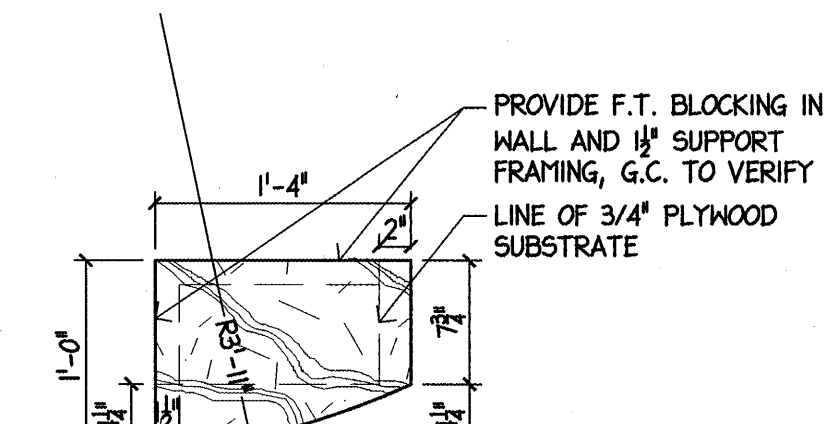
B WELCOME SHELF - STUDIO 6
1/2" = 1'-0"



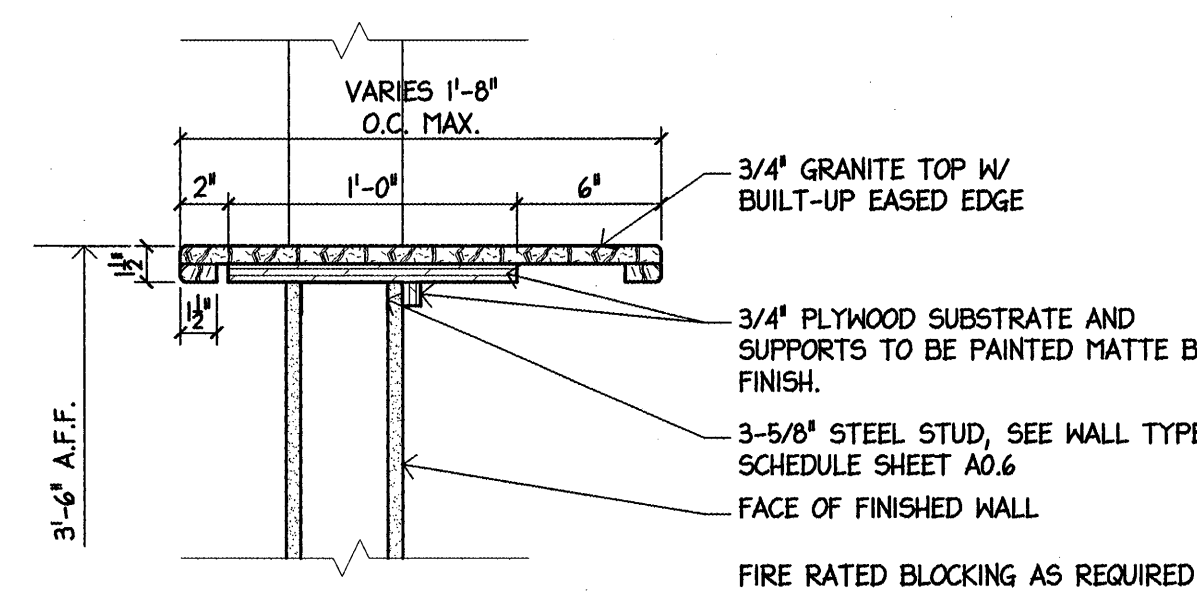
C WELCOME SHELF - 2 BEDROOM 2
1/2" = 1'-0"



D WELCOME SHELF - STUDIO 5
1/2" = 1'-0"

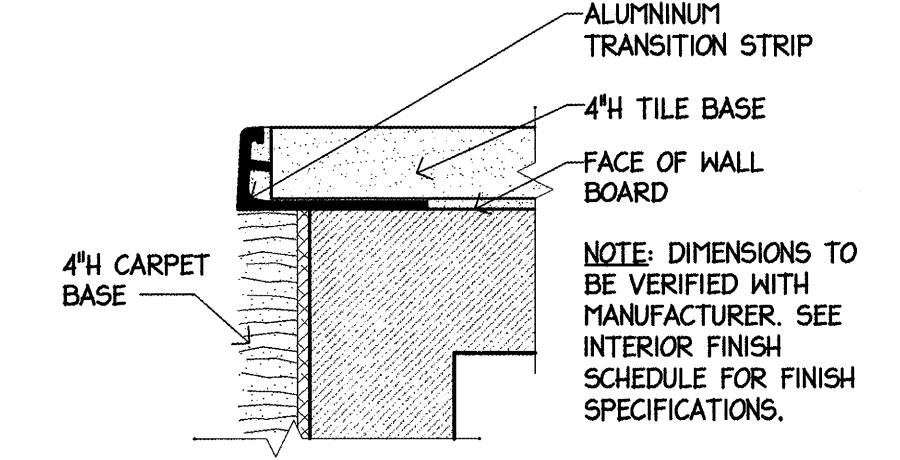


E WELCOME SHELF - 1 BEDROOM 2
1/2" = 1'-0"

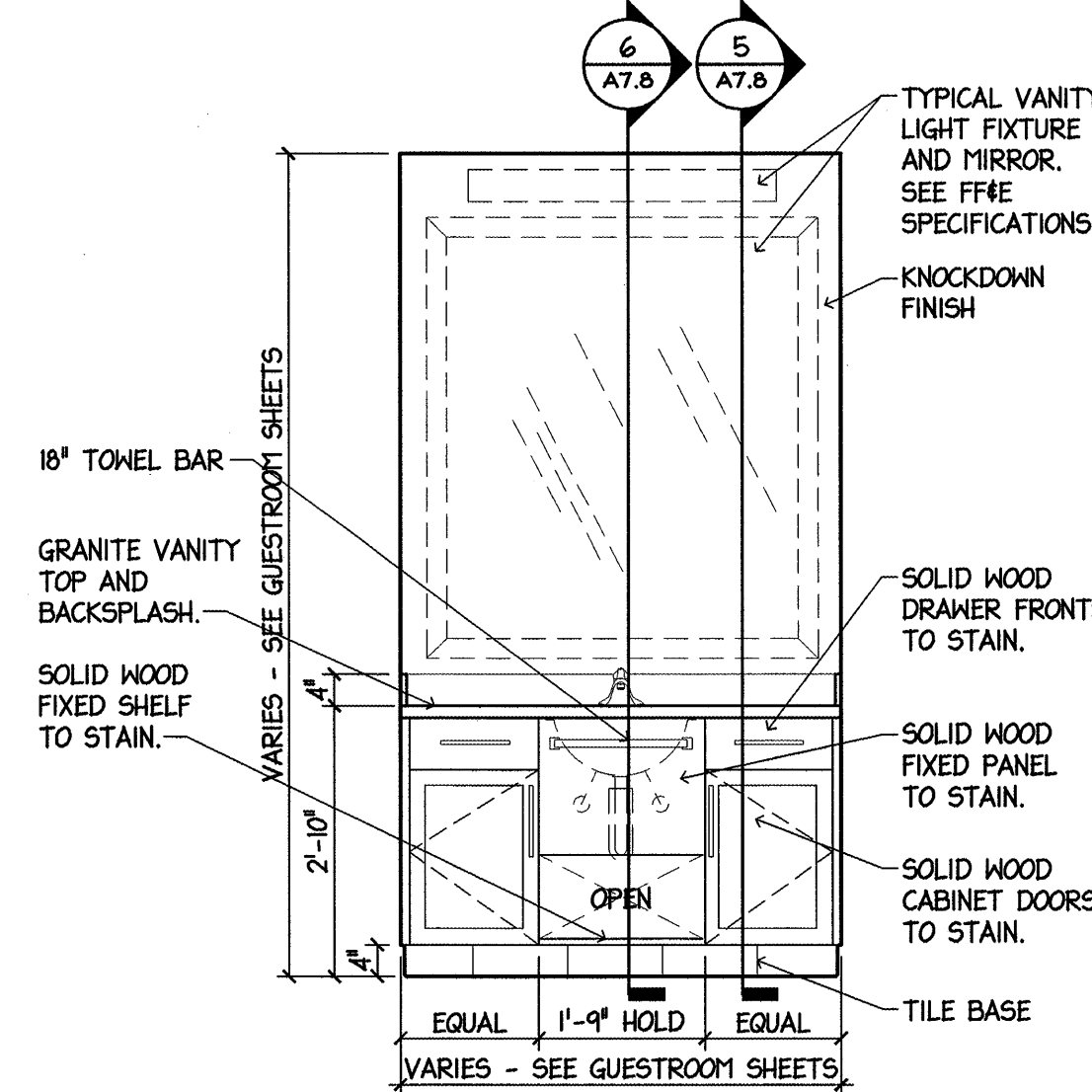


I TYPICAL WELCOME SHELF SECTION DETAIL
1-1/2" = 1'-0"

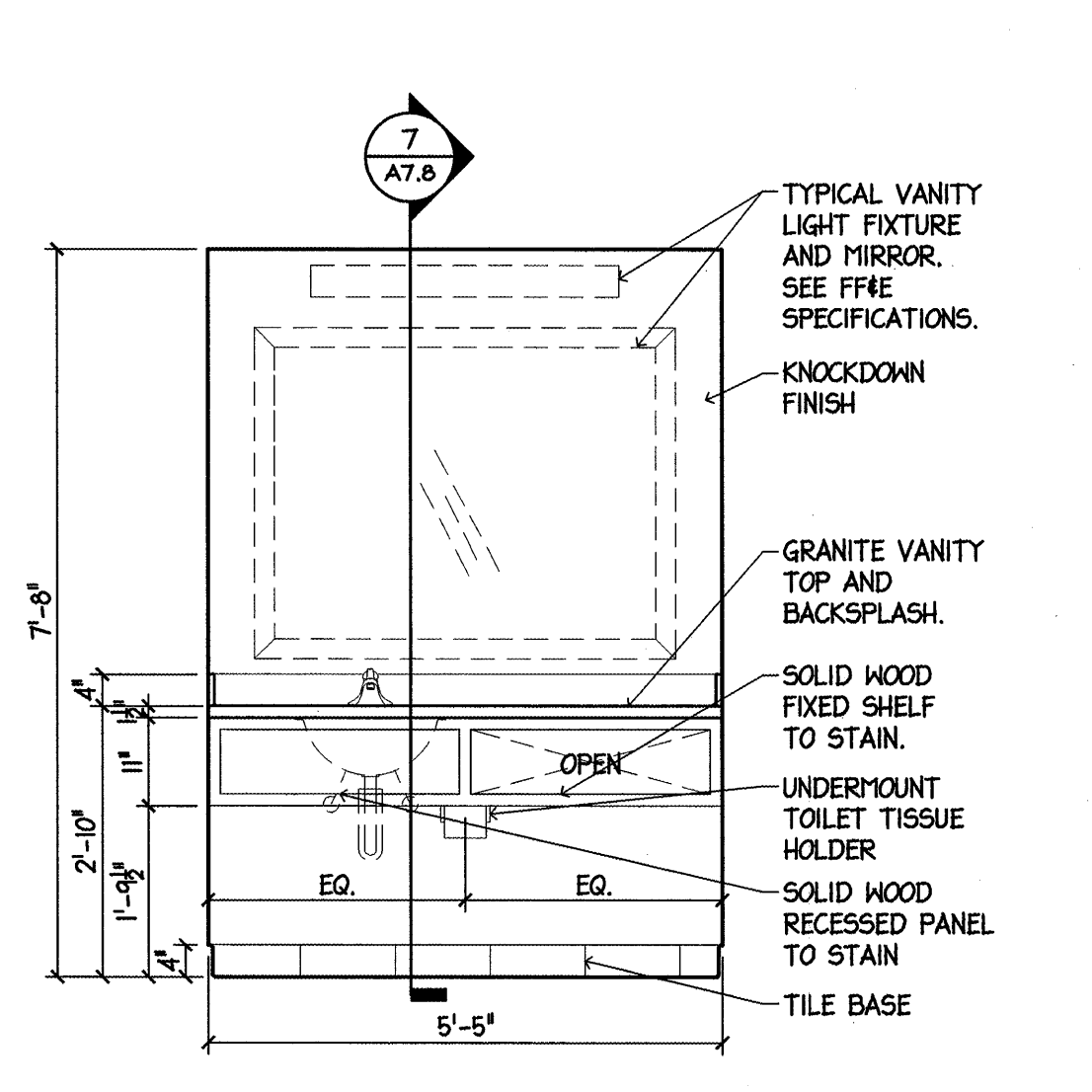
- DETAIL GENERAL NOTES:**
- DETAILS ARE SHOWN FOR STANDARD CONFIGURATION AND DIMENSIONS ONLY. REFER TO SPECIFICATIONS FOR CONSTRUCTION.
 - SET COOKTOPS WITH CONTROLS AWAY FROM REFRIGERATOR.
 - INSULATE ALL EXPOSED HOT WATER PIPES AND DRAIN LINES IN ACCESSIBLE UNITS ONLY.
 - ALL CLEAR DIMENSIONS TO BE VERIFIED WITH FIXTURE MANUFACTURER'S SPECIFICATIONS.
 - ALL HOLD DIMENSIONS TO BE VERIFIED WITH FFE SPECIFICATIONS.
 - VERIFY ALL INTERIOR FINISHES WITH INTERIOR FINISH SCHEDULE, SHEET A9.0.
 - VERIFY ALL FFE WITH INTERIOR DESIGNER'S SPECIFICATIONS.
 - FOR HARDWARE, SEE SCHEDULE SHEET XXX.
 - FOR FLOOR TRANSITION SPECIFICATIONS, SEE INTERIOR FINISH SCHEDULE SHEET A9.0.
 - G.C. TO COORDINATE FINAL SHAFT LOCATION AND SIZE AT CORNER OF KITCHENS. SUPPLY FILLER PANELS AS REQUIRED.
 - COUNTERTOP EDGE TO BE 3/8" ONLY AT ADA DISHWASHER LOCATIONS.



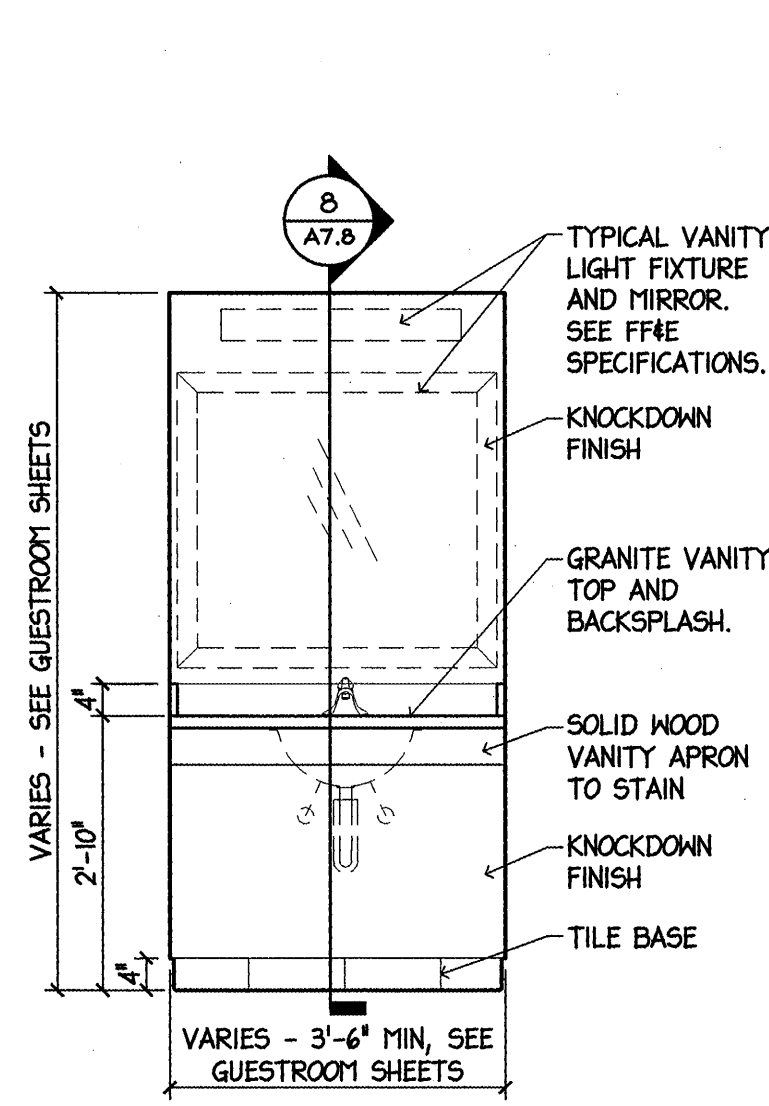
J FLOOR BASE TRANSITION DETAIL
1'-0" = 1'-0"



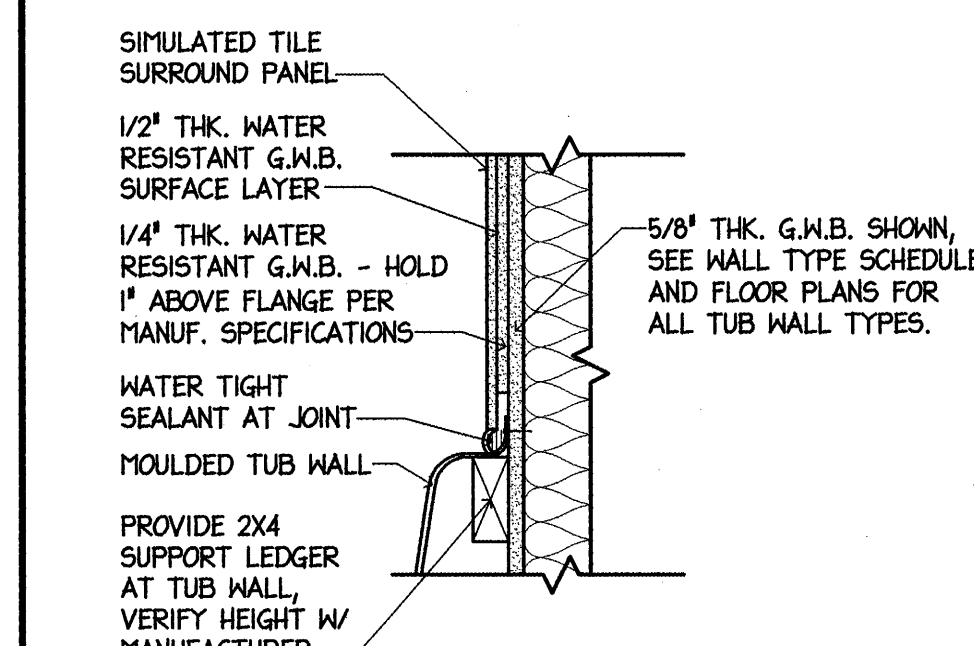
2 TYPICAL GUESTROOM VANITY
1/2" = 1'-0"



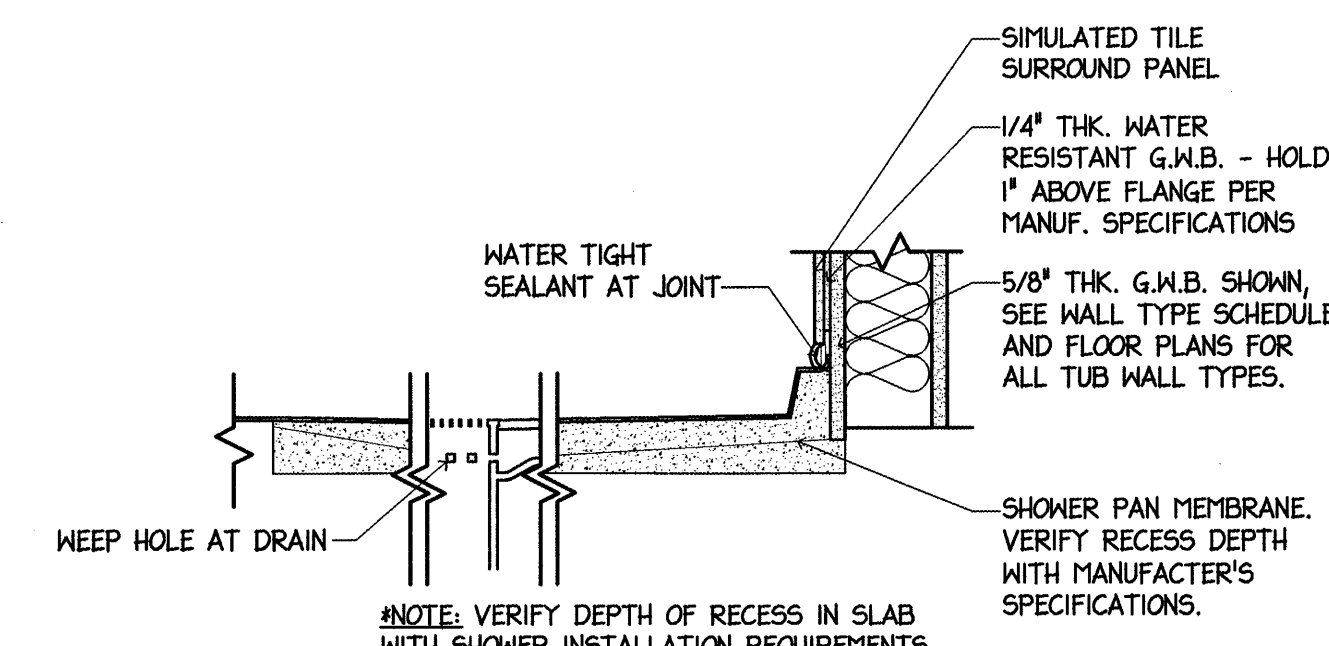
3 STUDIO 5 VANITY
1/2" = 1'-0"



4 ADA GUESTROOM VANITY
1/2" = 1'-0"



10 TUB SURROUND SECTION DETAIL
1-1/2" = 1'-0"

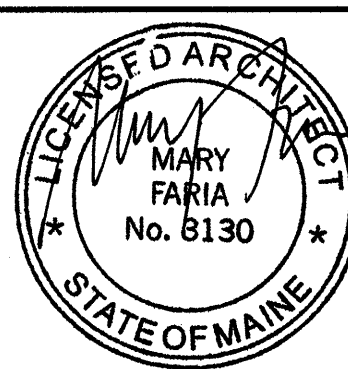


11 ROLL-IN SHOWER SECTION DETAIL
1-1/2" = 1'-0"

PERMIT ISSUE - 09/27/07

NO.	REVISION	DATE

SCALE: As Noted
DATE: DRAWN BY: ES
CHECKED BY: JR



PROJECT

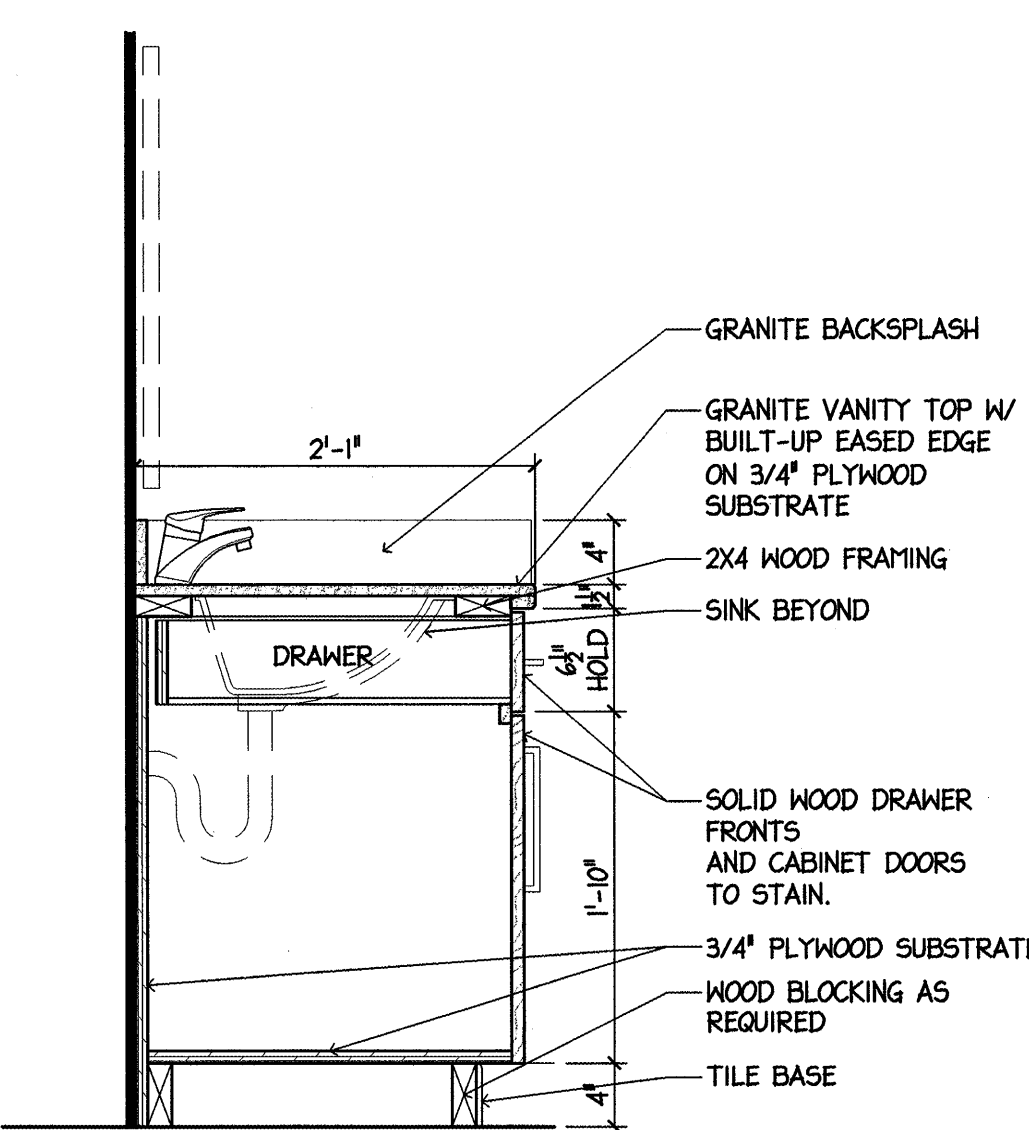
RESIDENCE INN BY MARRIOTT
PORTLAND, ME
JOB# 802

TITLE
GUESTROOM DETAILS

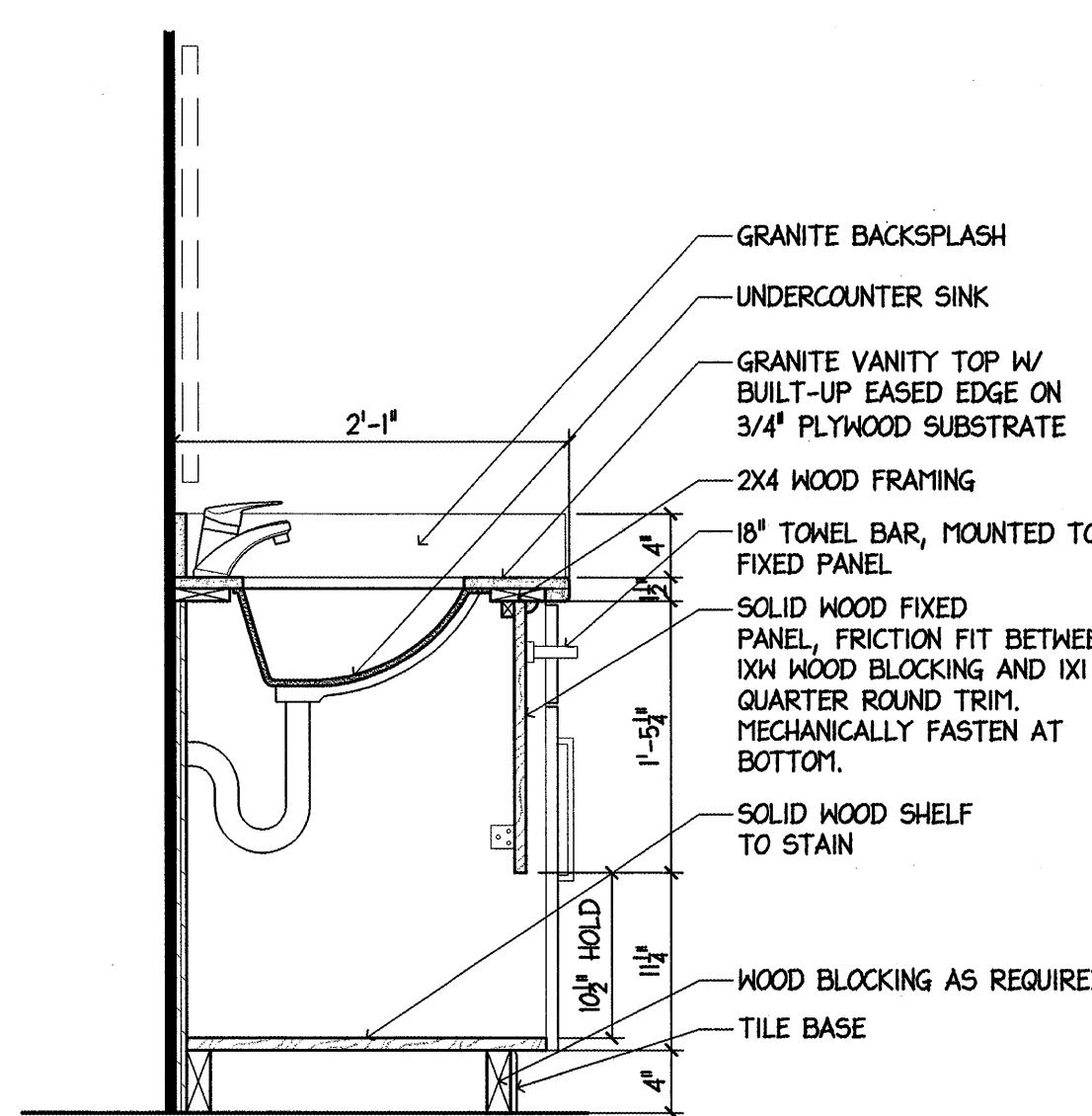
GROUP ONE
21 W. THIRD STREET, BOSTON, MA 02127
TEL. (617)268-7000 FAX: (617)268-0209

DRAWING NO.

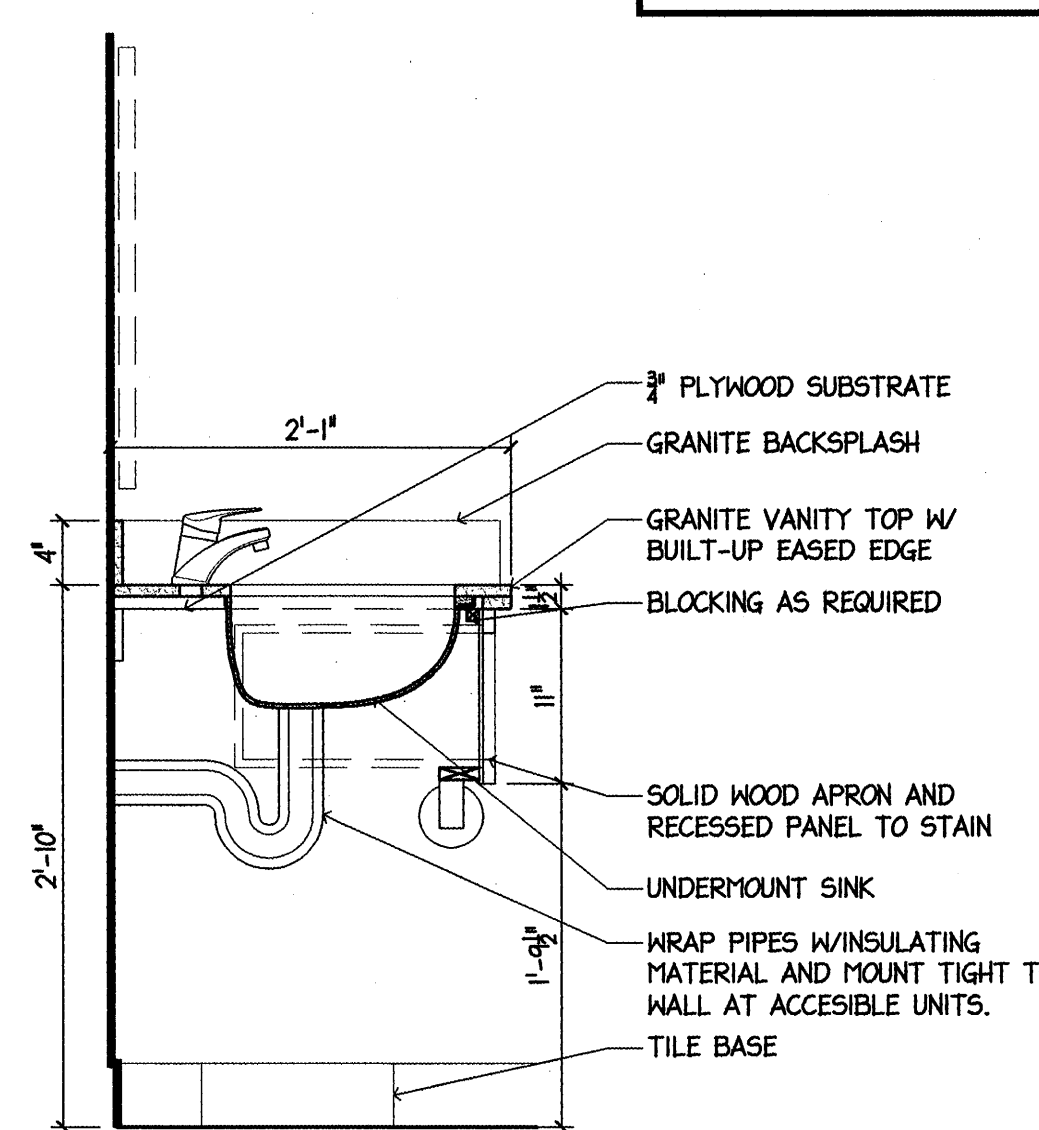
A7.8



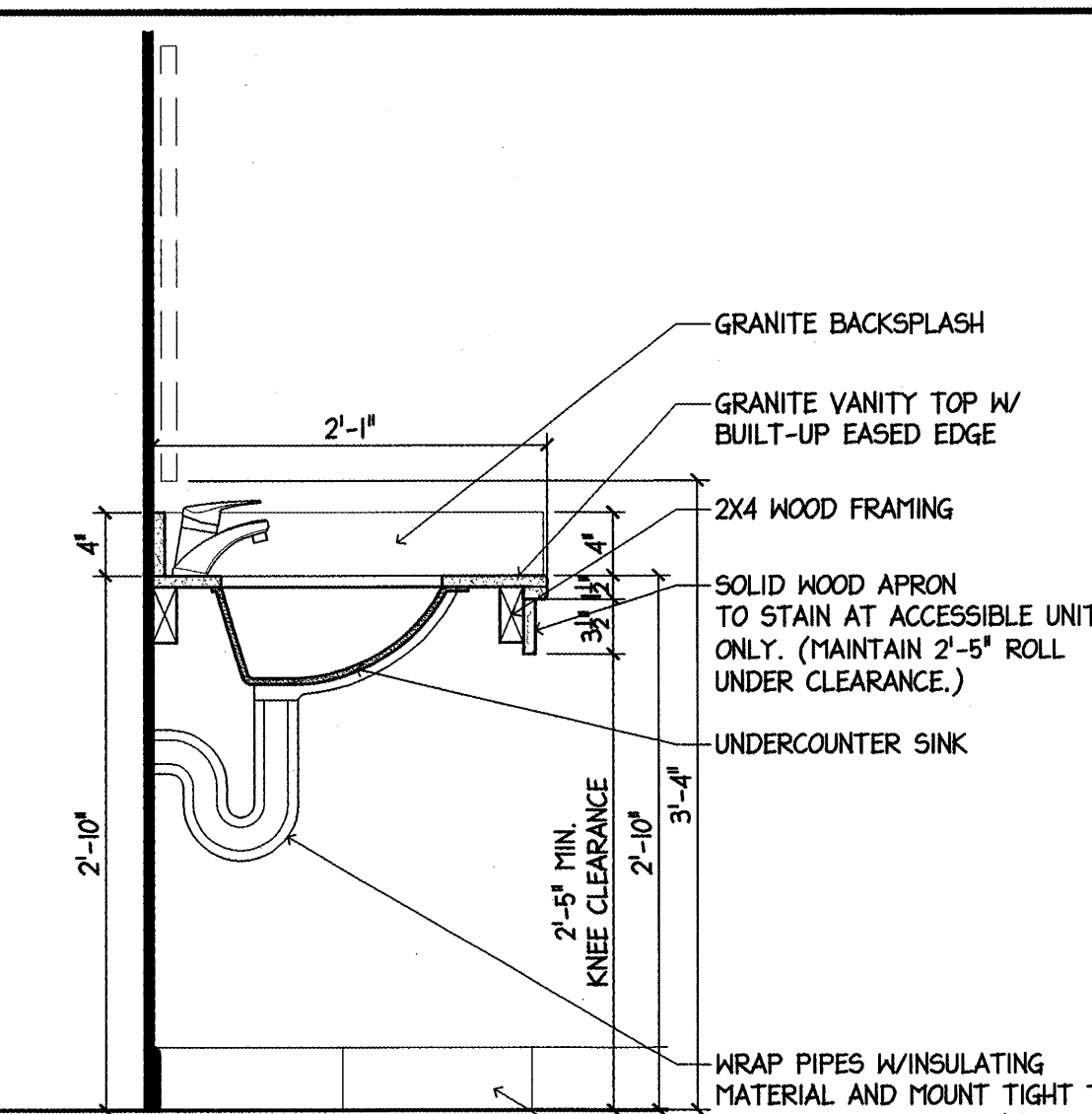
5 TYPICAL VANITY SECTION AT DRAWERS
1/2" = 1'-0"



6 TYPICAL VANITY SECTION AT SINK
1/2" = 1'-0"



7 TYPICAL VANITY SECTION AT SINK
1/2" = 1'-0"



8 ADA VANITY SECTION AT SINK
1/2" = 1'-0"