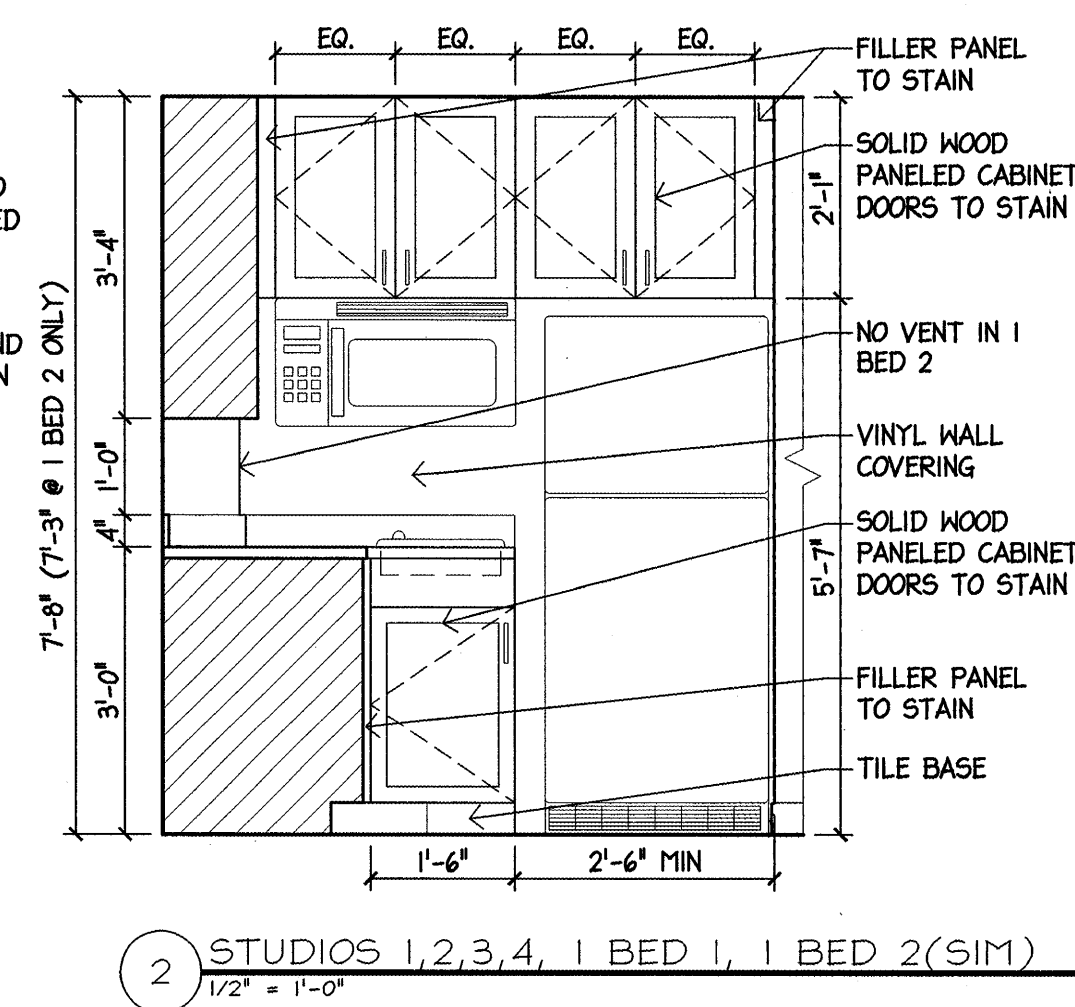
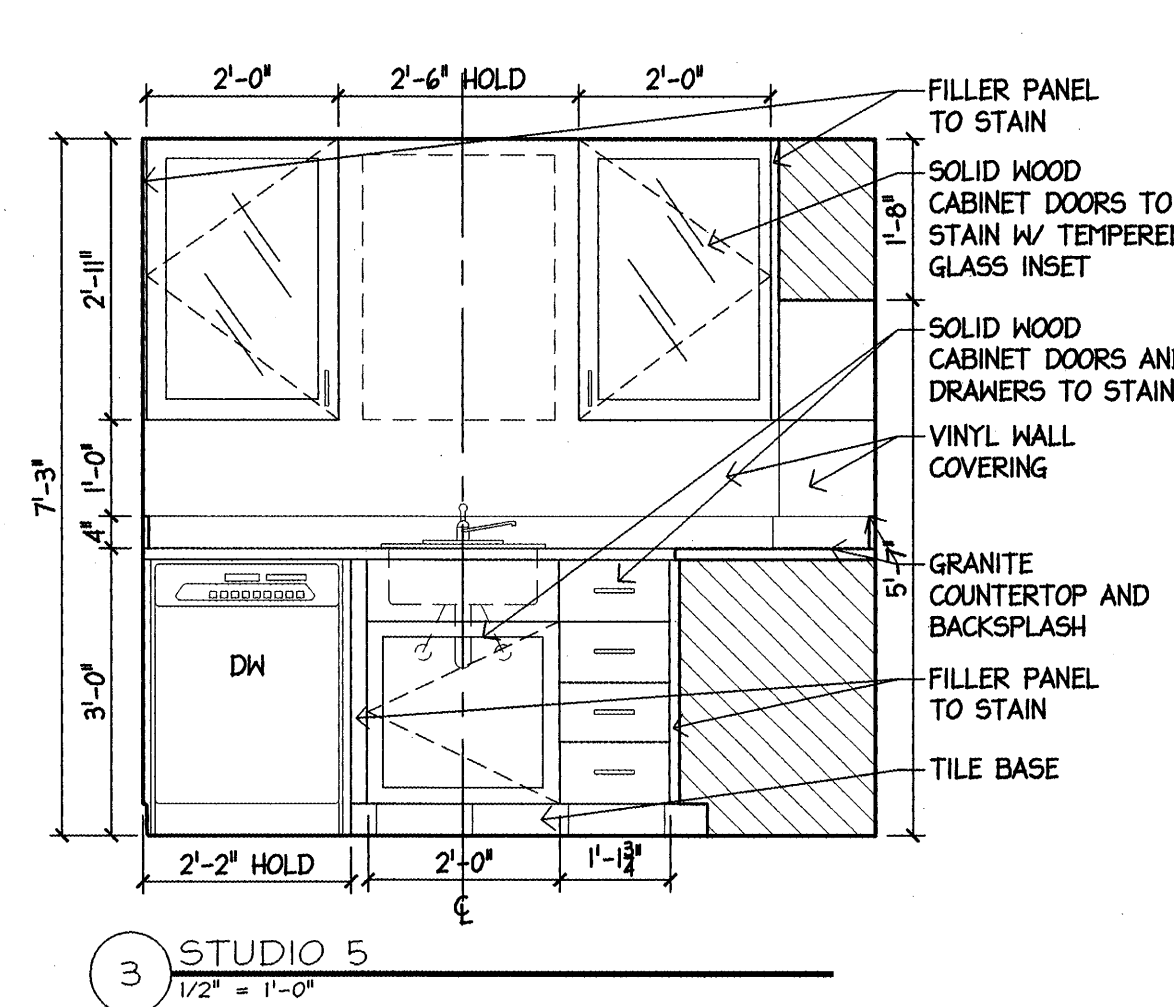


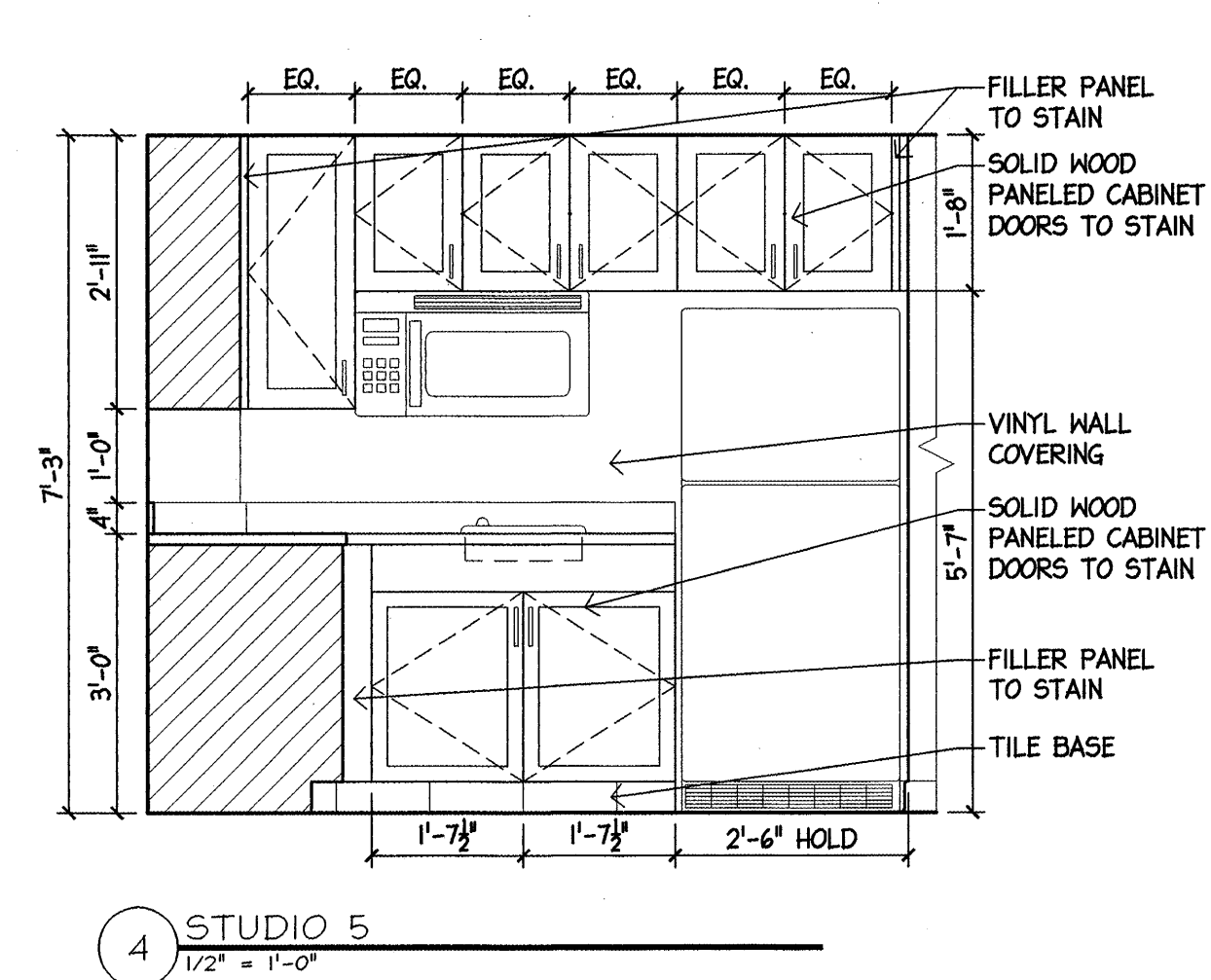
1 STUDIOS 1,2,3,4
1/2" = 1'-0"



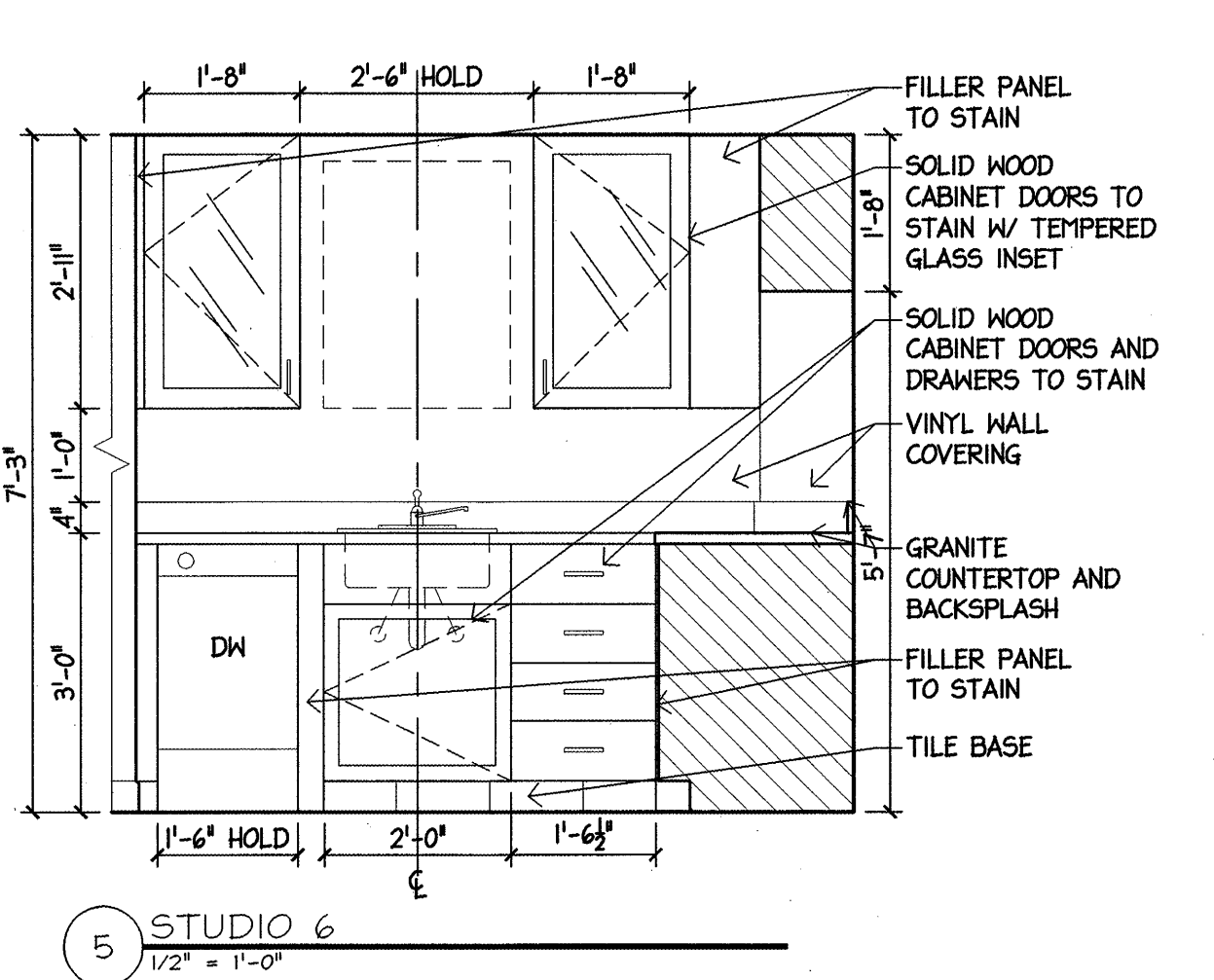
2 STUDIOS 1,2,3,4, 1 BED 1, 1 BED 2 (SIM)
1/2" = 1'-0"



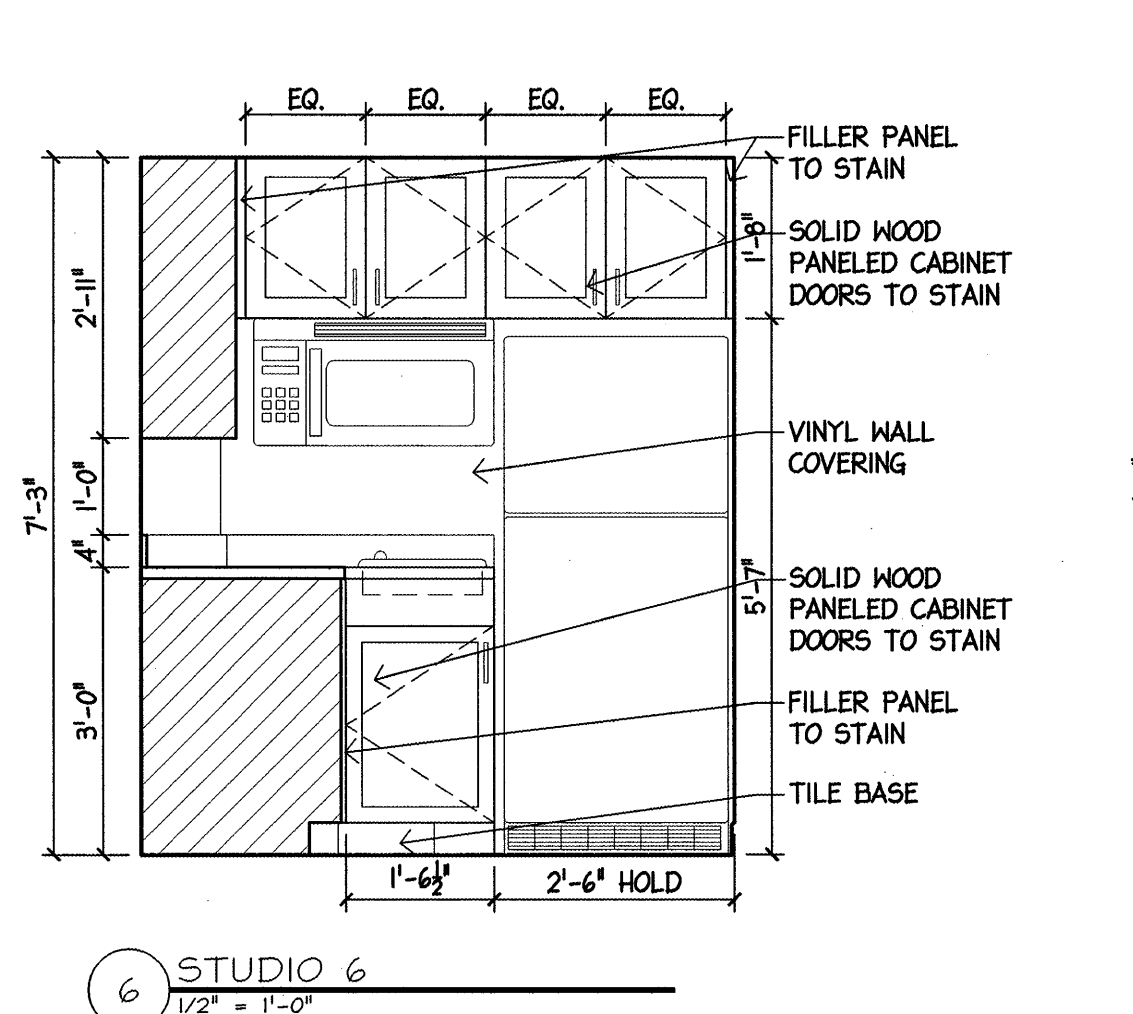
3 STUDIO 5
1/2" = 1'-0"



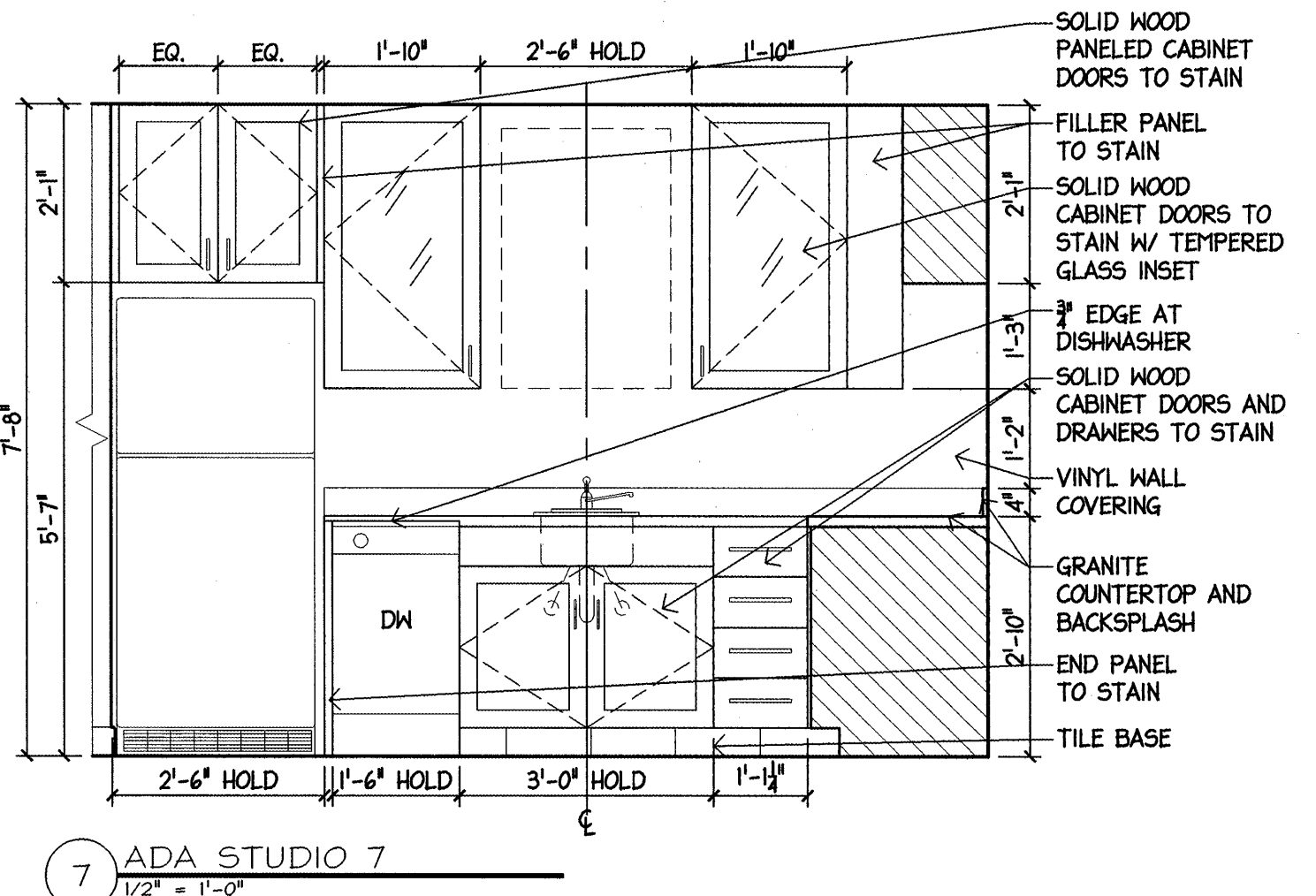
4 STUDIO 5
1/2" = 1'-0"



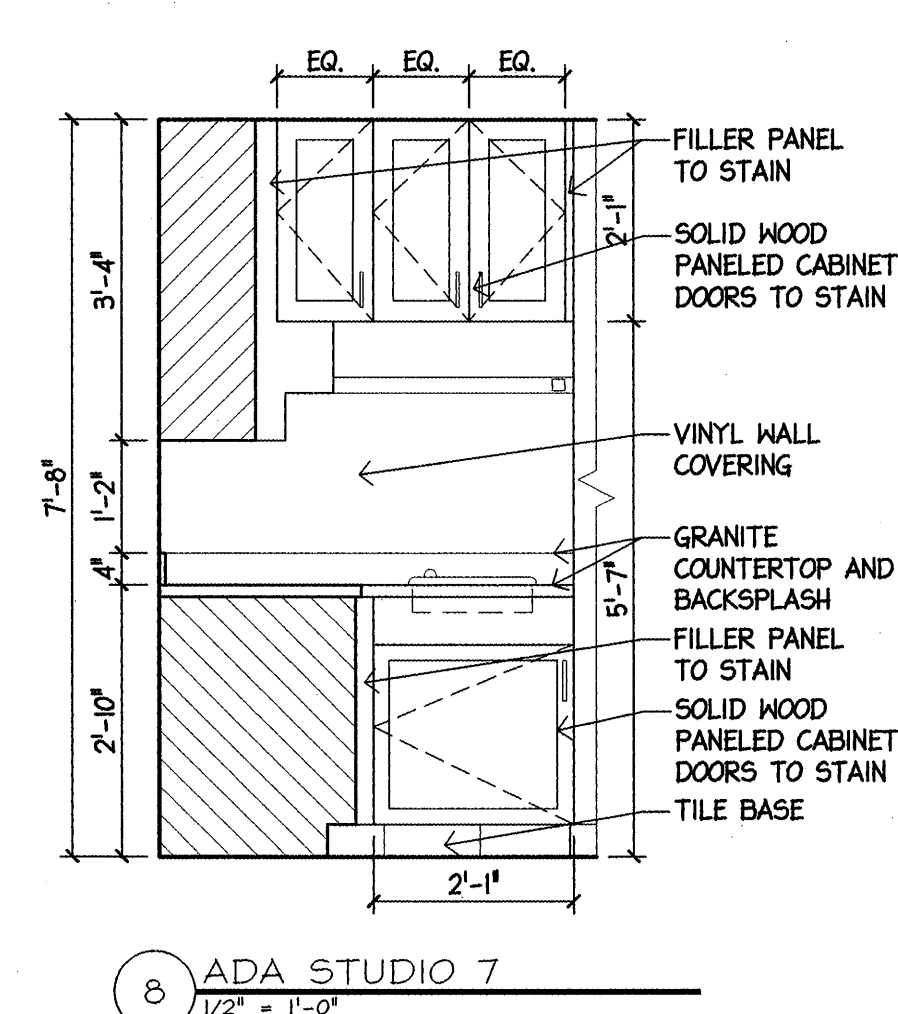
5 STUDIO 6
1/2" = 1'-0"



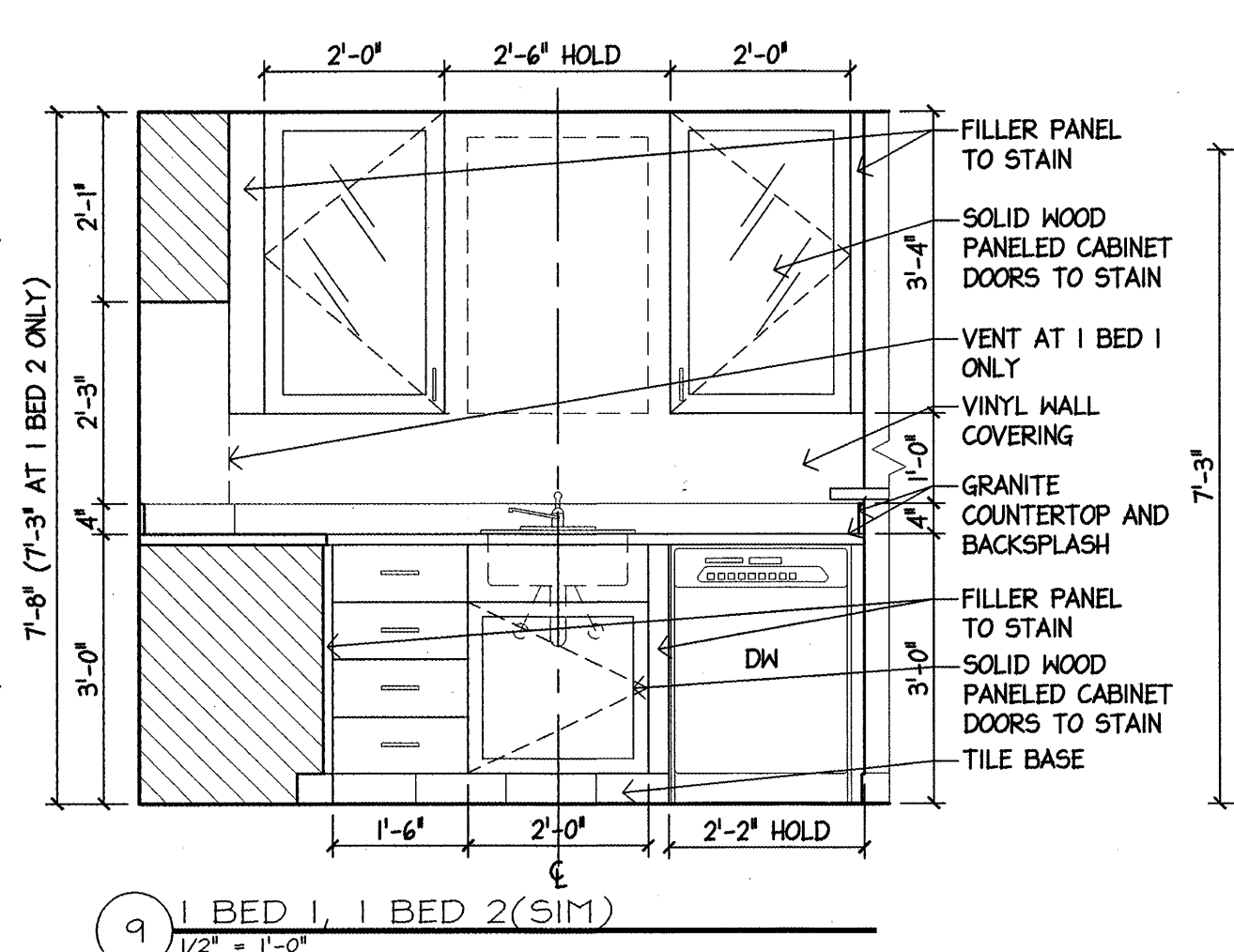
6 STUDIO 6
1/2" = 1'-0"



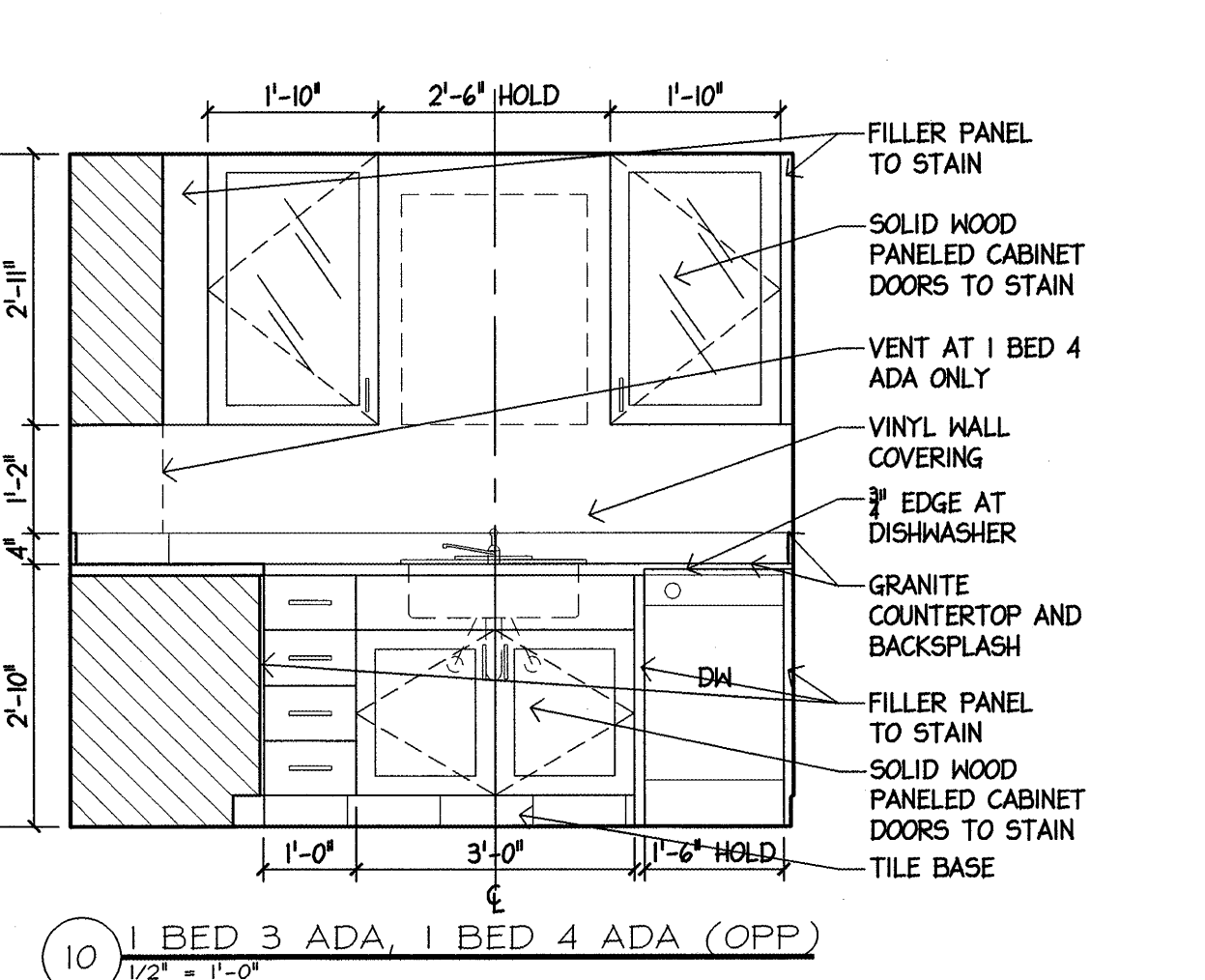
7 ADA STUDIO 7
1/2" = 1'-0"



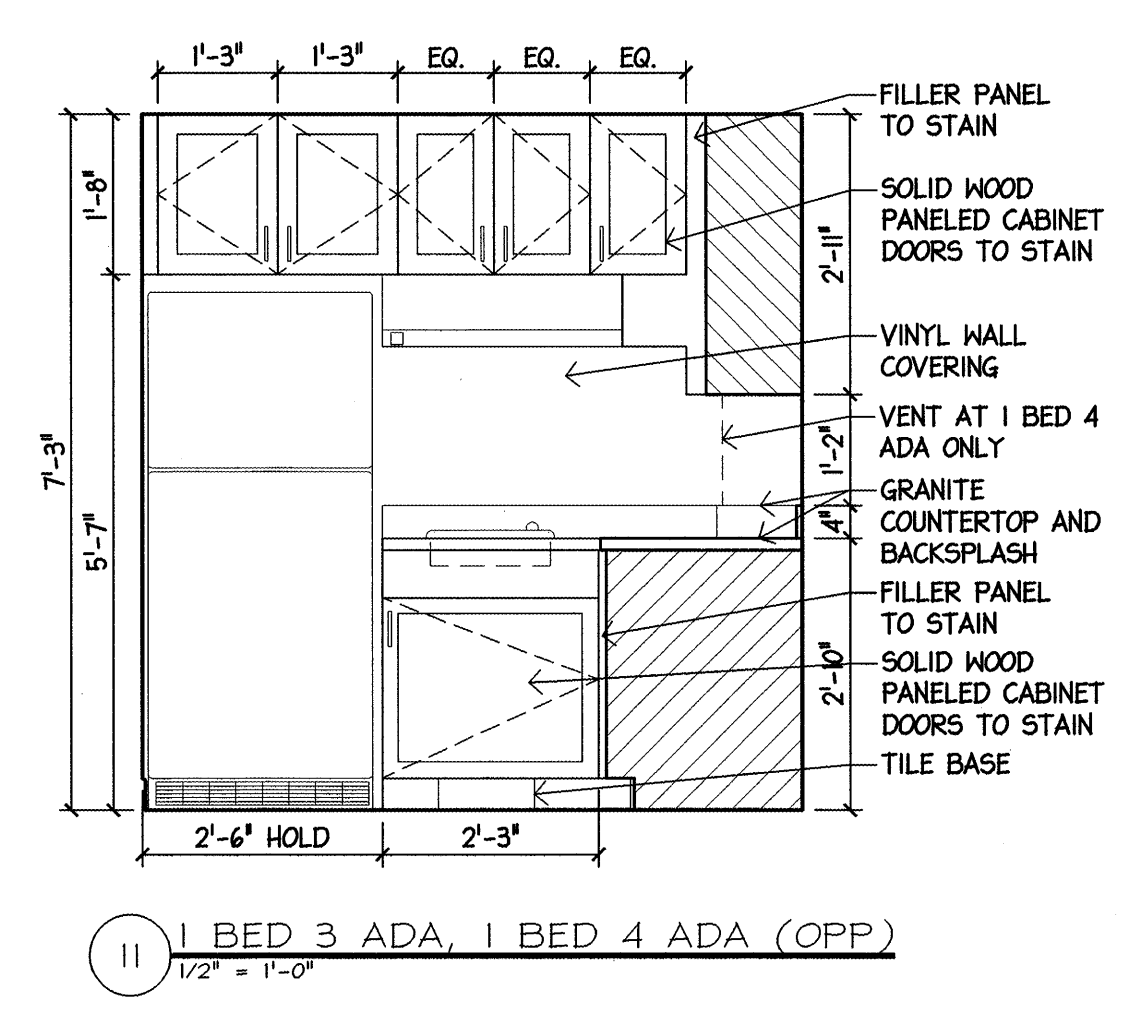
8 ADA STUDIO 7
1/2" = 1'-0"



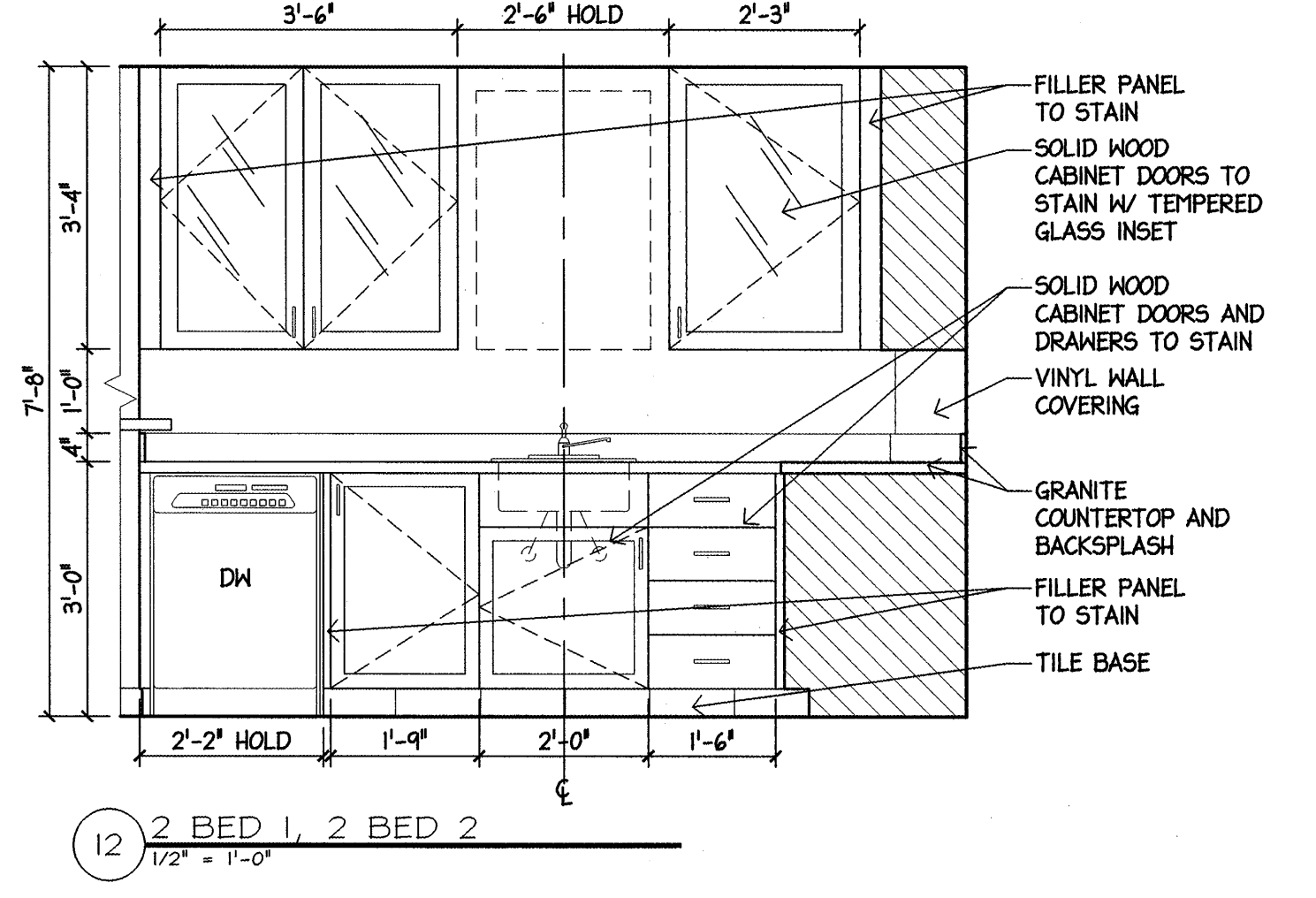
9 1 BED 1, 1 BED 2 (SIM)
1/2" = 1'-0"



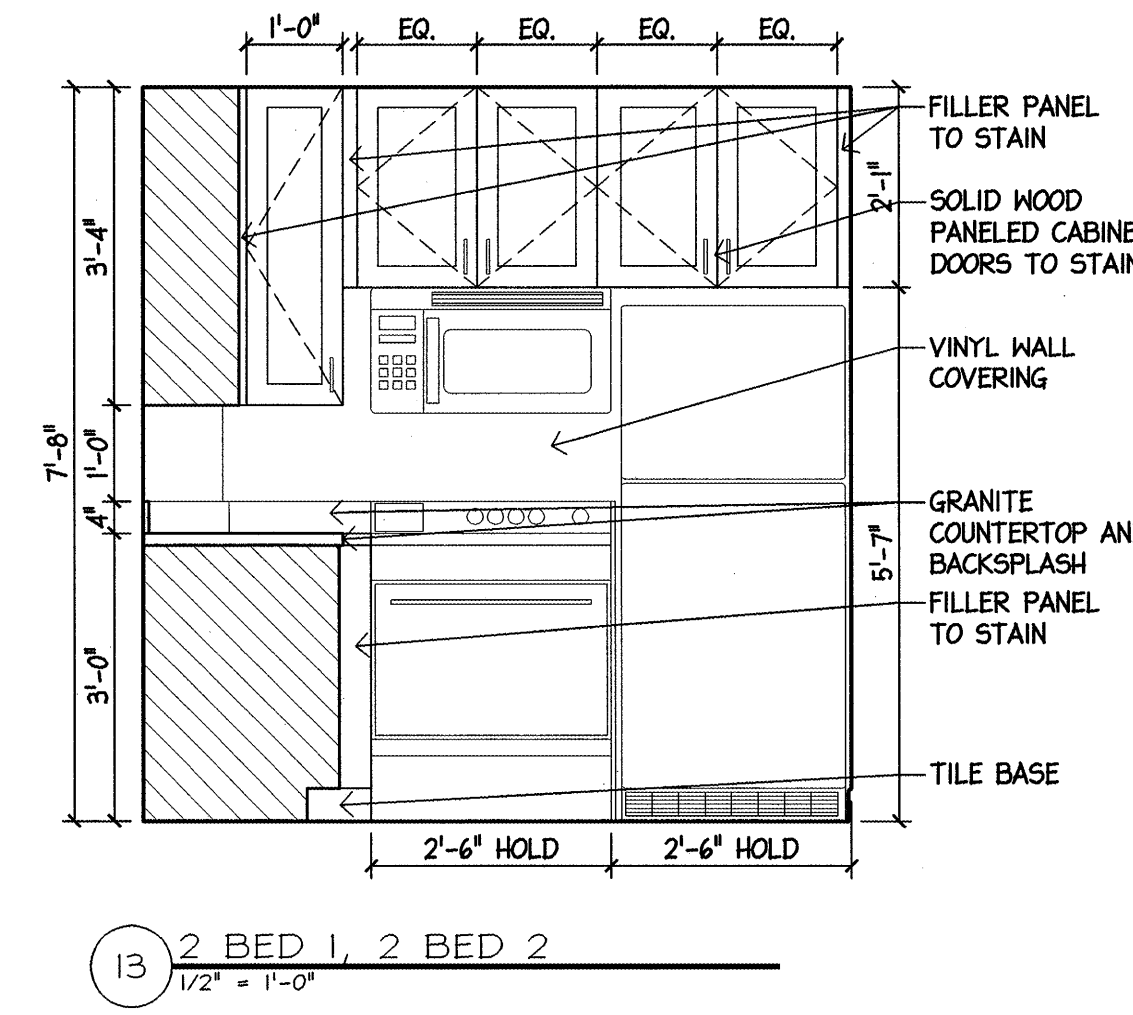
10 1 BED 3 ADA, 1 BED 4 ADA (OPP)
1/2" = 1'-0"



11 1 BED 3 ADA, 1 BED 4 ADA (OPP)
1/2" = 1'-0"

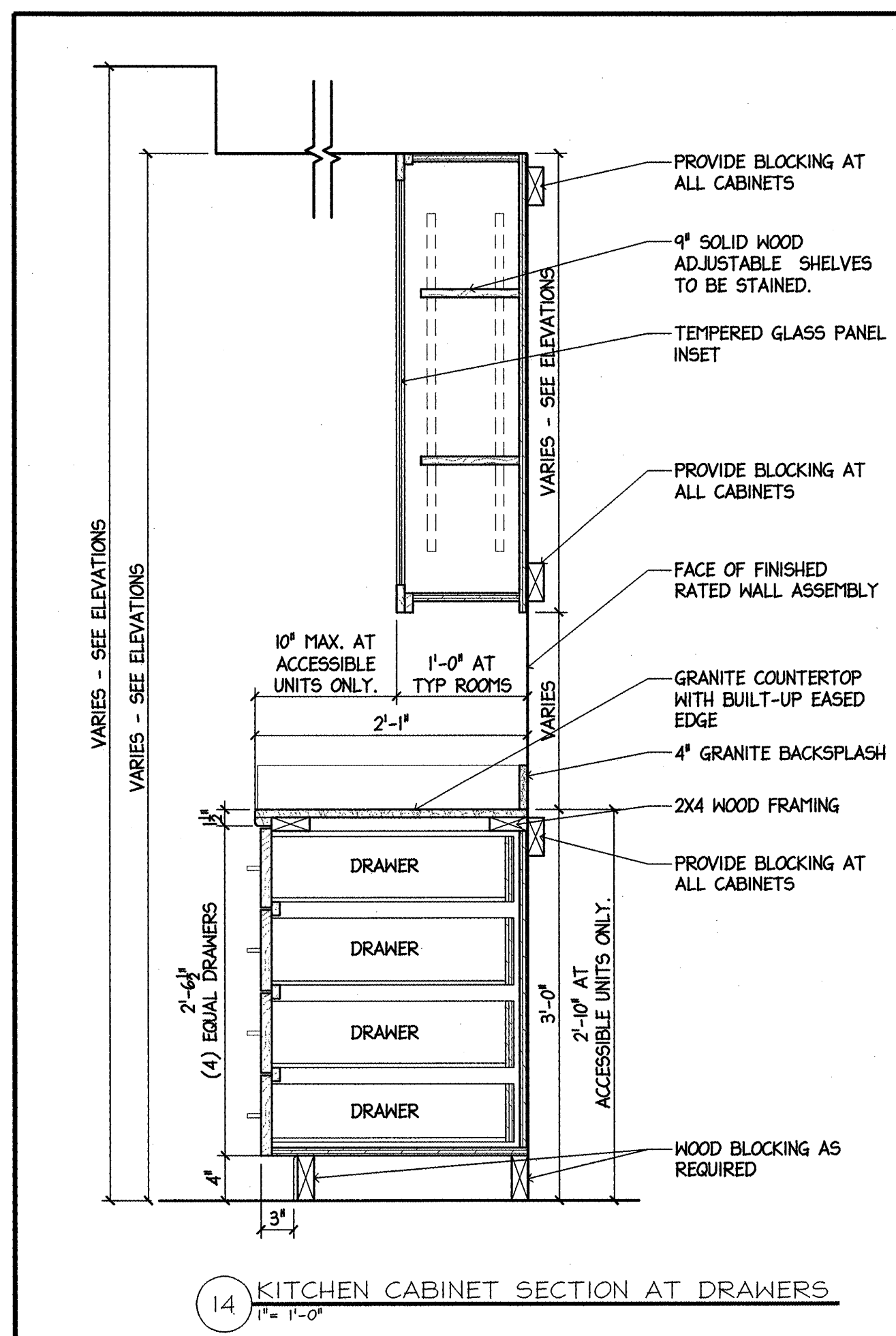


12 2 BED 1, 2 BED 2
1/2" = 1'-0"

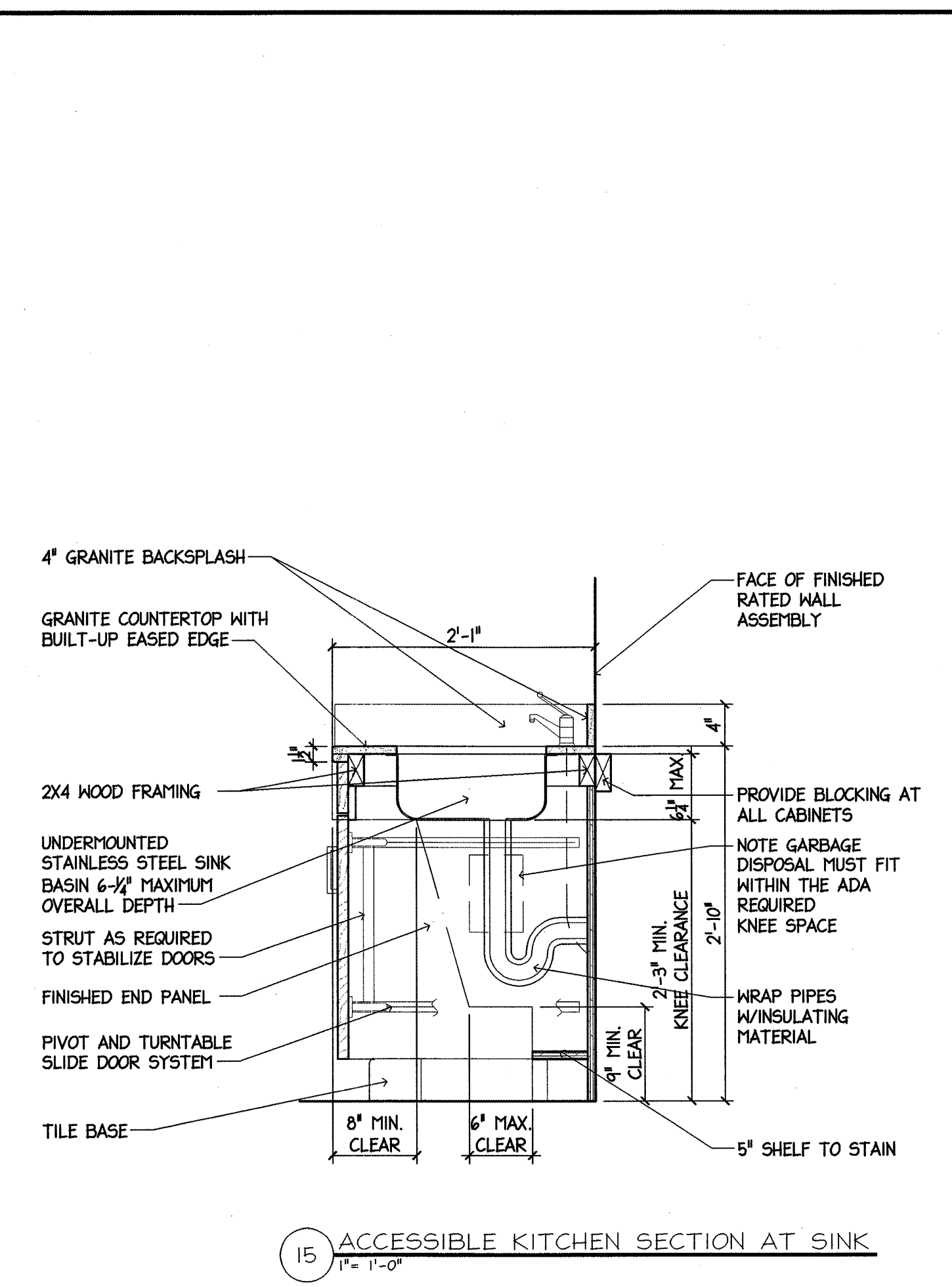


13 2 BED 1, 2 BED 2
1/2" = 1'-0"

- DETAIL GENERAL NOTES:**
- DETAILS ARE SHOWN FOR STANDARD CONFIGURATION AND DIMENSIONS ONLY. REFER TO SPECIFICATIONS FOR CONSTRUCTION.
 - SET COOKTOPS WITH CONTROLS AWAY FROM REFRIGERATOR.
 - INSULATE ALL EXPOSED HOT WATER PIPES AND DRAIN LINES IN ACCESSIBLE UNITS ONLY.
 - ALL CLEAR DIMENSIONS TO BE VERIFIED WITH FIXTURE MANUFACTURER'S SPECIFICATIONS.
 - ALL HOLD DIMENSIONS TO BE VERIFIED WITH FFIE SPECIFICATIONS.
 - VERIFY ALL INTERIOR FINISHES WITH INTERIOR FINISH SCHEDULE, SHEET A9.0.
 - VERIFY ALL FFIE WITH INTERIOR DESIGNER'S SPECIFICATIONS.
 - FOR HARDWARE, SEE SCHEDULE SHEET X.XX.
 - FOR FLOOR TRANSITION SPECIFICATIONS, SEE INTERIOR FINISH SCHEDULE SHEET A9.0.
 - G.C. TO COORDINATE FINAL SHAFT LOCATION AND SIZE AT CORNER OF KITCHENS. SUPPLY FILLER PANELS AS REQUIRED.
 - COUNTERTOP EDGE TO BE 3/8" ONLY AT ADA DISHWASHER LOCATIONS.



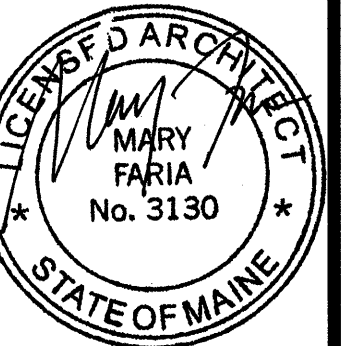
14 KITCHEN CABINET SECTION AT DRAWERS
1" = 1'-0"



15 ACCESSIBLE KITCHEN SECTION AT SINK
1" = 1'-0"

PERMIT ISSUE - 09/27/07

NO.	REVISION	DATE
SCALE: As Noted		DRAWN BY: ES
DATE:		CHECKED BY: JR



PROJECT

RESIDENCE INN BY MARRIOTT

PORTLAND, ME

JOB# 802

TITLE

GUESTROOM DETAILS

GROUP ONE
21 W. THIRD STREET, BOSTON, MA 02127
TEL: (617)268-7000 FAX: (617)268-0209

DRAWING NO.
A7.7