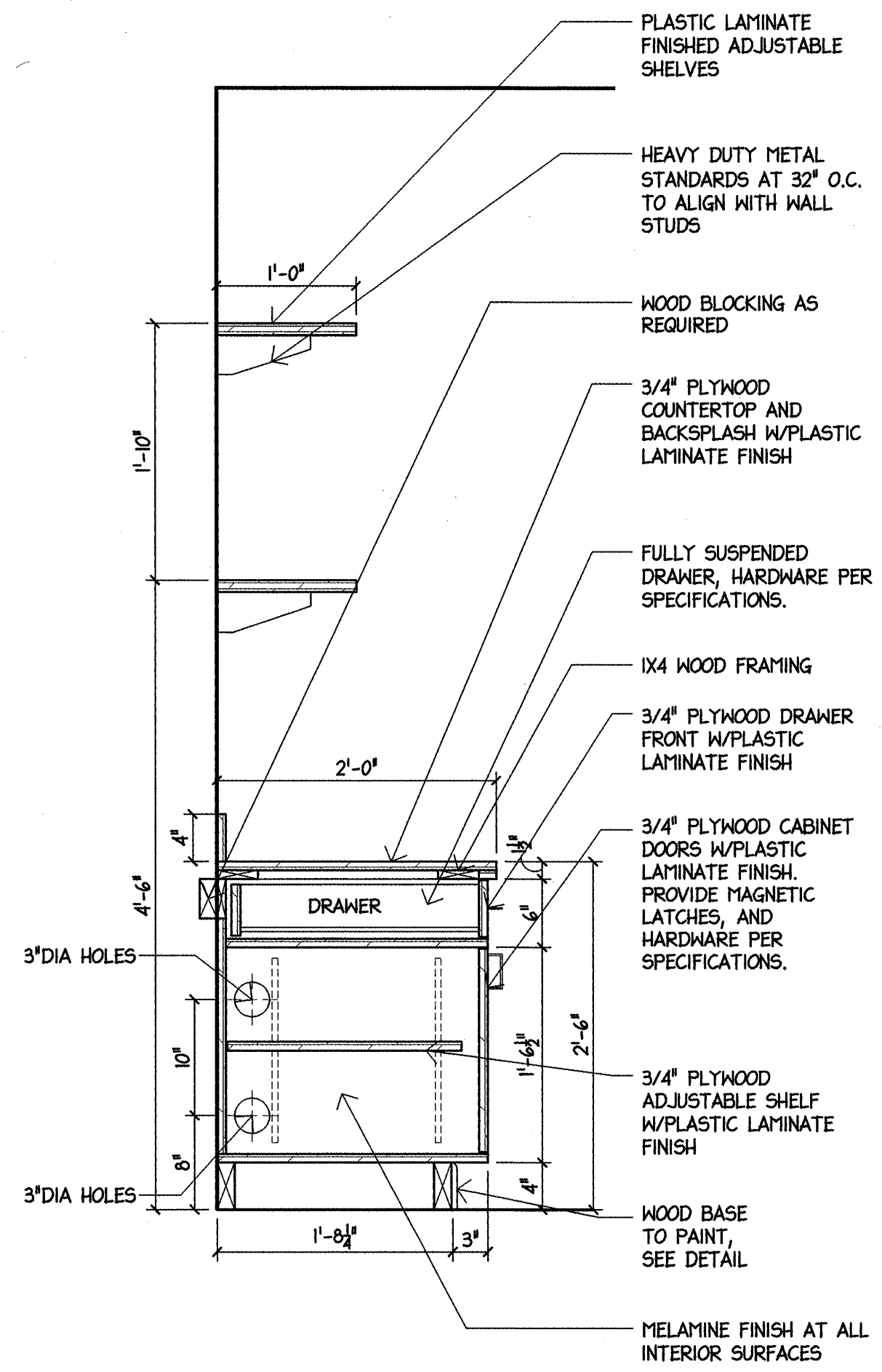
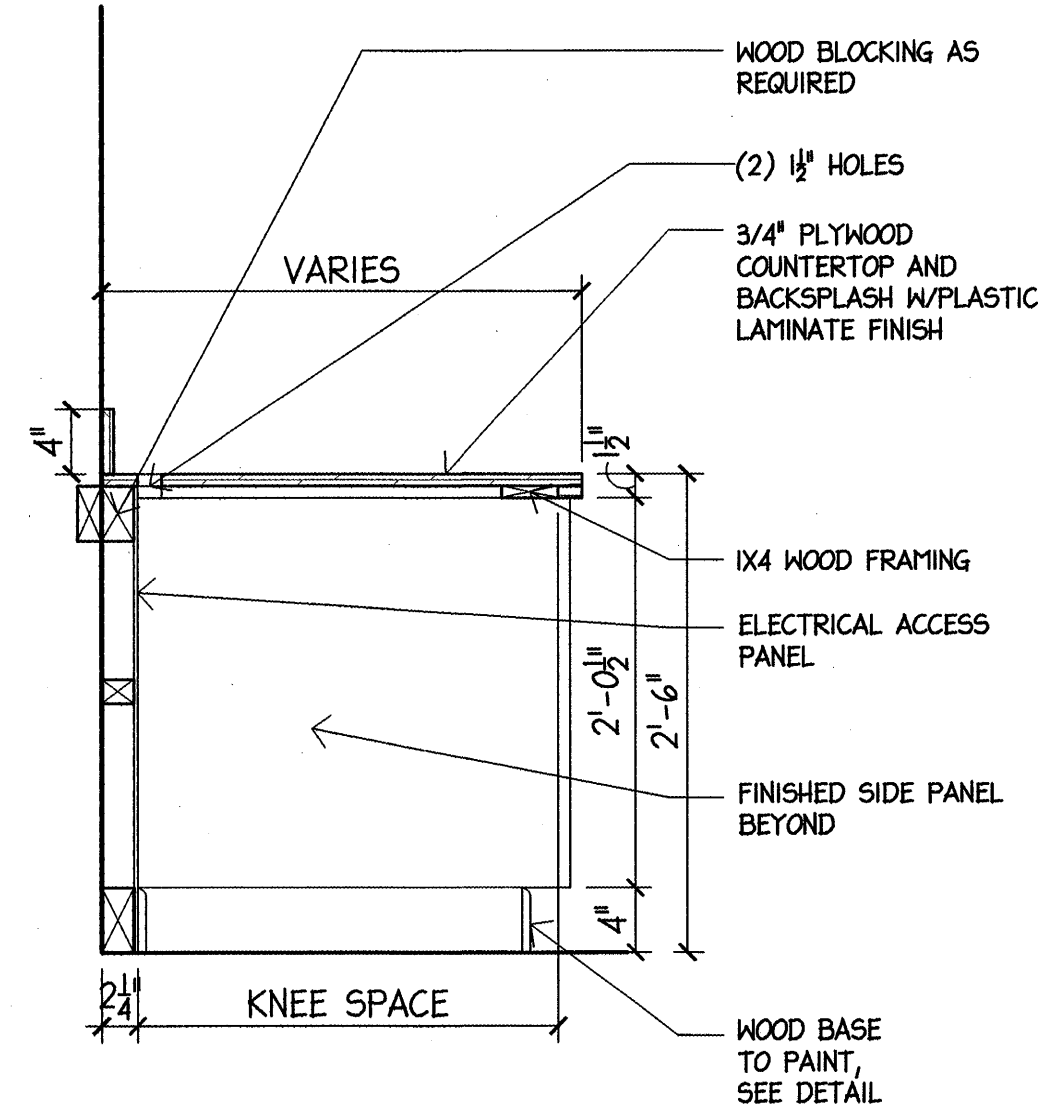


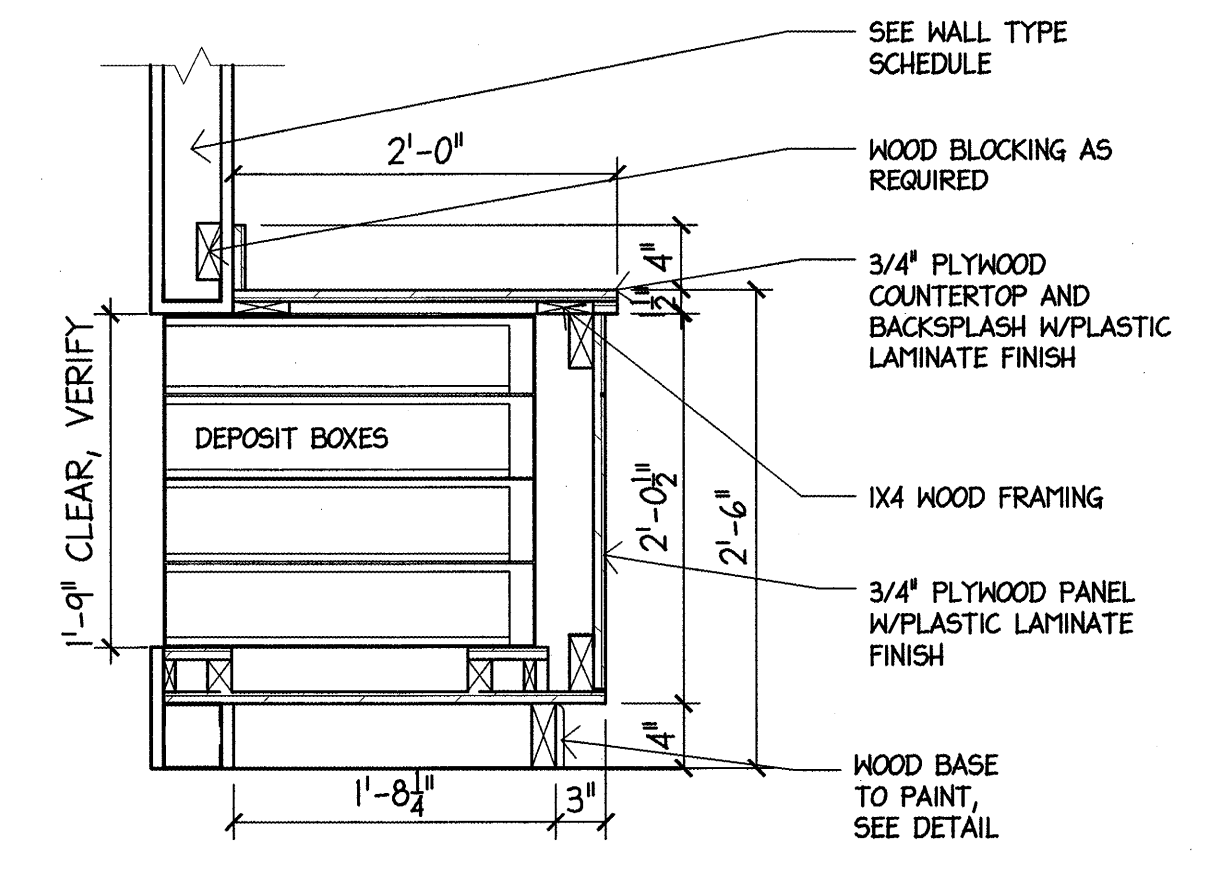
A PLAN - WORK ROOM
1/2" = 1'-0"



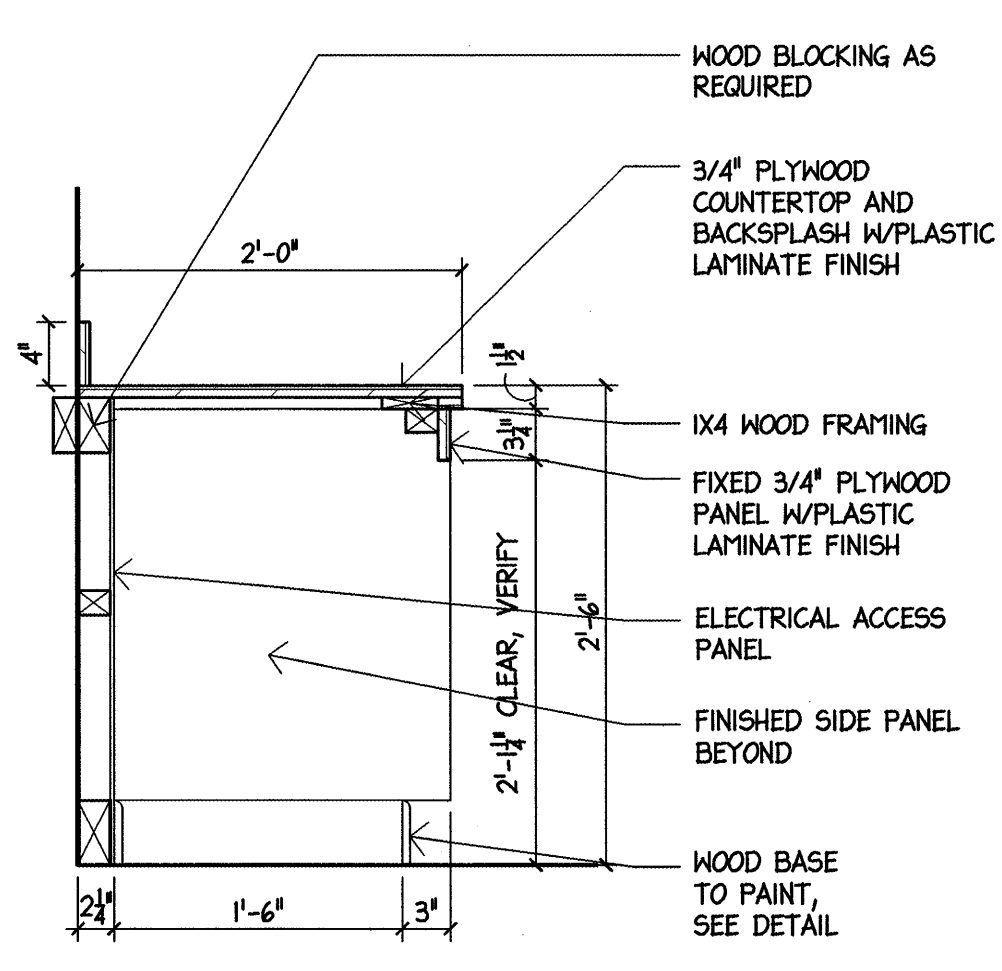
1 SECT - WORK ROOM
1" = 1'-0"



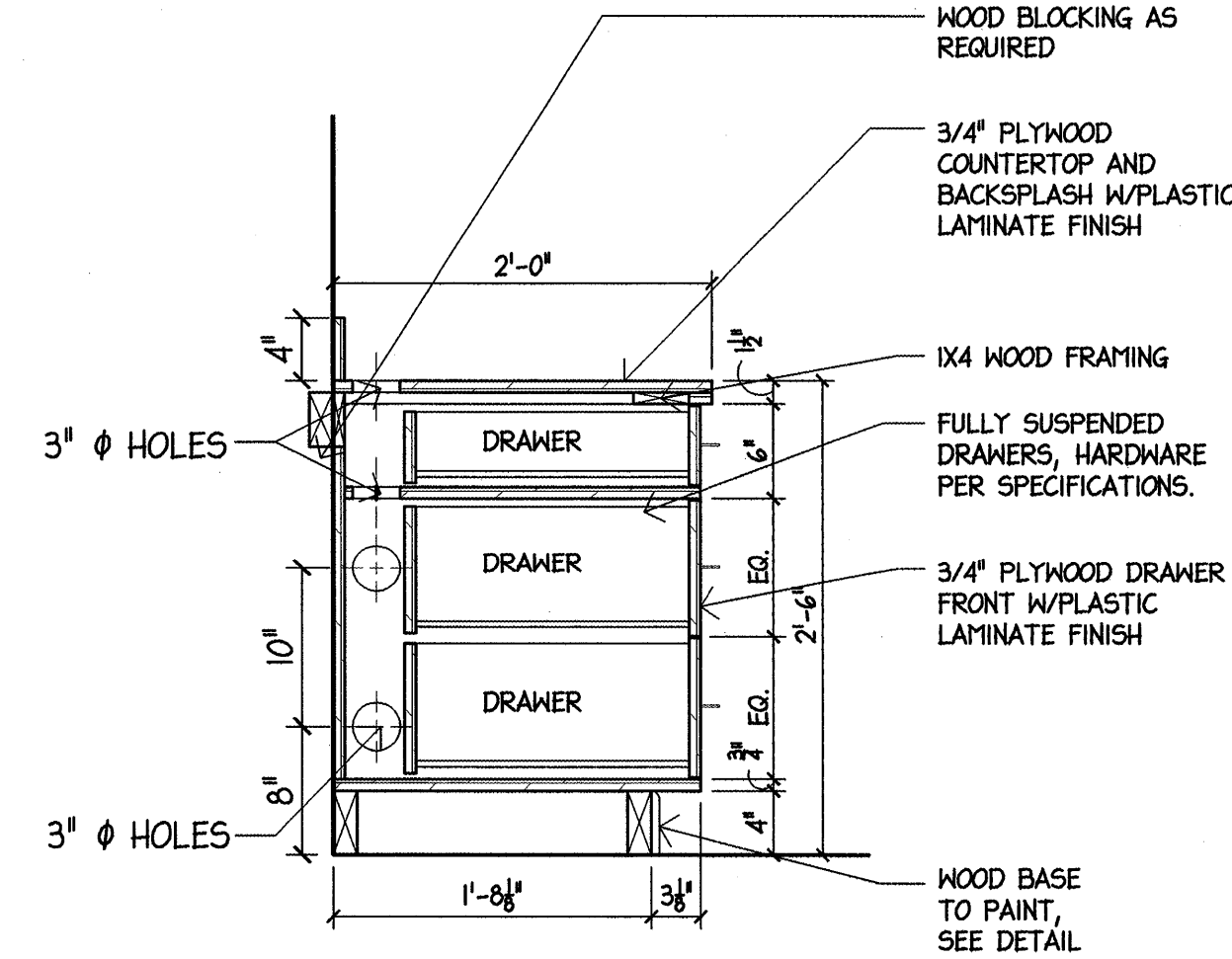
2 SECT - WORK ROOM
1" = 1'-0"



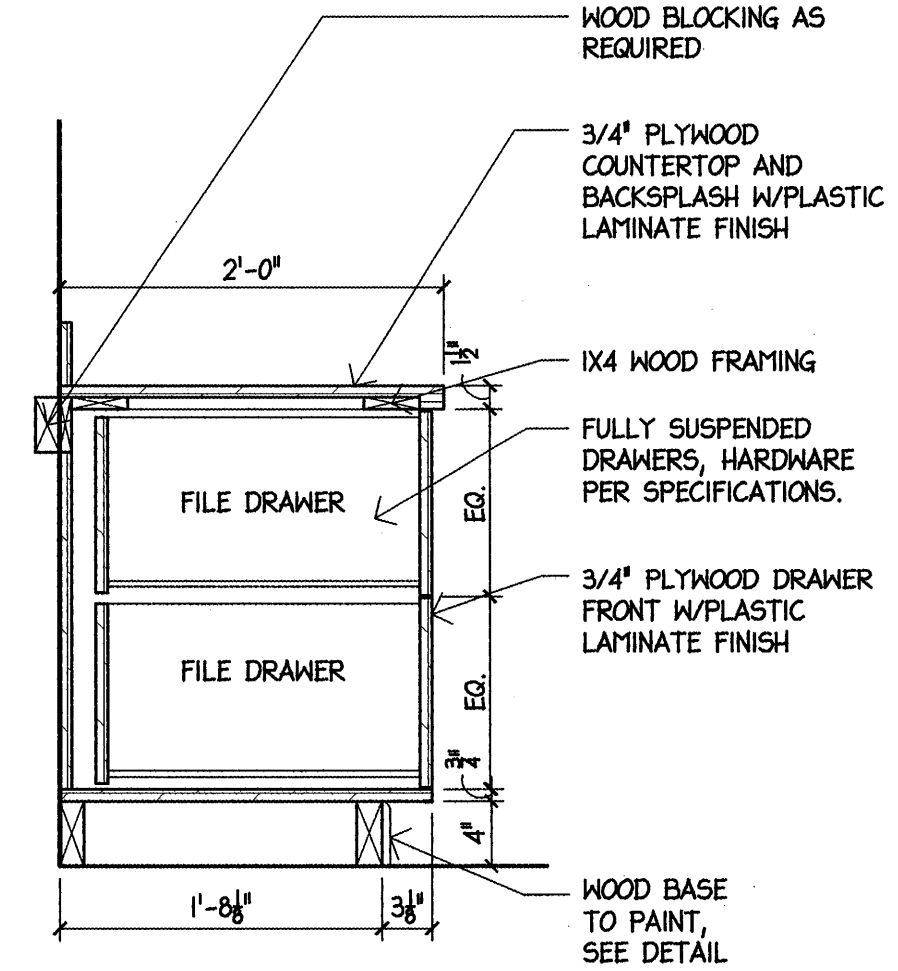
3 SECT - WORK ROOM @ SAFETY DEPOSIT BOXES
1" = 1'-0"



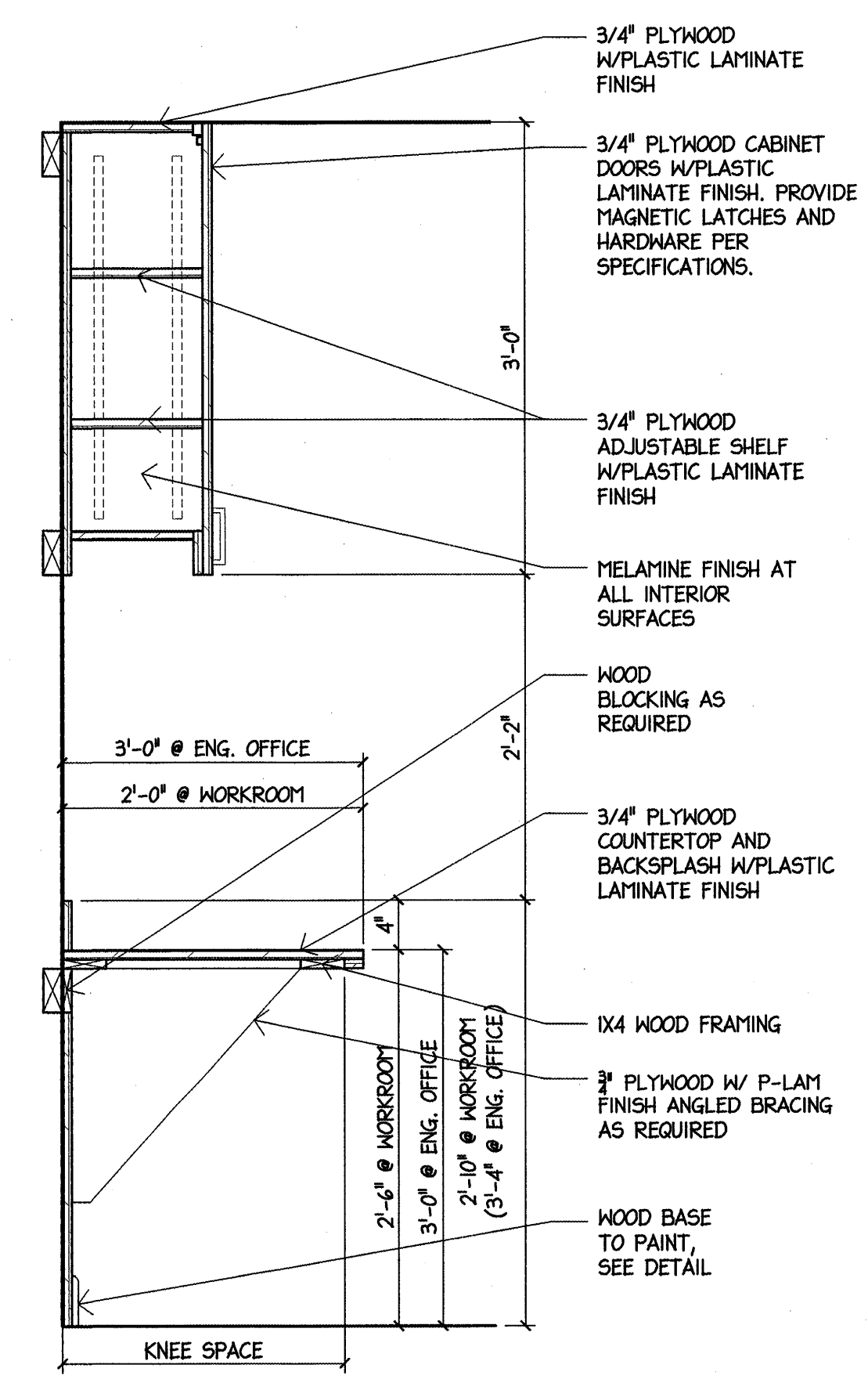
4 SECT - WORK ROOM @ DEPOSIT SAFE
1" = 1'-0"



5 SECT - WORK ROOM
1" = 1'-0"



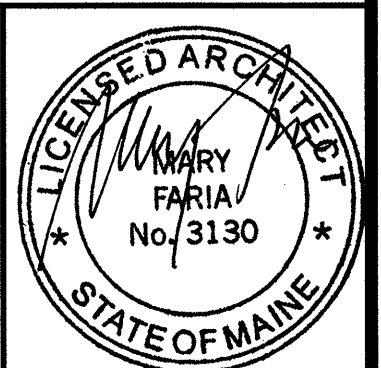
6 SECT - WORK ROOM
1" = 1'-0"



7 SECT - WORK ROOM/ENGINEERING OFFICE
1" = 1'-0"

PERMIT ISSUE - 09/27/07

NO.	REVISION	DATE
SCALE: As Noted		DRAWN BY: ES
DATE:		CHECKED BY: JR



PROJECT
RESIDENCE INN BY MARRIOTT
PORTLAND, ME
JOB# 802
TITLE
PUBLIC SPACE DETAILS

GROUP ONE
21 W. THIRD STREET, BOSTON, MA 02127
TEL: (617)268-7000 FAX: (617)268-0209

DRAWING NO.
A7.6