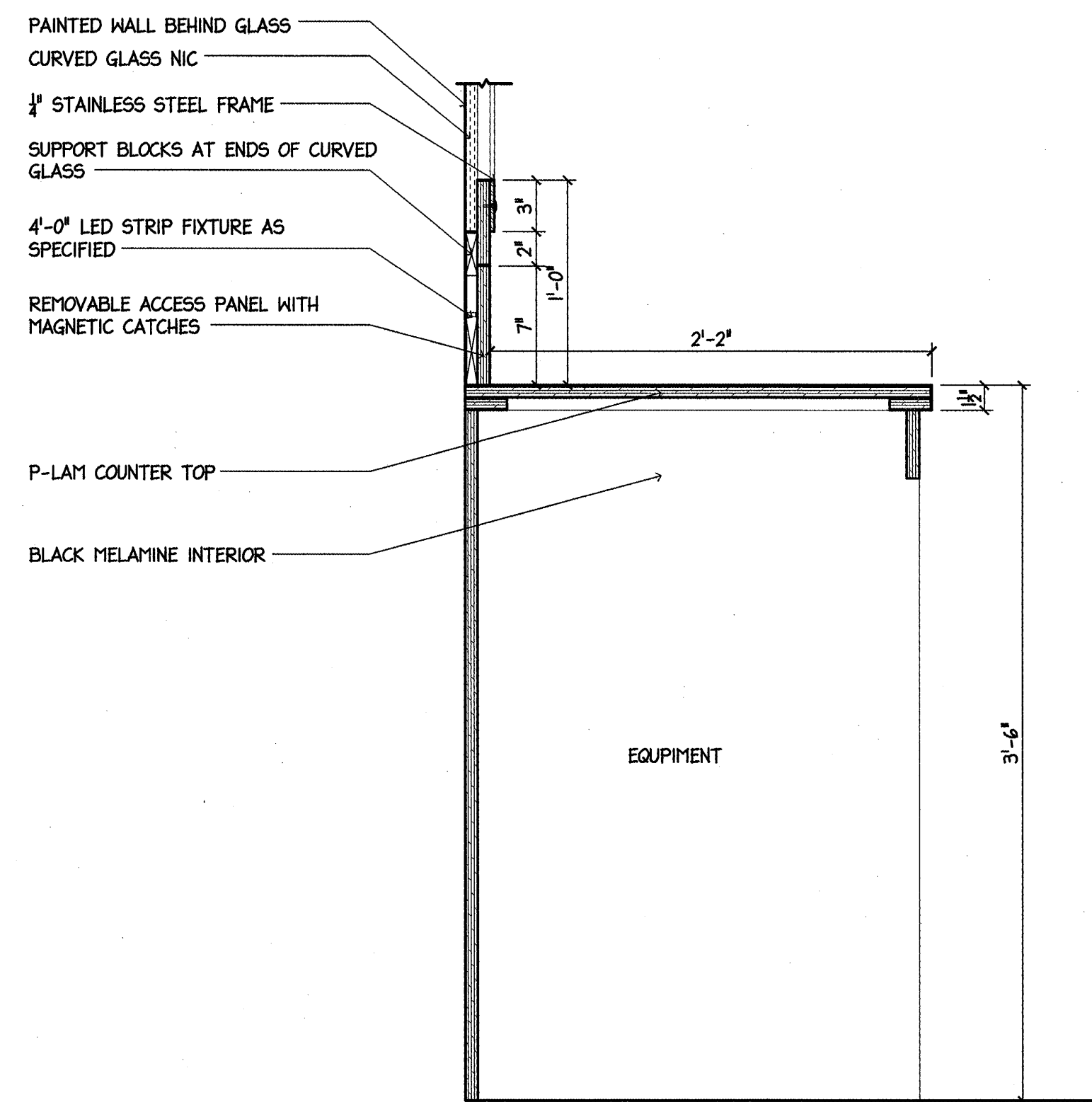
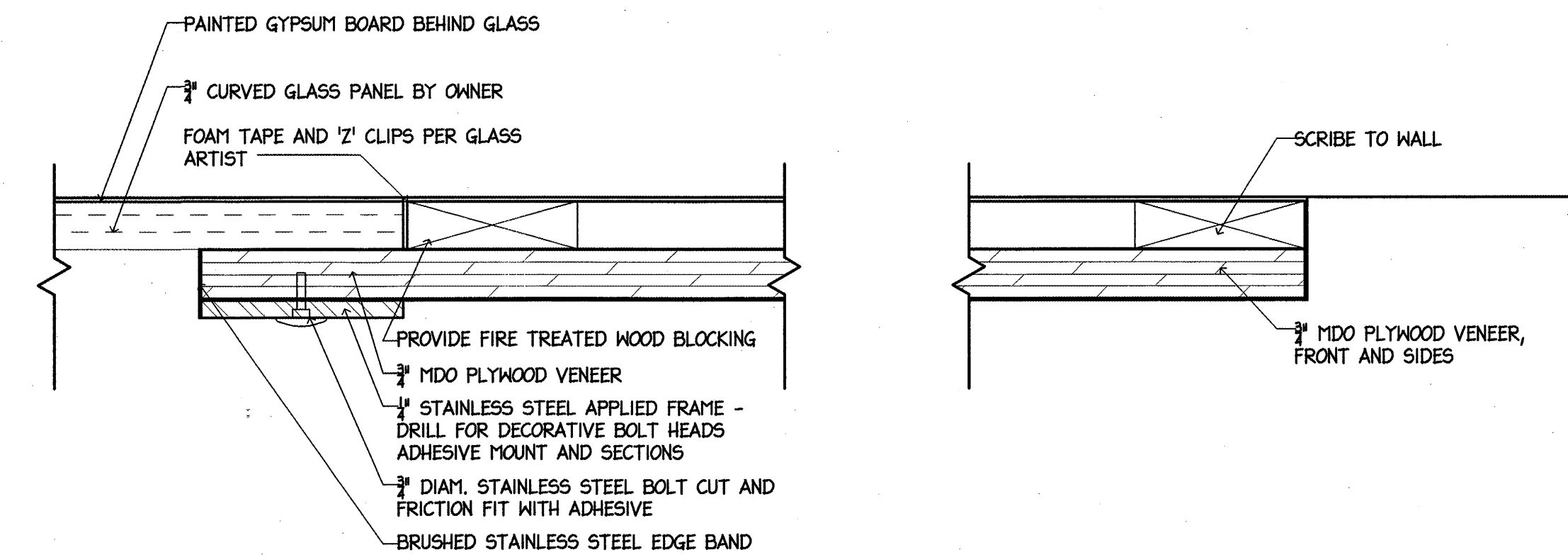


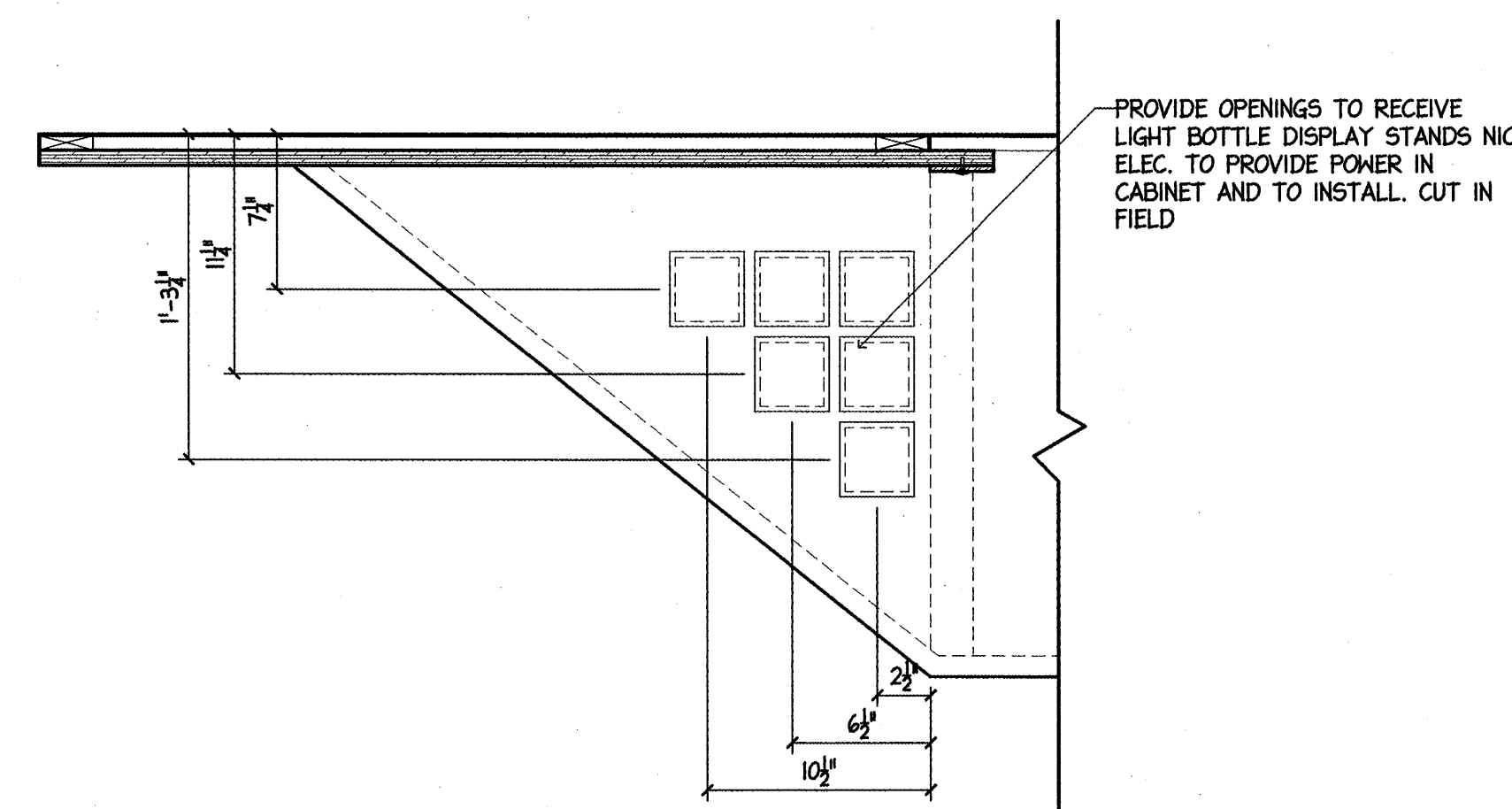
1 BACK BAR - SECTION
SCALE: 1 1/2" = 1'-0"



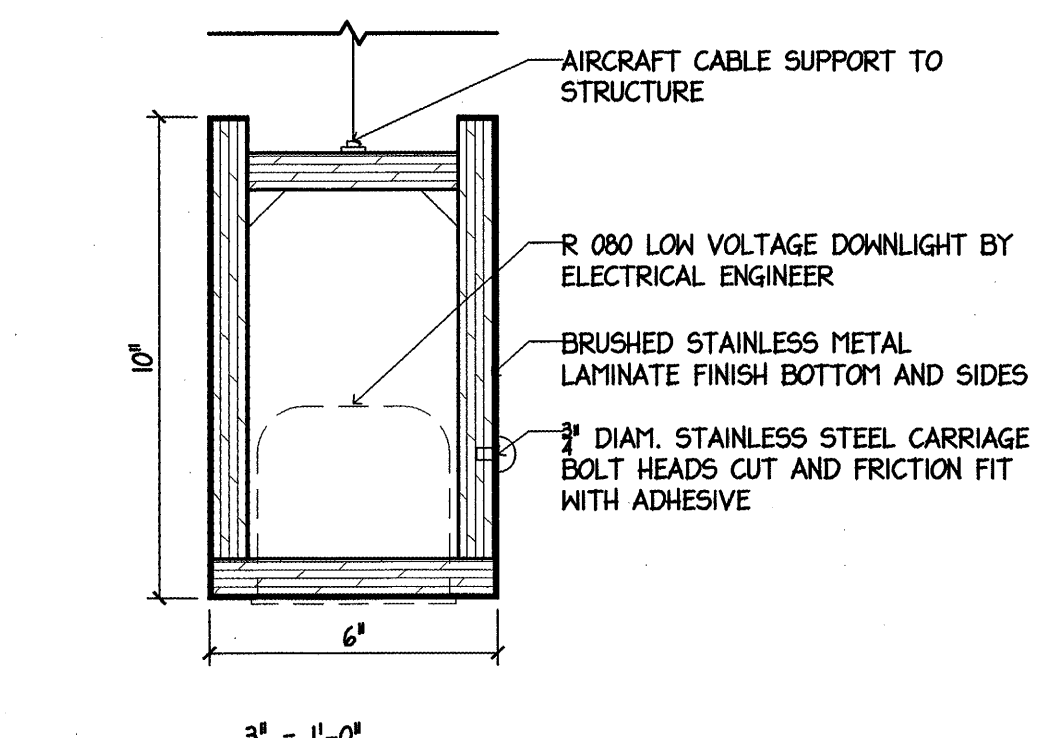
2 BACK BAR - SECTION
SCALE: 1 1/2" = 1'-0"



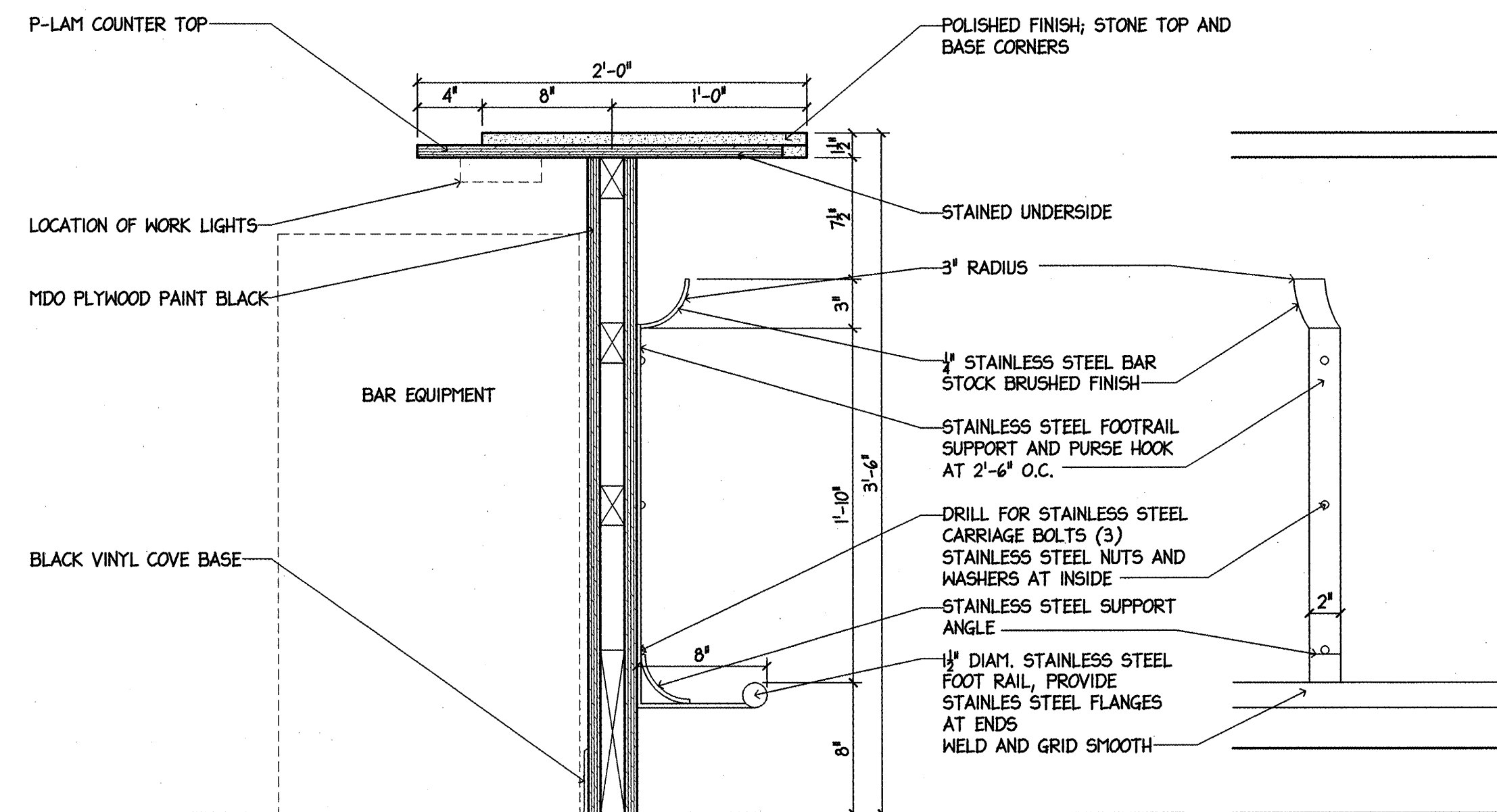
4 BACK BAR BUILT-OUT - DETAIL
SCALE: 6" = 1'-0"



3 BACK BAR - LIGHT DETAIL
SCALE: 1 1/2" = 1'-0"



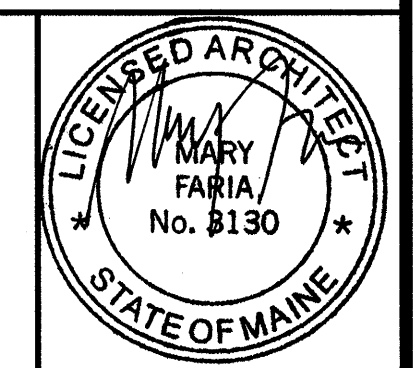
5 SOFFIT - DETAIL
SCALE: 3" = 1'-0"



3 LOBBY BAR - SECTION
SCALE: 1 1/2" = 1'-0"

PERMIT ISSUE - 09/27/07

NO.	REVISION	DATE
SCALE: As Noted	DRAWN BY: KW/ES	CHECKED BY: JR



PROJECT
RESIDENCE INN BY MARRIOTT
PORTLAND, ME
JOB# 802
TITLE
PUBLIC SPACE DETAILS

GROUP ONE
21 W. THIRD STREET, BOSTON, MA 02127
TEL: (617)268-7000 FAX: (617)268-0209

DRAWING NO.
A7.3