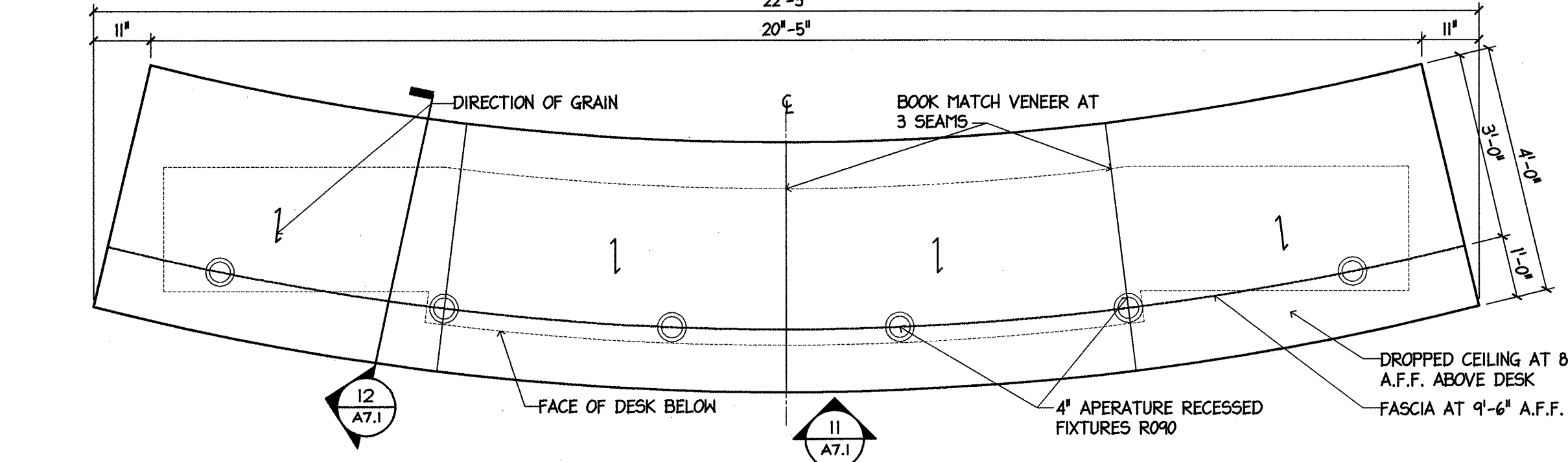
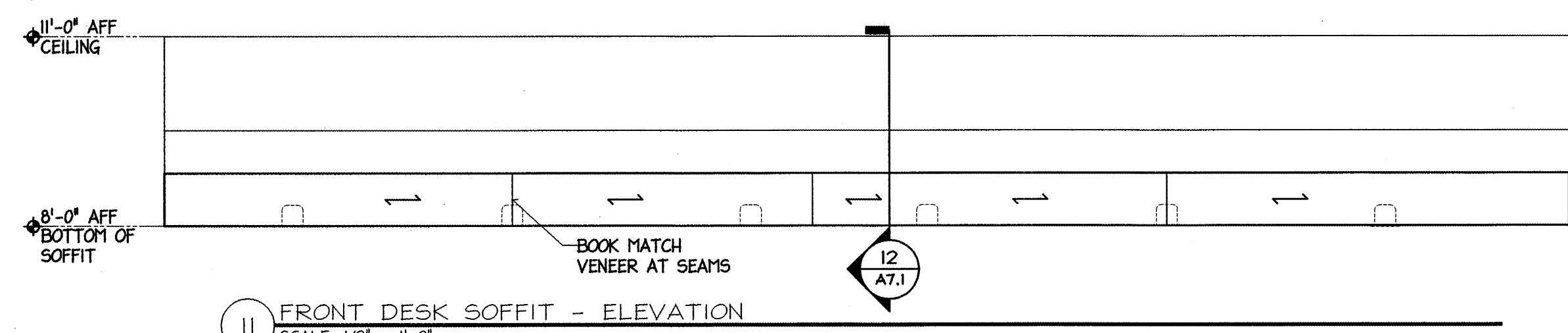
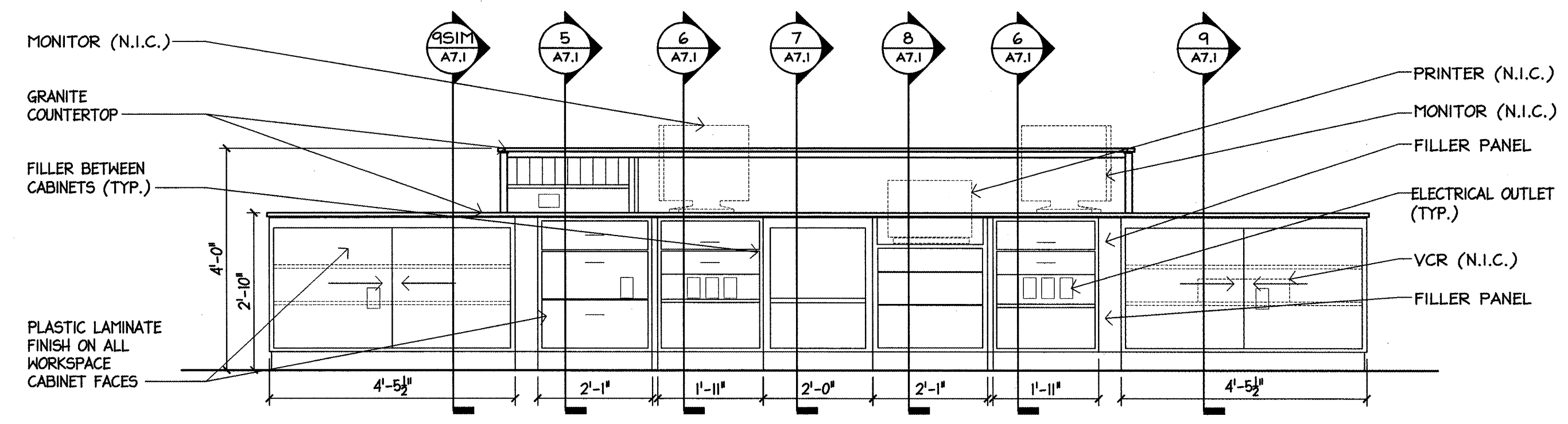


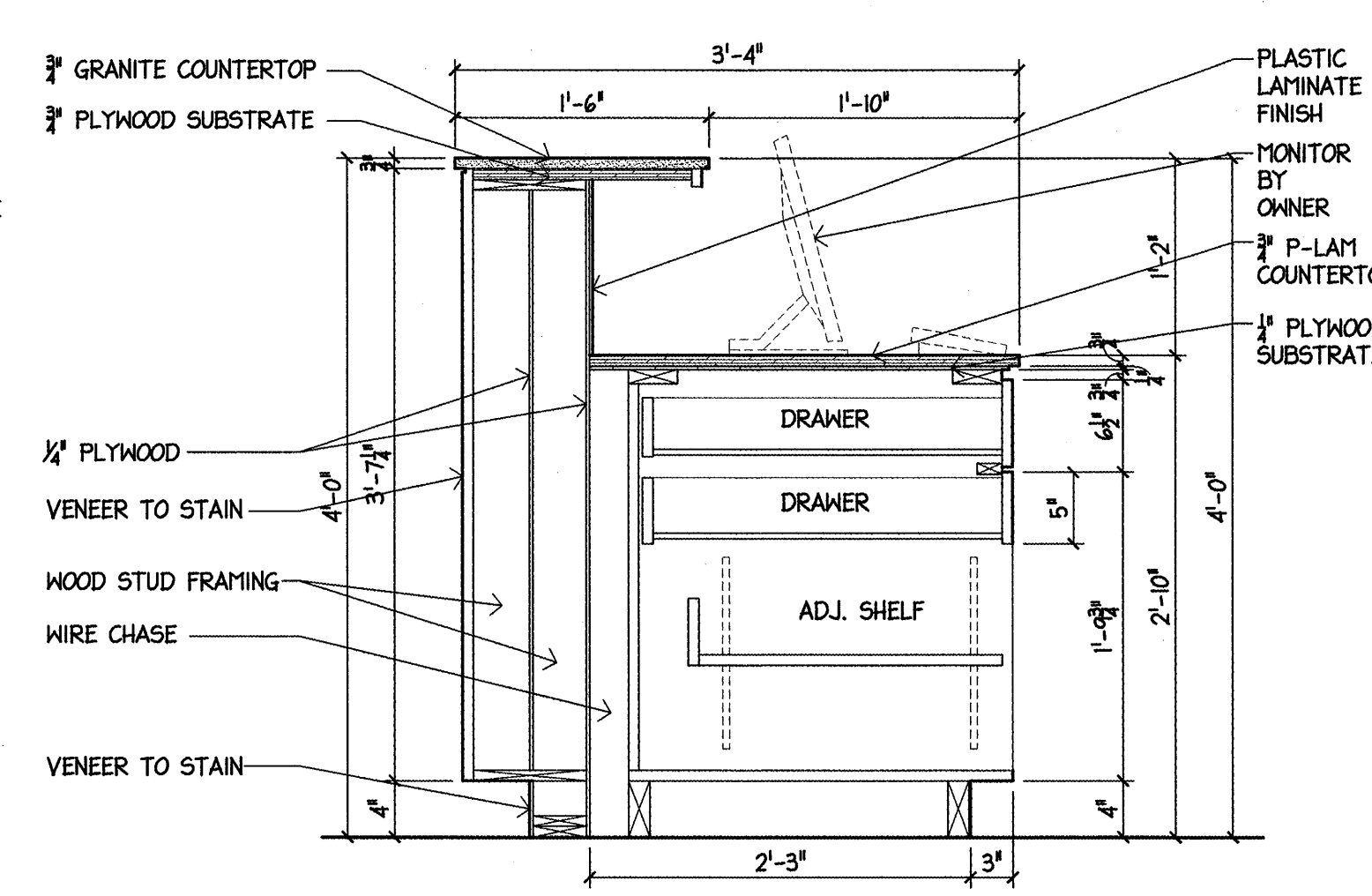
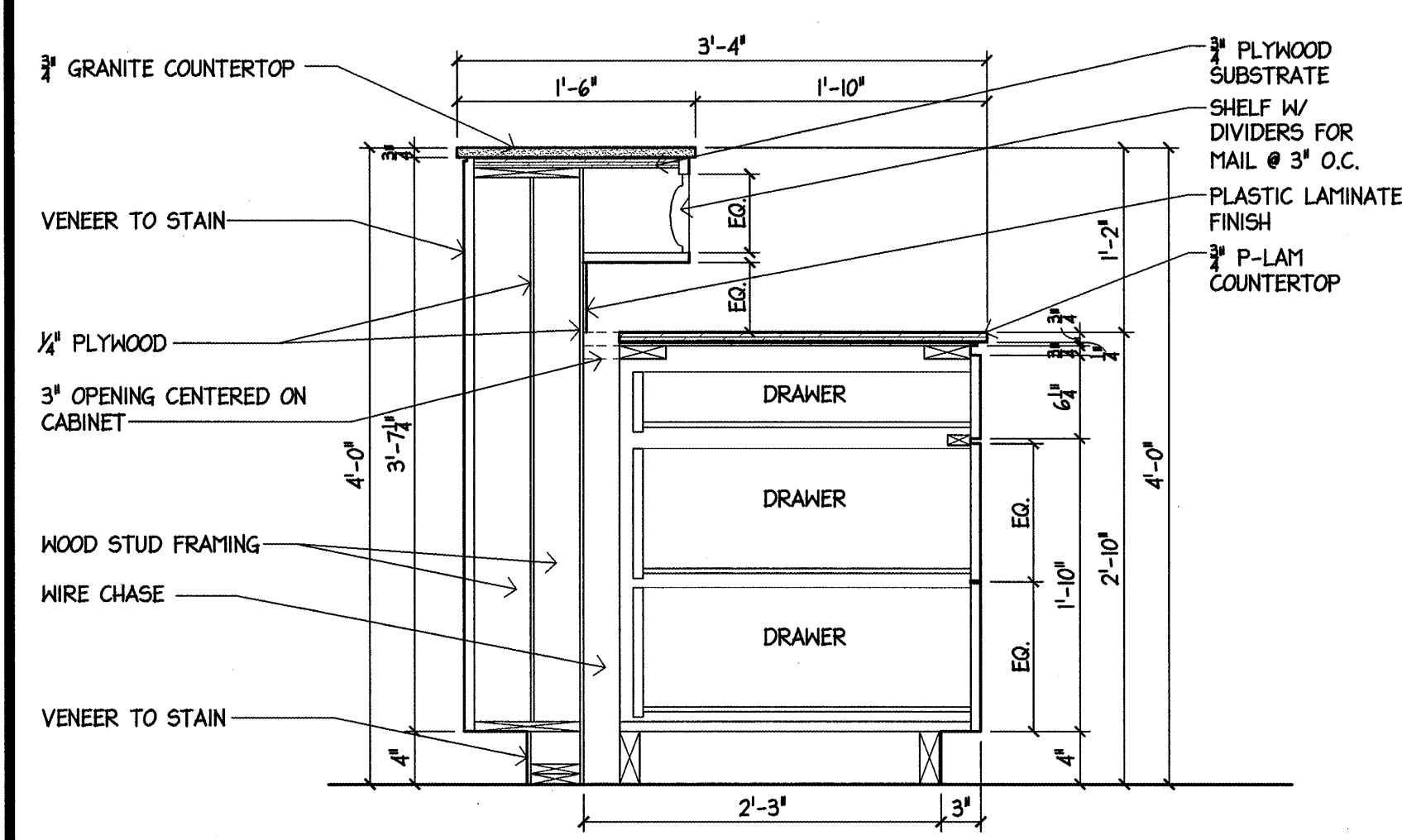
A FRONT DESK - PLAN
SCALE: 1/2" = 1'-0"



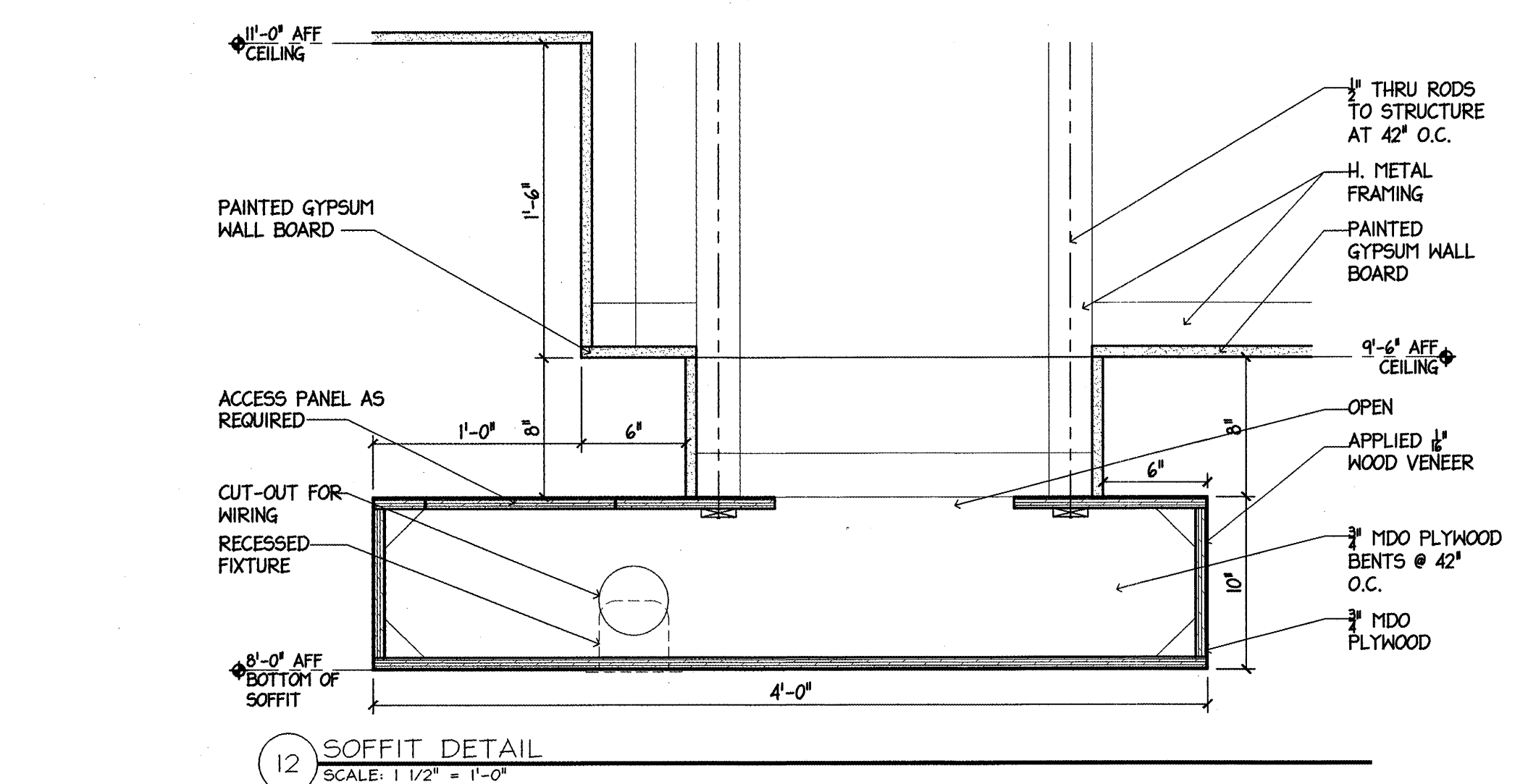
B FRONT DESK SOFFIT - PLAN
SCALE: 1/2" = 1'-0"



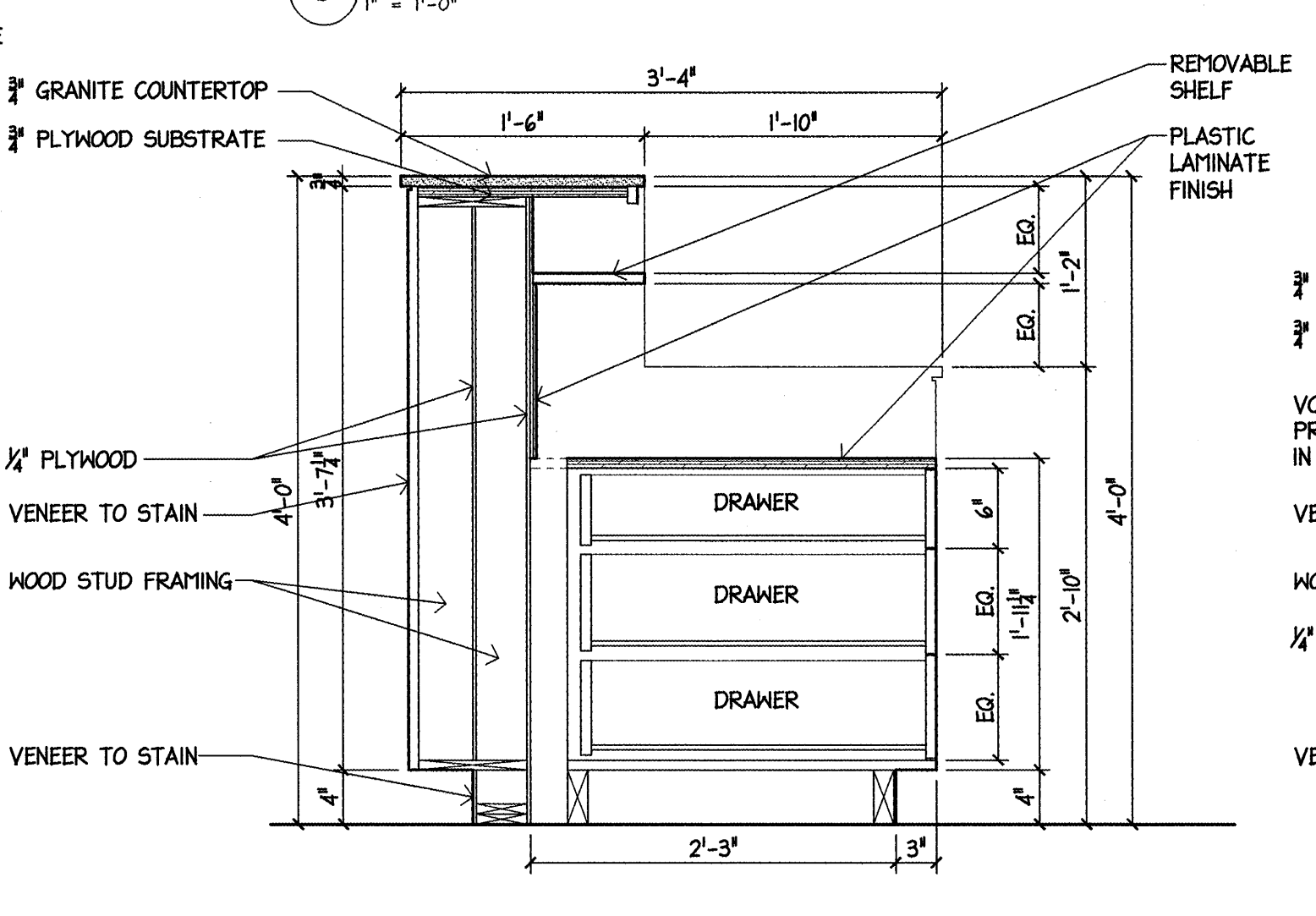
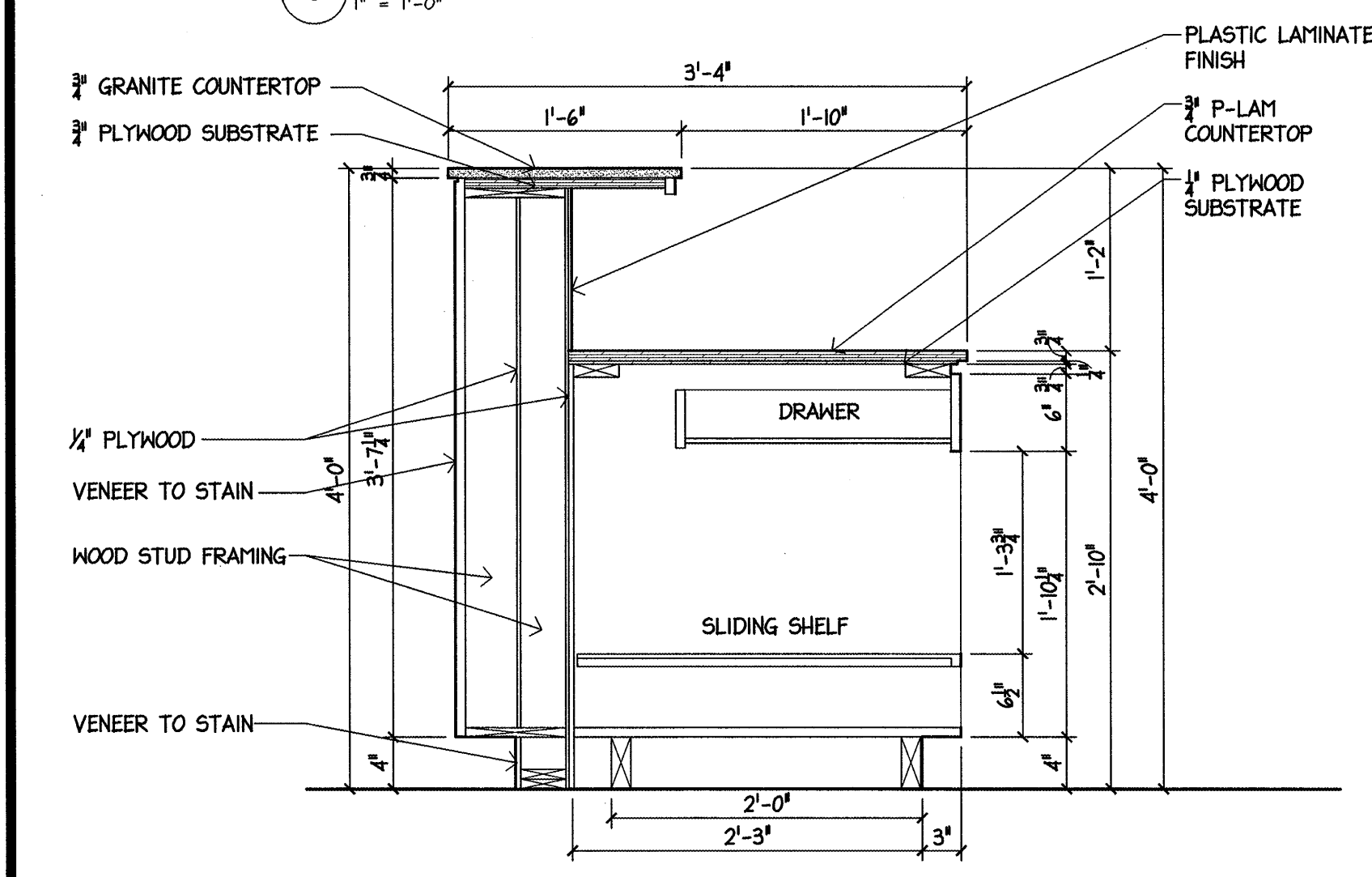
11 FRONT DESK SOFFIT - ELEVATION
SCALE: 1/2" = 1'-0"



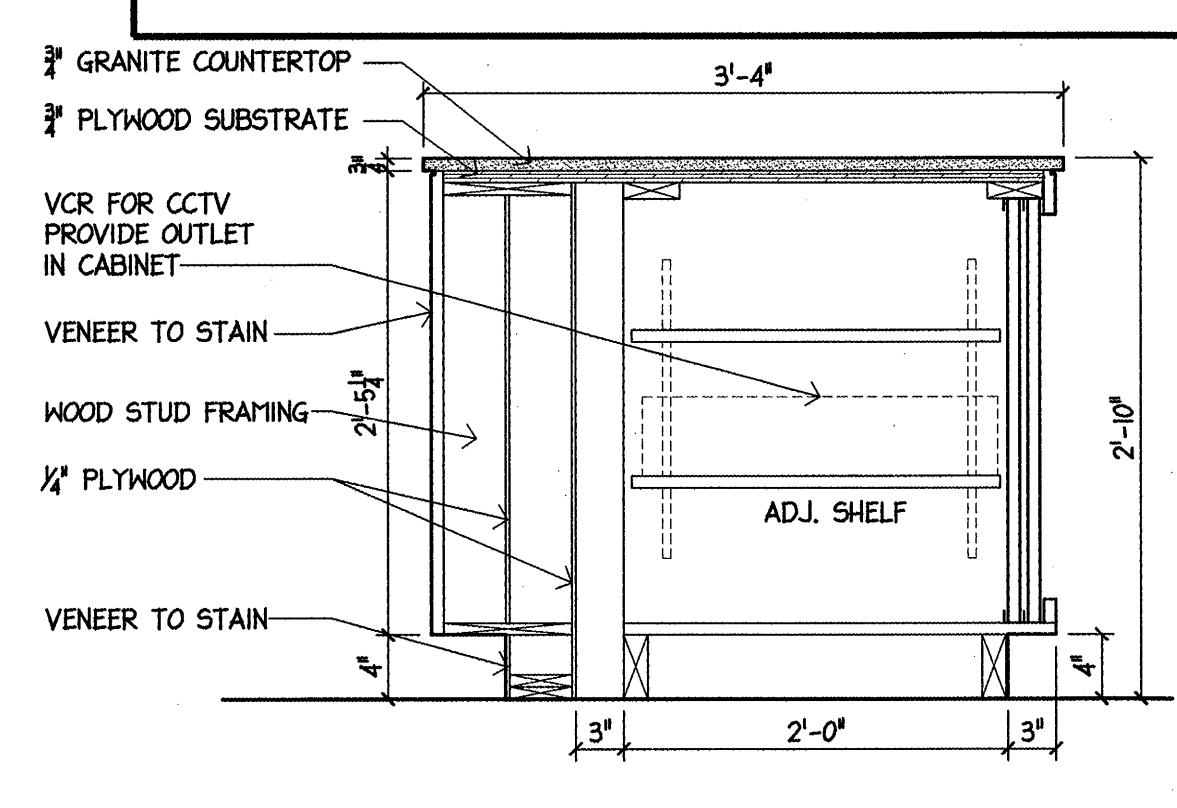
6 SECT - REG. DESK AT MONITORS
1" = 1'-0"



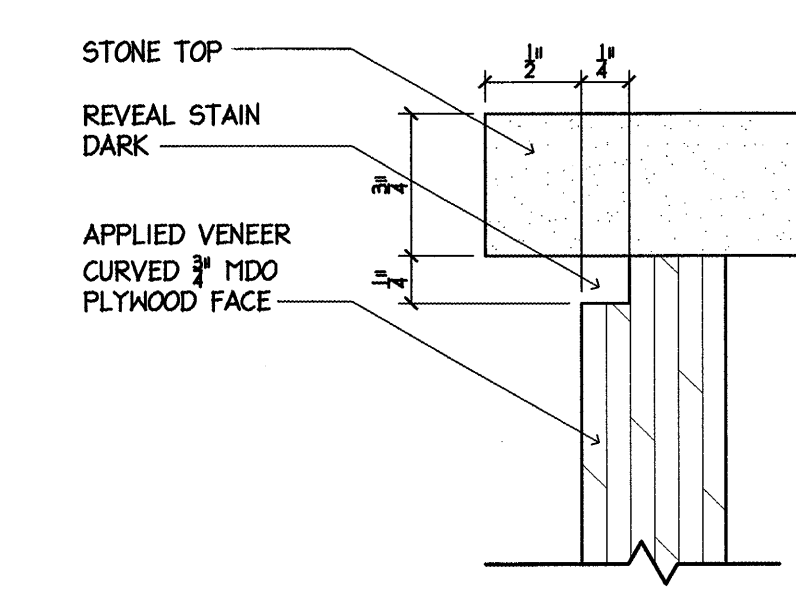
12 SOFFIT DETAIL
SCALE: 1/2" = 1'-0"



8 SECT - REG. DESK AT PRINTER
1" = 1'-0"



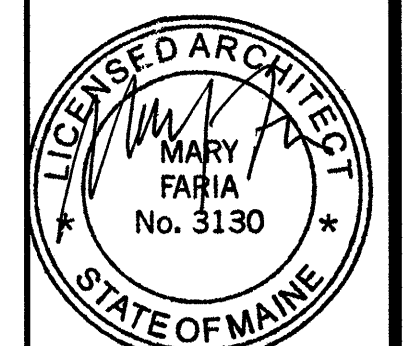
9 SECT - REG. DESK AT VCR SHELF
1" = 1'-0"



10 COUNTER DETAIL
SCALE: 1'-0" = 1'-0"

PERMIT ISSUE - 09/27/07

NO.	REVISION	DATE
SCALE: As Noted	DRAWN BY: KW/ES	CHECKED BY: JR



PROJECT
RESIDENCE INN BY MARRIOTT
PORTLAND, ME
JOB# 802

TITLE
PUBLIC SPACE DETAILS

GROUP ONE
21 W. THIRD STREET, BOSTON, MA 02127
TEL: (617)268-7000 FAX: (617)268-0209

DRAWING NO.
A7.1