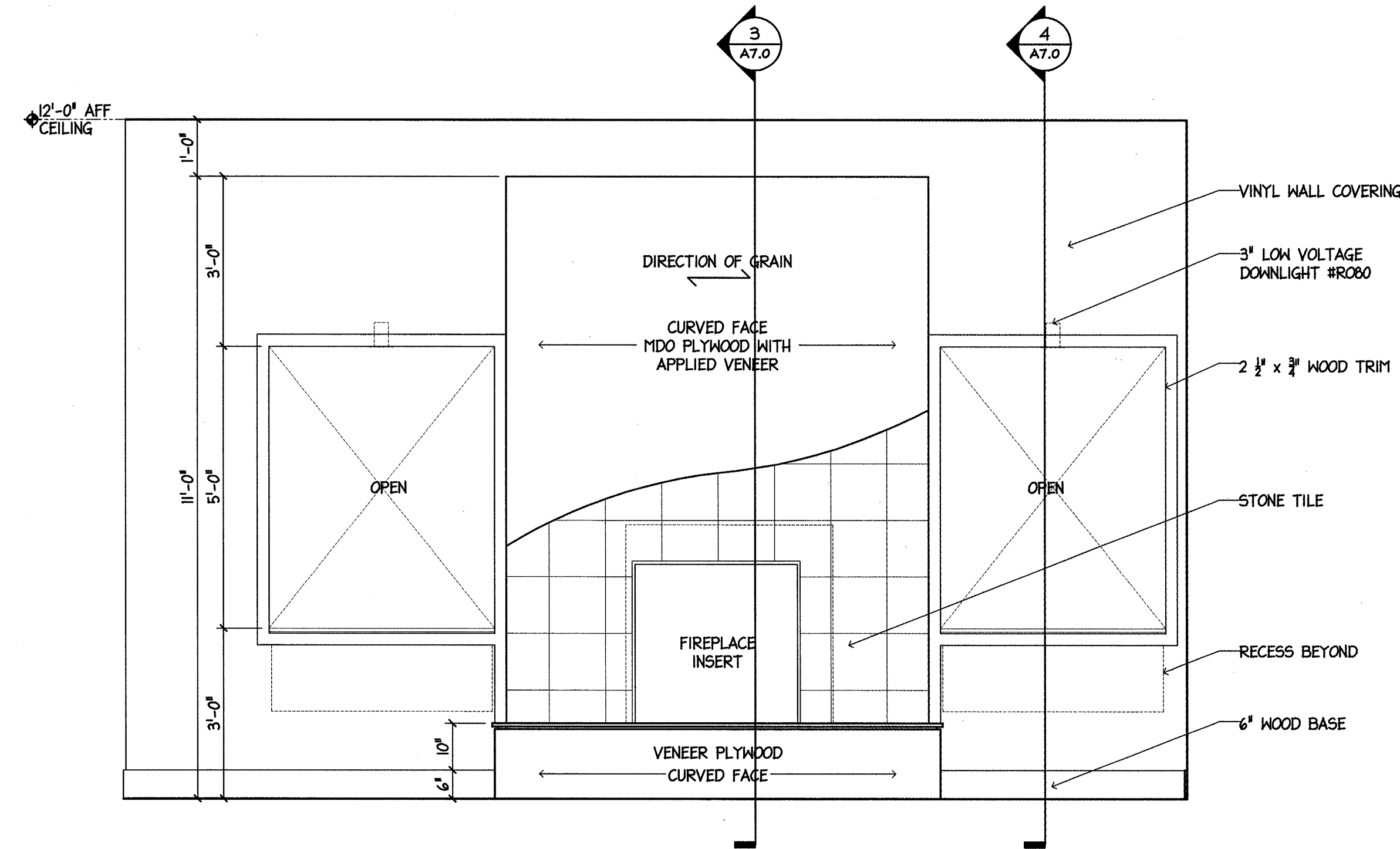
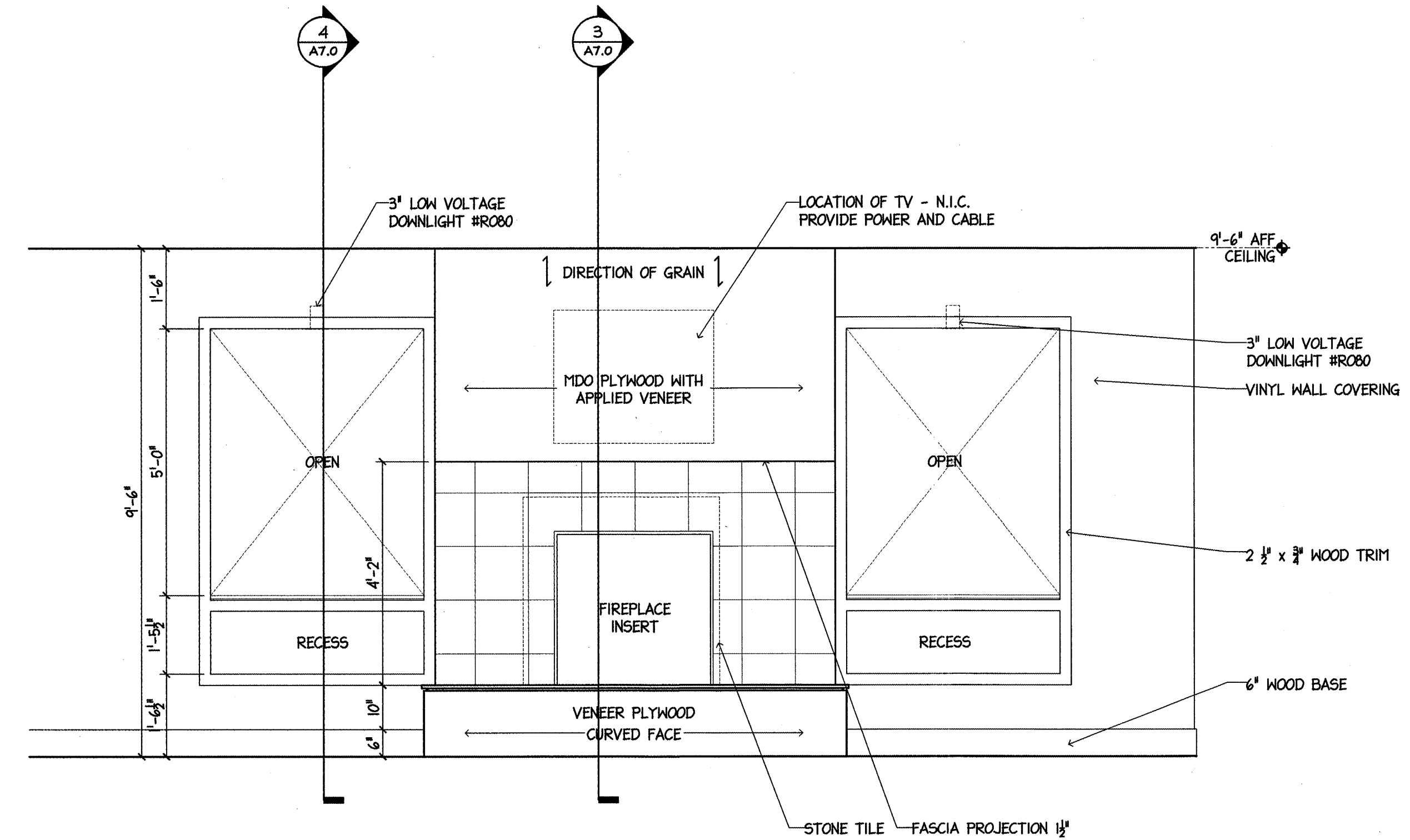


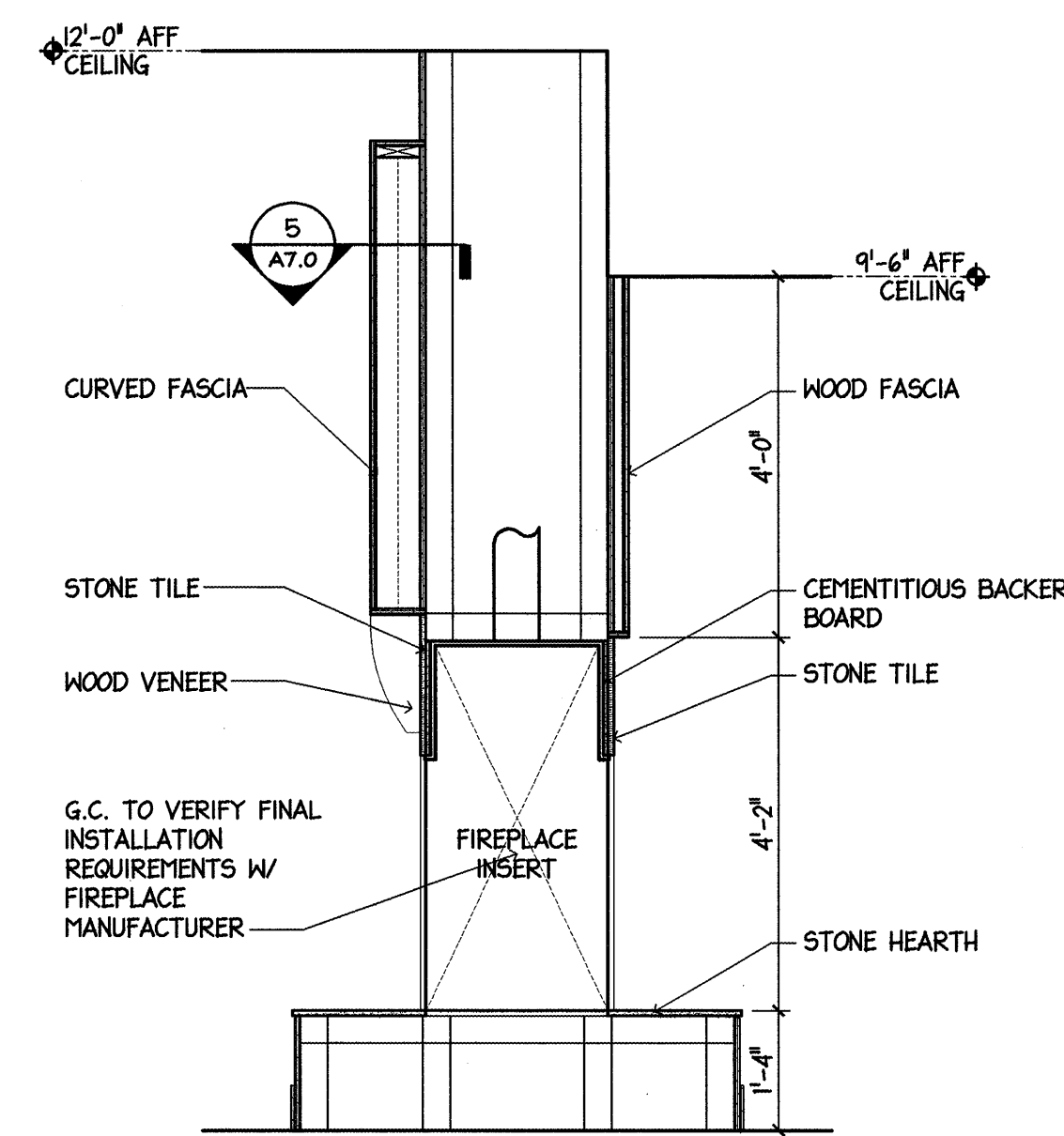
A FIREPLACE - PLAN
SCALE: 1/2" = 1'-0"



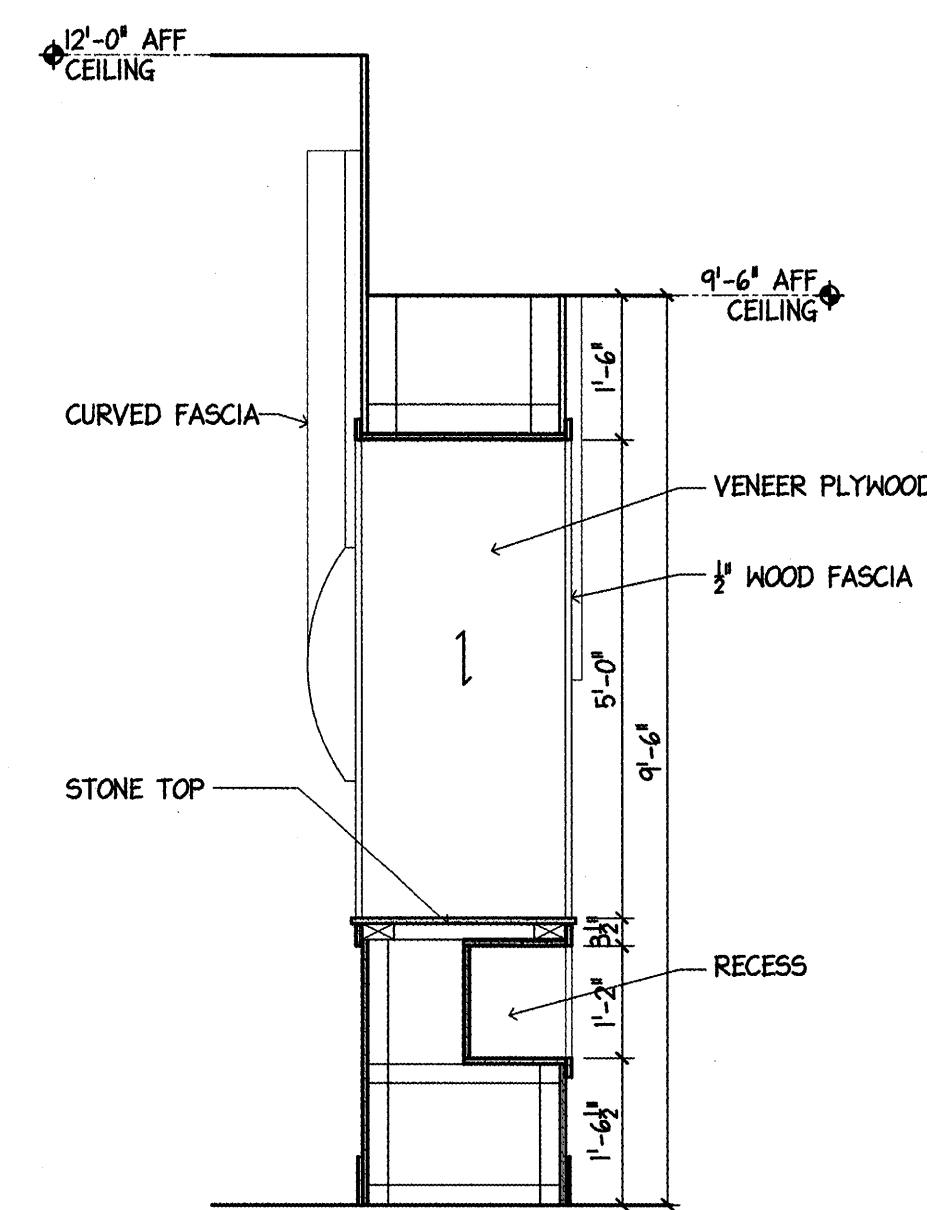
1 FIREPLACE - ELEVATION (LOBBY SIDE)
SCALE: 1/2" = 1'-0"



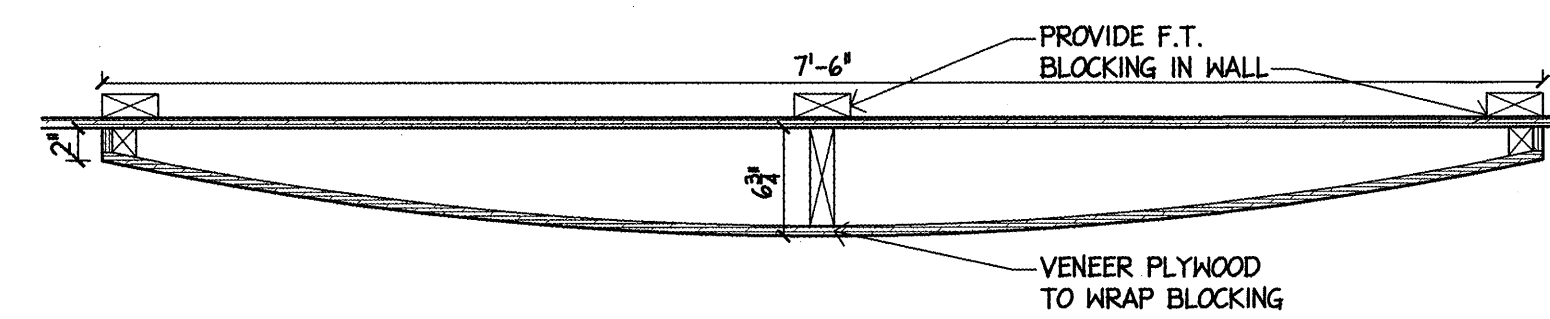
2 FIREPLACE - ELEVATION (HEARTHROOM SIDE)
SCALE: 1/2" = 1'-0"



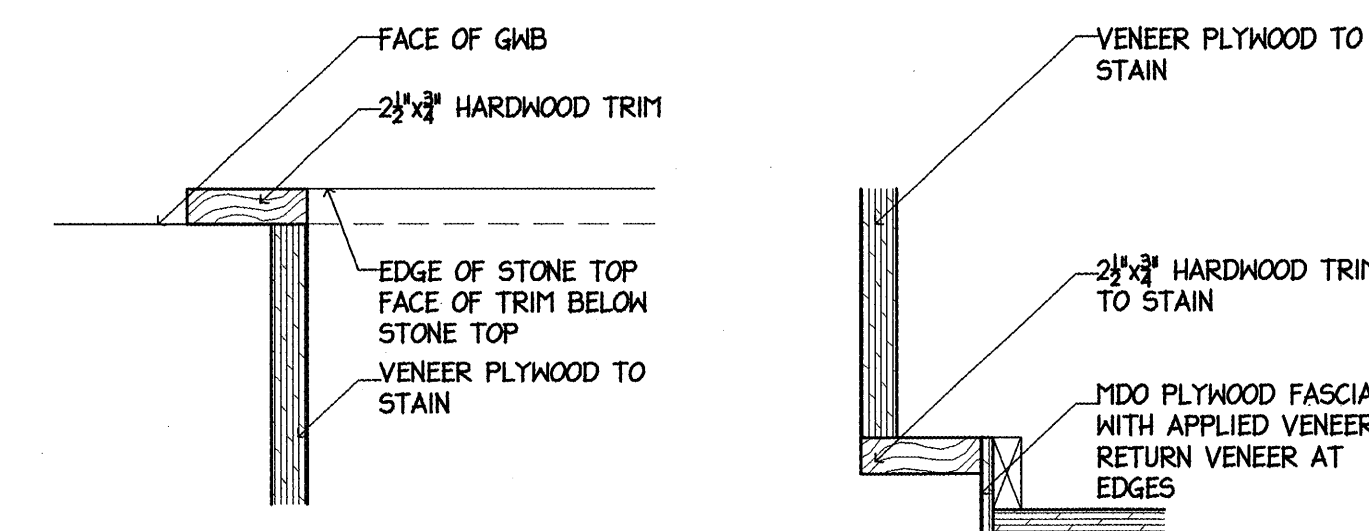
3 FIREPLACE - SECTION
SCALE: 1/2" = 1'-0"



4 FIREPLACE - SECTION
SCALE: 1/2" = 1'-0"



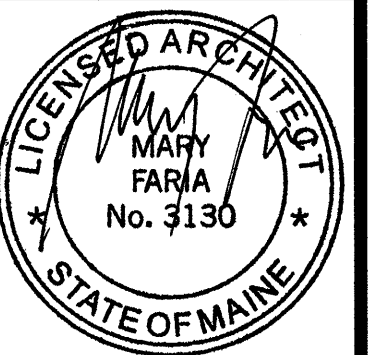
5 CURVED FASCIA
SCALE: 1" = 1'-0"



6 FIREPLACE - DETAIL
SCALE: 3" = 1'-0"

PERMIT ISSUE - 09/27/07

NO.	REVISION	DATE
SCALE: As Noted	DRAWN BY: KW/ES	CHECKED BY: JR



PROJECT
RESIDENCE INN BY MARRIOTT
PORTLAND, ME
JOB# 802

TITLE
PUBLIC SPACE DETAILS

GROUP ONE
21 W. THIRD STREET, BOSTON, MA 02127
TEL: (617)268-7000 FAX: (617)268-0209

DRAWING NO.
A7.0