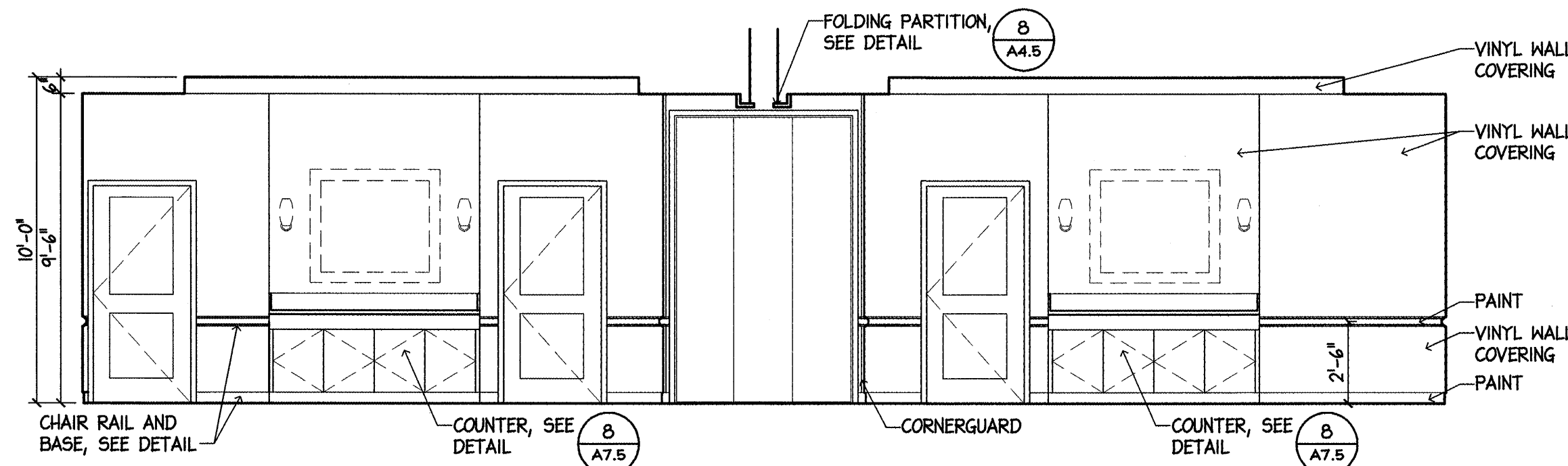
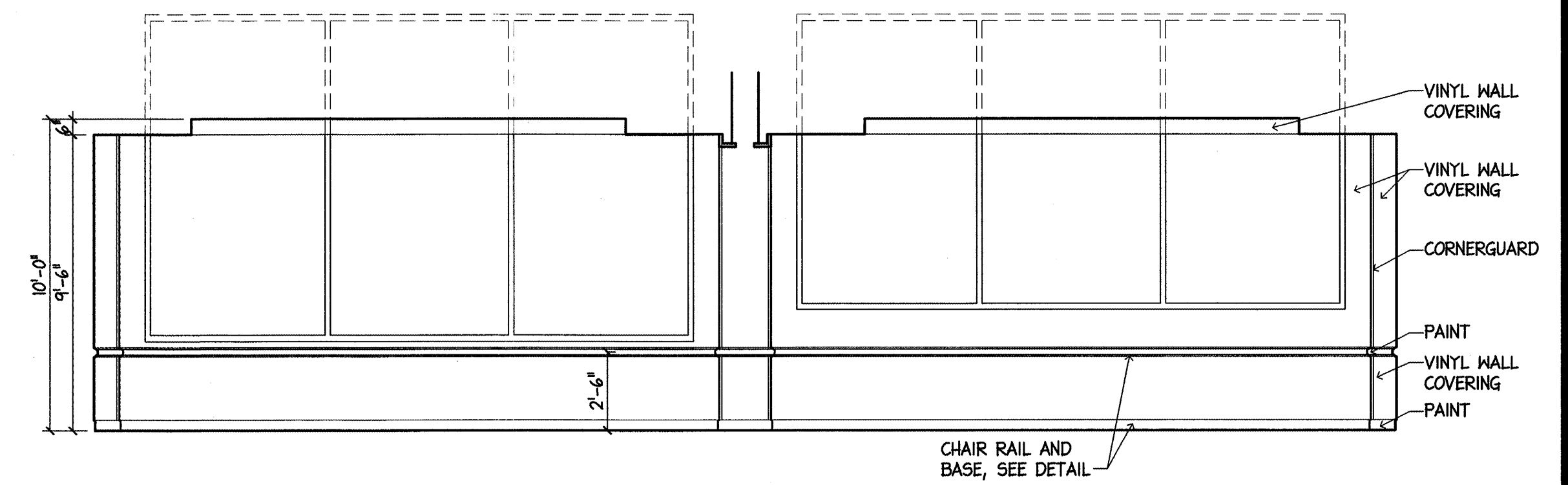


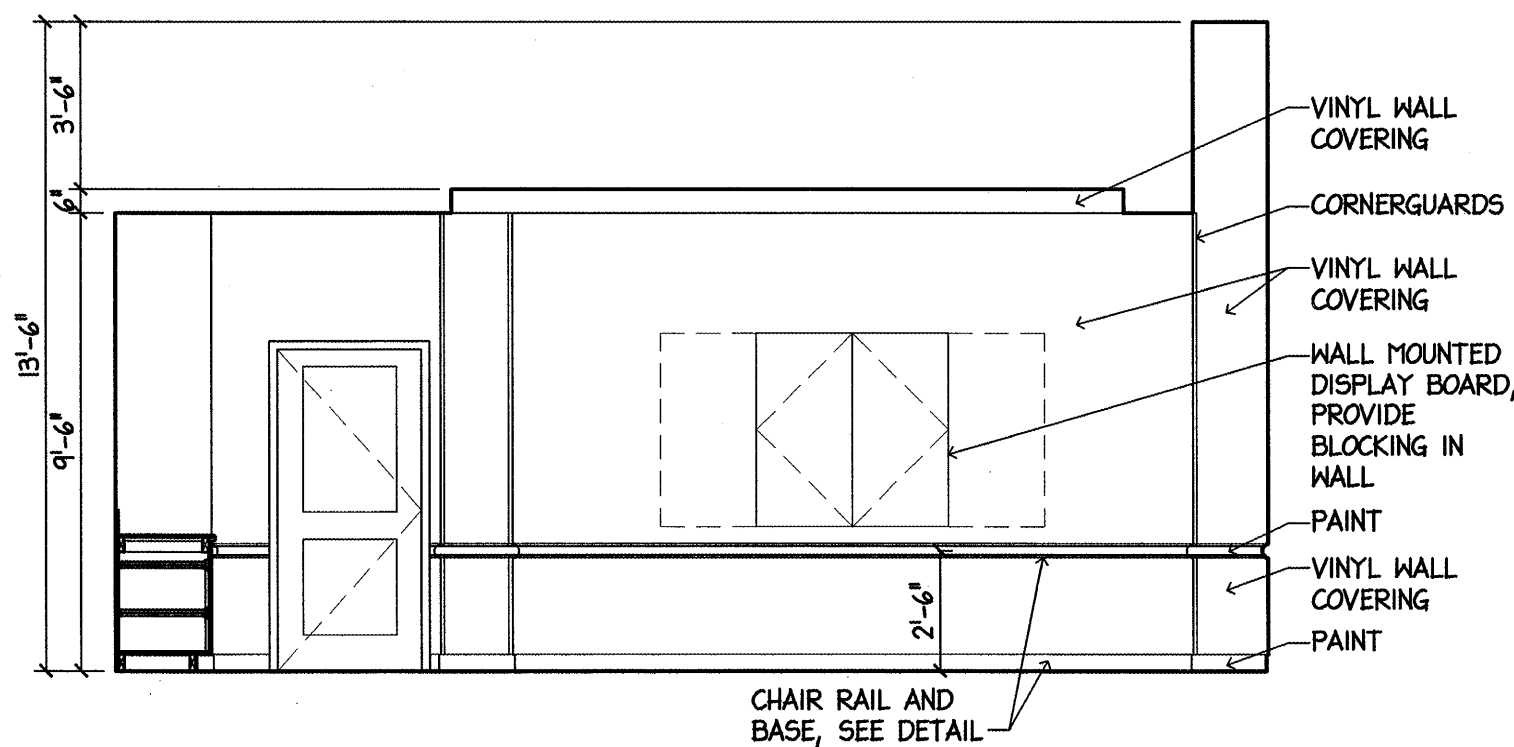
24 MEETING ROOM
1/4" = 1'-0"



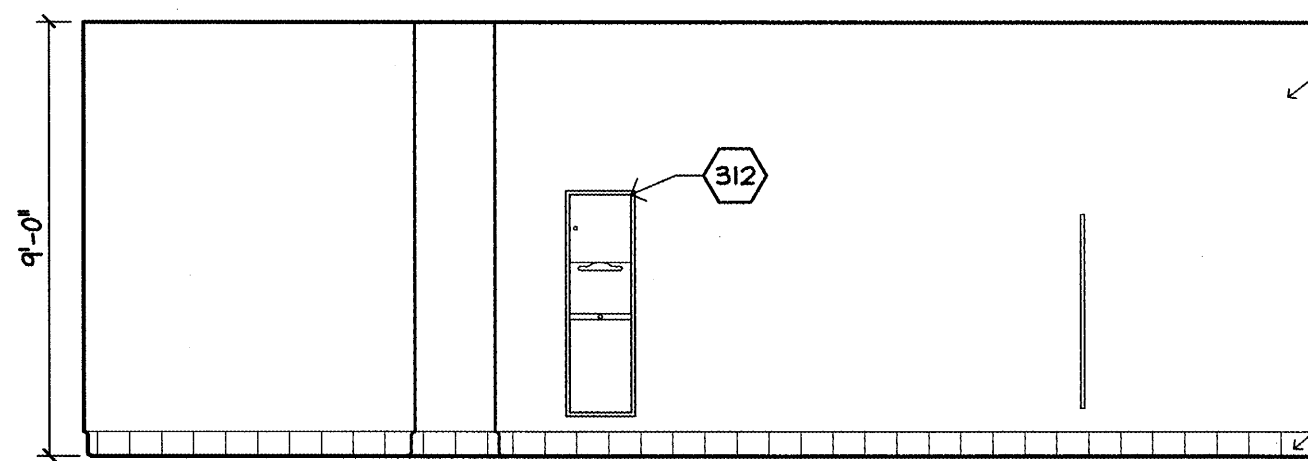
25 MEETING ROOM
1/4" = 1'-0"



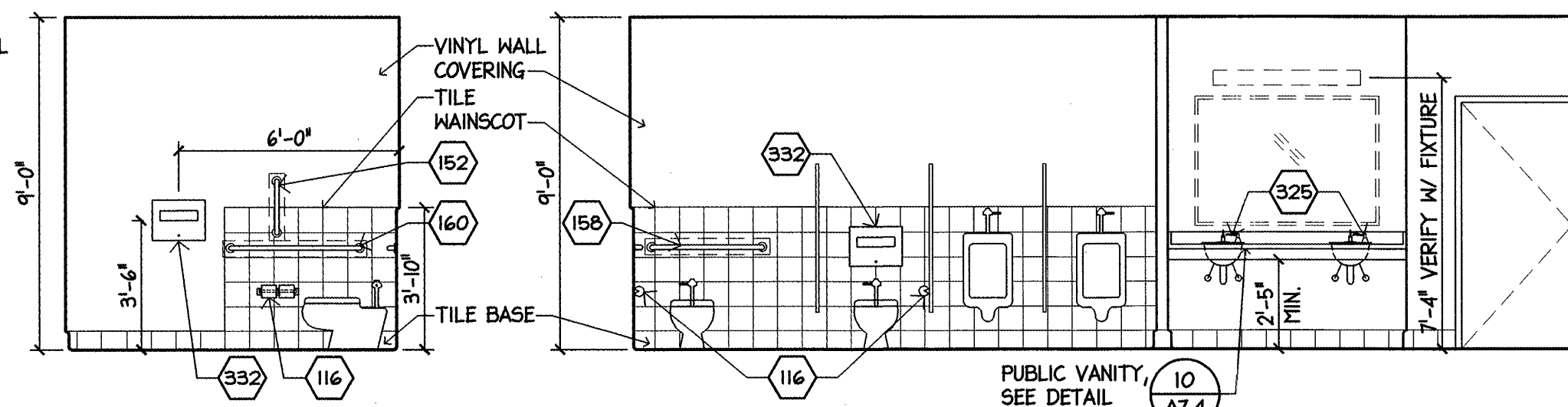
26 MEETING ROOM
1/4" = 1'-0"



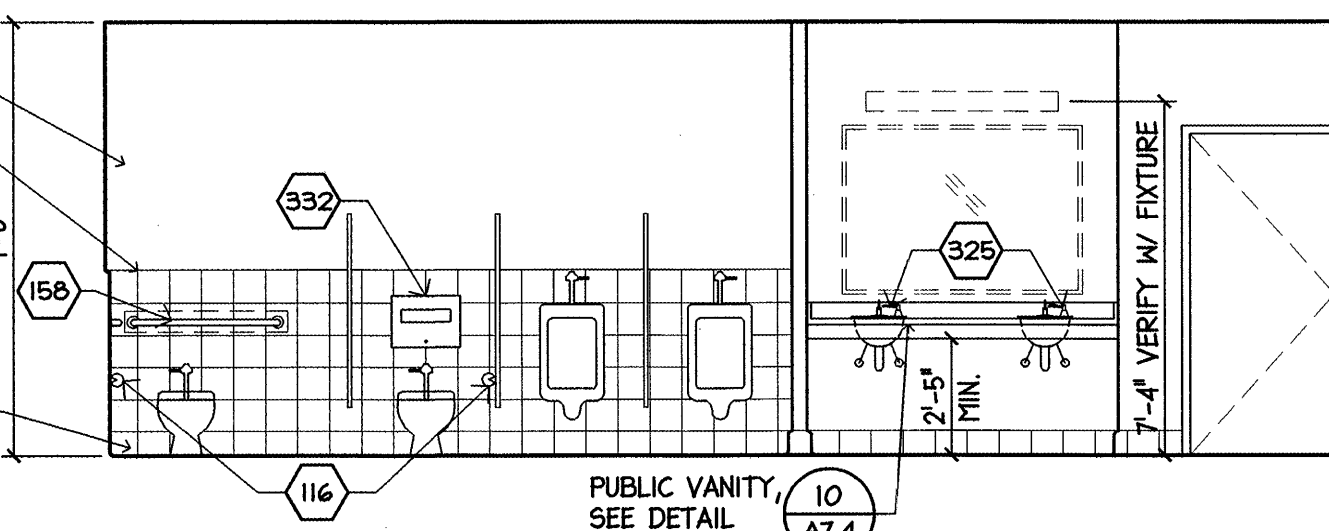
27 MEETING ROOM
1/4" = 1'-0"



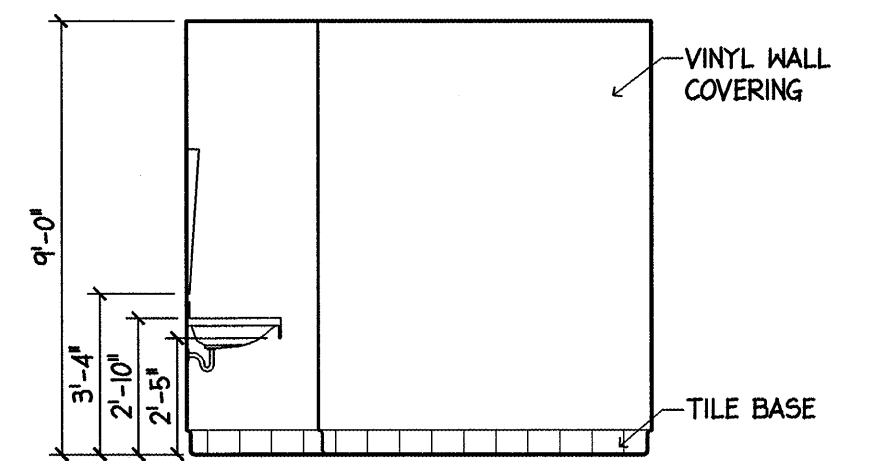
28 MEN'S RESTROOM
1/4" = 1'-0"



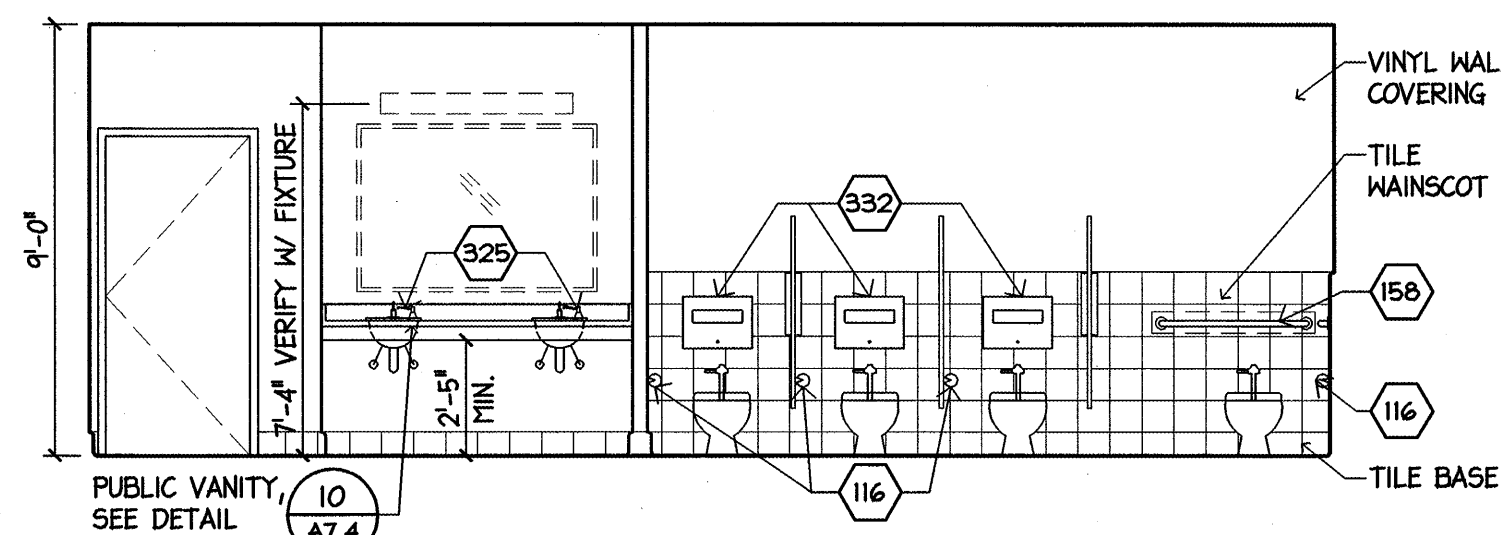
29 MEN'S RESTROOM
1/4" = 1'-0"



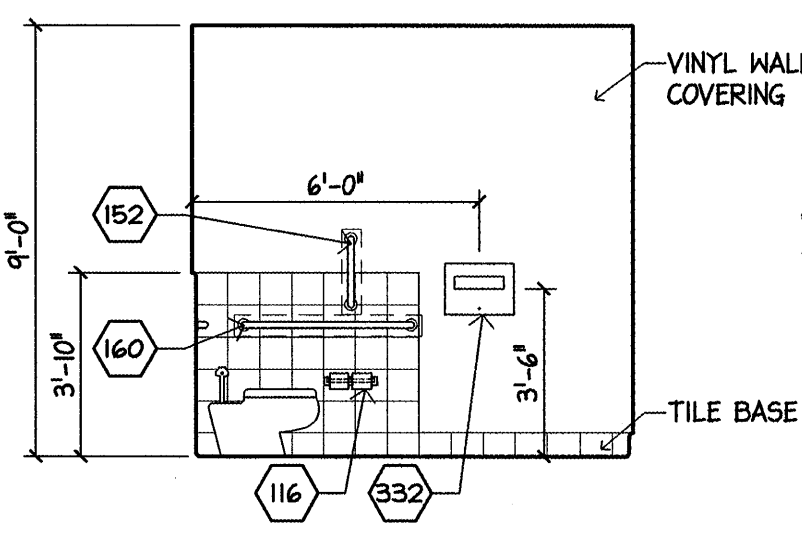
30 MEN'S RESTROOM
1/4" = 1'-0"



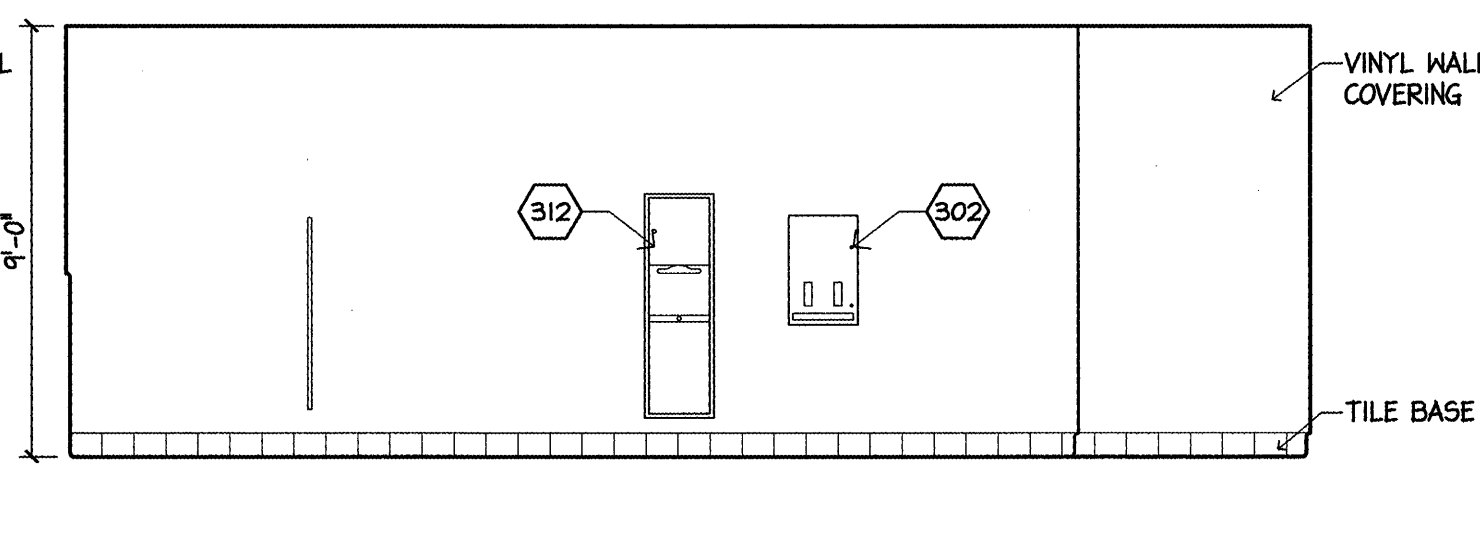
31 MEN'S RESTROOM
1/4" = 1'-0"



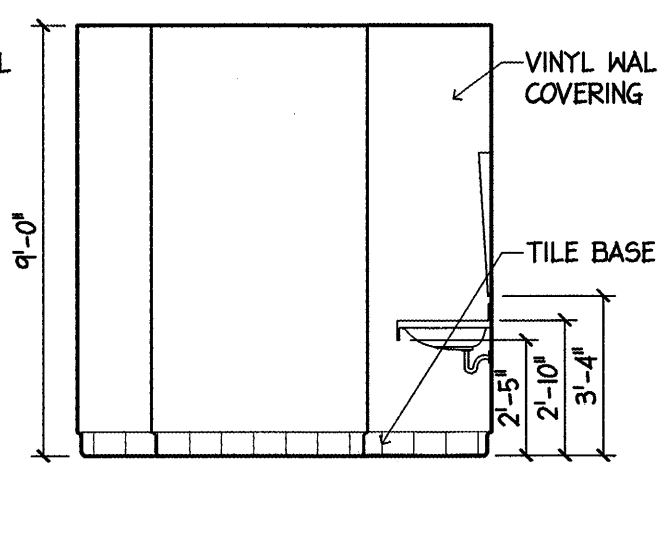
32 WOMEN'S RESTROOM
1/4" = 1'-0"



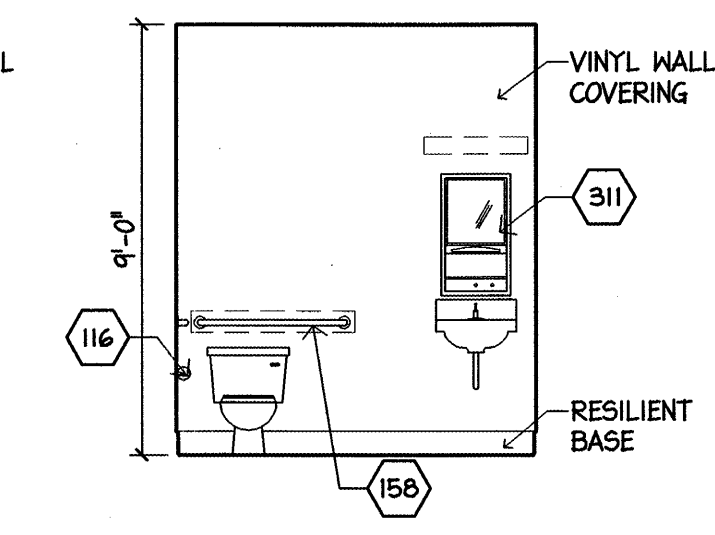
33 WOMEN'S RESTROOM
1/4" = 1'-0"



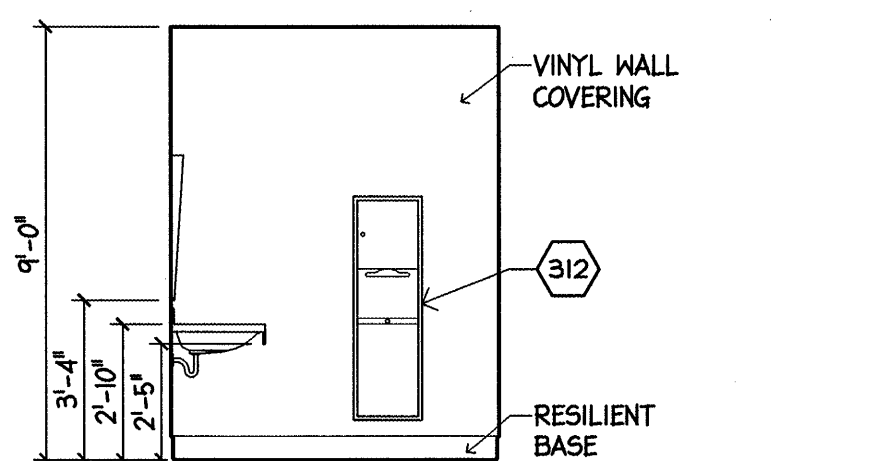
34 WOMEN'S RESTROOM
1/4" = 1'-0"



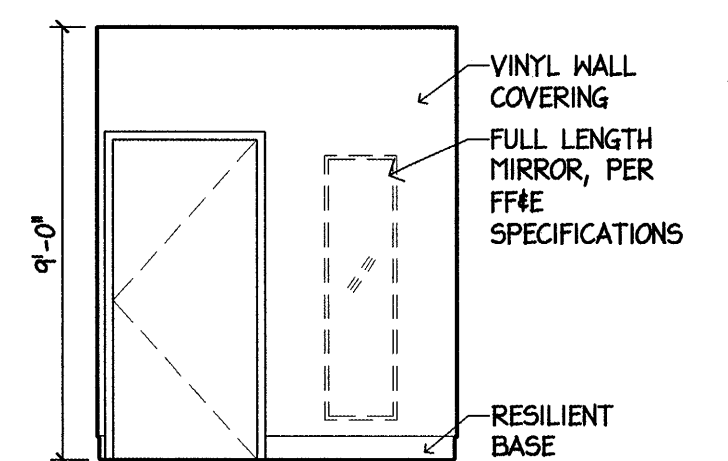
35 WOMEN'S RESTROOM
1/4" = 1'-0"



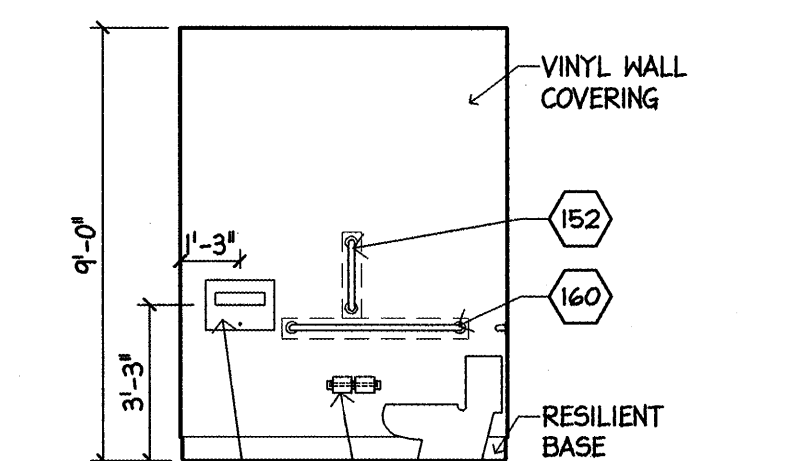
36 EMPLOYEE AND UNISEX TOILET
1/4" = 1'-0"



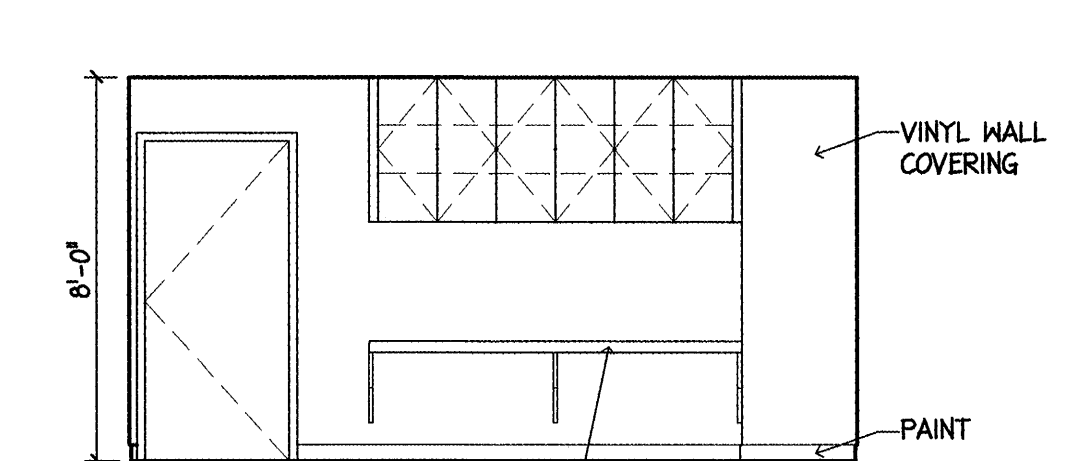
37 EMPLOYEE AND UNISEX TOILET
1/4" = 1'-0"



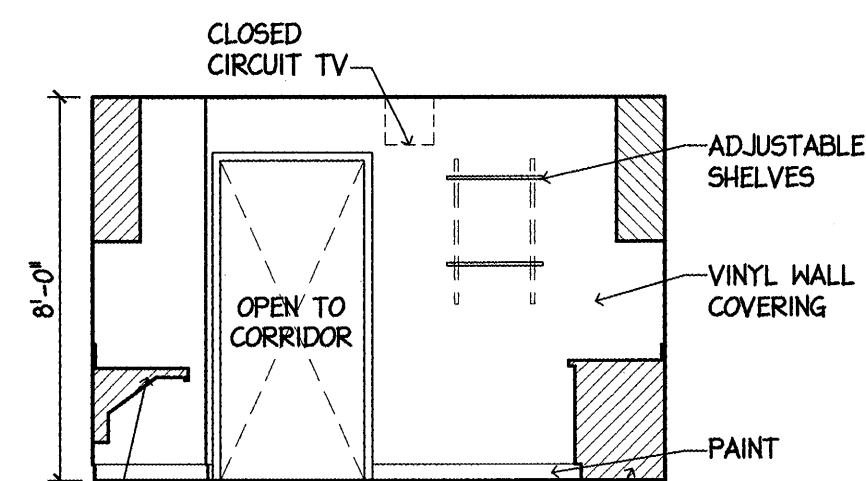
38 EMPLOYEE AND UNISEX TOILET
1/4" = 1'-0"



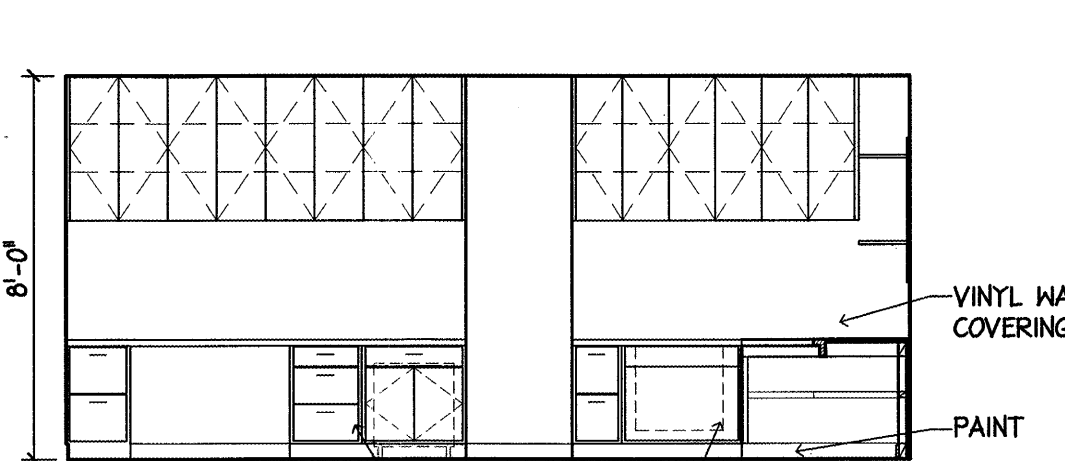
39 EMPLOYEE AND UNISEX TOILET
1/4" = 1'-0"



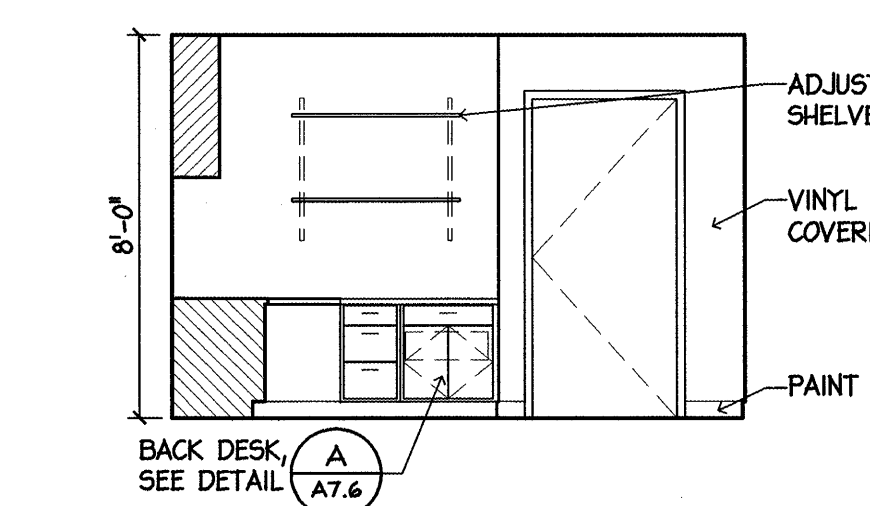
40 WORKROOM
1/4" = 1'-0"



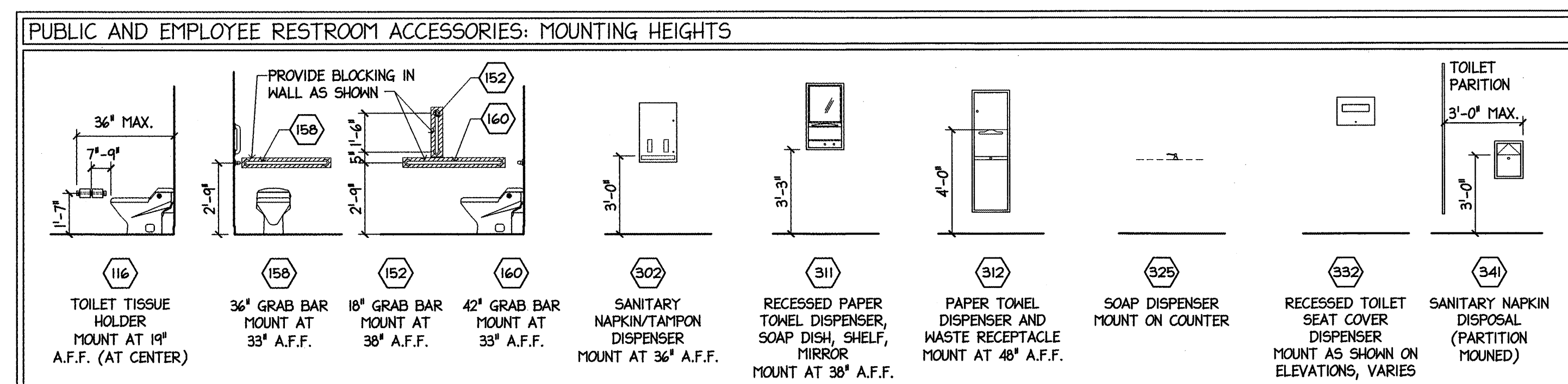
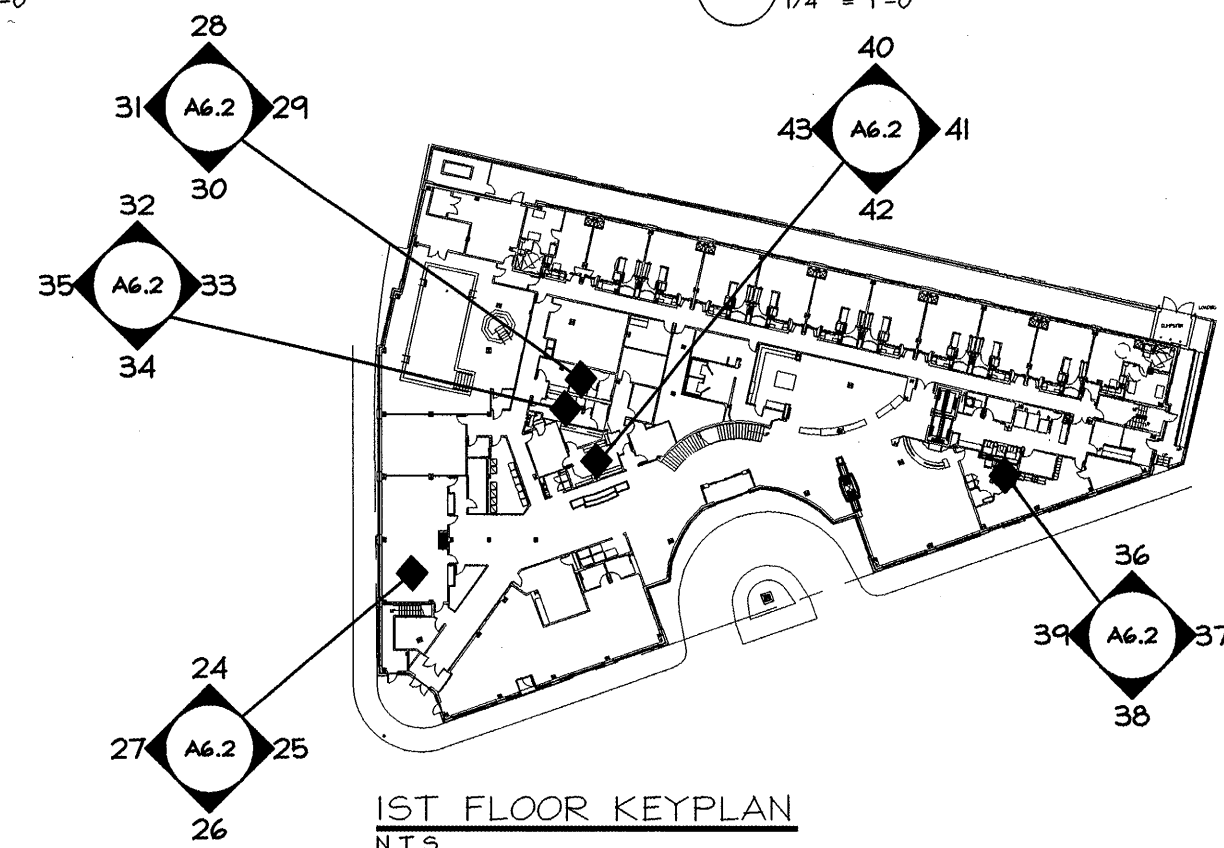
41 WORKROOM
1/4" = 1'-0"



42 WORKROOM
1/4" = 1'-0"

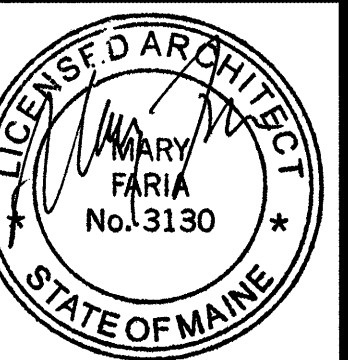


43 WORKROOM
1/4" = 1'-0"



PERMIT ISSUE - 09/27/07

NO.	REVISION	DATE
SCALE: As Noted	DRAWN BY: ES	
DATE:	CHECKED BY: JR	



PROJECT

**RESIDENCE INN
BY MARRIOTT**

PORTLAND, ME

JOB# 802

TITLE

**PUBLIC SPACE
ELEVATIONS**

GROUP ONE
21 W. THIRD STREET, BOSTON, MA 02127
TEL: (617)268-7000 FAX: (617)268-0209

DRAWING NO.

A6.2