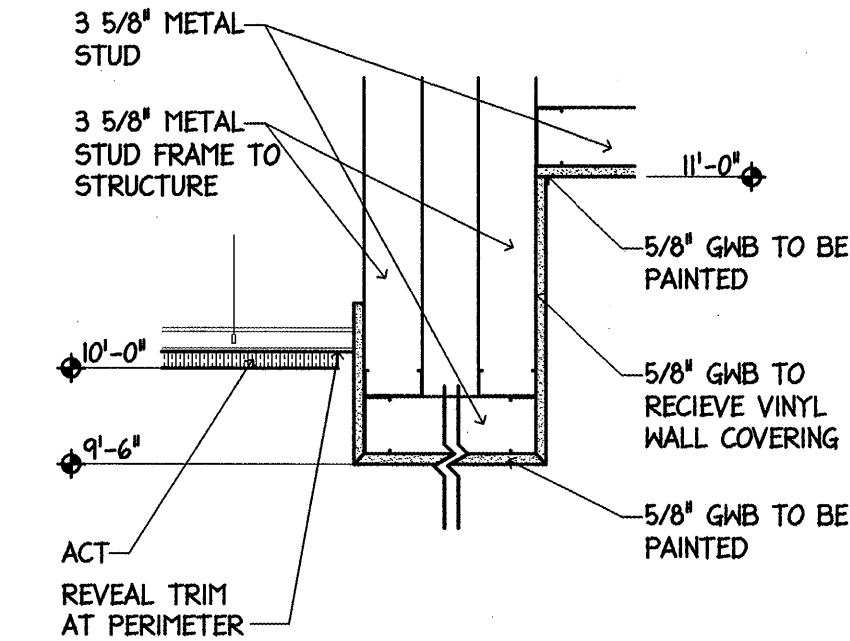
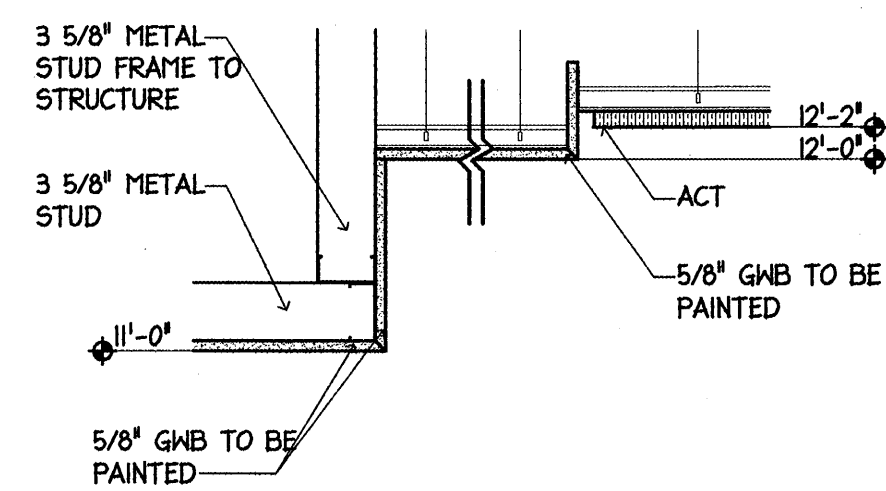


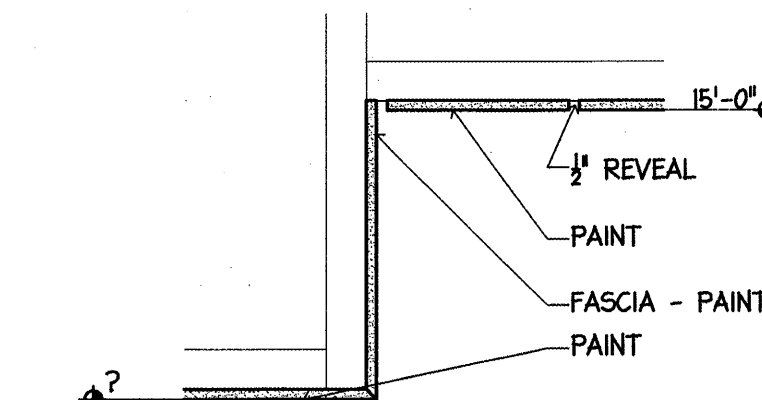
1 CEILING DETAIL AT FRONT DESK  
SCALE: 1" = 1'-0"



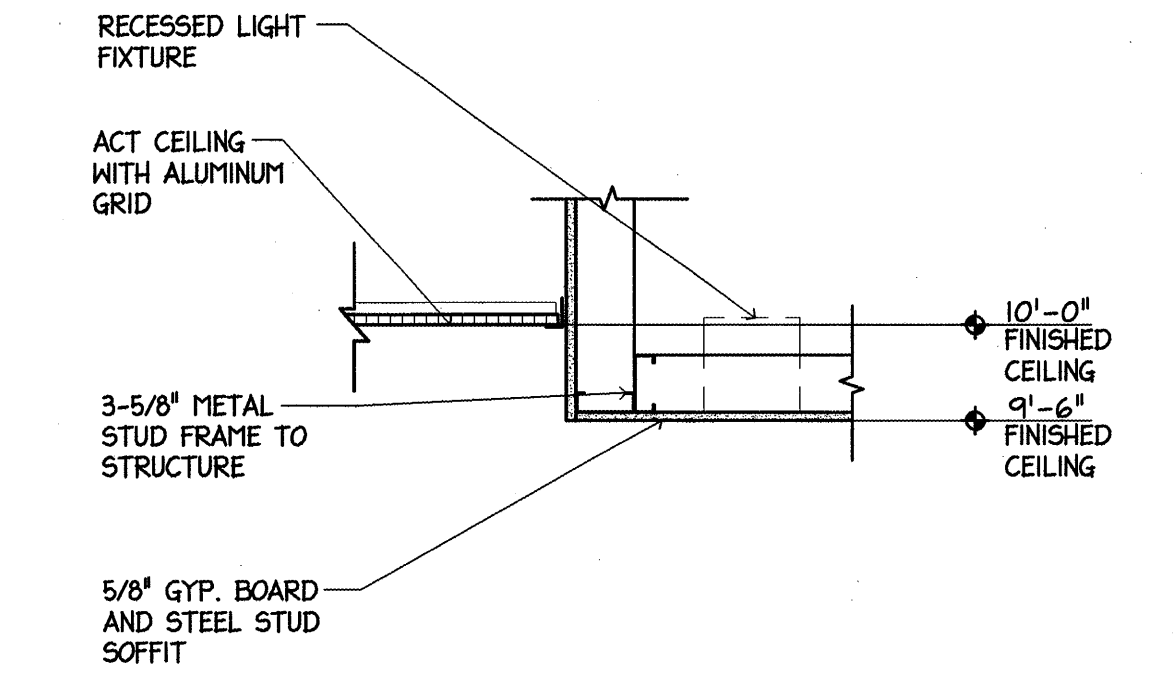
2 CEILING FASCIA AT HEARTH ROOM  
SCALE: 1" = 1'-0"



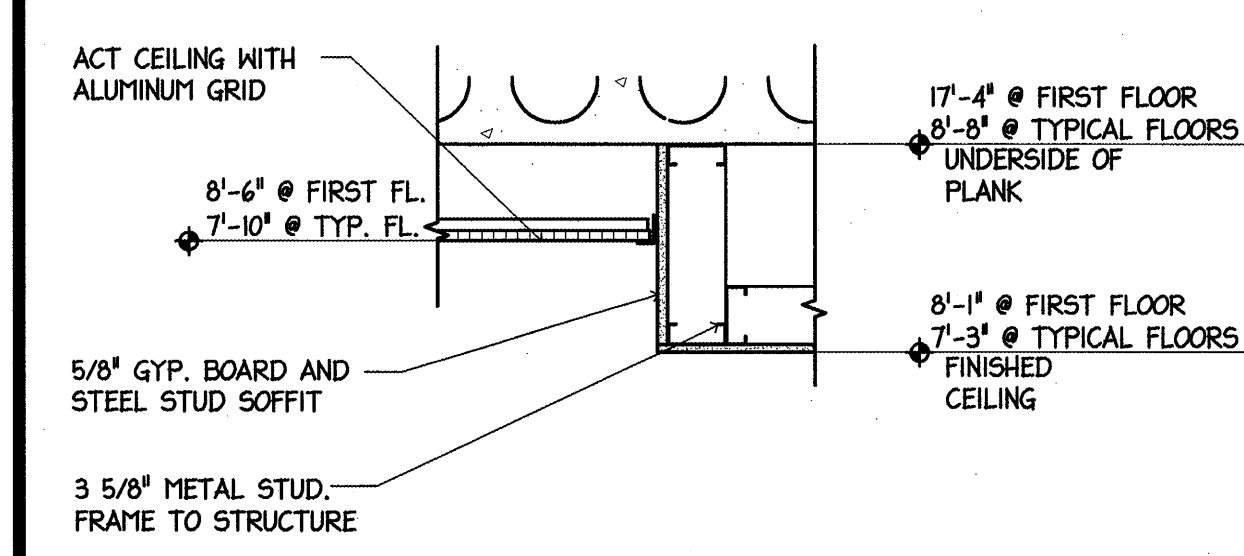
3 CEILING FASCIA  
SCALE: 1" = 1'-0"



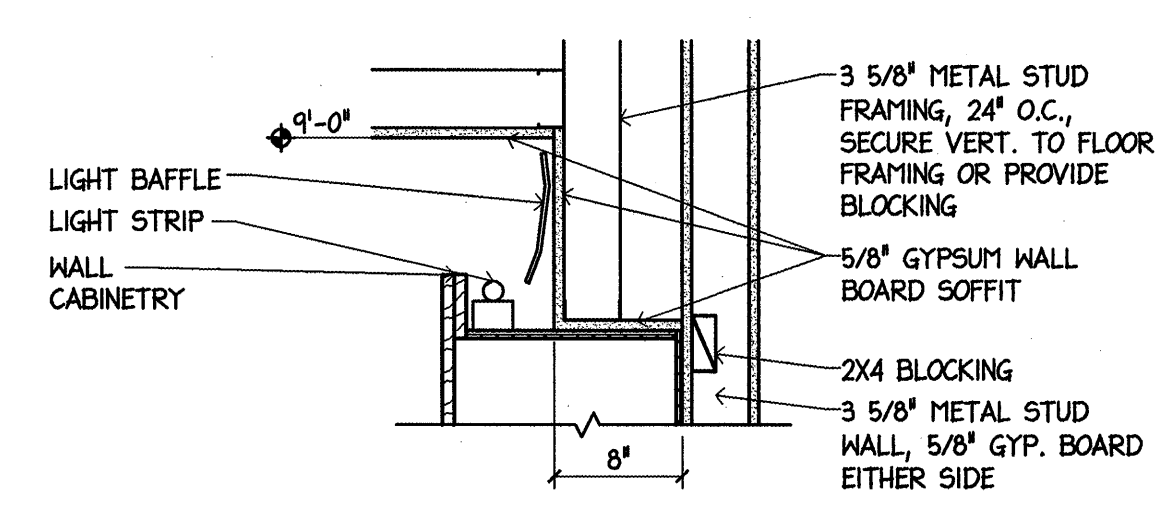
4 CEILING FASCIA  
SCALE: 1" = 1'-0"



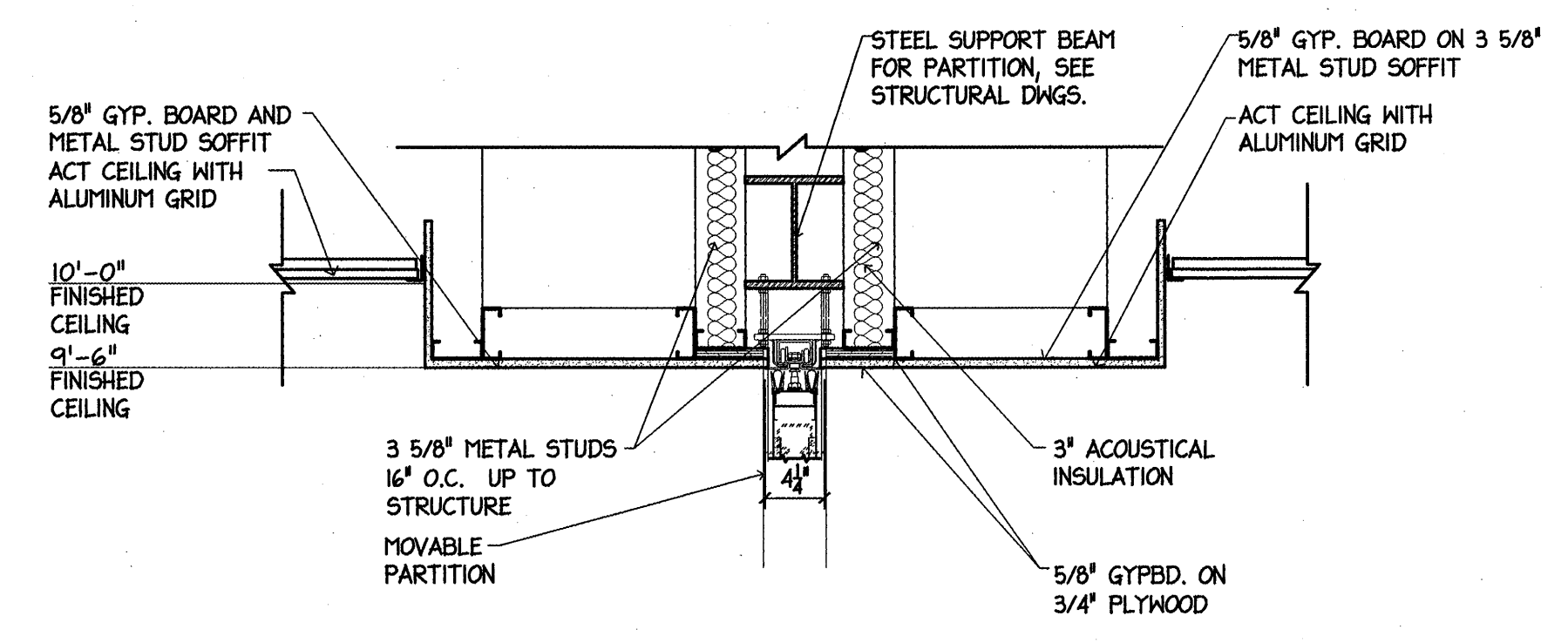
5 CEILING DETAIL AT MEETING ROOM  
SCALE: 1" = 1'-0"



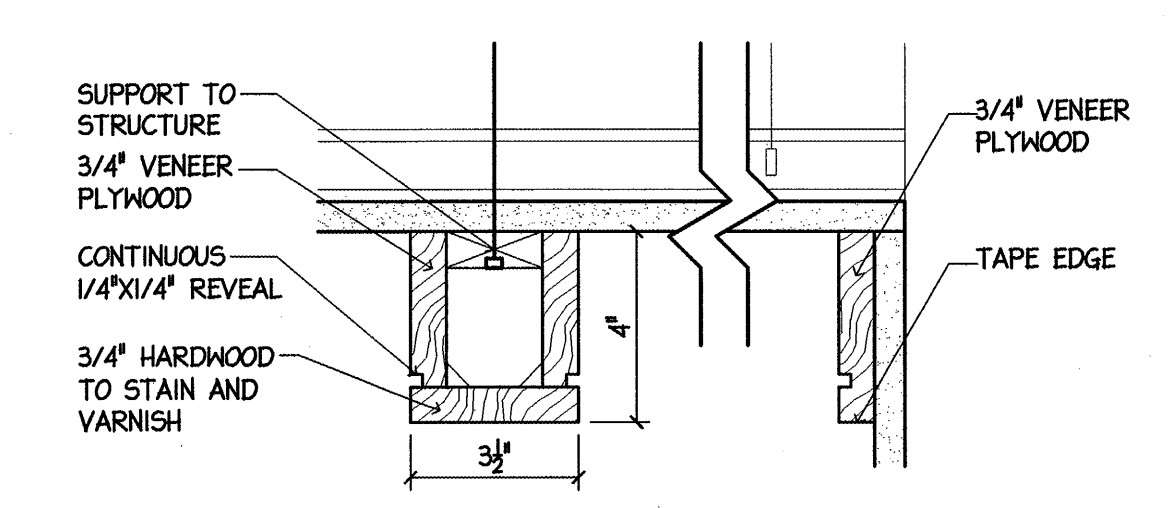
6 CEILING DETAIL AT GUESTROOM ENTRY  
SCALE: 1" = 1'-0"



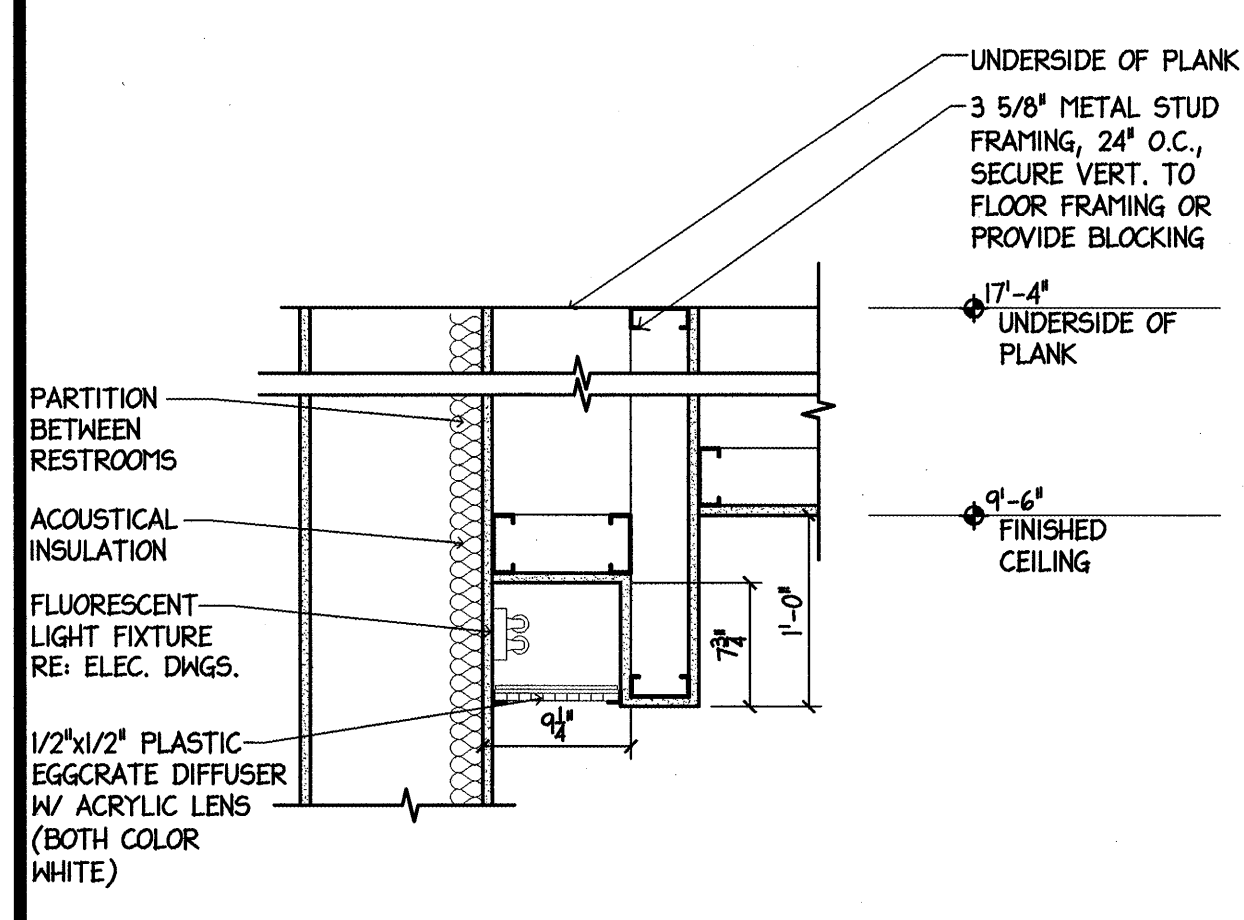
7 CEILING DETAIL AT BUFFET  
SCALE: 1" = 1'-0"



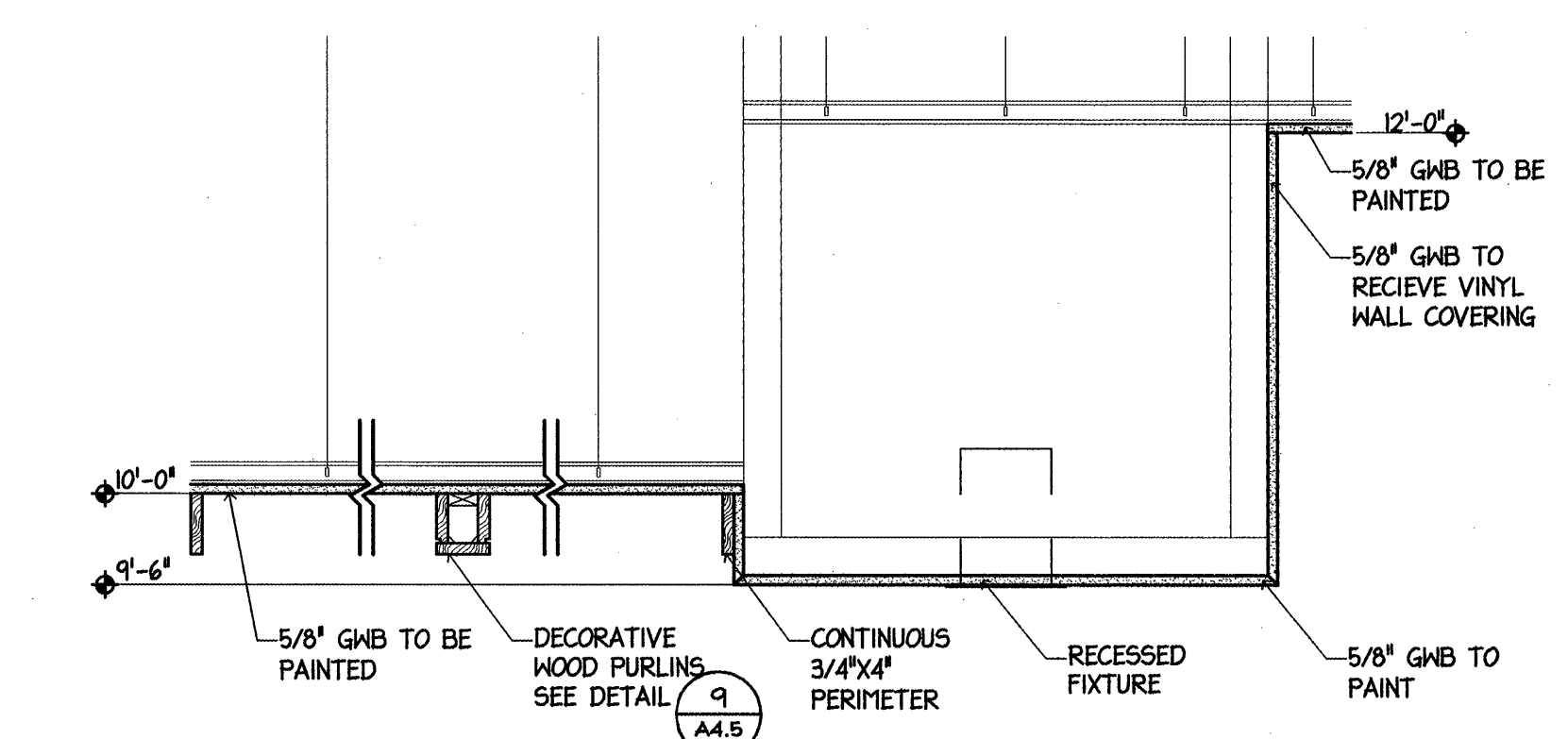
8 CEILING DETAIL AT MEETING ROOM  
SCALE: 1" = 1'-0"



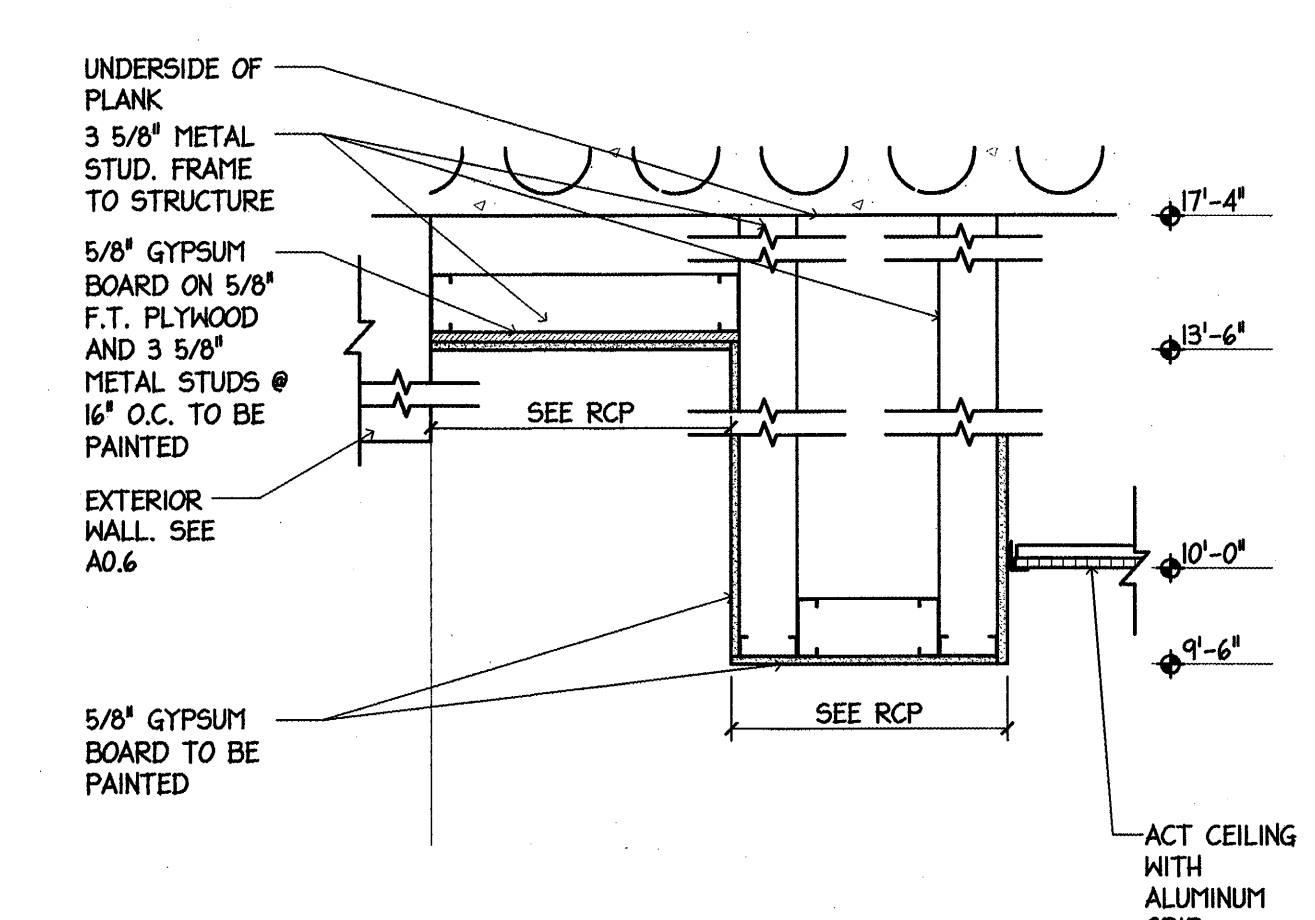
9 PURLIN DETAIL  
SCALE: 3" = 1'-0"



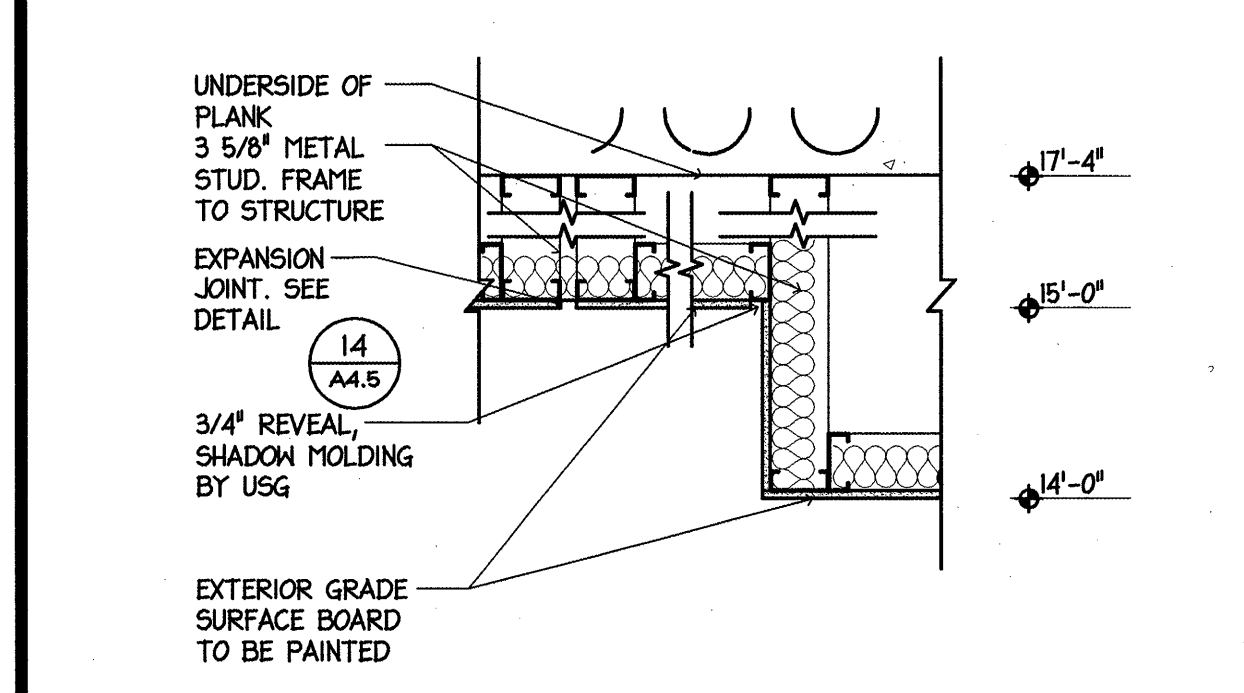
10 CEILING DETAIL AT PUBLIC RESTROOMS  
SCALE: 1" = 1'-0"



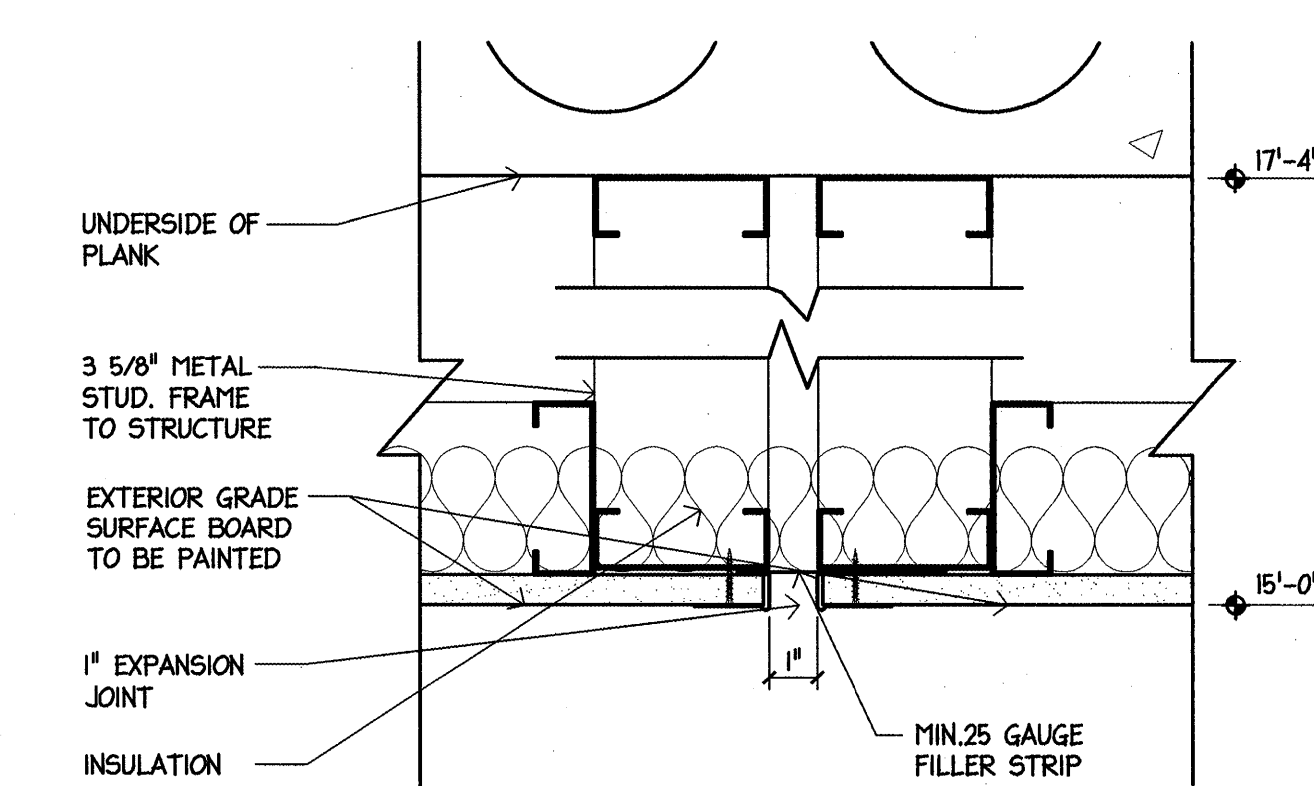
11 BREAKFAST AND HEARTH ROOM SOFFIT  
SCALE: 1" = 1'-0"



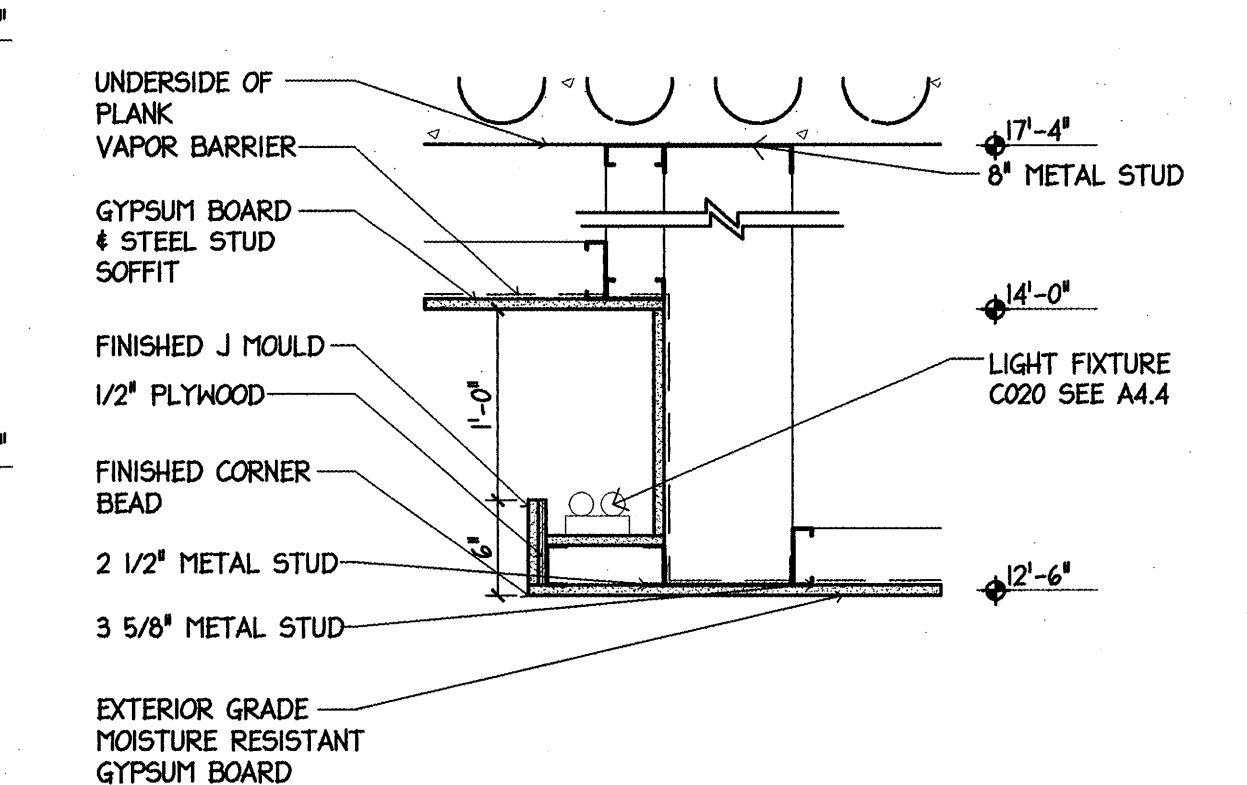
12 CEILING DETAIL AT MEETING ROOM  
SCALE: 1" = 1'-0"



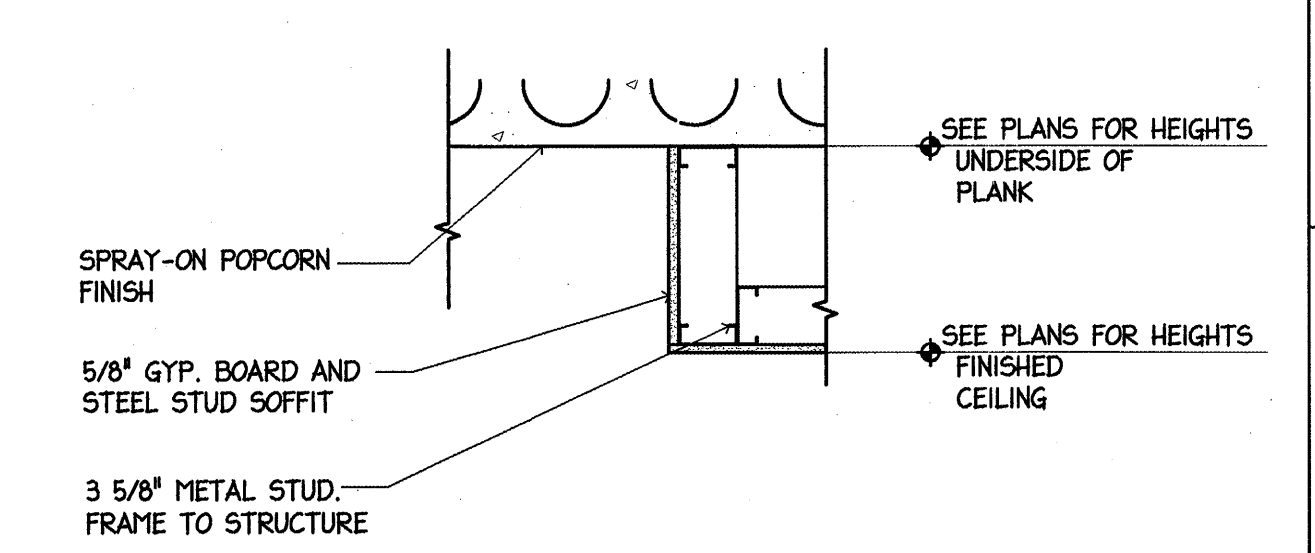
13 CEILING DETAIL AT VEHICULAR ENTRY  
SCALE: 1" = 1'-0"



14 CEILING DETAIL AT VEHICULAR ENTRY  
SCALE: 1" = 1'-0"



15 CEILING DETAIL AT POOL  
SCALE: 1" = 1'-0"



16 CEILING DETAIL AT GUESTROOMS (TYP)  
SCALE: 1" = 1'-0"

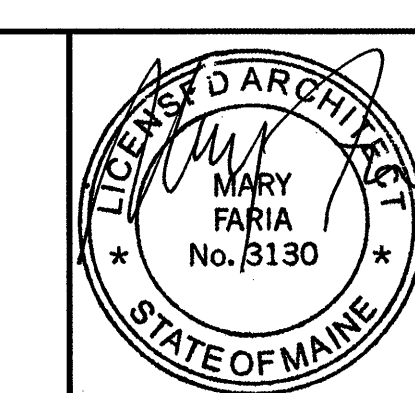
**LIGHT GAUGE FRAMING NOTE:**  
ALL LIGHT GAUGE FRAMING TO BE ENGINEERED AND DESIGNED BY AN ENGINEER LICENSED IN THE PROJECT STATE. SUBMIT DETAILED ENGINEERED STAMPED SHOP DRAWINGS FOR REVIEW AND APPROVAL.

**RCP DETAIL GENERAL NOTES:**

- DETAILS ARE SHOWN FOR STANDARD CONFIGURATION AND DIMENSIONS ONLY. REFER TO SPECIFICATIONS FOR CONSTRUCTION.
- SEE STRUCTURAL DRAWINGS FOR ALL STRUCTURAL DETAILS.
- SEE MECHANICAL DRAWINGS FOR HVAC AND EQUIPMENT COORDINATION.

PERMIT ISSUE - 09/27/07

NO.	REVISION	DATE
SCALE: As Noted	DRAWN BY: AVS/KW	CHECKED BY: JR



PROJECT  
**RESIDENCE INN BY MARRIOTT**  
PORTLAND, ME  
JOB# 802

TITLE  
**CEILING DETAILS**

GROUP ONE  
21 W. THIRD STREET, BOSTON, MA 02127  
TEL. (617)268-7000 FAX: (617)268-0209

DRAWING NO.  
**A4.5**