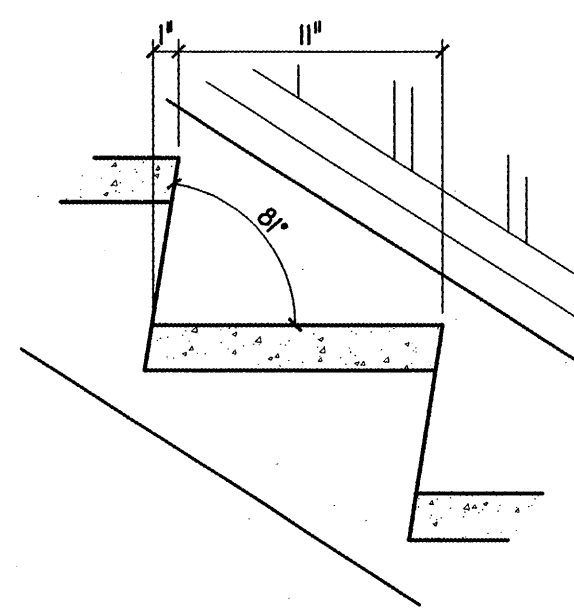
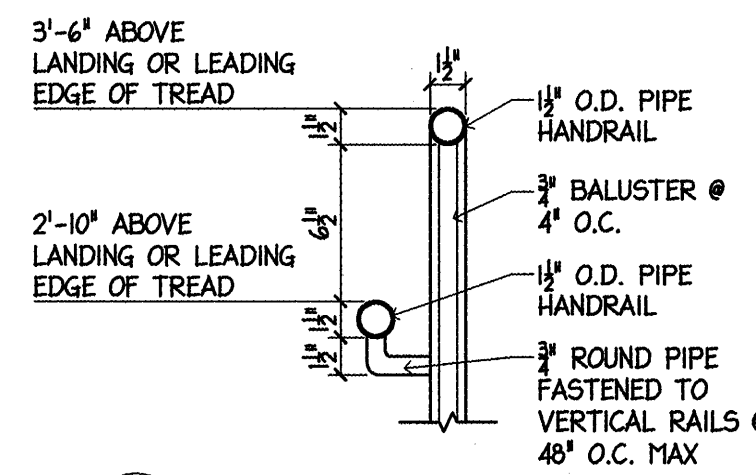


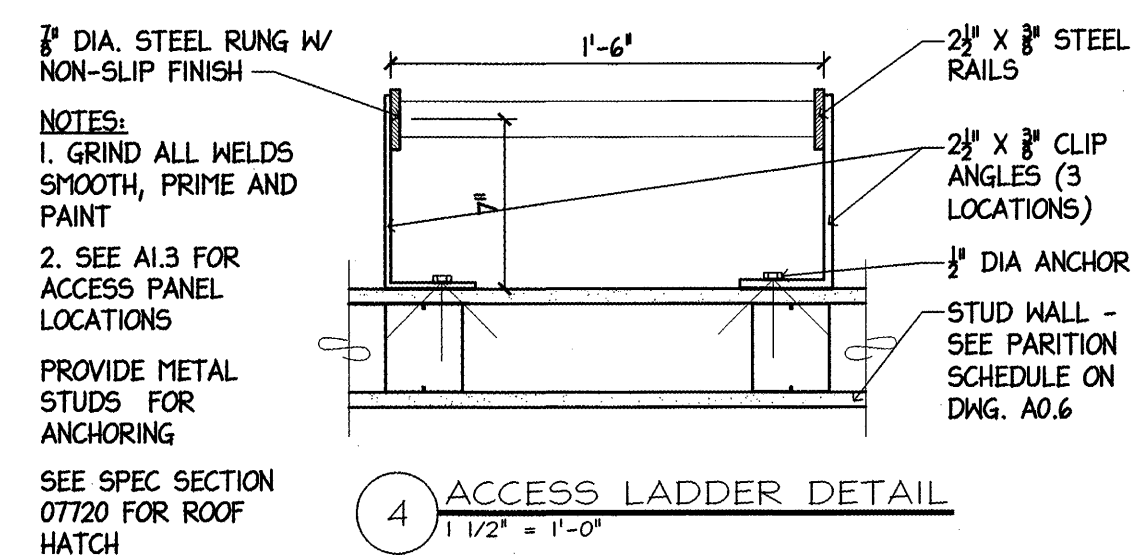
D STAIR #2 FIFTH FLOOR PLAN
1/4" = 1'-0"



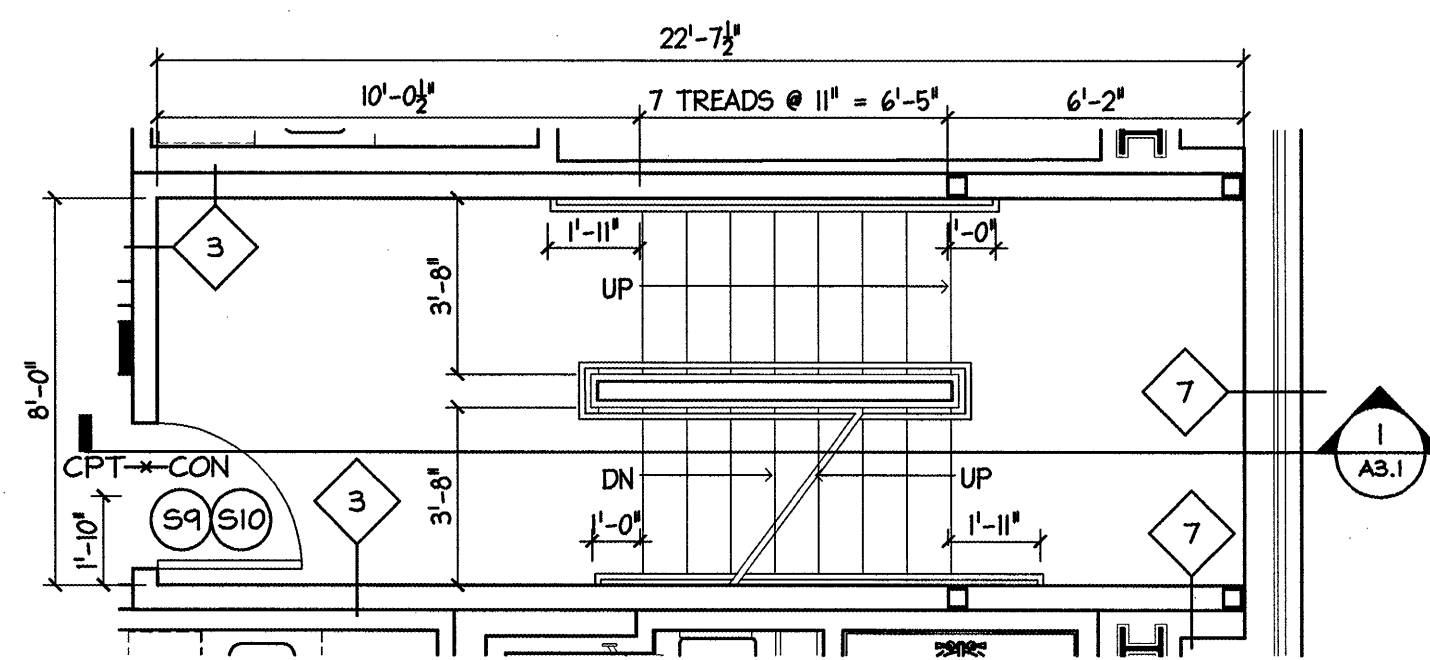
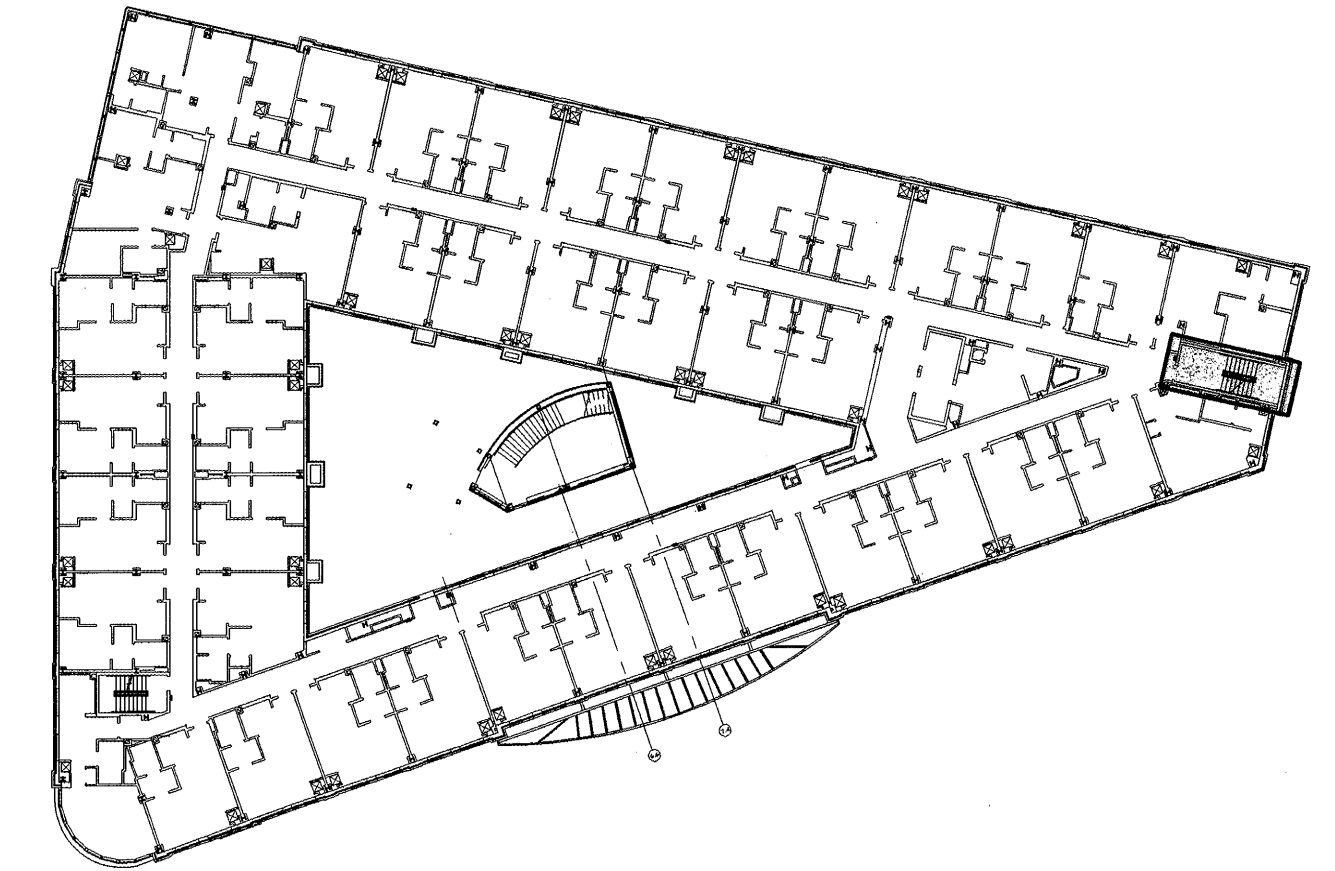
2 STAIR DETAIL
1/2" = 1'-0"



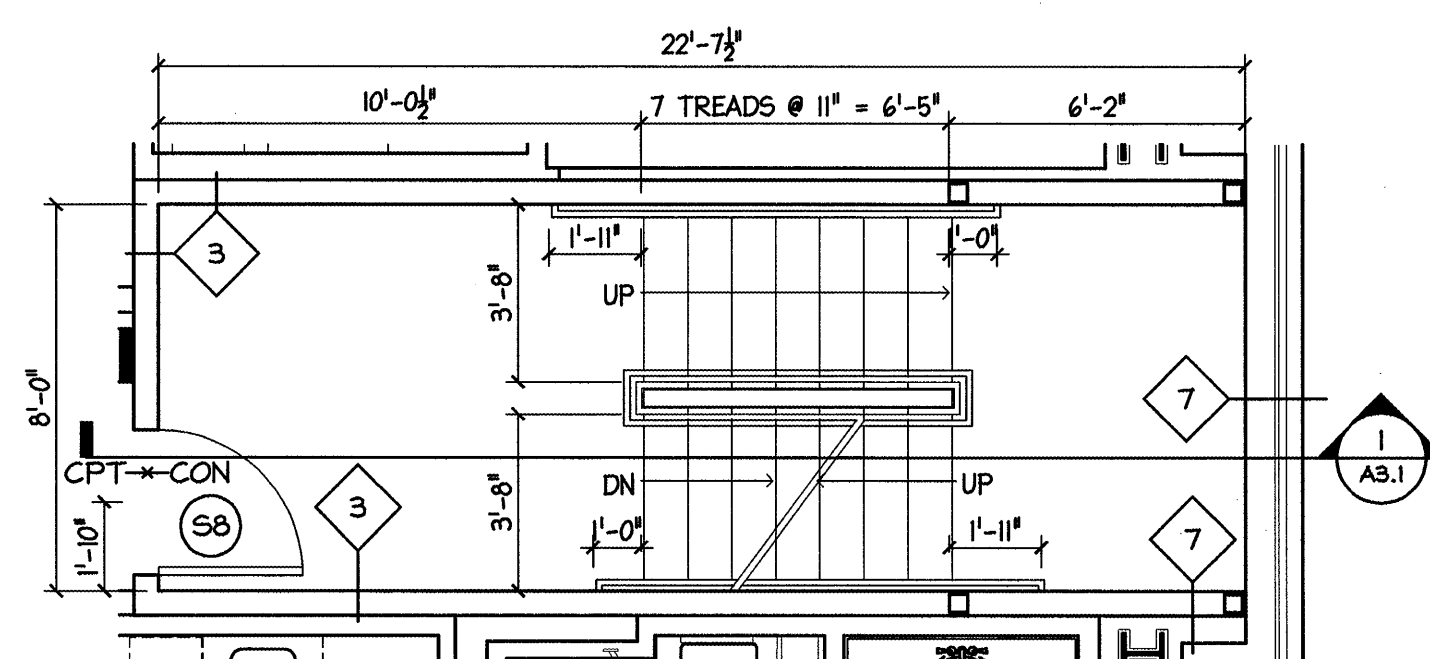
3 HANDRAIL DETAIL
1/2" = 1'-0"



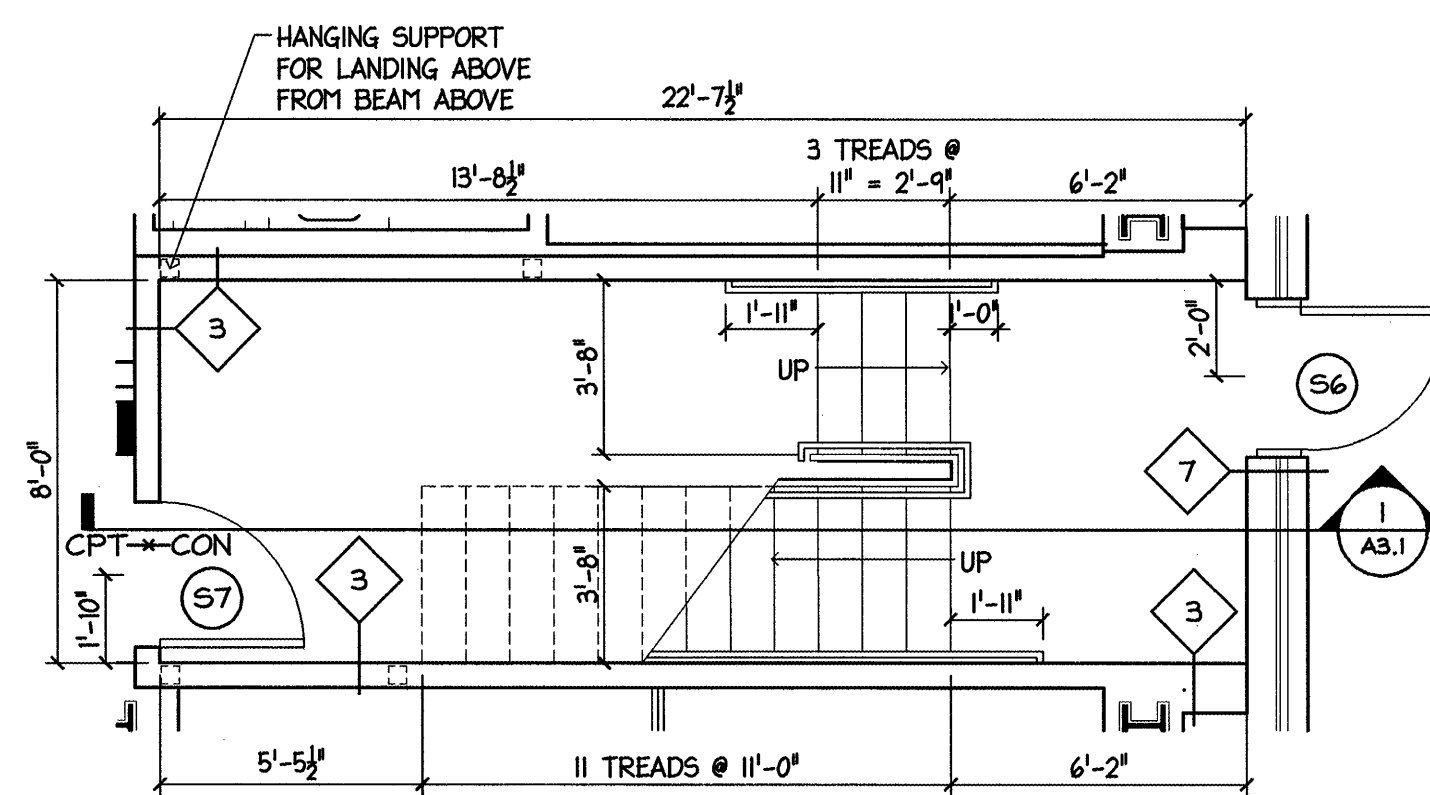
4 ACCESS LADDER DETAIL
1/2" = 1'-0"



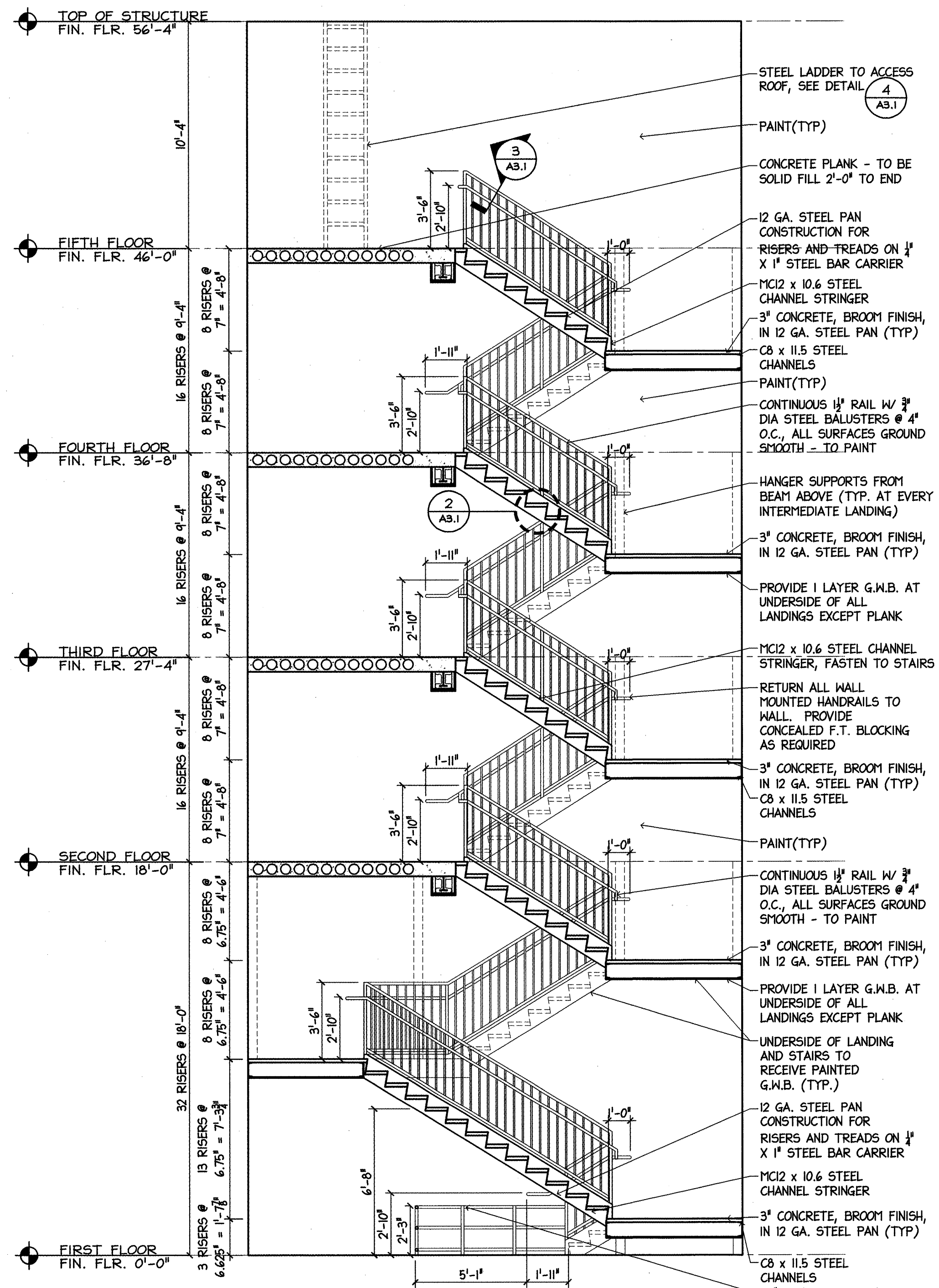
C STAIR #2 3RD-4TH FLOOR PLAN
1/4" = 1'-0"



B STAIR #2 SECOND FLOOR PLAN
1/4" = 1'-0"



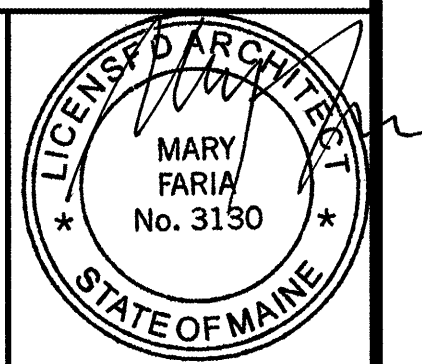
A STAIR #2 FIRST FLOOR PLAN
1/4" = 1'-0"



1 STAIR #2 SECTION
1/4" = 1'-0"

PERMIT ISSUE - 09/27/07

NO.	REVISION	DATE
SCALE: As Noted	DRAWN BY: AVS/ES	
DATE:	CHECKED BY: JR	



PROJECT
RESIDENCE INN BY MARRIOTT
PORTLAND, ME
JOB# 802
TITLE
EGRESS STAIR #2 PLANS, SECTIONS AND DETAILS

GROUP ONE
21 W. THIRD STREET, BOSTON, MA 02127
TEL: (617)268-7000 FAX: (617)268-0209

DRAWING NO.
A3.1