

SEE A1.20 FOR ELEC. SYMBOLS & CRITERIA NOTES

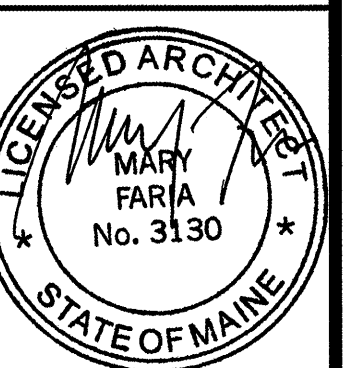
CEILING PLAN SYMBOLS

- XX- CEILING LIGHT FIXTURE SPECIFICATION CALLOUT, SEE SCHEDULE.
- XX- RECESSED LIGHTING FIXTURE SPECIFICATION CALLOUT, SEE SCHEDULE.
- XX- ENTRY SCONCE, J-BOX TO BE PROVIDED AT ___ A.F.F. SPECIFICATION CALLOUT, SEE SCHEDULE.
- XX- DECORATIVE SCONCE, SEE ELEV. FOR J-BOX HEIGHTS. SPECIFICATION CALLOUT, SEE SCHEDULE.
- XX- DECORATIVE BATH WALL LIGHT. SEE ELEV. FOR MOUNTING HEIGHTS.
- XXX- CEILING MATERIAL
- XXX- FINISH CEILING HEIGHT

- GENERAL NOTES:**
- BLOCKING TO BE PROVIDED FOR FFIE ACCESSORIES AND COORDINATED WITH FFIE SPECIFICATIONS.
 - BLOCKING TO BE 20 GA. METAL EXCEPT AT GRAB BARS TO BE F.T. 2X.
 - KITCHEN COUNTERS AND WELCOME SHELF TO HAVE FULLY ROUNDED EDGES. REFER TO DETAILS.
 - ALL DOORS TO BE 1'-10" TO CENTERLINE OF OPENING FROM FINISHED WALL UNLESS OTHERWISE NOTED
 - REFER TO SHEET A9.0 FOR ROOM FINISH SCHEDULE
 - SEE OVERALL PLANS FOR EXACT LOCATIONS OF ROLL-IN SHOWERS
 - PROVIDE COPPER-COIL WATER SUPPLY TO REFRIGERATOR ICE MAKER
 - REFER TO GUESTROOM DETAILS FOR TILE PLAN DETAILS
 - SEAL UNDERSIDE OF PLANK JOINTS WITH JOINT FILLER AND APPLY FIBERGLASS MESH BEFORE SKIM COATING AND FINAL FINISH

PERMIT ISSUE - 09/27/07

NO.	REVISION	DATE
SCALE: As Noted		DRAWN BY: ES
DATE:		CHECKED BY: JR



PROJECT
RESIDENCE INN BY MARRIOTT
PORTLAND, ME
JOB# 802

TITLE
GUESTROOMS - ELEVATIONS

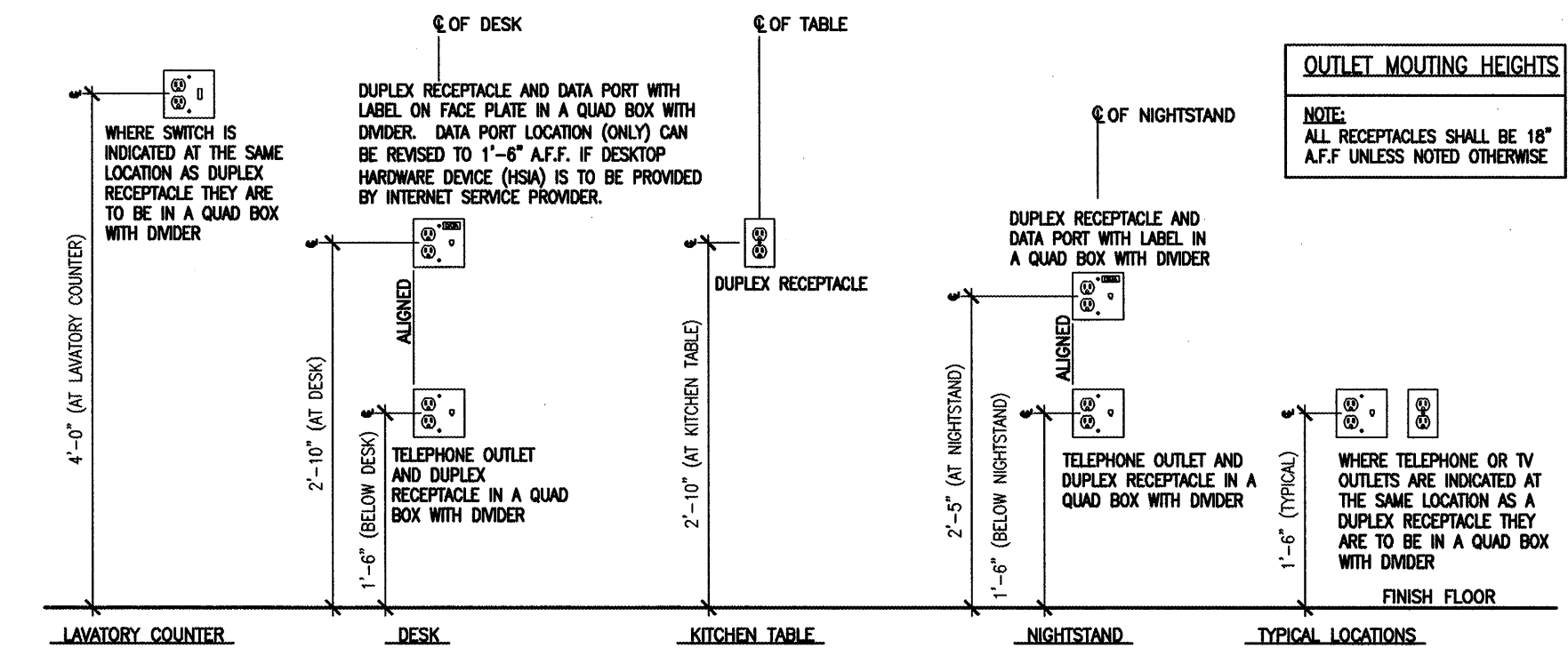
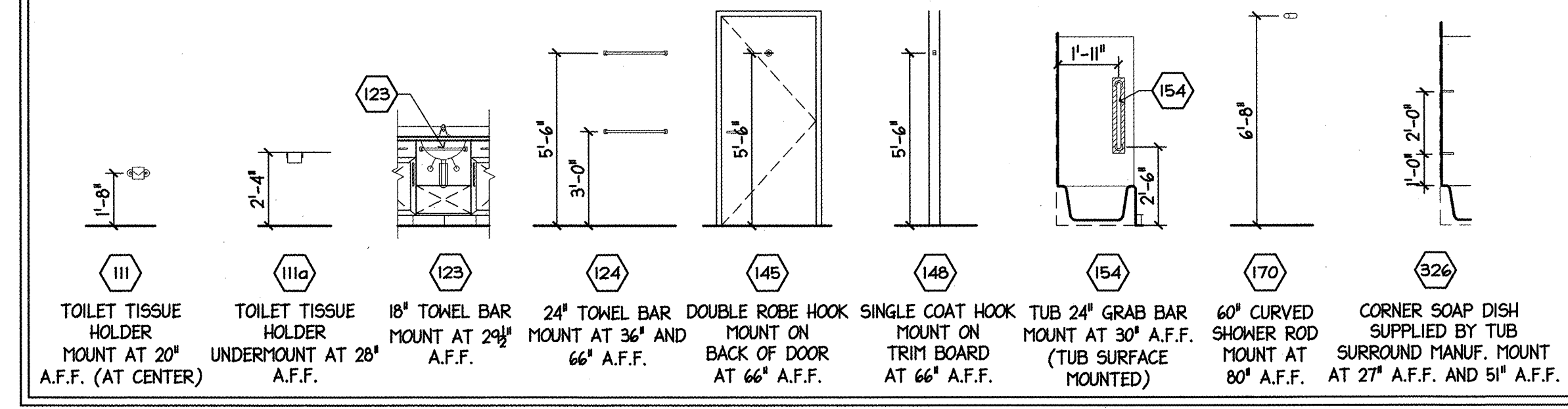
GROUP ONE
21 W. THIRD STREET, BOSTON, MA 02127
TEL: (617)268-7000 FAX: (617)268-0209

REFER TO A1.0-A1.2 FOR BRACE FRAMING WALL TYPE LOCATIONS

GUEST ROOM MATRIX

BEDROOM	1st	2nd	3rd	4th	5th	TOTAL
ONE BEDROOM 1	0	6	7	7	7	27
ONE BEDROOM 1 HEARING IMPAIRED	0	1	0	0	0	1
ONE BEDROOM 2	0	0	0	1	1	2
ONE BEDROOM 3 ADA	1	1	1	0	0	3
ONE BEDROOM 4 ADA	1	0	0	0	0	1
TWO BEDROOM 1	0	1	1	1	1	4
TWO BEDROOM 2	0	0	1	1	1	3
TWO BEDROOM 2 HEARING IMPAIRED	0	1	0	0	0	1
	2	10	10	10	10	42
STUDIO						
URBAN STUDIO 1	9	16	16	16	16	73
URBAN STUDIO 2	0	9	9	9	9	36
URBAN STUDIO 2 HEARING IMPAIRED	0	1	1	1	1	4
URBAN STUDIO 3	0	2	2	2	2	8
STUDIO 4	0	1	1	1	1	4
STUDIO 5	0	1	1	1	1	4
STUDIO 6	0	1	1	1	1	4
STUDIO 7 ADA	0	1	1	1	1	4
	9	32	32	32	32	137
TOTAL	11	42	42	42	42	179

TYPICAL BATHROOM ACCESSORIES: MOUNTING HEIGHTS



OUTLET MOUNTING HEIGHTS
NOTE: ALL RECEPTACLES SHALL BE 18" A.F.F. UNLESS NOTED OTHERWISE