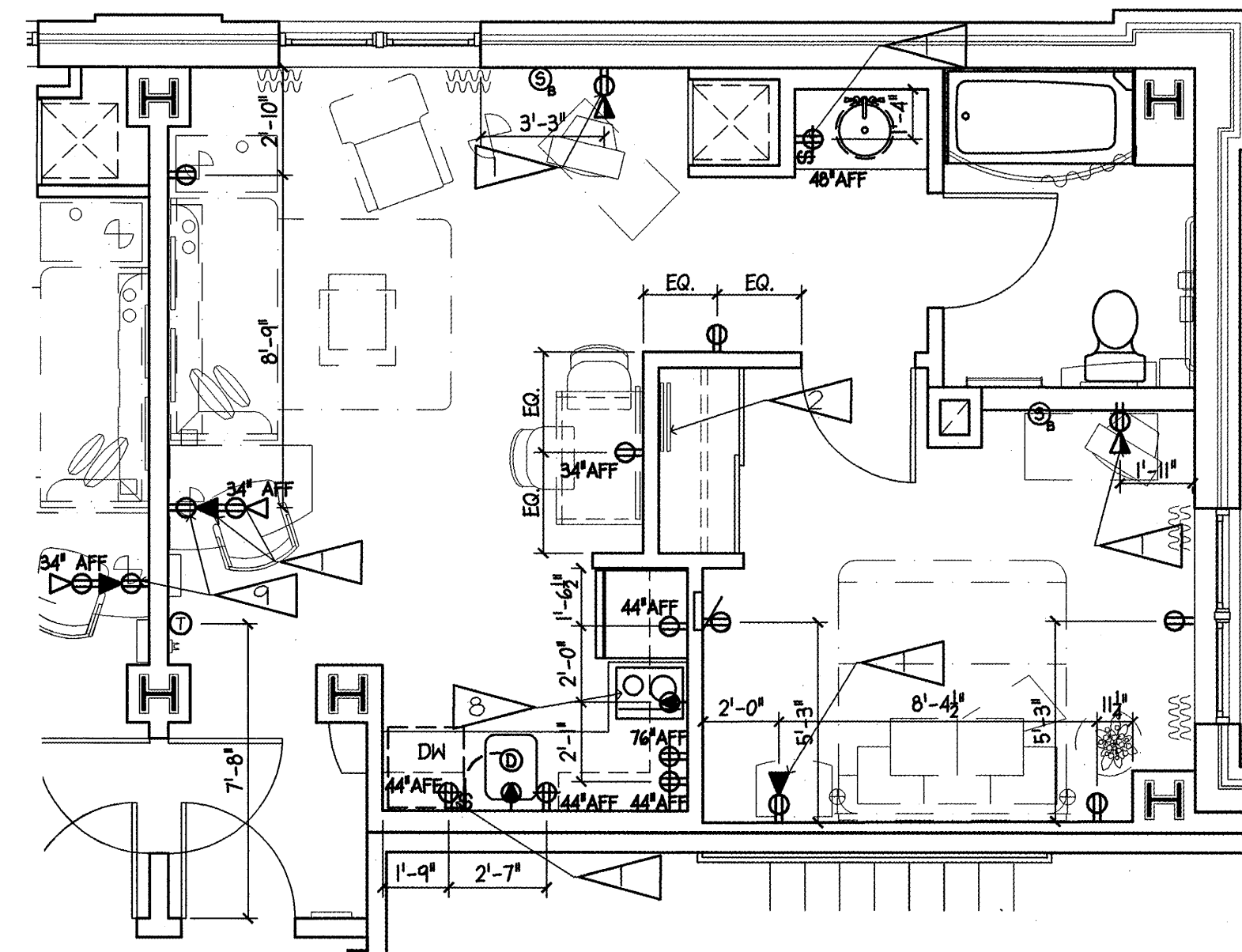
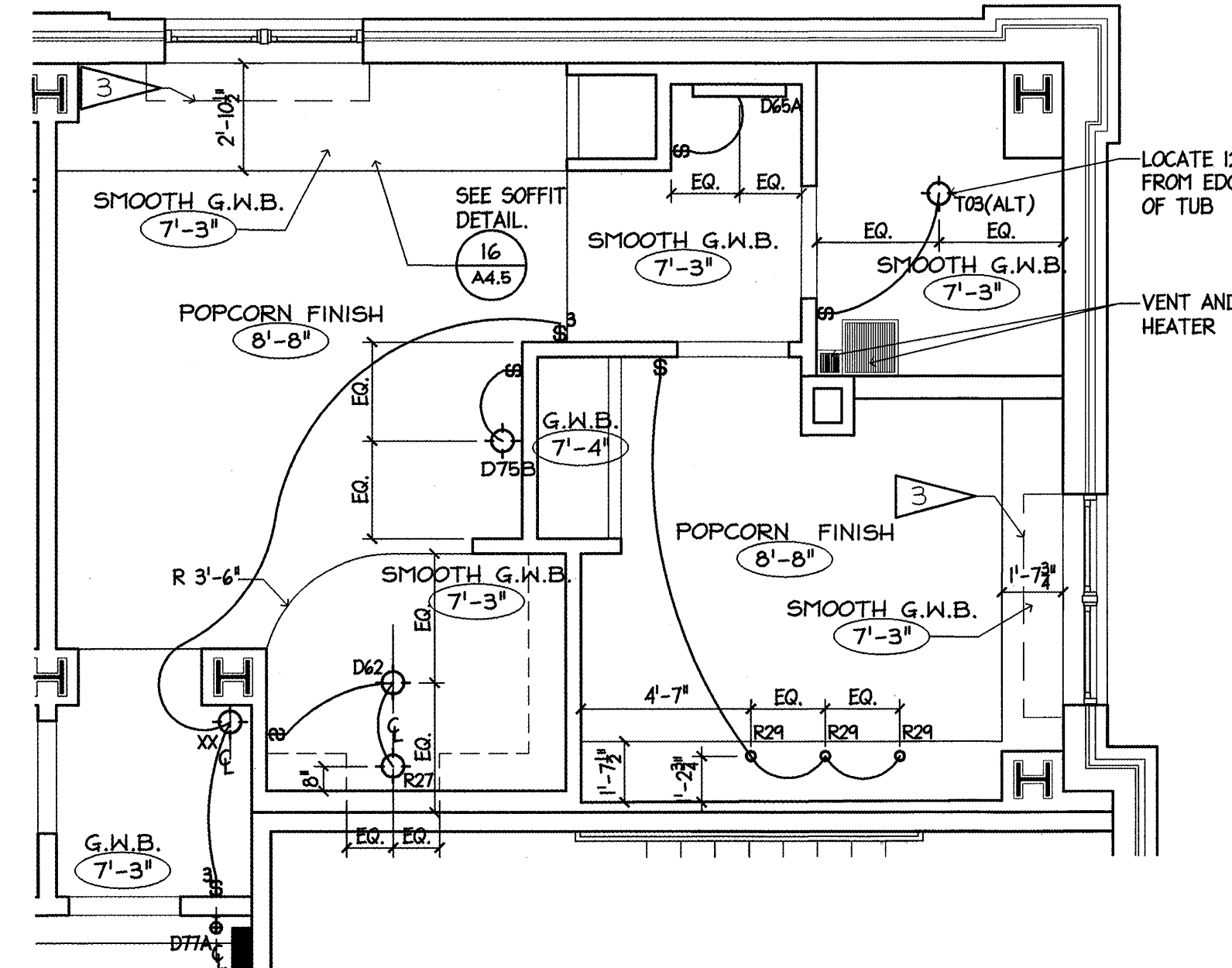


A) 1 BEDROOM 2 - ENLARGED FLOOR PLAN
1/4" = 1'-0"



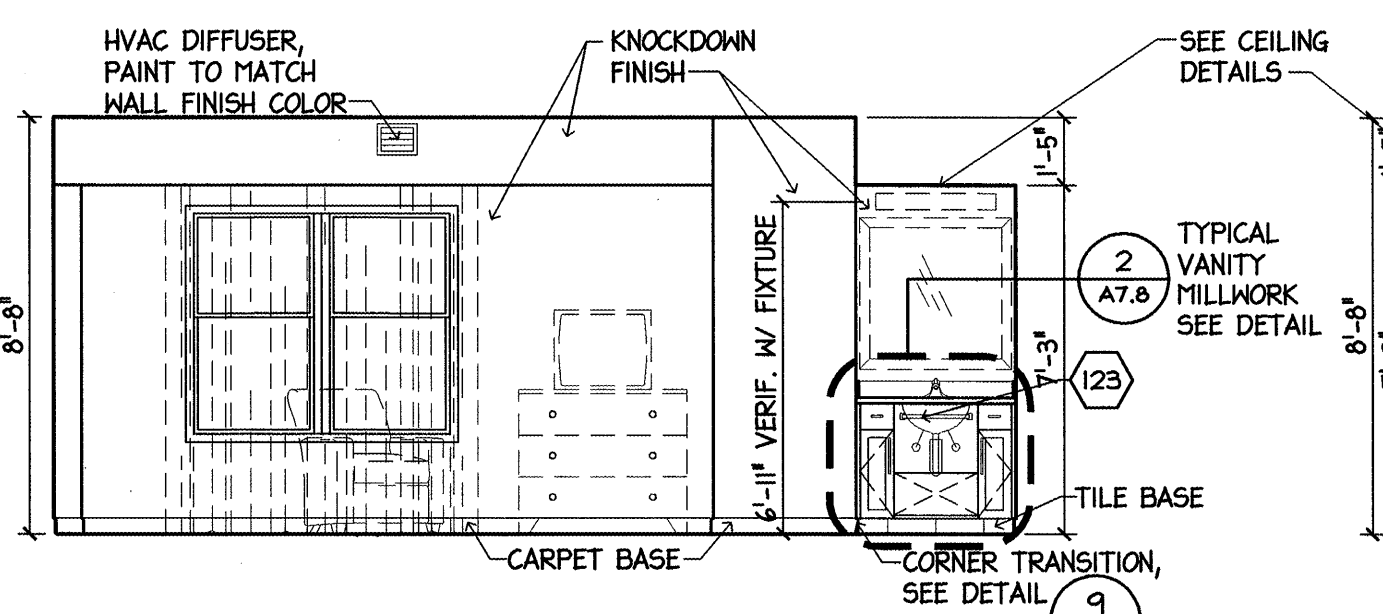
B) 1 BEDROOM 2 - ENLARGED POWER PLAN
1/4" = 1'-0"



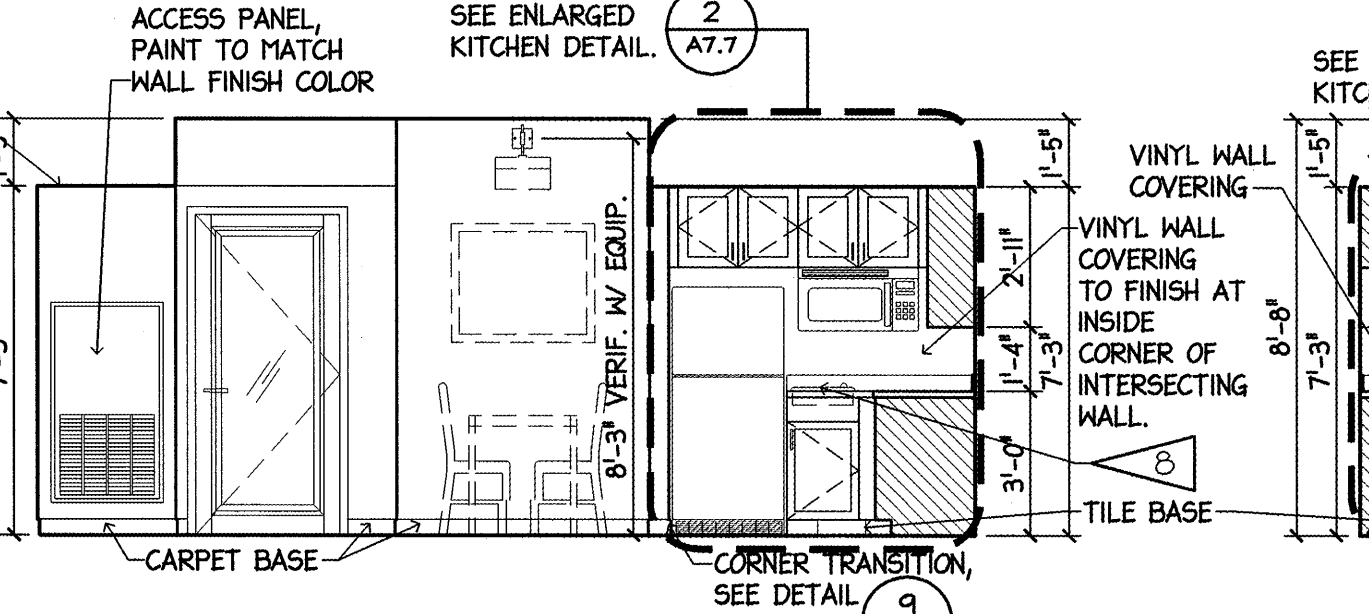
C) 1 BEDROOM 2 - ENLARGED REFLECTED CEILING PLAN
1/4" = 1'-0"

- ### ELECTRICAL SYMBOLS
- 3-WAY LIGHTING SWITCH +48" A.F.F.
 - TIMER SWITCH
 - TELEPHONE OUTLET, FLUSH WALL MOUNTED +24" A.F.F., UNLESS OTHERWISE NOTED.
 - TV OUTLET, FLUSH WALL MOUNTED +18" A.F.F., UNLESS OTHERWISE NOTED.
 - DATA OUTLET
 - GROUND FAULT INTERRUPTER, DUPLEX RECEPTACLE, OUTLETS TO BE MOUNTED AT 18" A.F.F. UNLESS OTHERWISE NOTED
 - SPECIAL PURPOSE OUTLET
 - DUPLEX RECEPTACLE, OUTLETS TO BE NOTED AT 18" A.F.F. UNLESS OTHERWISE NOTED.
 - THERMOSTAT (54" A.F.F. TO TOP, 48" ADA)
 - GARBAGE DISPOSAL
 - WALL MOUNTED CARBON MONOXIDE DETECTOR
 - TELEPHONE STROBE AT ACCESSIBLE & HEARING IMPAIRED ROOMS ONLY (80" A.F.F.)
 - GUEST ROOM STROBE LIGHT ON WALL IN ALL ACCESSIBLE & HEARING IMPAIRED GUEST ROOMS. TOP OF STROBE AT LEAST 6'-8" AFF BUT NO MORE THAN 8'-0" AFF WHILE MAINTAINING AT LEAST 6" BELOW CEILING.
 - GUEST ROOM SMOKE DETECTOR/HORN, WALL MOUNTED, LOCATE AT LEAST 4" BELOW CEILING BUT NO GREATER THAN 12" IN ALL GUEST ROOMS.
 - HORN STROBE FOR DOOR SIGNAL FOR HEARING IMPAIRED AND ACCESSIBLE ROOMS ONLY.
 - 2-GANG BOX WITH TRANSFORMER FOR DOOR SIGNAL
 - PUSH BUTTON FOR DOOR SIGNAL
 - DOORBELL DISCONNECT SWITCH AT ACCESSIBLE & HEARING IMPAIRED ROOMS ONLY
 - ELECTRICAL PANEL
 - POWER SUPPLY FOR DISHWASHER CONNECTION
 - CORNER GUARDS AT ALL OUTSIDE CORNERS IN GUESTROOM CORRIDOR

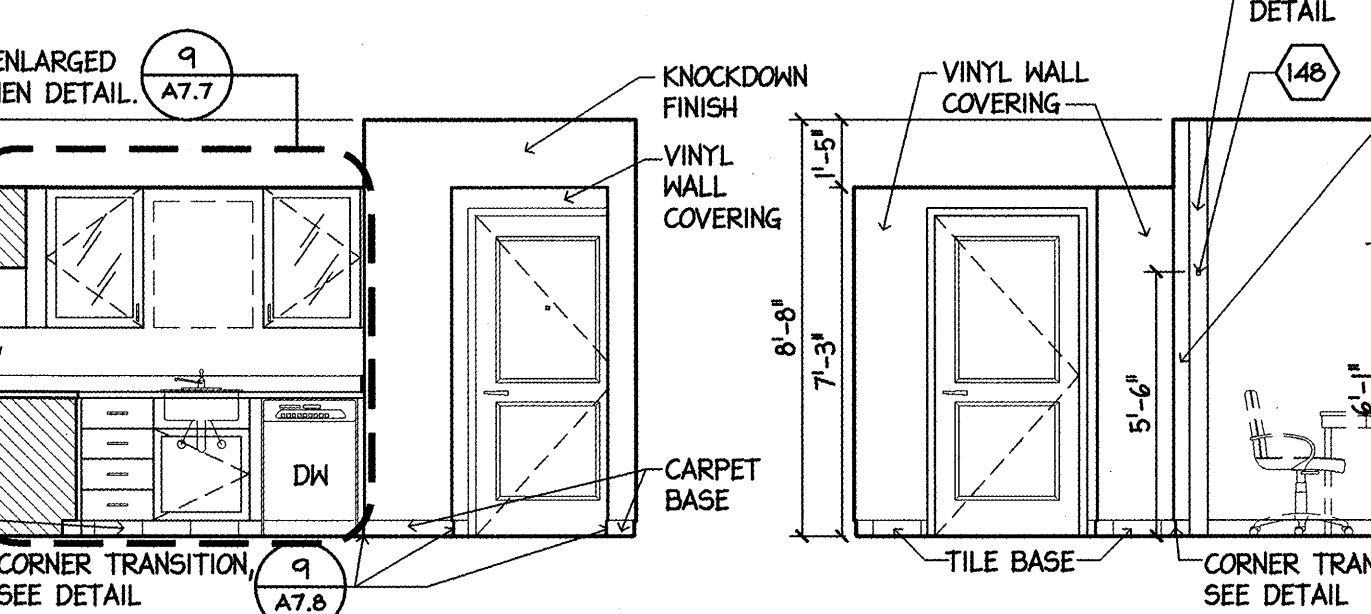
- ### CRITERIA NOTES
- GANG DEVICES AT THIS LOCATION. REFER TO ELECTRICAL DRAWINGS.
 - MOUNT IRONING BOARD AND IRON RACK AT 72" AFF. PROVIDE BLOCKING AT WALL.
 - PROVIDE 3/4" PLYWOOD BLOCKING COVERED WITH GNS FOR VALENCE AND/OR DRAPERY HARDWARE INSTALLATION. EXTEND 7" MIN. BEYOND EACH SIDE OF WINDOW JAMB AND 12" FROM FACE OF WALL. COORDINATE BLOCKING WITH FFIE SPEC. VALENCE CONDITION AT FIRST FLOOR ONLY, SEE SPEC. VALENCE TO B E WALL MOUNTED AT
 - WIRE SHELF WITH ROD AT 68" AFF
 - WIRE SHELF WITH ROD AT 48" AFF. AND WITH SHELF STACK. (AT ACCESSIBLE ROOMS ONLY.)
 - SHOWER HEAD ROUGH-IN AT 6'-10" A.F.F. AND SHOWER ROD AT 6'-8" A.F.F.
 - PROVIDE WOOD CASING AROUND OPENING TO CLOSET - 1 1/2" V.I.F.
 - SET COOKTOP WITH CONTROLS AWAY FROM REFRIGERATOR.
 - BACK TO BACK OUTLETS TO BE IN SEPARATE STUD BAYS AND 2'-0" MIN. APART TYP. WHERE NOT POSSIBLE, PROVIDE FIRESTOPPING PUTTY PACK. NO BACK TO BACK OUTLETS.
 - CABINET DOORS SLIDE INTO CABINET WHEN FULLY OPENED IN ACCESSIBLE ROOMS ONLY. EXTEND FLOORING TO WALL BELOW CABINET OPEN TOE SPACE.
 - INSULATE EXPOSED HOT WATER PIPING AND DRAIN LINES.
 - CLEAR DIMENSIONS TO BE VERIFIED WITH FIXTURE OR EQUIPMENT MANUFACTURER SPECIFICATIONS.
 - AT ACCESSIBLE ROOMS AND HEARING IMPAIRED ROOMS ONLY.



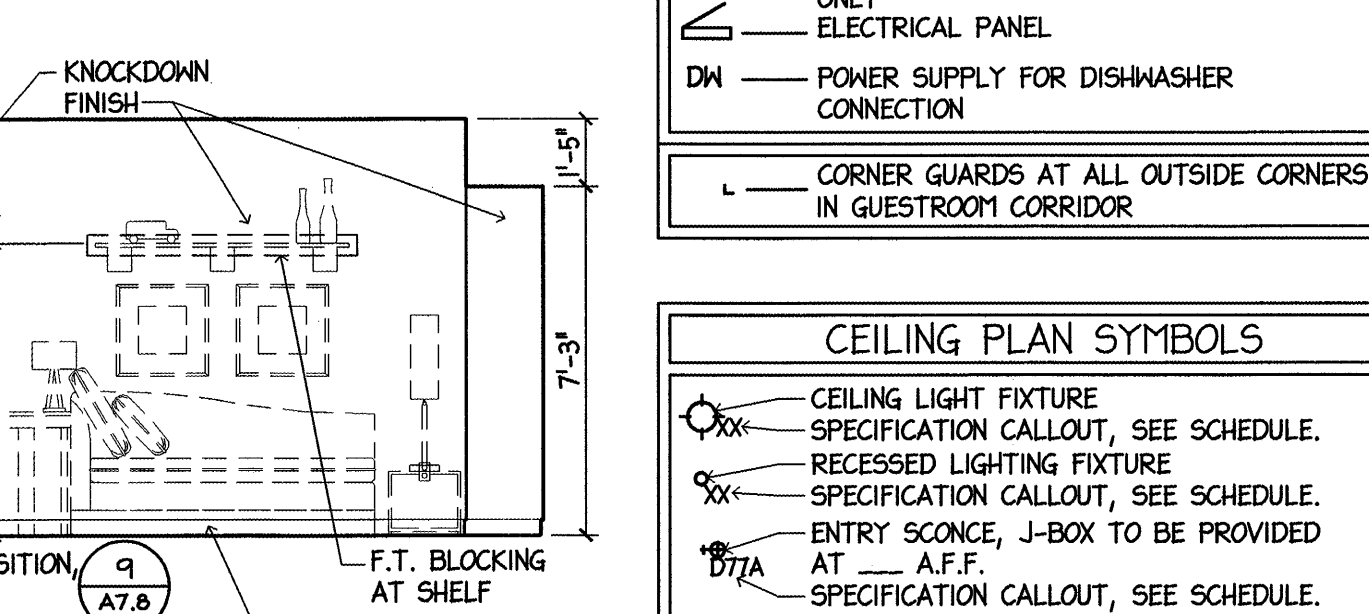
1) 1 BEDROOM 2 ELEVATION
1/4" = 1'-0"



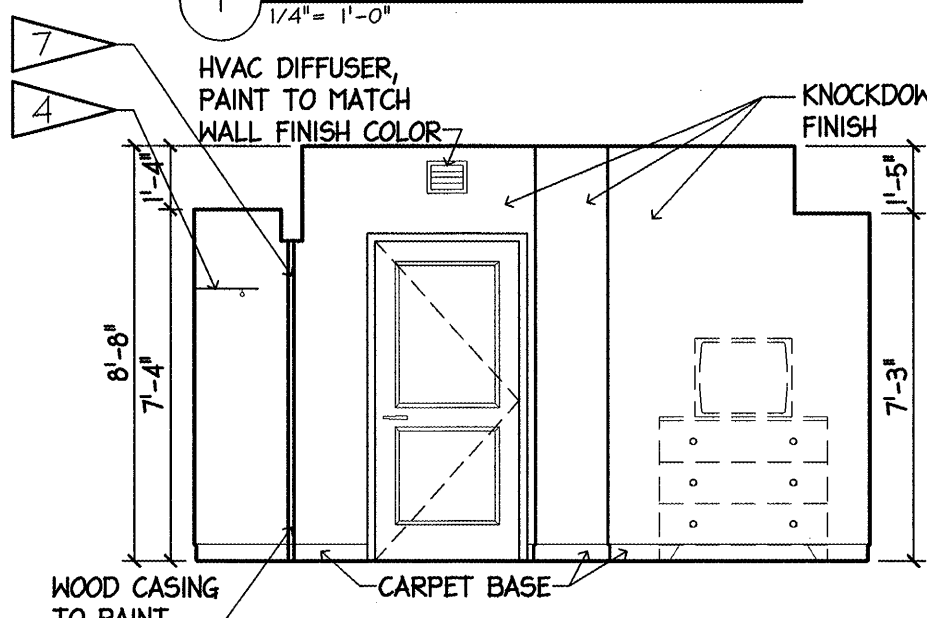
2) 1 BEDROOM 2 ELEVATION
1/4" = 1'-0"



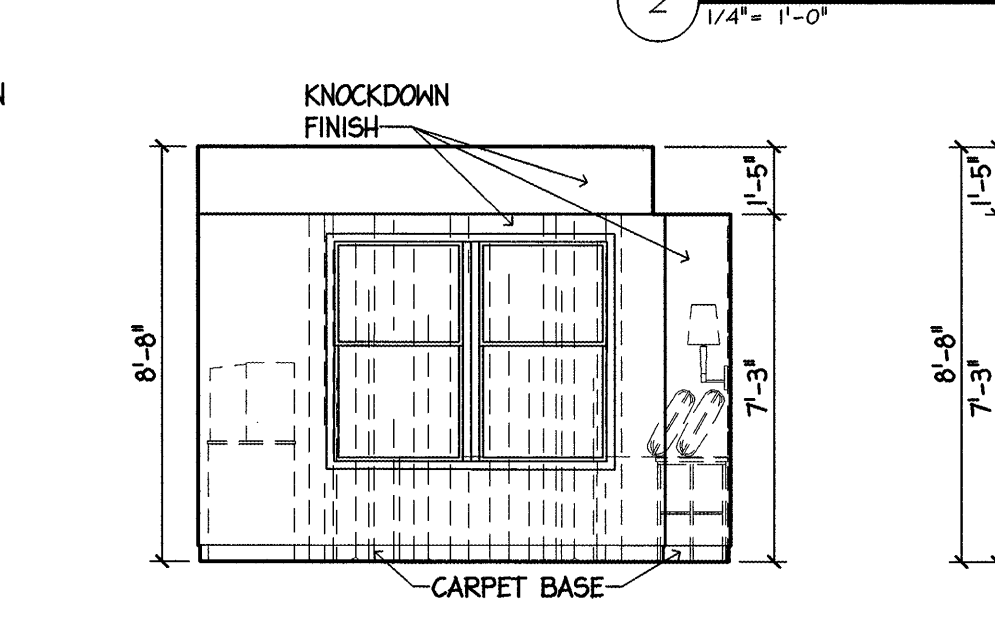
3) 1 BEDROOM 2 ELEVATION
1/4" = 1'-0"



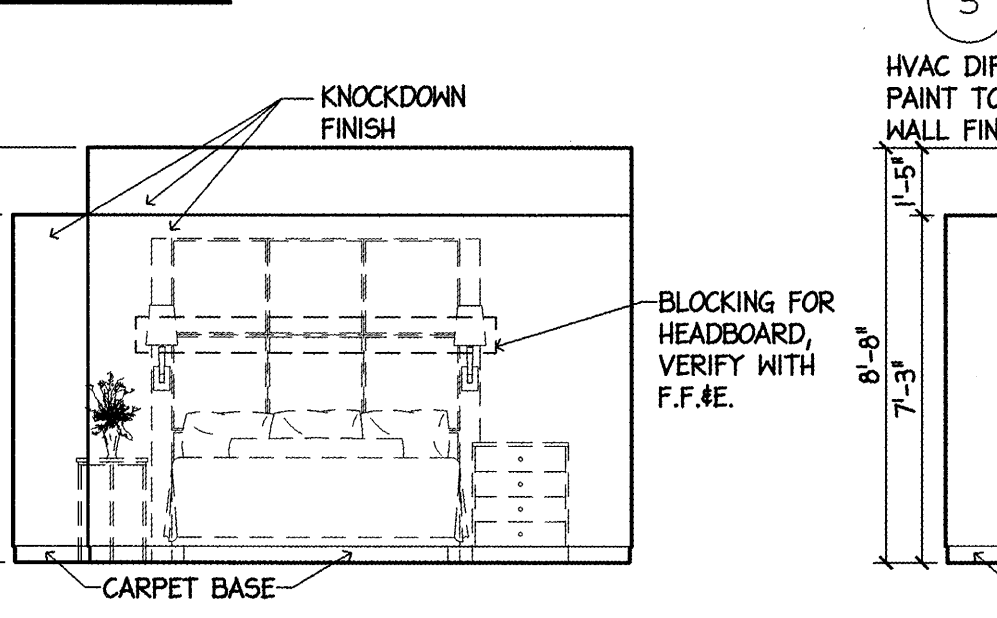
4) 1 BEDROOM 2 ELEVATION
1/4" = 1'-0"



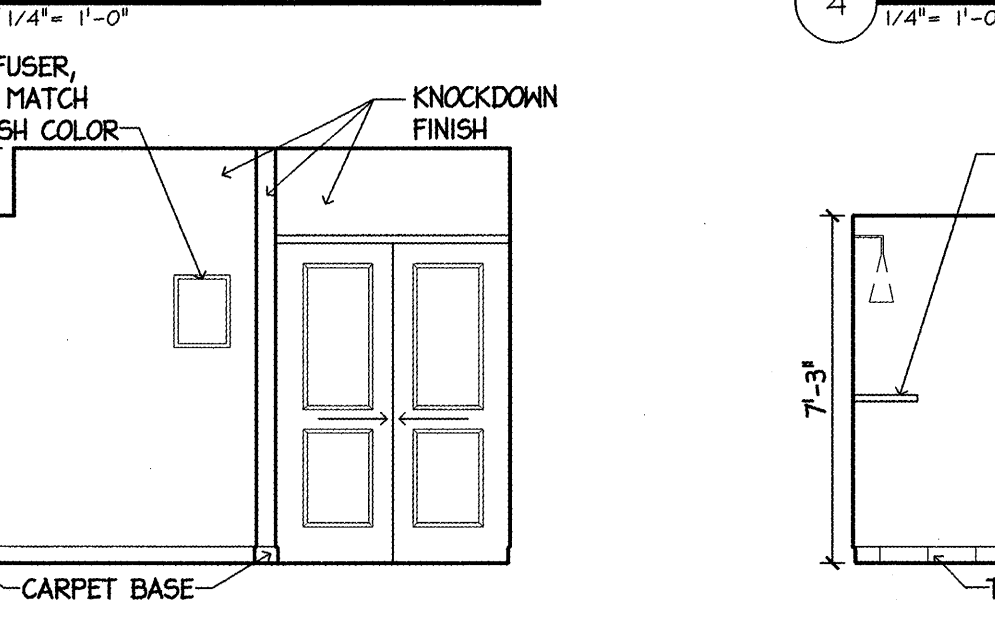
5) 1 BEDROOM 2 ELEVATION
1/4" = 1'-0"



6) 1 BEDROOM 2 ELEVATION
1/4" = 1'-0"



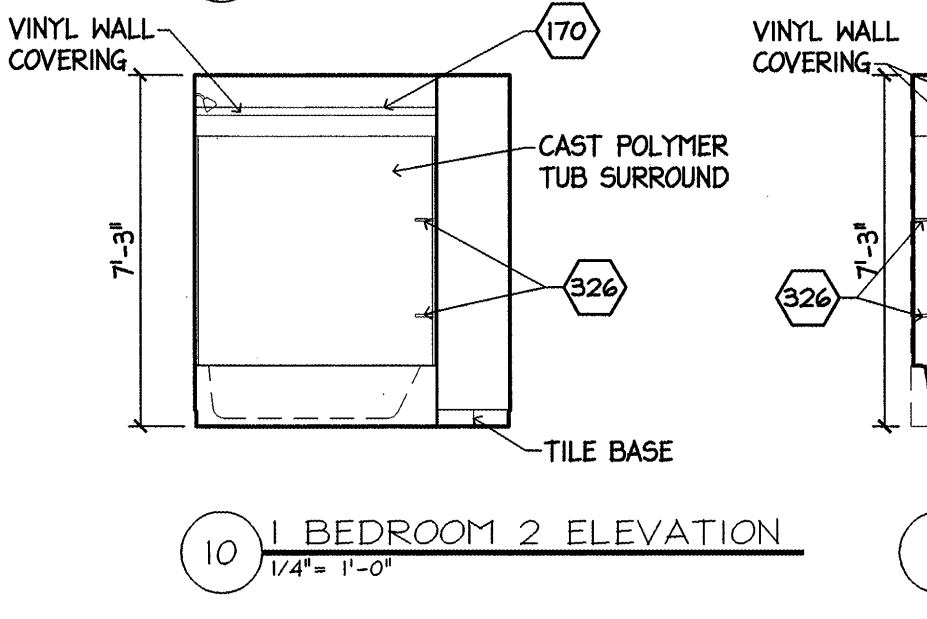
7) 1 BEDROOM 2 ELEVATION
1/4" = 1'-0"



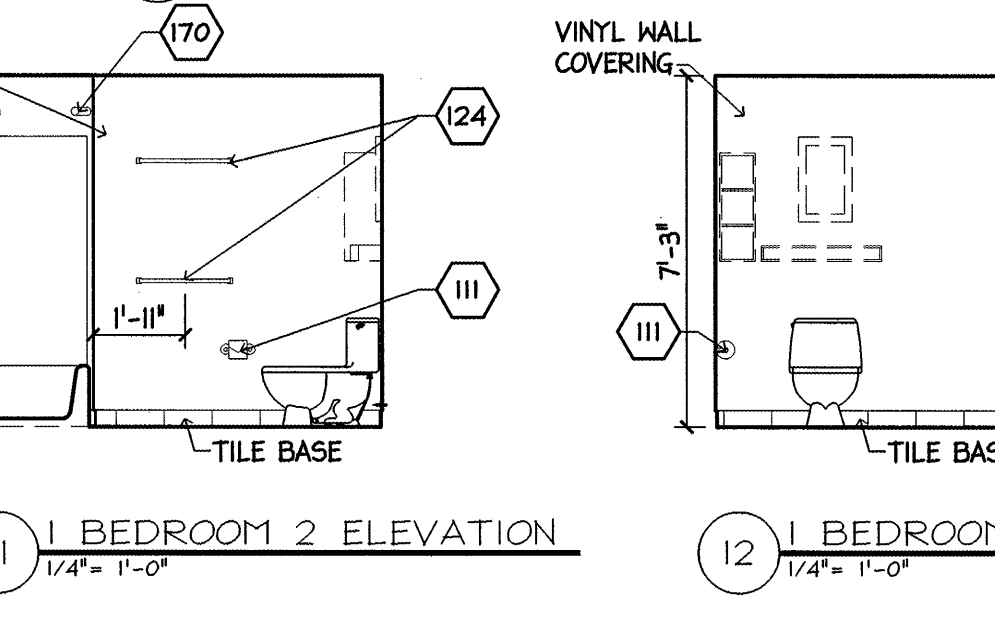
8) 1 BEDROOM 2 ELEVATION
1/4" = 1'-0"



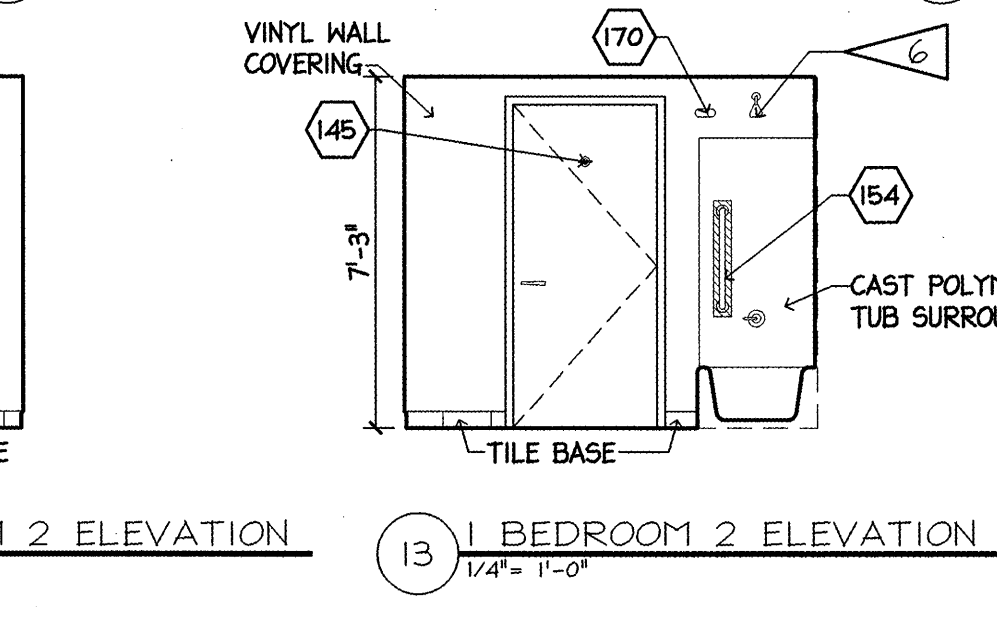
9) 1 BEDROOM 2 ELEVATION
1/4" = 1'-0"



10) 1 BEDROOM 2 ELEVATION
1/4" = 1'-0"



11) 1 BEDROOM 2 ELEVATION
1/4" = 1'-0"



12) 1 BEDROOM 2 ELEVATION
1/4" = 1'-0"



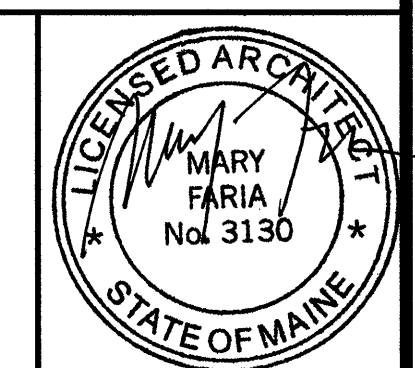
13) 1 BEDROOM 2 ELEVATION
1/4" = 1'-0"

- ### CEILING PLAN SYMBOLS
- CEILING LIGHT FIXTURE SPECIFICATION CALLOUT, SEE SCHEDULE.
 - RECESSED LIGHTING FIXTURE SPECIFICATION CALLOUT, SEE SCHEDULE.
 - ENTRY SCENE, J-BOX TO BE PROVIDED AT --- A.F.F.
 - SPECIFICATION CALLOUT, SEE SCHEDULE.
 - DECORATIVE SCENE, SEE ELEV FOR J-BOX HEIGHTS.
 - SPECIFICATION CALLOUT, SEE SCHEDULE.
 - DECORATIVE BATH WALL LIGHT. SEE ELEV FOR MOUNTING HEIGHTS.
 - CEILING MATERIAL
 - FINISH CEILING HEIGHT

- ### GENERAL NOTES:
- BLOCKING TO BE PROVIDED FOR FFIE ACCESSORIES AND COORDINATED WITH FFIE SPECIFICATIONS.
 - BLOCKING TO BE 20 GA. METAL EXCEPT AT GRAB BARS TO BE F.T. 2X.
 - KITCHEN COUNTERTOPS AND WELCOME SHELF TO HAVE FULLY ROUNDED EDGES. REFER TO DETAILS.
 - ALL DOORS TO BE 1'-10" TO CENTERLINE OF OPENING FROM FINISHED WALL UNLESS OTHERWISE NOTED
 - REFER TO SHEET A9.0 FOR ROOM FINISH SCHEDULE
 - SEE OVERALL PLANS FOR EXACT LOCATIONS OF ROLL-IN SHOWERS
 - PROVIDE COPPER-COIL WATER SUPPLY TO REFRIGERATOR ICE MAKER
 - REFER TO GUESTROOM DETAILS FOR TILE PLAN DETAILS
 - SEAL UNDERSIDE OF PLANK JOINTS WITH JOINT FILLER AND APPLY FIBERGLASS MESH BEFORE SKIM COATING AND FINAL FINISH

PERMIT ISSUE - 09/27/07

NO.	REVISION	DATE
SCALE: As Noted	DRAWN BY: ES	
DATE:	CHECKED BY: JR	



PROJECT

RESIDENCE INN BY MARRIOTT

PORTLAND, ME

JOB# 802

TITLE

GUESTROOMS - ENLARGED PLANS AND ELEVATIONS

GROUP ONE
21 W. THIRD STREET, BOSTON, MA 02127
TEL: (617)288-7000 FAX: (617)288-0208

DRAWING NO.

A1.28

REFER TO A1.0-A1.2 FOR BRACE FRAMING WALL TYPE LOCATIONS

GUEST ROOM MATRIX

BEDROOM	1st	2nd	3rd	4th	5th	TOTAL
ONE BEDROOM 1	0	6	7	7	7	27
ONE BEDROOM 1 HEARING IMPAIRED	0	1	0	0	0	1
ONE BEDROOM 2	0	0	0	1	1	2
ONE BEDROOM 3 ADA	1	1	1	0	0	3
ONE BEDROOM 4 ADA	1	0	0	0	0	1
TWO BEDROOM 1	0	1	1	1	1	4
TWO BEDROOM 2	0	0	1	1	1	3
TWO BEDROOM 2 HEARING IMPAIRED	0	1	0	0	0	1
	2	10	10	10	10	42
STUDIO						
URBAN STUDIO 1	9	16	16	16	16	73
URBAN STUDIO 2	0	9	9	9	9	36
URBAN STUDIO 2 HEARING IMPAIRED	0	1	1	1	1	4
URBAN STUDIO 3	0	2	2	2	2	8
STUDIO 4	0	1	1	1	1	4
STUDIO 5	0	1	1	1	1	4
STUDIO 6	0	1	1	1	1	4
STUDIO 7 ADA	0	1	1	1	1	4
TOTAL	9	32	32	32	32	137
TOTAL	11	42	42	42	42	179

TYPICAL BATHROOM ACCESSORIES: MOUNTING HEIGHTS

