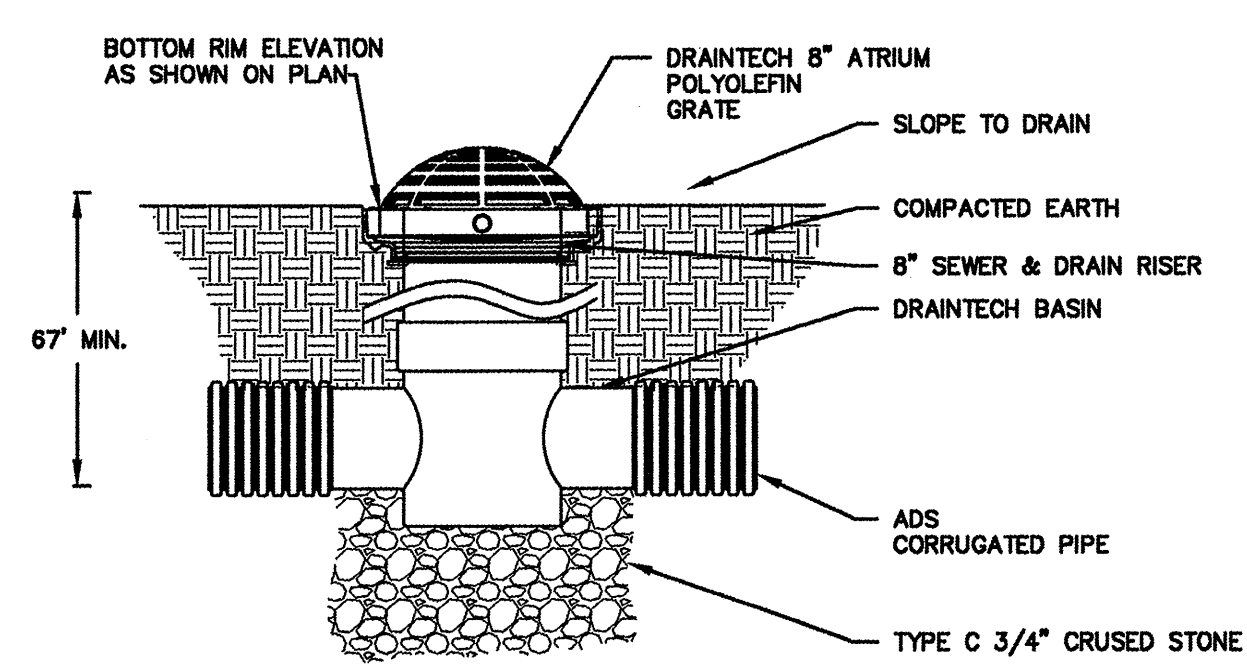
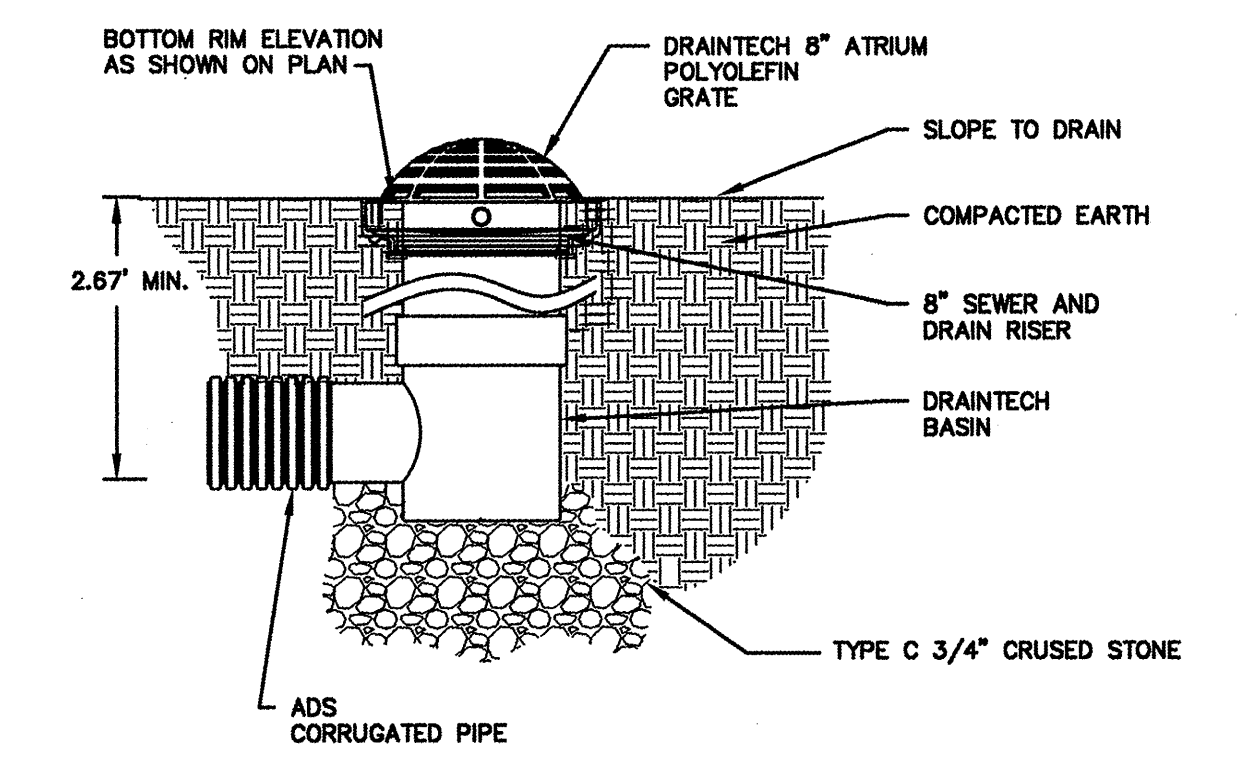


SUBSURFACE DETENTION POND
SCALE: 1"=10'

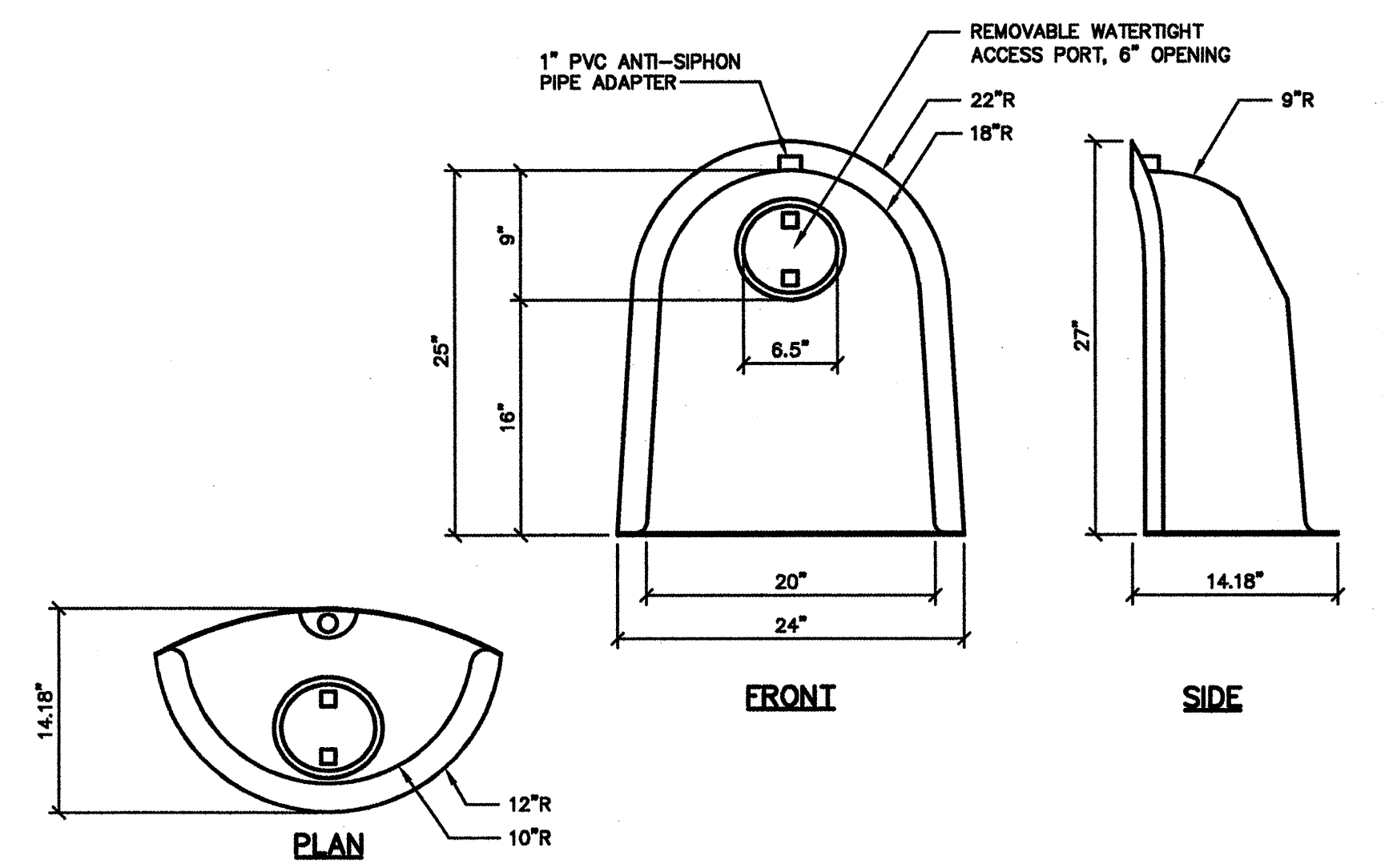
DRAINAGE STRUCTURE SCHEDULE					
STRUCTURE	SIZE	RIM	INV. IN/SIZE (FROM)	INV. OUT/SIZE (TO)	
DMH1	5'	18.10	12.90/12" (BLDG)	12.80/24" (ISO) 14.00/24" (TECH) 14.10/24" (DMH2)	
NYLO 1	2.5'	18.25	-	12.80/24" (TECH)	
DMH2	4'	18.05	13.95/24" (DMH1)	13.85/24" (CBI)	
CB 1	4'	17.90	13.70/24" (DMH2)	-	

SCHEDULE A OUTLET CONTROL STRUCTURE	
ITEM DESCRIPTION	DIMENSION/ELEVATION
(A) TOP OF STRUCTURE	16.20
(B) UNDERSIDE TOP SLAB	15.53
(C) TOP CONCRETE BULKHEAD	15.00
(D) ORIFICE INVERT	12.15
(E) ORIFICE DIAMETER	1"
(F) WALL SLEEVE I.D.	10"
(G) BOTTOM OF STRUCTURE	10.65
(H) PIPE DIAMETER	12"
(I) INVERT IN	13.85
(J) PIPE DIAMETER	12"
(K) INVERT OUT	12.13
(L) PIPE DIAMETER	6"
(M) INVERT IN	12.15

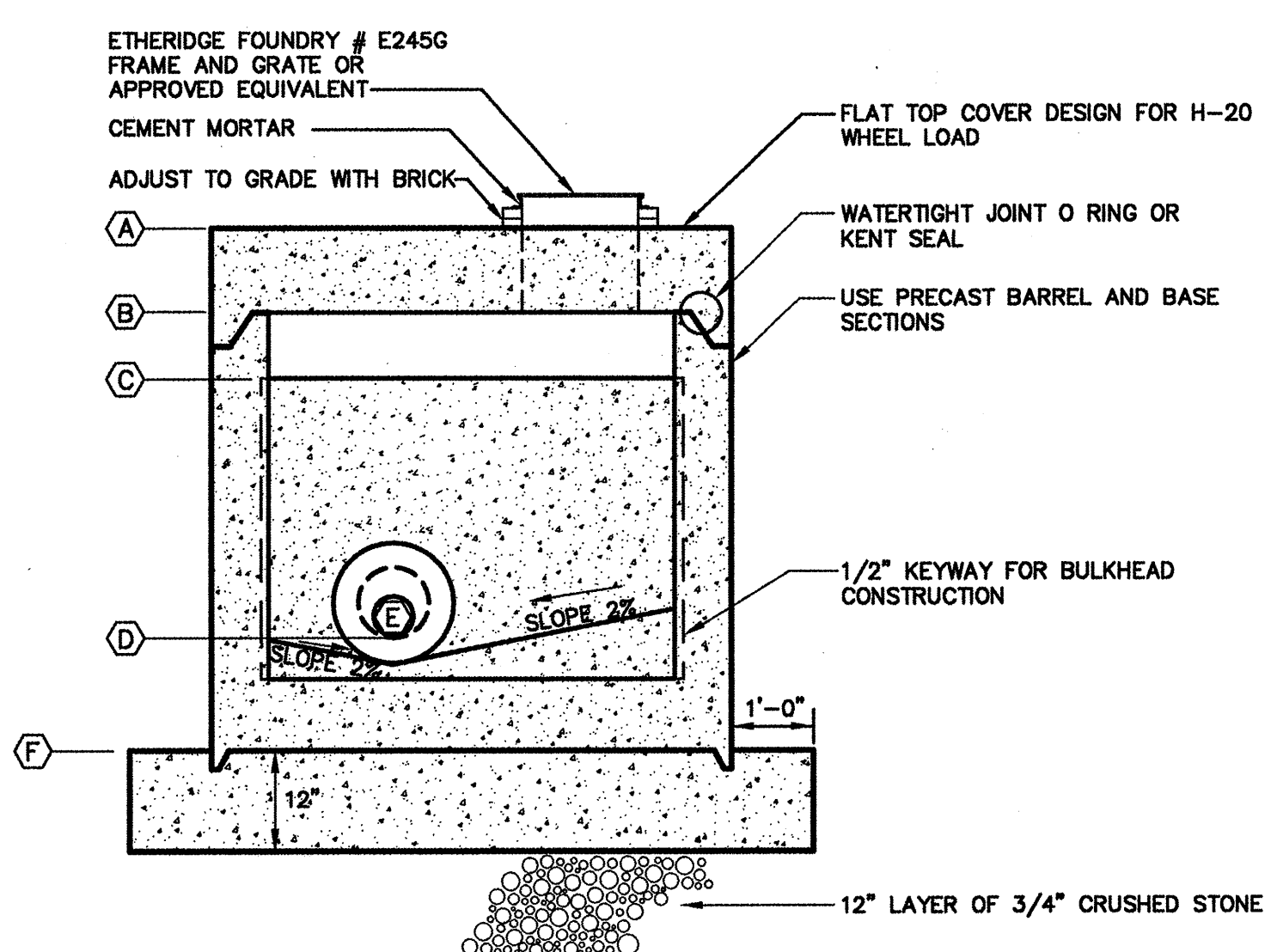
SCHEDULE B ORIFICE	
DESCRIPTION	DIMENSION
(A) FLANGE O.D.	16.00"
(B) BOLT CIRCLE	14.25"
(C) NOMINAL PIPE DIA.	10"
(D) BOLT HOLE DIA.	1"
(E) ECCENTRIC ORIFICE DIAMETER	1"



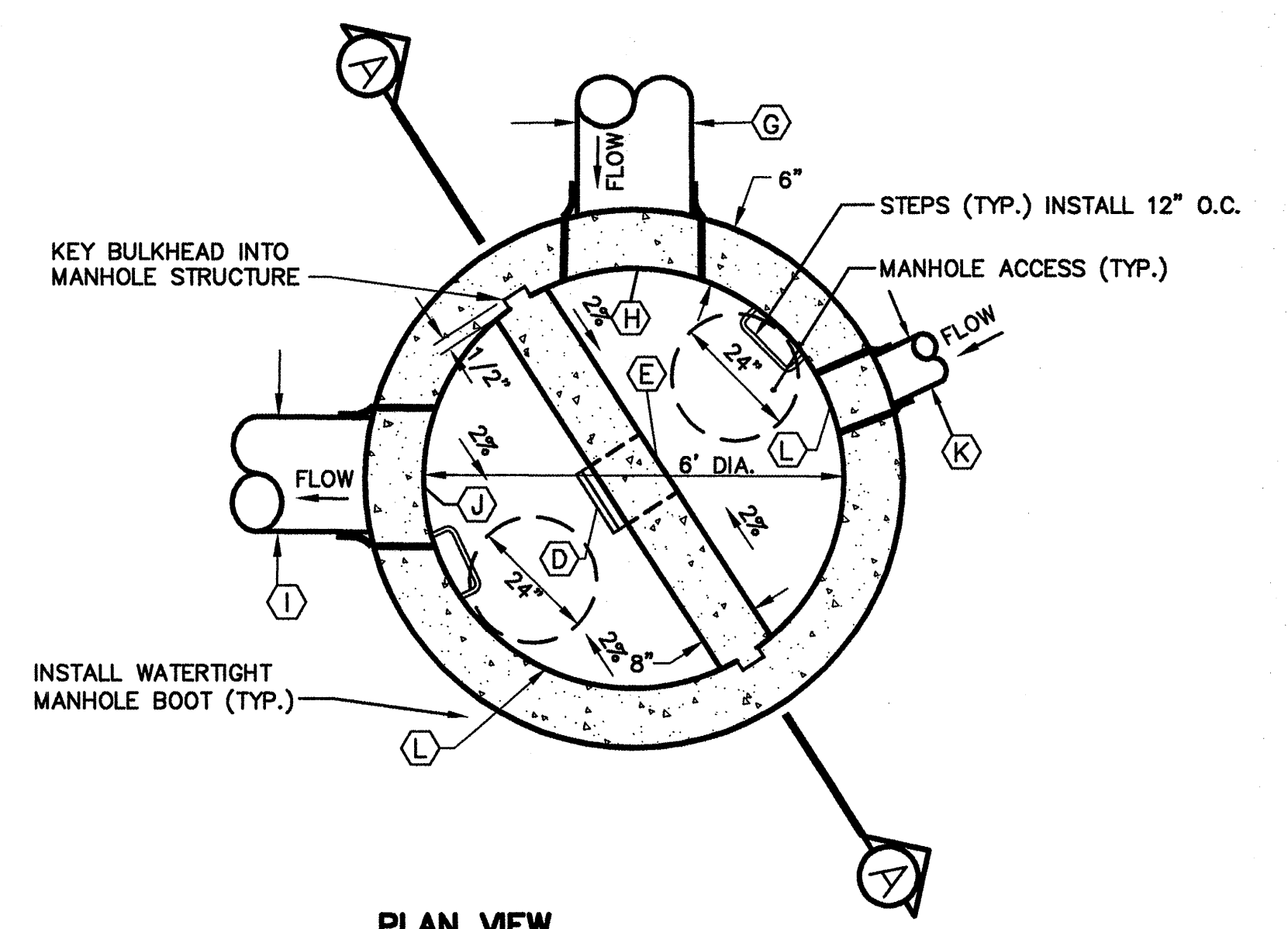
FIELD INLET
N.T.S.



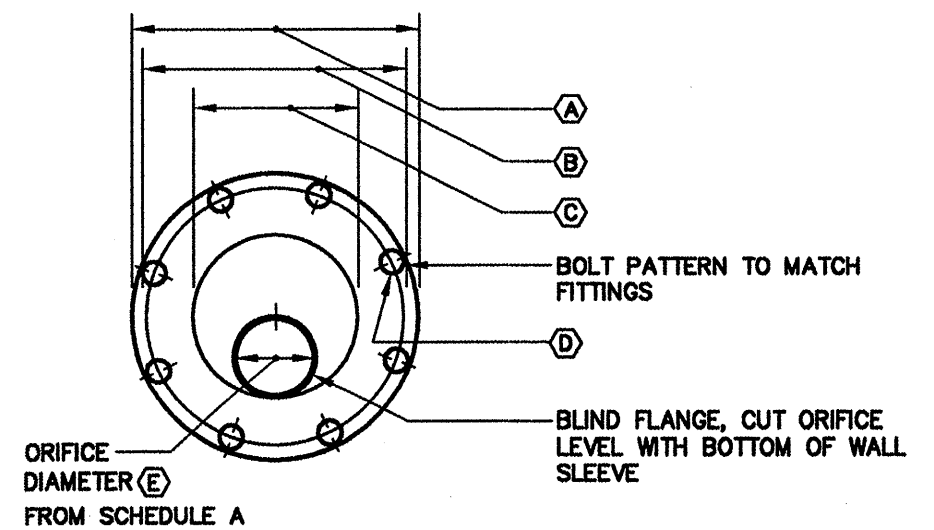
"THE SNOOT"
NOT TO SCALE



**SECTION A-A
OUTLET CONTROL STRUCTURE 1**
NOT TO SCALE
SEE SCHEDULE A



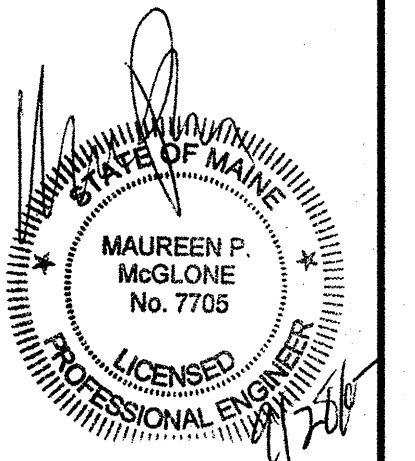
**PLAN VIEW
OUTLET CONTROL STRUCTURE 1**
NOT TO SCALE
SEE SCHEDULE A



ORIFICE DETAIL 1
SEE SCHEDULE B

THESE PLANS HAVE BEEN ISSUED FOR THE PLANNING BOARD WORKSHOP. FINAL SITE PLAN SUBMISSION WILL BE ISSUED AT A LATER DATE.

NOTE: THIS PLAN SET IS ISSUED FOR BIDDING PURPOSES AND SHALL NOT BE USED FOR CONSTRUCTION.



Rev.	Date	Revision
-	-	-

Issued For	Date	By
90% PROGRESS	09/17/07	MPM
BIDDING	07/27/07	MPM
PUBLIC HEARING SUBMISSION	05/02/07	MPM
2ND PB WORKSHOP SUBMISSION	02/16/07	MPM
SKETCH PLAN	02/08/07	MPM

Design: WHS Draft: BVD Date: OCT. 2006
 Checked: MPM Scale: AS NOTED Job No.: 1614
 File Name: 1614-DETAILS-POND.dwg
 This plan shall not be modified without written permission from Gorrill-Palmer Consulting Engineers, Inc.(GPCEI). Any alterations, authorized or otherwise, shall be at the user's sole risk and without liability to GPCEI.

GP Gorrill-Palmer Consulting Engineers, Inc.
 Traffic and Civil Engineering Services
 PD Box 1237 15 Shaker Road Gray, ME 04039
 207-657-6910 207-657-6912
 E-Mail: mail@gorrillpalmer.com

Drawing Name: **Subsurface Detention Pond Plan and Details**
 Project: **Residence Inn by Marriott - Portland, Maine**
 Client: **Summit Hotel Properties, LLC**
 218 Boston St. Suite 109 - P.O. Box 394 - Topsfield, MA 01983

Drawing No. **C404**