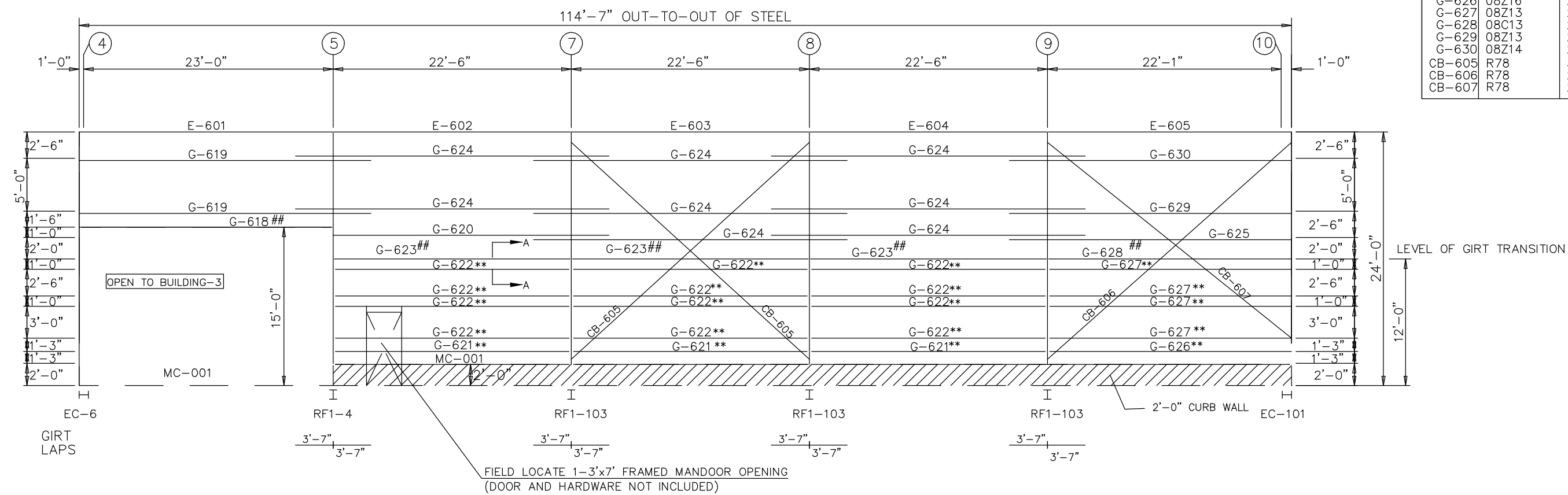
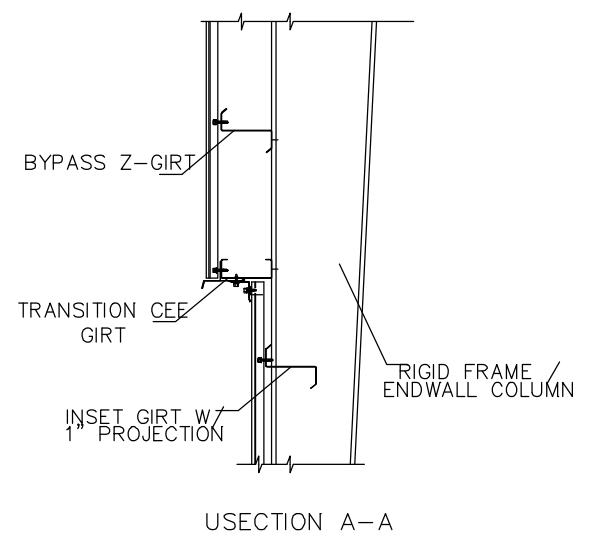


MEMBER TABLE FRAME LINE D & A		
MARK	PART	LENGTH
E-601	12E14	23'-11 1/2"
E-602	12E14	22'-5"
E-603	12E14	22'-5"
E-604	12E14	22'-5"
E-605	12E14	23'-0 1/2"
G-618	08C16	23'-11 1/2"
G-619	08Z13	27'-7"
G-620	08Z16	26'-0 1/2"
G-621	08Z16	21'-9"
G-622	08Z13	21'-9"
G-623	08C13	22'-5"
G-624	08Z16	29'-8"
G-625	08Z16	26'-8"
G-626	08Z16	22'-8 1/2"
G-627	08Z13	22'-8 1/2"
G-628	08C13	23'-0 1/2"
G-629	08Z13	26'-8"
G-630	08Z14	26'-8"
CB-605	R78	30'-8"
CB-606	R78	27'-0"
CB-607	R78	28'-9"



USIDEWALL FRAMING: FRAME LINE B



NOTE:
 ** - INDICATES GIRTS WHICH ARE INSET Z-GIRTS WITH 1" PROJECTION
 ## - INDICATES GIRTS WHICH ARE BYPASS SIMPLY SUPPORTED C-GIRTS

BUILDER IRISHSPAN INDUSTRIES INC.	PROJECT SHIPYARD BREWING CO.	DWG # 73178-S15	0 REV.	ISSUED FOR INFORMATION DESCRIPTION	05/10/07 DATE	TSD BY
	LOCATION PORTLAND, US.	DWG NOT TO SCALE	7825 SPRINGWATER ROAD • AYLMER • ONTARIO CANADA • N5H 2R4 PH • 519 765 2244 WWW.STEELWAY.COM			