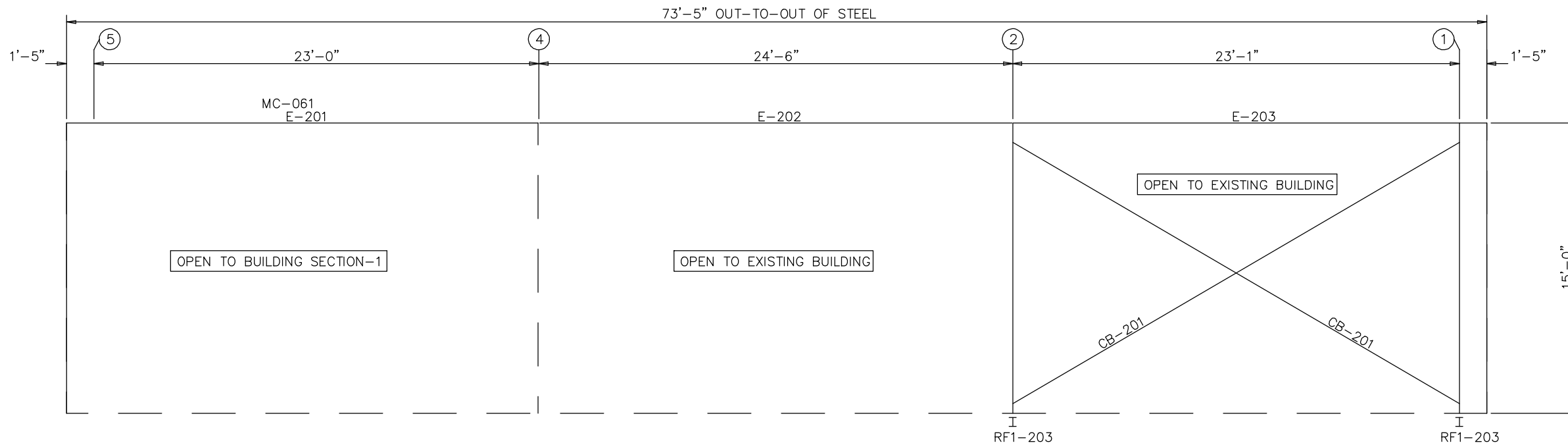
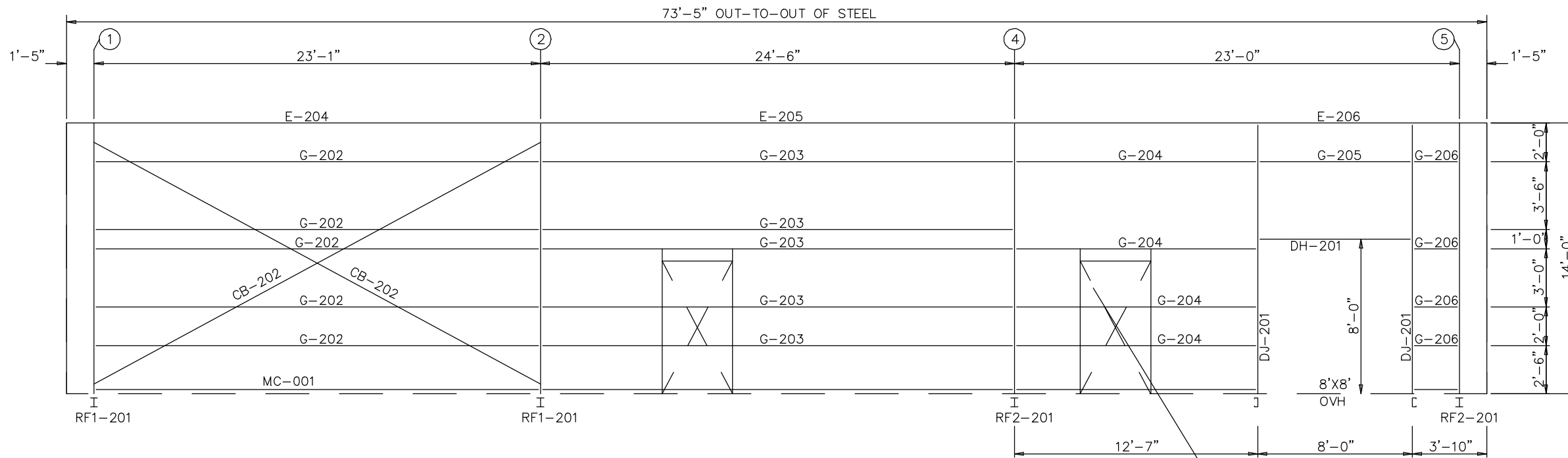


MEMBER TABLE FRAME LINE B & A		
MARK	PART	LENGTH
DJ-201	08CD14	12'-10 3/4"
DH-201	08CD16	7'-11 1/2"
E-201	12E14	24'-4 1/2"
E-202	12E14	24'-5"
E-203	12E14	24'-5 1/2"
E-204	12E14	24'-5 1/2"
E-205	12E14	24'-5"
E-206	12E14	24'-4 1/2"
G-202	08Z13	22'-4"
G-203	08Z12	23'-9"
G-204	08Z16	11'-11"
G-205	08Z16	7'-11"
G-206	08Z16	1'-9"
CB-201	CB38	27'-0"
CB-202	CB38	26'-6"




USIDEWALL FRAMING: FRAME LINE B



USIDEWALL FRAMING: FRAME LINE A

FIELD LOCATE 2-3'x7' FRAMED MANDOOR OPENING (DOOR AND HARDWARE NOT INCLUDED) TYP.

BUILDER	PROJECT	LOCATION	DWG #	0	ISSUED FOR INFORMATION	05/10/07	TSD
				REV.	DESCRIPTION	DATE	BY
IRISHSPAN INDUSTRIES INC	SHIPYARD BREWING CO	PORTLAND, US.	73178-S14	 7825 SPRINGWATER ROAD • AYLMEYER • ONTARIO CANADA • N5H 2R4 PH • 519 765 2244 WWW.STEELWAY.COM			