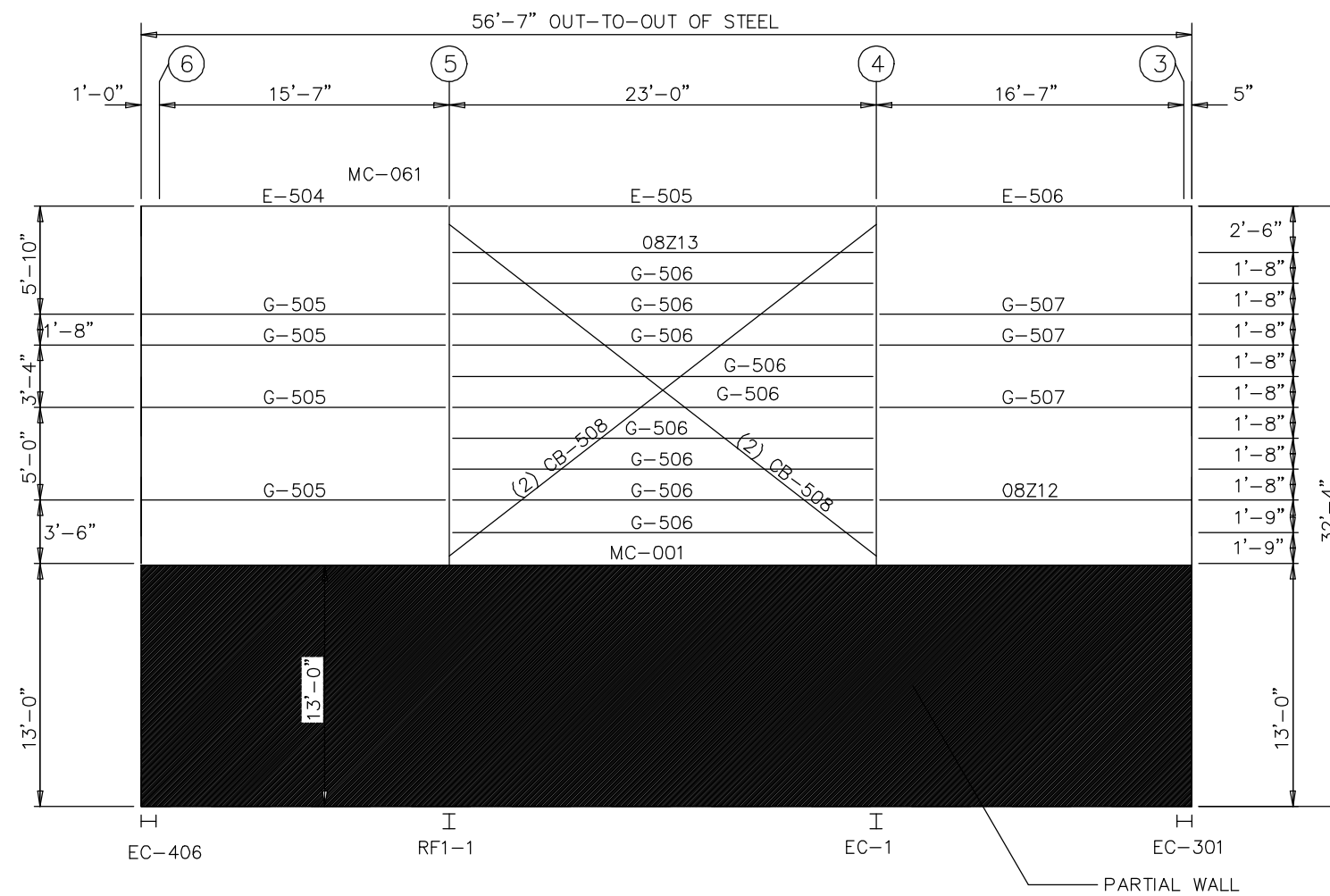


MEMBER TABLE		
FRAME LINE I		
MARK	PART	LENGTH
E-504	12E14	16'-6 1/2"
E-505	12E14	22'-11"
E-506	12E14	16'-11 1/2"
G-505	08Z13	16'-2 1/2"
G-506	08Z14	22'-3"
G-507	08Z13	16'-7 1/2"
CB-508	R78	29'-4"



USIDEWALL FRAMING: FRAME LINE I

BUILDER

IRISHSPAN INDUSTRIES INC.

PROJECT

SHIPYARD BREWING CO

LOCATION

PORTLAND, US.

DWG NOT TO SCALE

DWG #

73178-S13

REV.	DESCRIPTION	DATE	BY
0	ISSUED FOR INFORMATION	05/10/07	TSD

**STEELWAY** 7825 SPRINGWATER ROAD • AYLMER • ONTARIO  
CANADA • N5H 2R4 PH • 519 765 2244  
WWW.STEELWAY.COM