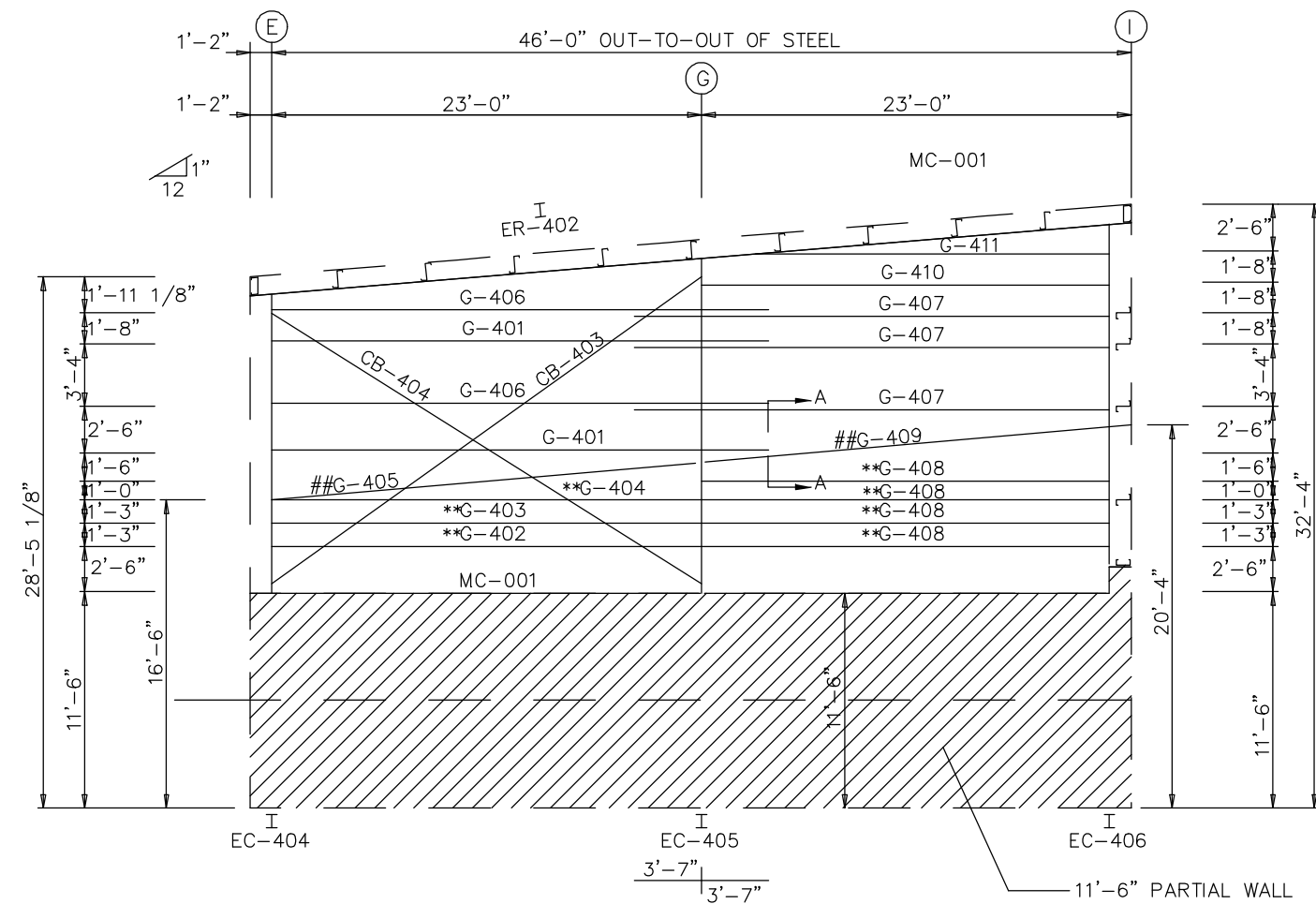
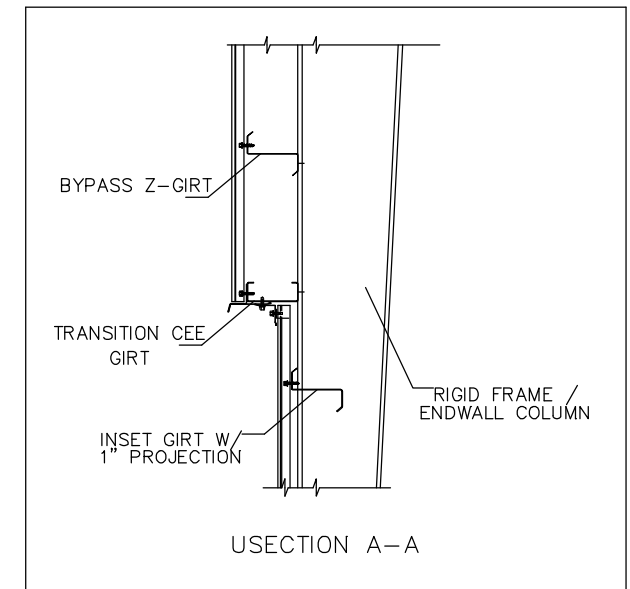


| BOLT TABLE | | | |
|--------------|------|------|---------|
| FRAME LINE 6 | | | |
| LOCATION | QUAN | TYPE | DIA |
| Columns | 4 | A325 | 3/4" 2" |

| MEMBER TABLE | | |
|--------------|---------|--------------|
| FRAME LINE 6 | | |
| MARK | PART | LENGTH |
| EC-404 | W08@014 | 15'-4 1/8" |
| EC-405 | W08@021 | 17'-3" |
| EC-406 | W08@014 | 19'-0 11/16" |
| ER-402 | W08@021 | 45'-9 1/4" |
| G-401 | 08Z16 | 27'-9" |
| G-402 | 08Z13 | 22'-3" |
| G-403 | 08Z14 | 22'-3" |
| G-404 | 08Z16 | 22'-3" |
| G-405 | 08C13 | 24'-1 1/2" |
| G-406 | 08Z14 | 27'-9" |
| G-407 | 08Z16 | 25'-8 1/2" |
| G-408 | 08Z13 | 21'-1" |
| G-409 | 08C14 | 22'-1" |
| G-410 | 08Z13 | 22'-4" |
| G-411 | 08Z13 | 17'-2 3/8" |
| CB-403 | CB38 | 28'-0" |
| CB-404 | CB38 | 26'-11" |



LEVEL OF GIRT TRANSITION IS VARYING FROM 16'-6" TO 20'-4" FROM GRID E TO GRID I



UENDWALL FRAMING: FRAME LINE 6

NOTE:
 ** - INDICATES GIRTS WHICH ARE INSET Z-GIRTS WITH 1" PROJECTION
 ## - INDICATES GIRTS WHICH ARE BYPASS SIMPLY SUPPORTED C-GIRTS

| REV. | DESCRIPTION | DATE | BY |
|------|------------------------|----------|-----|
| 0 | ISSUED FOR INFORMATION | 05/10/07 | TSD |
| | | | |

| | | | |
|---------------------------|----------------------|-----------|--|
| BUILDER | PROJECT | DWG # | |
| IRISHSPAN INDUSTRIES INC. | SHIPYARD BREWING CO. | 73178-S11 | |
| | LOCATION | | |
| | PORTLAND, US. | | |

| | |
|--|--|
| | 7825 SPRINGWATER ROAD • AYLMER • ONTARIO CANADA • N5H 2R4 PH • 519 765 2244 WWW.STEELWAY.COM |
|--|--|