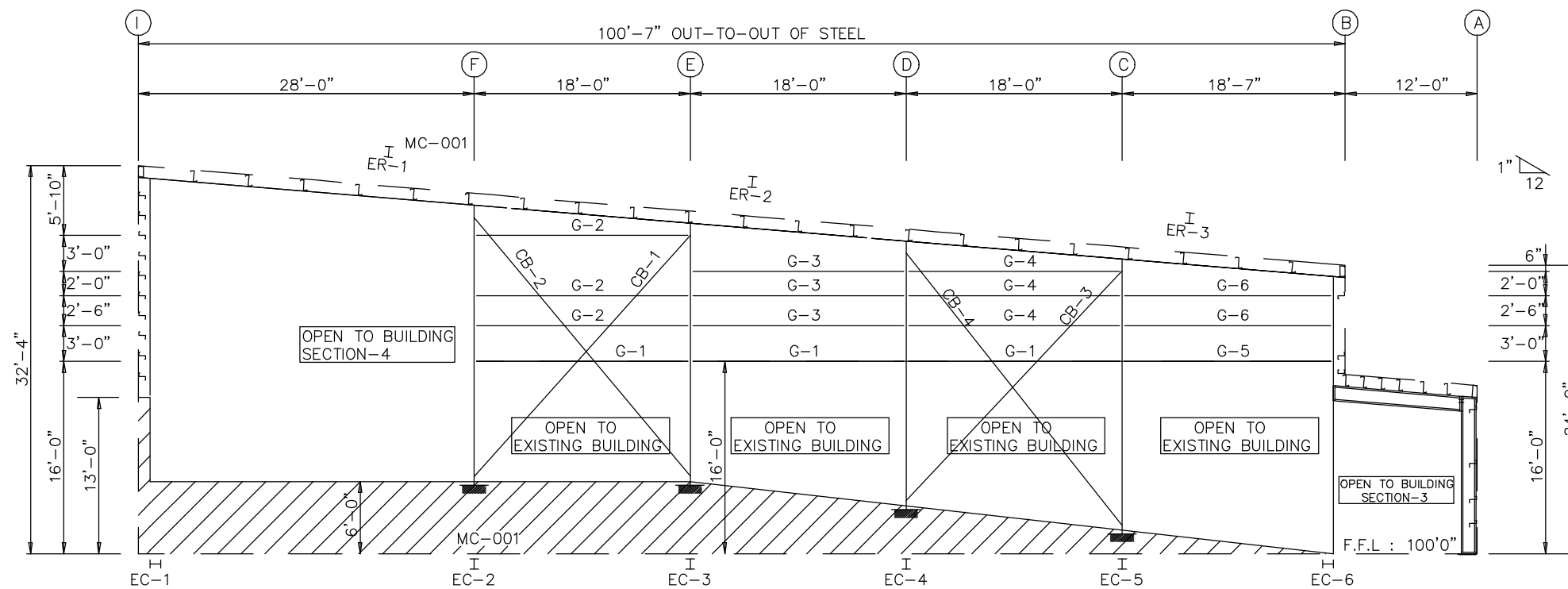
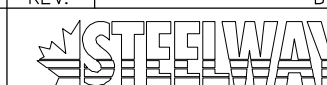


BOLT TABLE				
FRAME LINE 4 & 6				
LOCATION	QUAN	TYPE	DIA	LENGTH
ER-1-ER-2	8	A325	1"	3 1/2"
ER-2-ER-3	8	A325	3/4"	2 1/2"
ER-4-ER-5	8	A325	"	1/2"
ER-5-ER-6	8	A325	"	1/2"
Corner_Column	4	A325	3/4"	2"
Column	4	A325	3/4"	2"

MEMBER TABLE		
FRAME LINE 4 & 6		
MARK	PART	LENGTH
EC-1	W08@031	30'-4 13/16"
EC-2	W08@024	28'-1 7/8"
EC-3	W08@031	26'-8 1/16"
EC-4	W08@028	25'-2 1/8"
EC-5	W08@028	23'-8 3/16"
EC-6	W08@024	22'-2 3/4"
ER-1	W10@030	30'-2 5/16"
ER-2	W10@030	30'-1 1/2"
ER-3	W10@030	39'-0 7/16"
G-1	08C16	17'-3"
G-2	08Z12	17'-3"
G-3	08Z13	17'-3"
G-4	08Z14	17'-3"
G-5	08C16	16'-10 1/16"
G-6	08Z13	16'-10 1/16"
CB-1	R34	31'-1"
CB-2	R34	32'-4"
CB-3	CB38	28'-9"
CB-4	CB38	29'-11"



UENDWALL FRAMING: FRAME LINE 4

BUILDER IRISHSPAN INDUSTRIES INC.	PROJECT SHIPYARD BREWING CO.	DWG # 73178-S10	0 REV.	ISSUED FOR INFORMATION DESCRIPTION	05/10/07 DATE	TSD BY
	LOCATION PORTLAND, US.		 7825 SPRINGWATER ROAD • AYLMER • ONTARIO CANADA • N5H 2R4 PH • 519 765 2244 WWW.STEELWAY.COM			