

Revisions:	Description:
No.	Date:



23 Thornbury Way
Windham, ME 04062
(207) 892-0983
info@m2se.com

ARCHETYPE, PA
48 UNION WHARF
PORTLAND, ME 04101

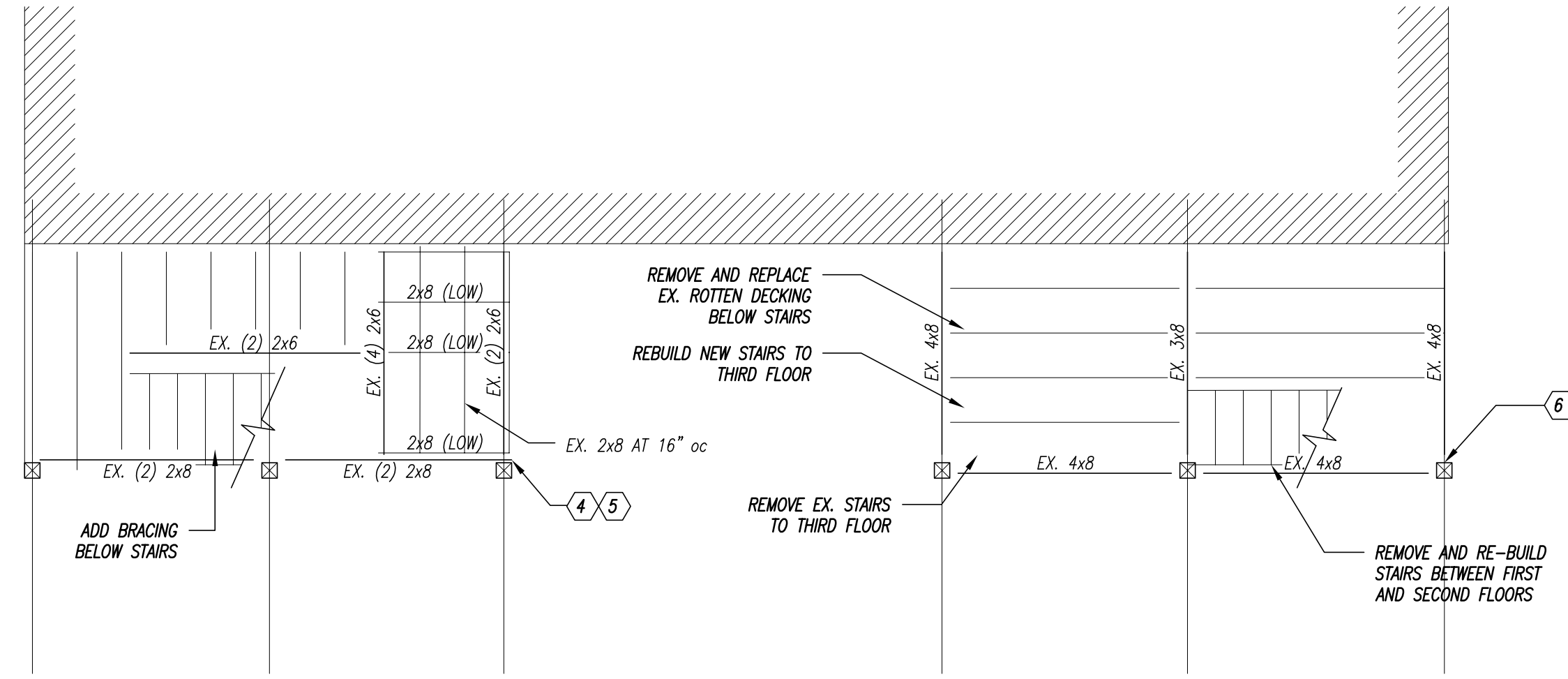
Client:

DECK FRAMING PLANS
70-72 NEWBURY STREET DECKS
PORTLAND, MAINE

Sheet Title:

Project No: 17097
Designed By: MJM
Drawn By: MJM
Checked By: MJM
Scale: AS NOTED
Date: 10/04/2017

SI

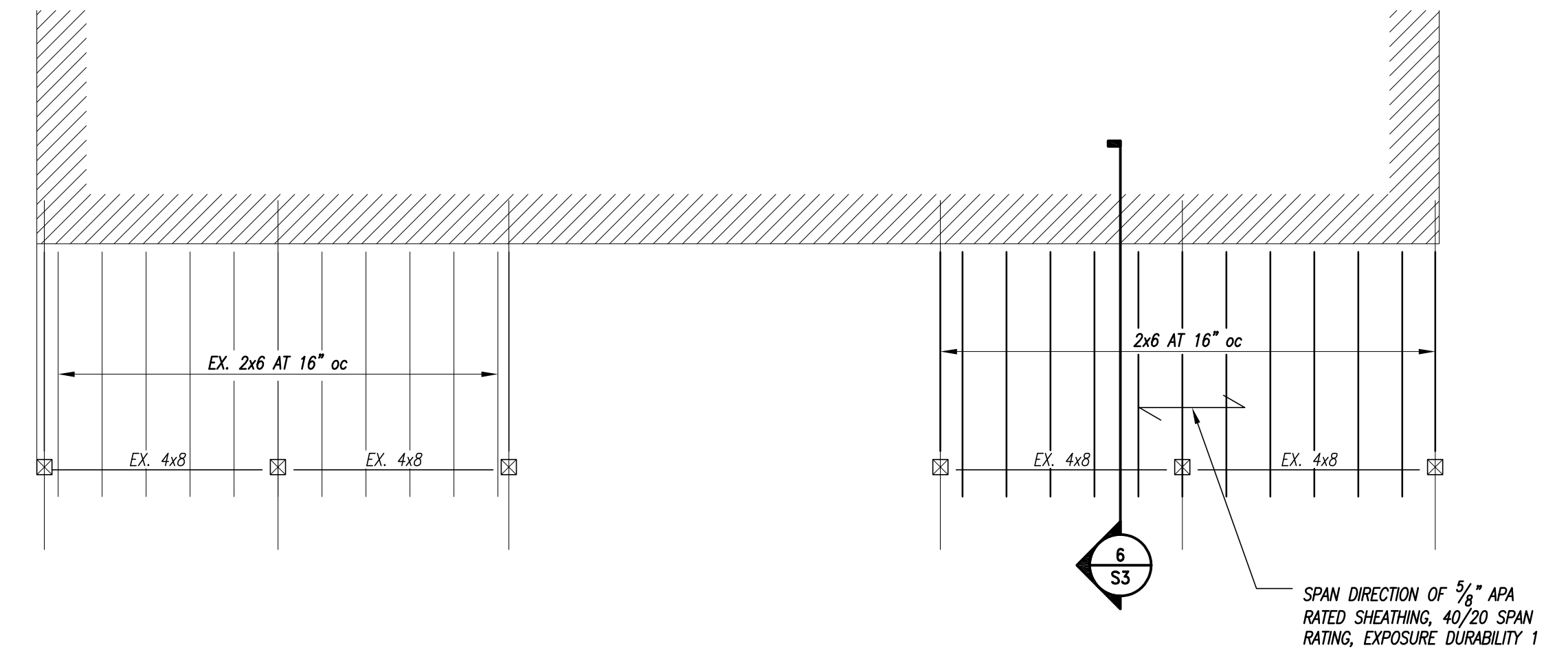


SECOND FLOOR FRAMING PLAN

1/4" = 1'-0"

KEYED NOTES

- ④ REMOVE UPPER BOLT IN EX. BEAM TO POST CONNECTION. REPLACE WITH GALV. THRU-BOLT w/ 1/4"x2"x2" PLATE WASHER EA. SIDE
- ⑤ REMOVE EX. 1x TIE BETWEEN POST AND BEAM. REPLACE w/ SIMPSON PS720 STRAP TIE
- ⑥ REINFORCE EX. SPLIT IN 4x8 w/ 6" LONG SDWC15600 SCREW BY SIMPSON STRONG TIE. INSTALL 2x6 x 2'-0" LONG BELOW BEAM FASTENED TO POST w/ (8) 3/8" LONG FASTENMASTER TIMBERLOK SCREWS

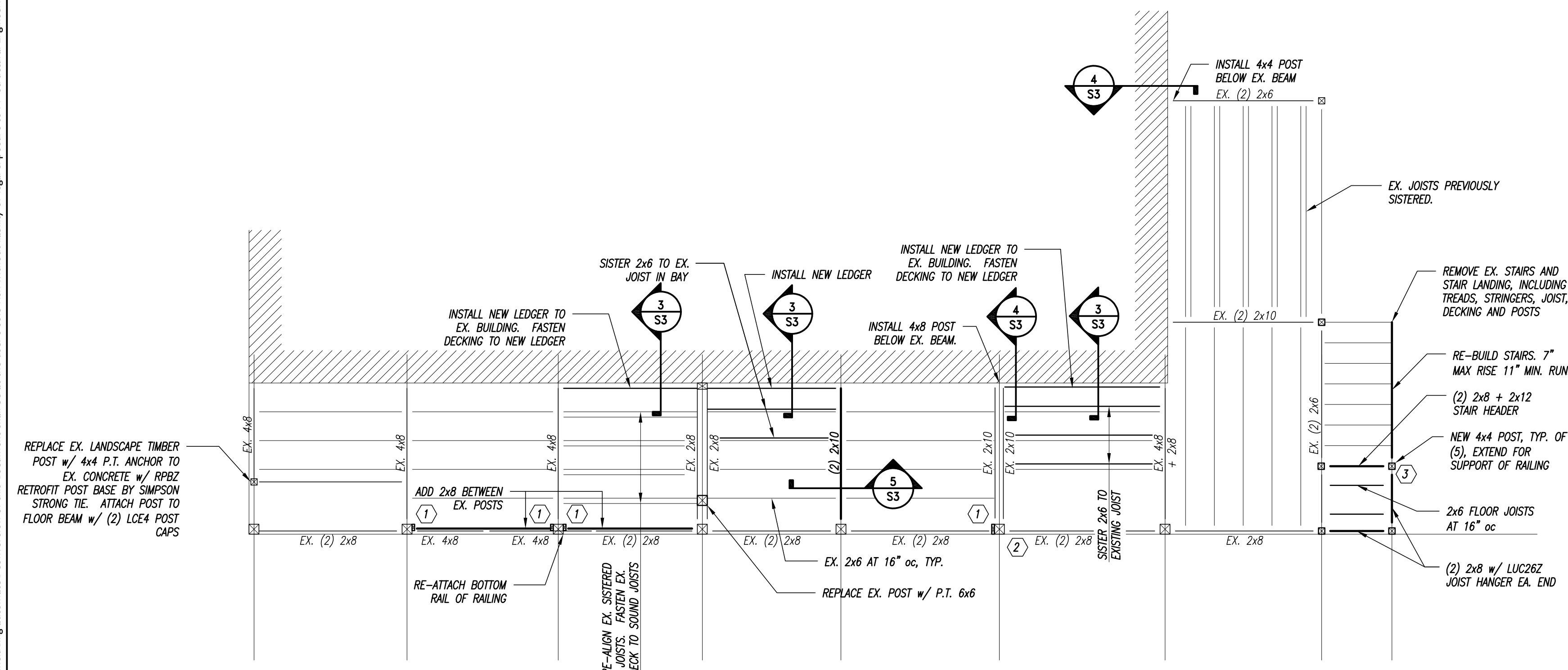


ROOF FRAMING PLAN

1/4" = 1'-0"

KEYED NOTES

- ⑤ REMOVE EX. 1x TIE BETWEEN POST AND BEAM. REPLACE w/ SIMPSON PS720 STRAP TIE

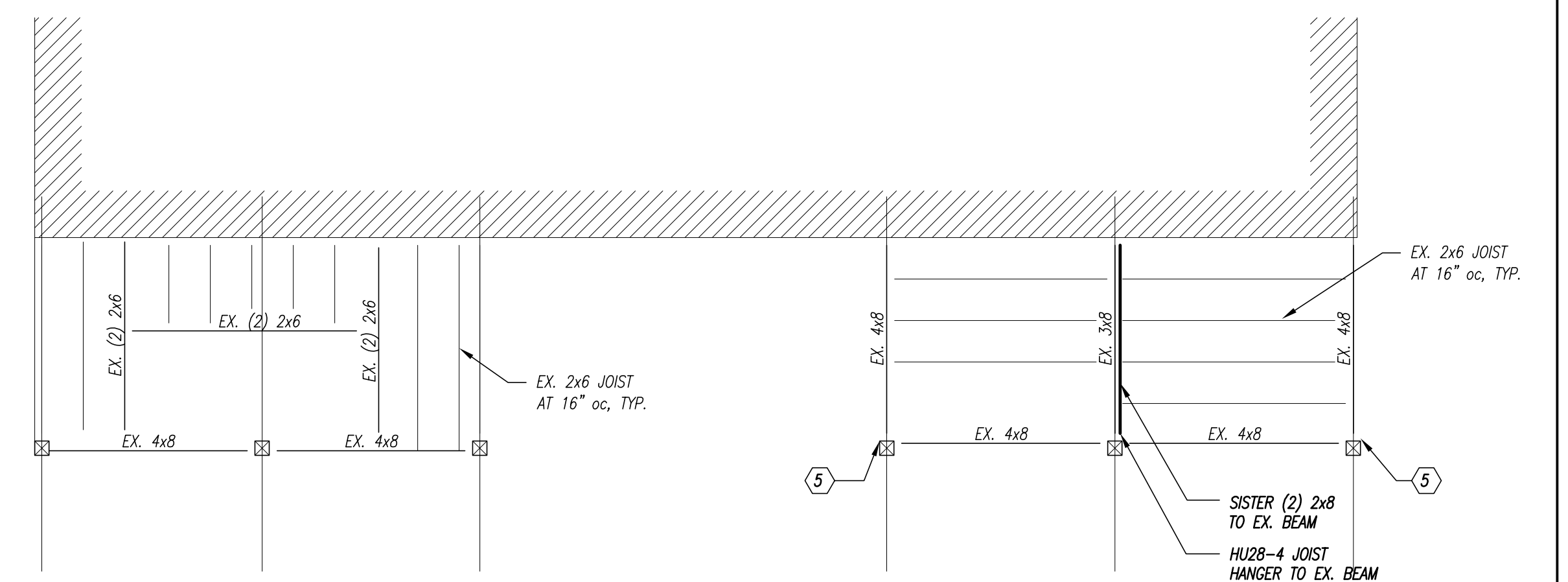


FIRST FLOOR FRAMING PLAN

1/4" = 1'-0"

KEYED NOTES

- ① ADD 2x6 TO SIDE OF EX. POST. SEE DETAIL 1/S3
- ② ADD FRAMING ANGLE BETWEEN BEAM AND POST. SEE DETAIL 2/S3
- ③ SUPPORT NEW POST ON 12" SQUARE CONCRETE DECK BLOCKS FOUNDED A MINIMUM OF 2'-0" BELOW EX. GRADE. TYP. OF (5)



THIRD FLOOR FRAMING PLAN

1/4" = 1'-0"

This drawing is an instrument of professional service, and shall not be used, in whole or in part, for any project other than for which it was created without the express, written consent of M2 Structural Engineering, P.C. Any unauthorized use, reuse, modification or alteration, including automated conversion of this document shall be at the user's sole risk without liability or legal exposure to M2 Structural Engineering, P.C.