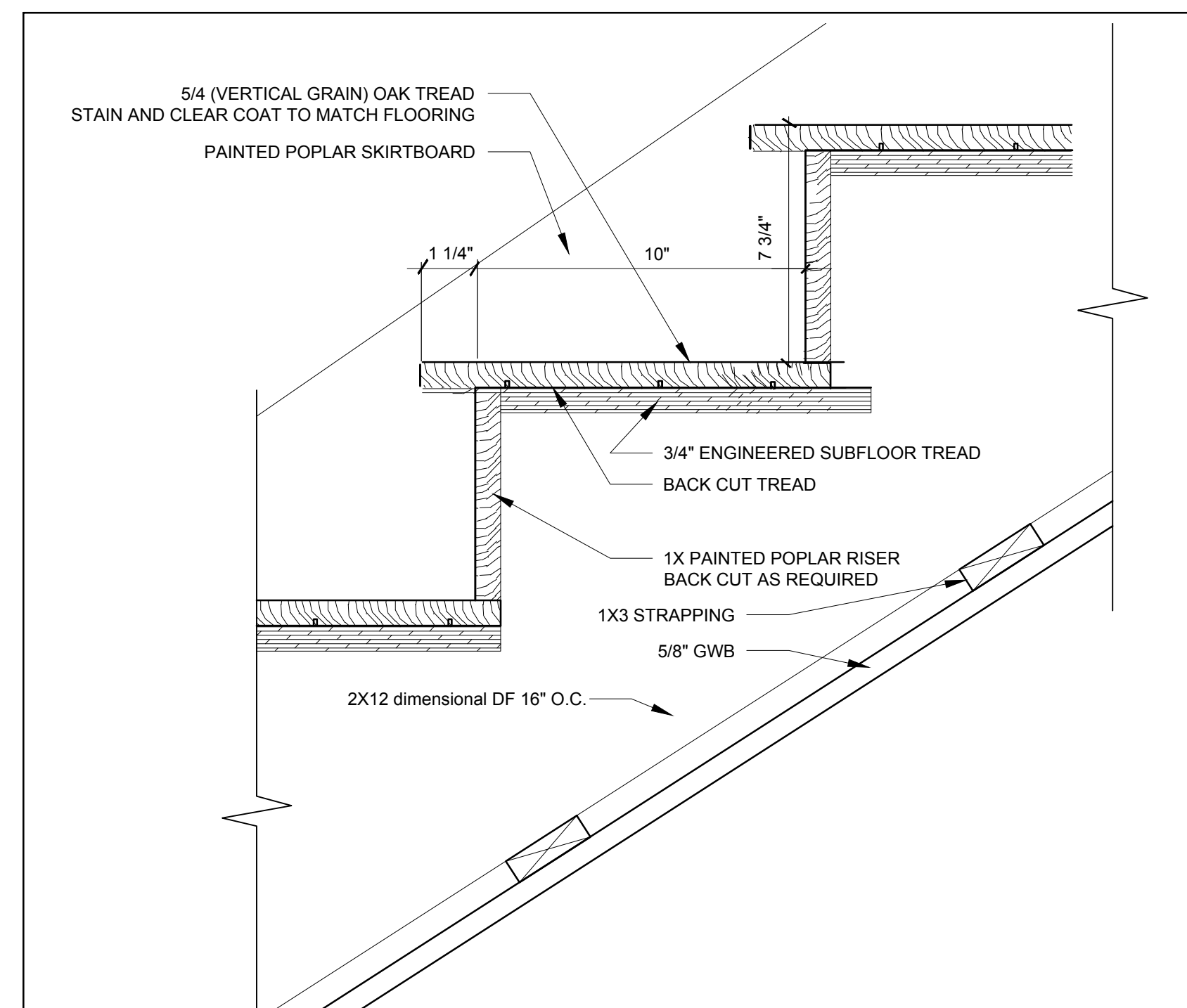
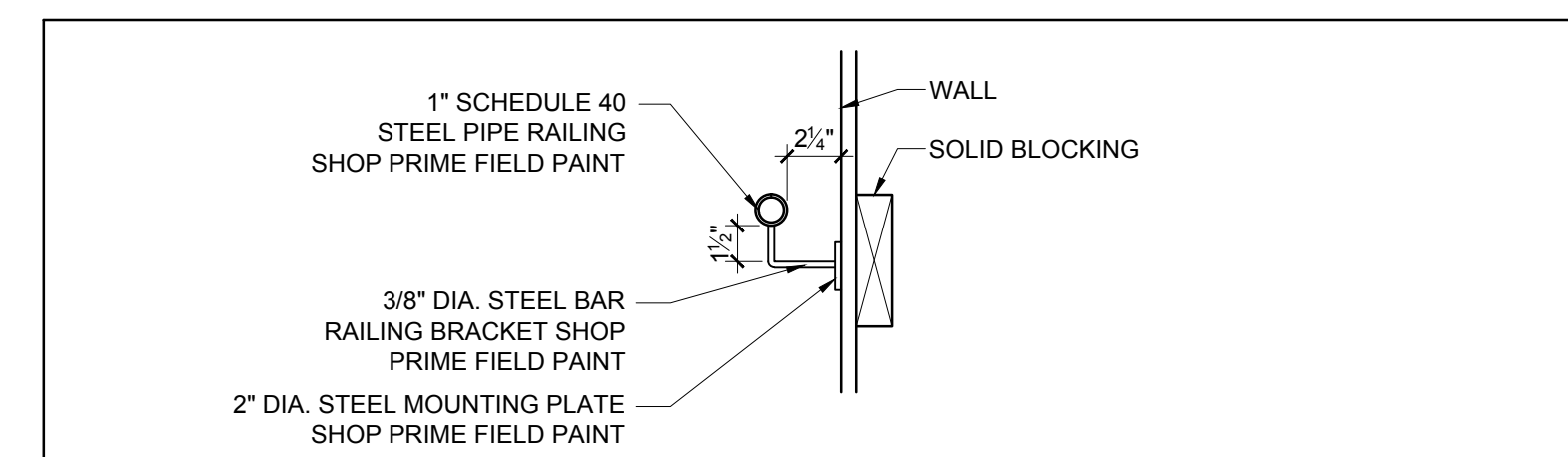


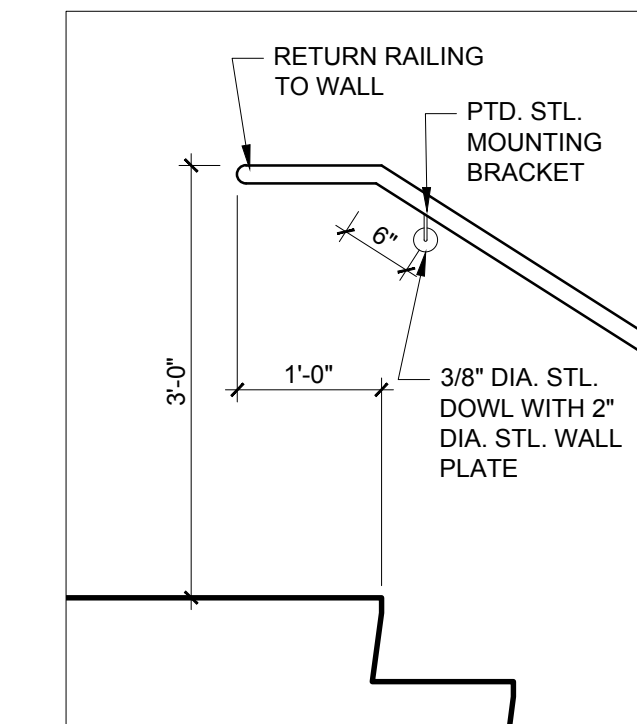
**S-01** Typical Tread and Riser Detail for Egress Strair (Floors 1st to 3rd)  
3\"/>



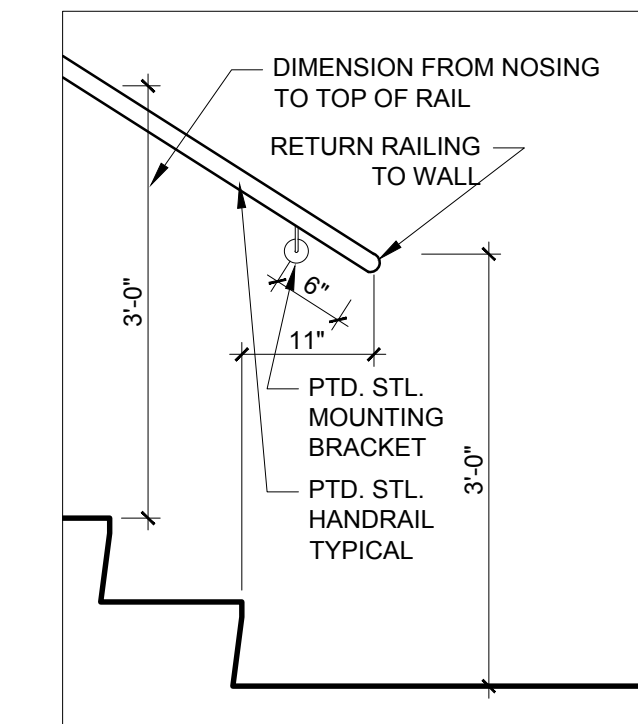
**S-02** Typical Tread and Riser Detail for Strair from 3rd Floor to Mezzanine  
3\"/>



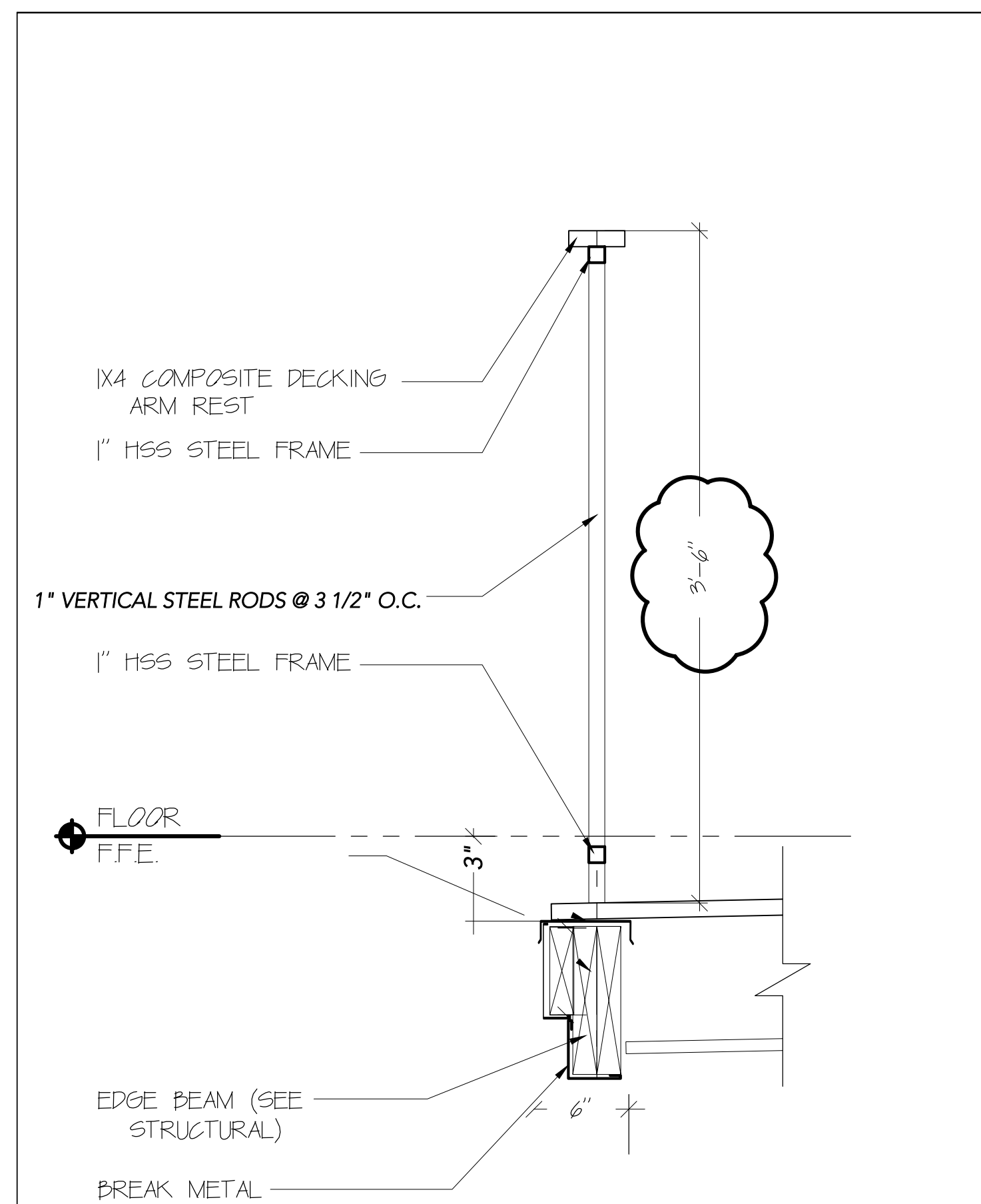
**S-03** Typical Handrail Section Detail  
1-1/2\"/>



**S-04** Typical Handrail at top of stair  
3/4\"/>



**S-05** Typical Handrail at bottom of stair  
3/4\"/>



**D-01** Deck Edge (2nd and 3rd Floor Decks)  
1-1/2\"/>