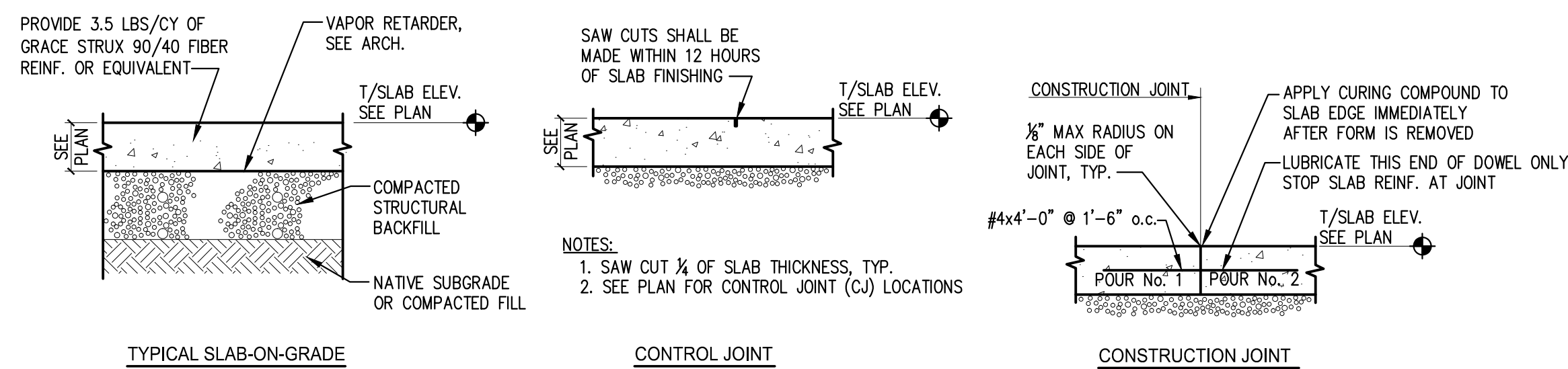
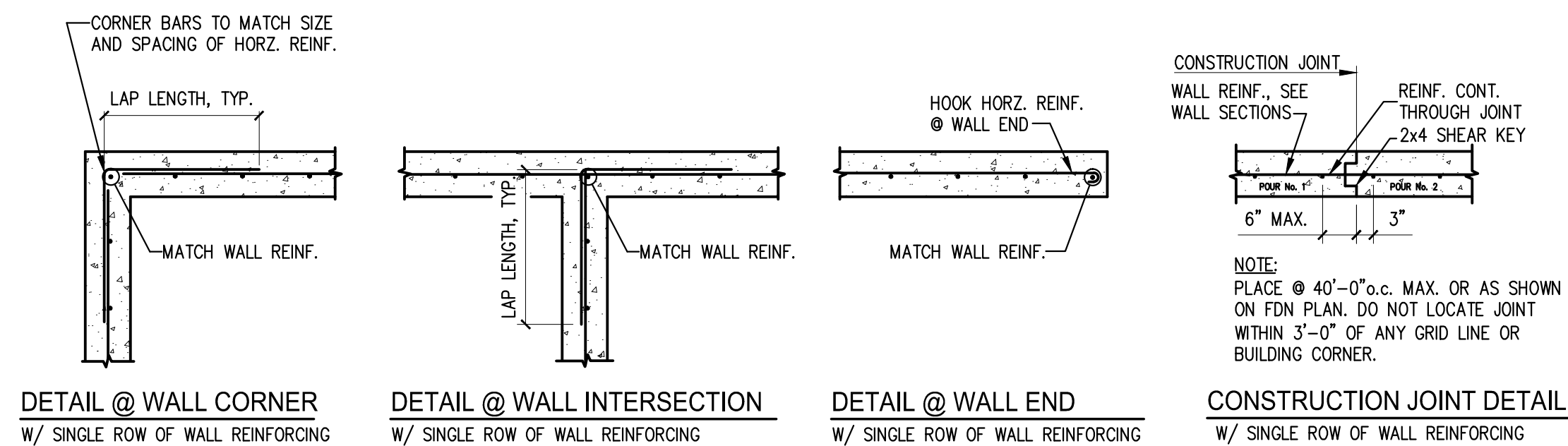


REBAR LAP SPLICE TABLE		
BAR SIZE	4500 PSI CONCRETE	3000 PSI CONCRETE
#3	16"	18"
#4	20"	24"
#5	24"	30"
#6	30"	36"
#7	40"	48"
#8	48"	56"
#9	54"	64"



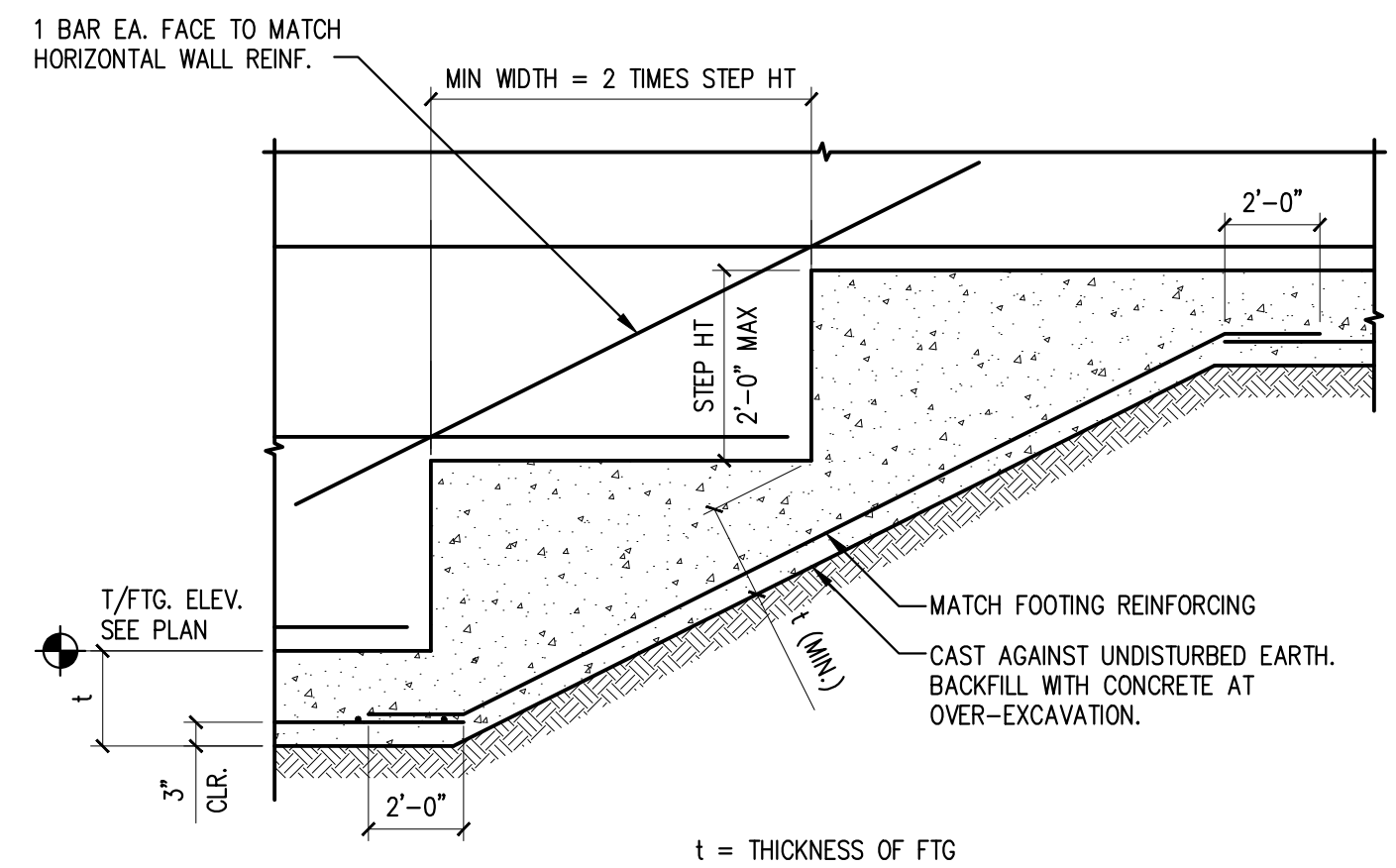
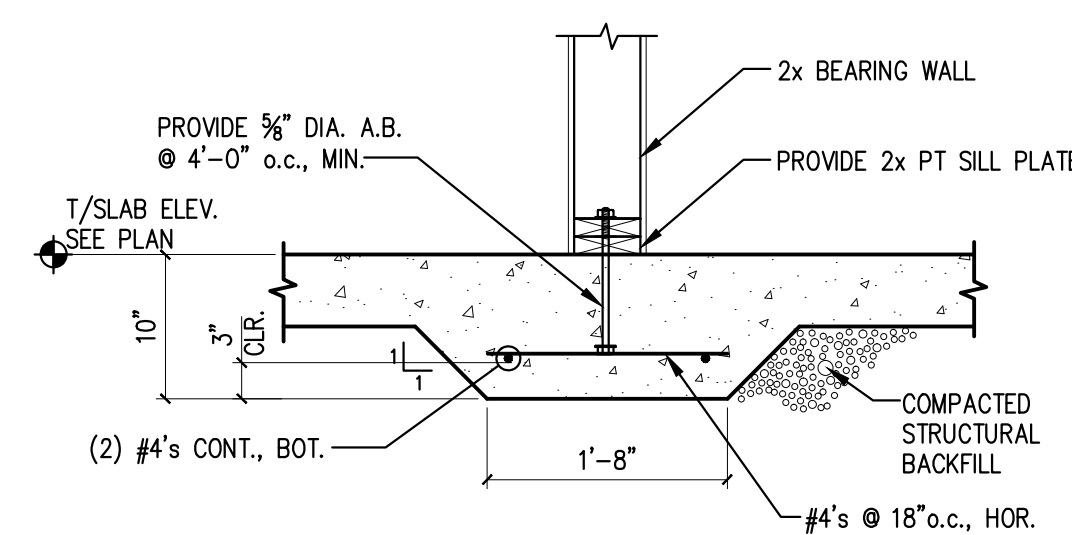
TYPICAL SLAB-ON-GRADE DETAILS

SCALE: NTS



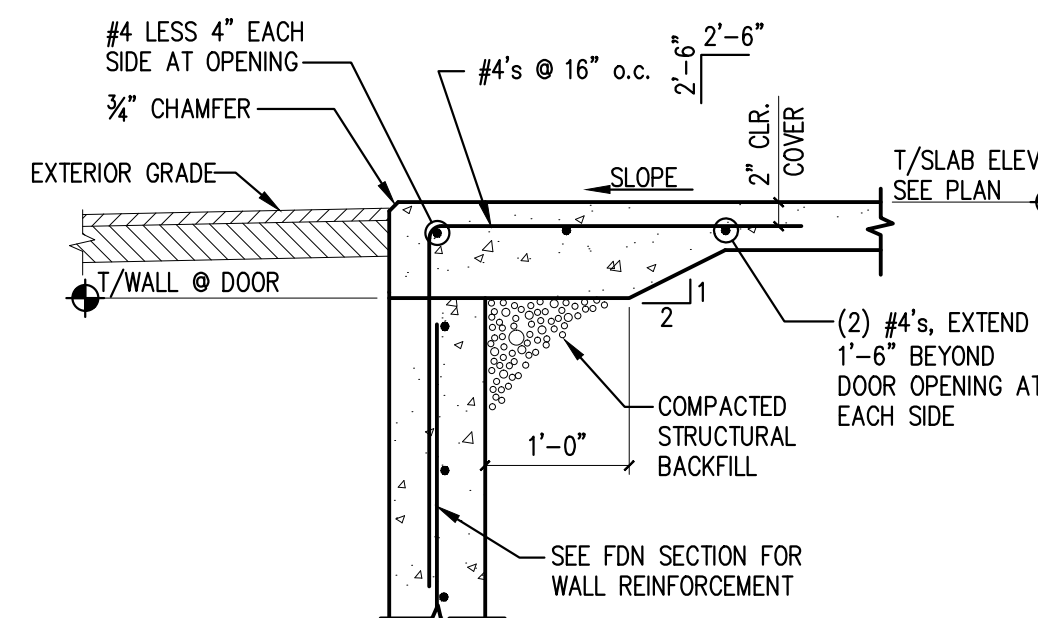
TYPICAL FOUNDATION WALL DETAILS

SCALE: NTS



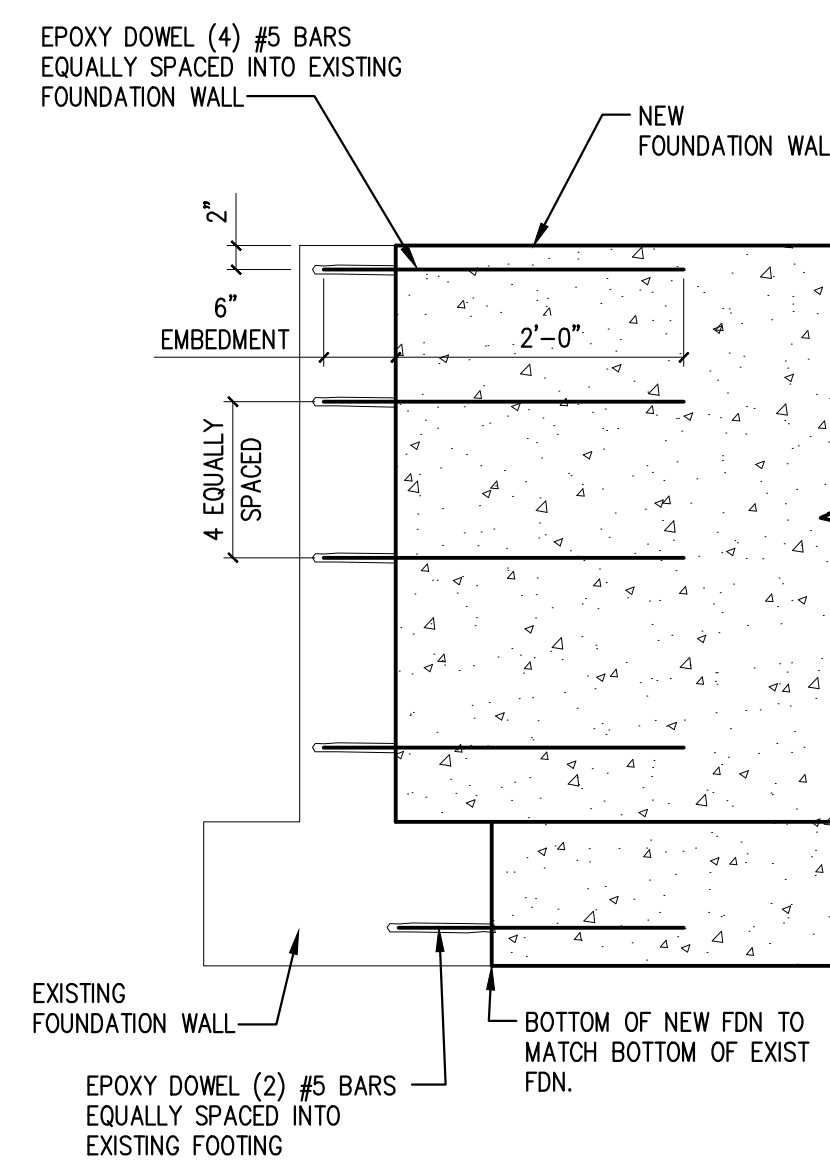
TYPICAL STEPPED FOOTING DETAIL

SCALE: NTS



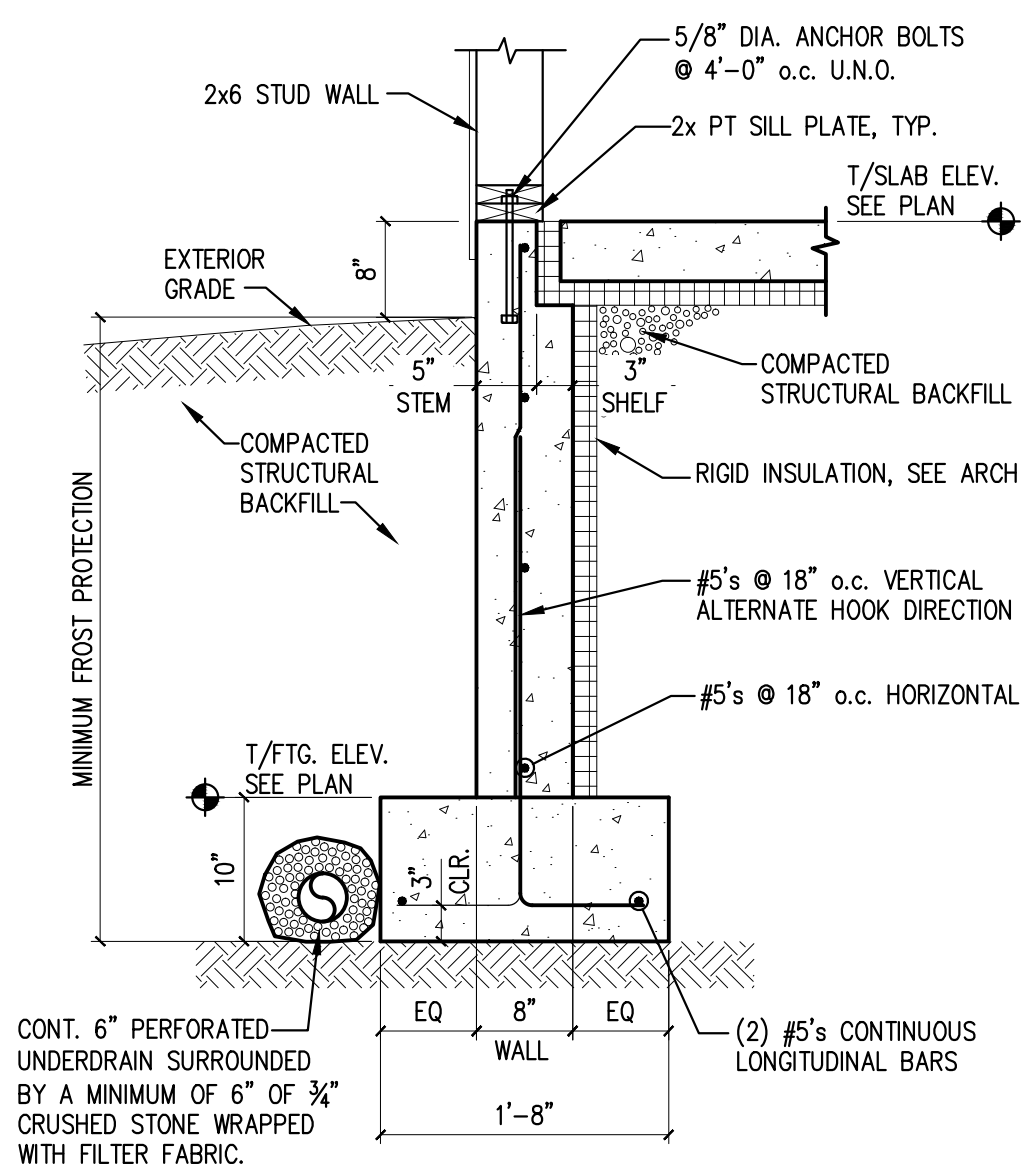
TYPICAL SLAB DETAIL AT DOOR

SCALE: NTS



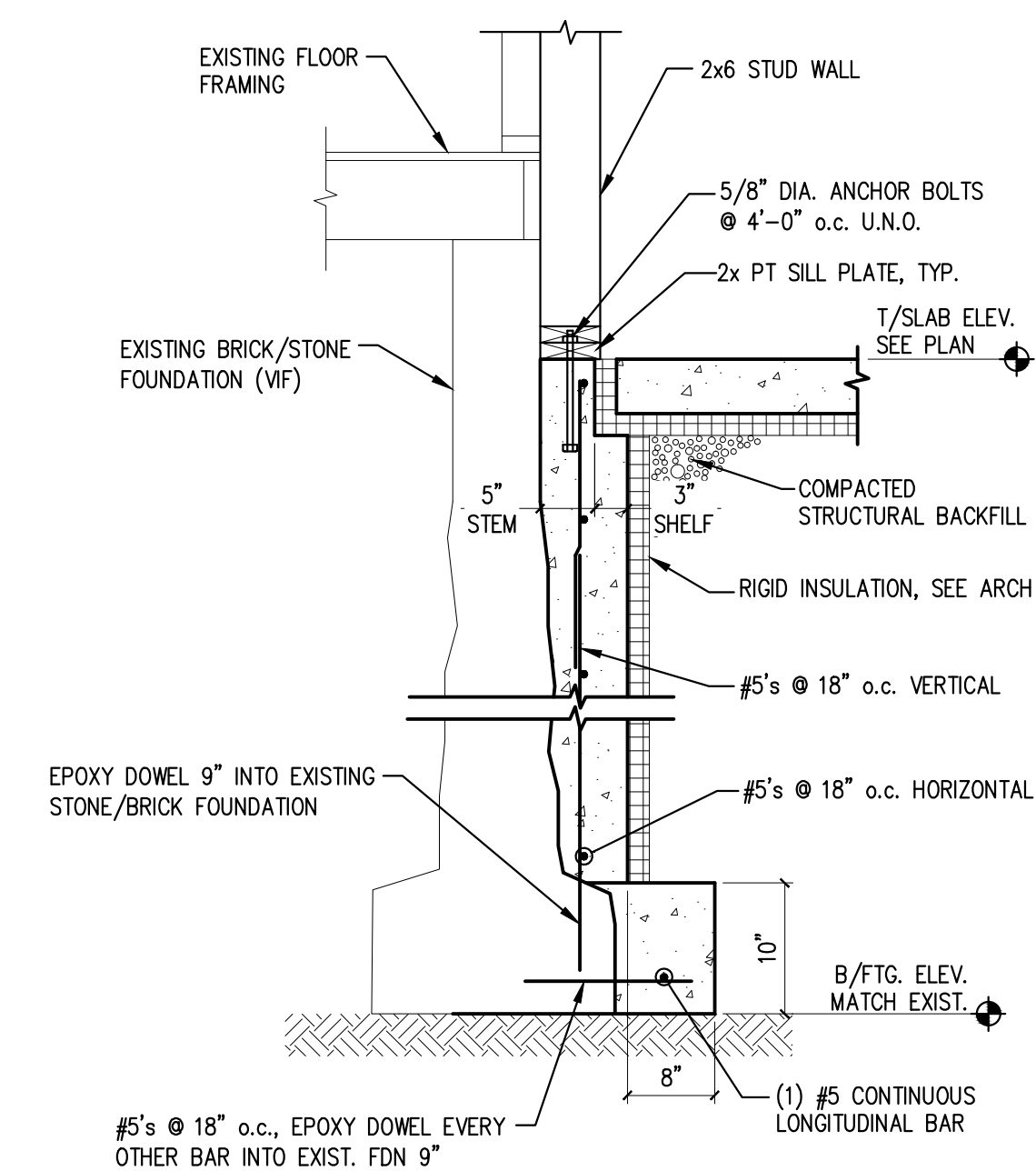
TYPICAL DETAIL AT EXISTING FDN WALL

SCALE: NTS



TYPICAL WALL SECTION

SCALE: 3/4" = 1'-0"



TYPICAL WALL SECTION AT EXIST. BUILDING

SCALE: 3/4" = 1'-0"