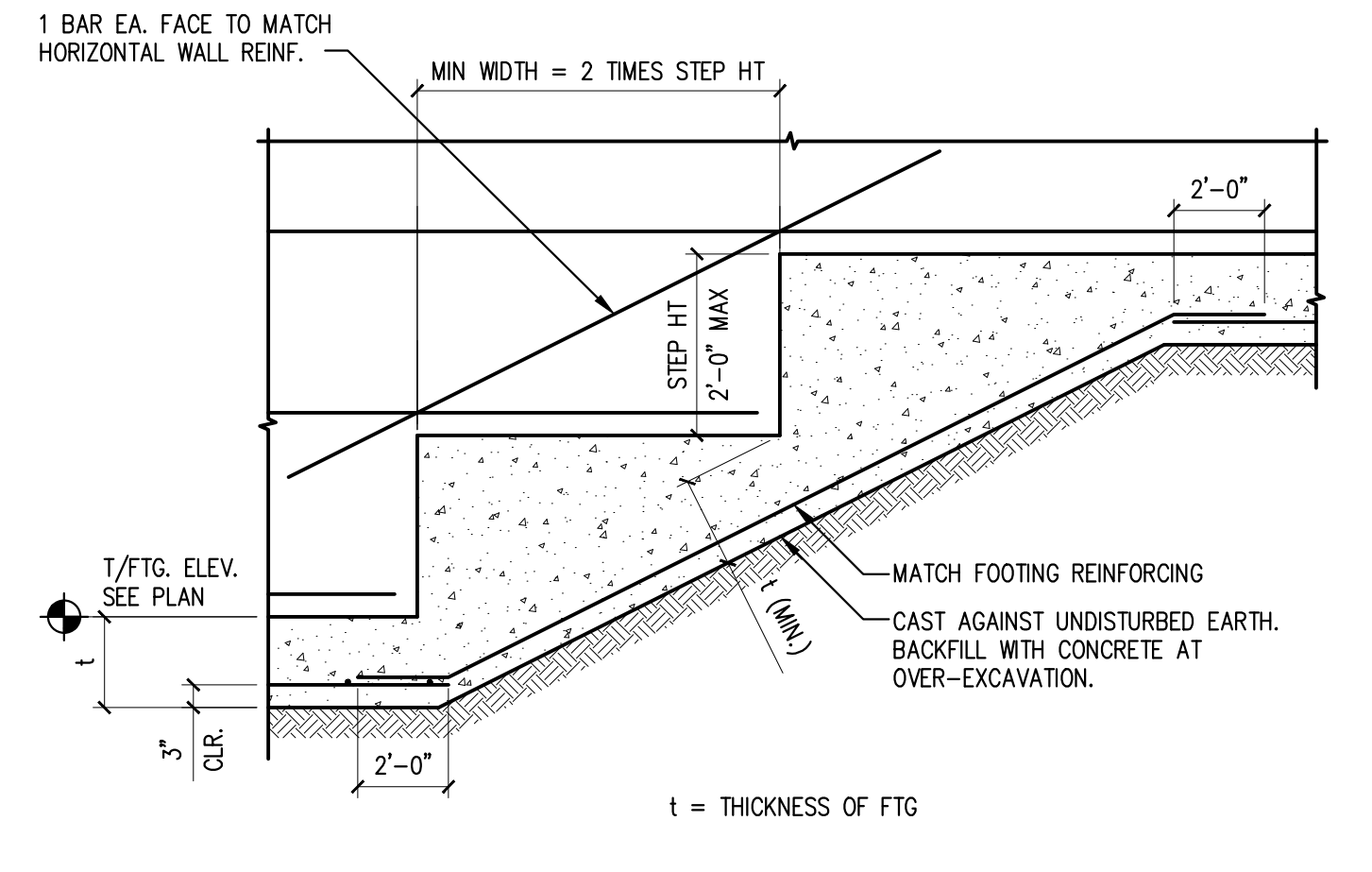


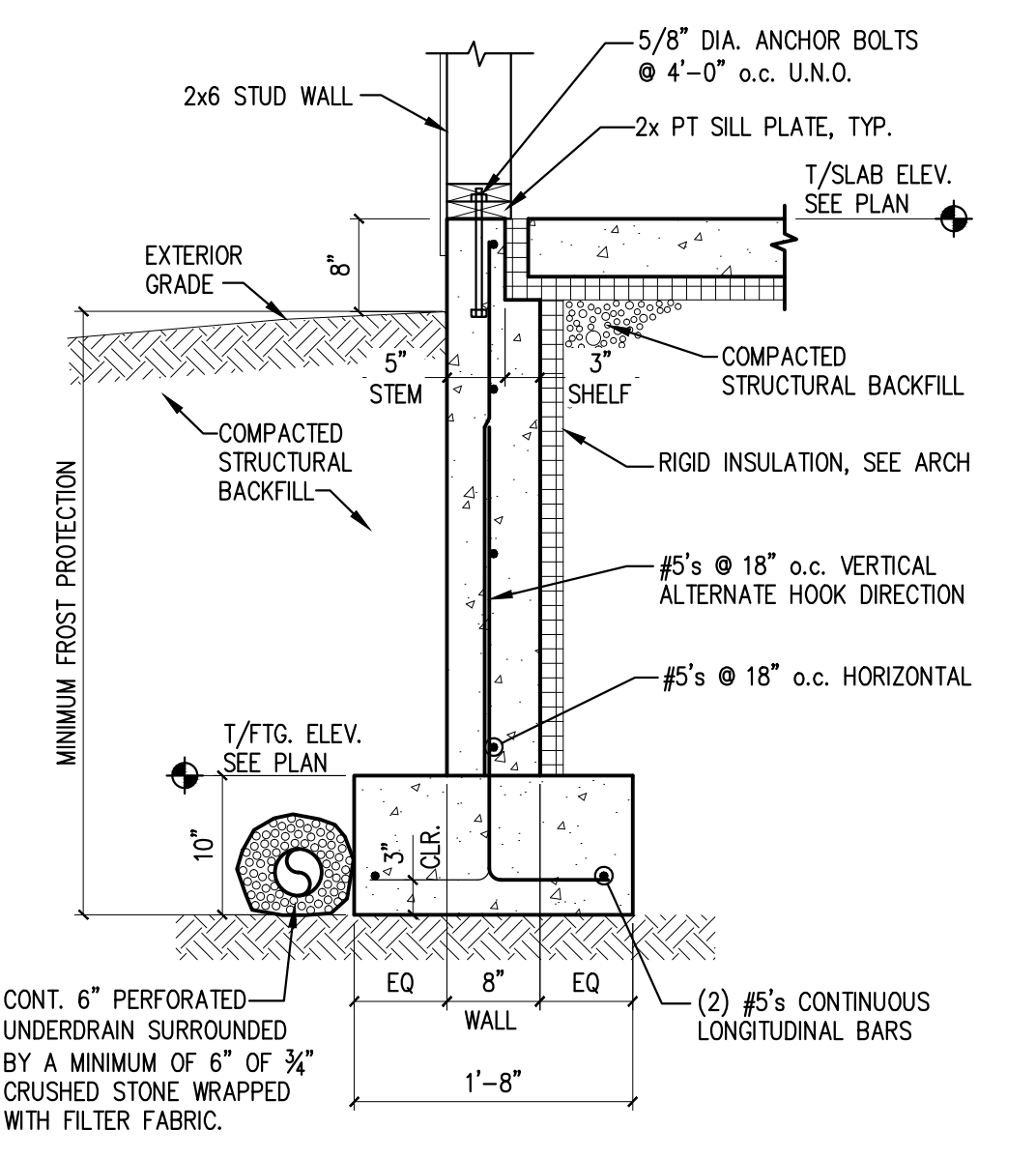
51 HANCOCK STREET  
PORTLAND  
NEW BUILDING

PRELIMINARY  
NOT FOR CONSTRUCTION

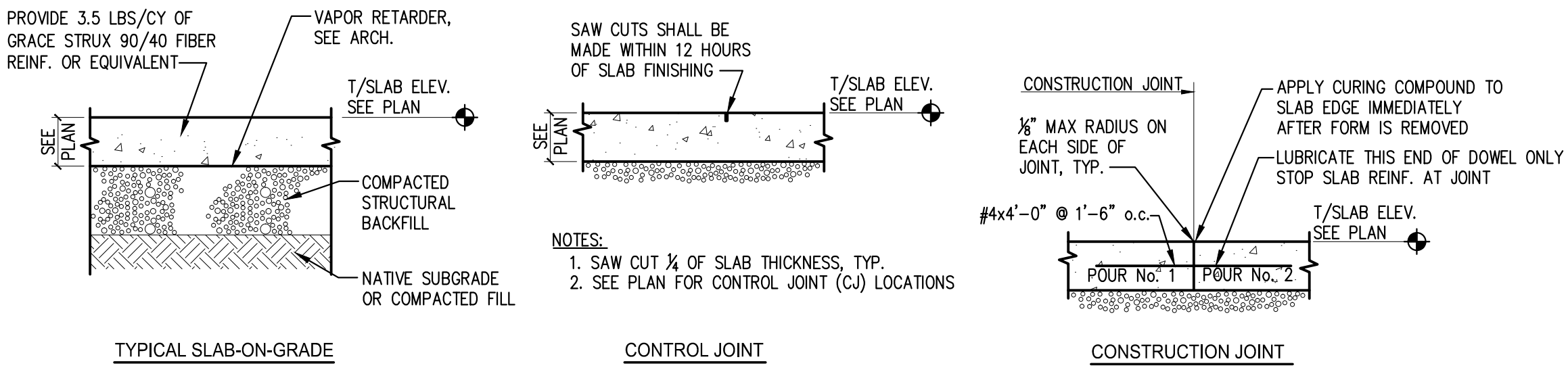
REBAR LAP SPLICE TABLE		
BAR SIZE	4500 PSI CONCRETE	3000 PSI CONCRETE
#3	16"	18"
#4	20"	24"
#5	24"	30"
#6	30"	36"
#7	40"	48"
#8	48"	56"
#9	54"	64"



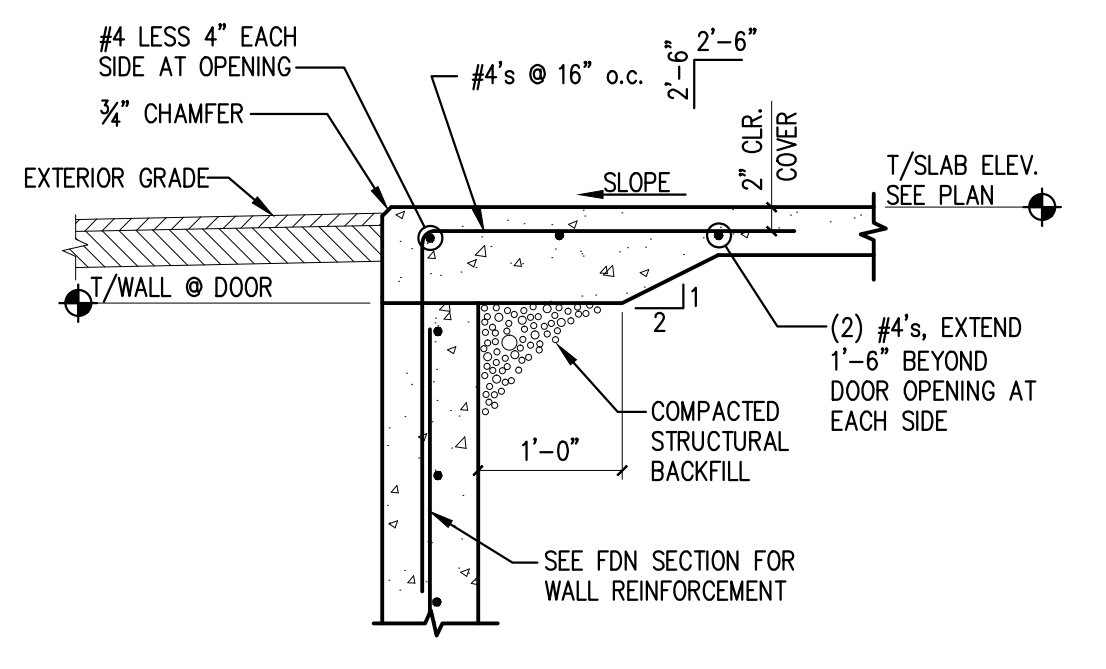
**TYPICAL STEPPED FOOTING DETAIL**  
SCALE: NTS



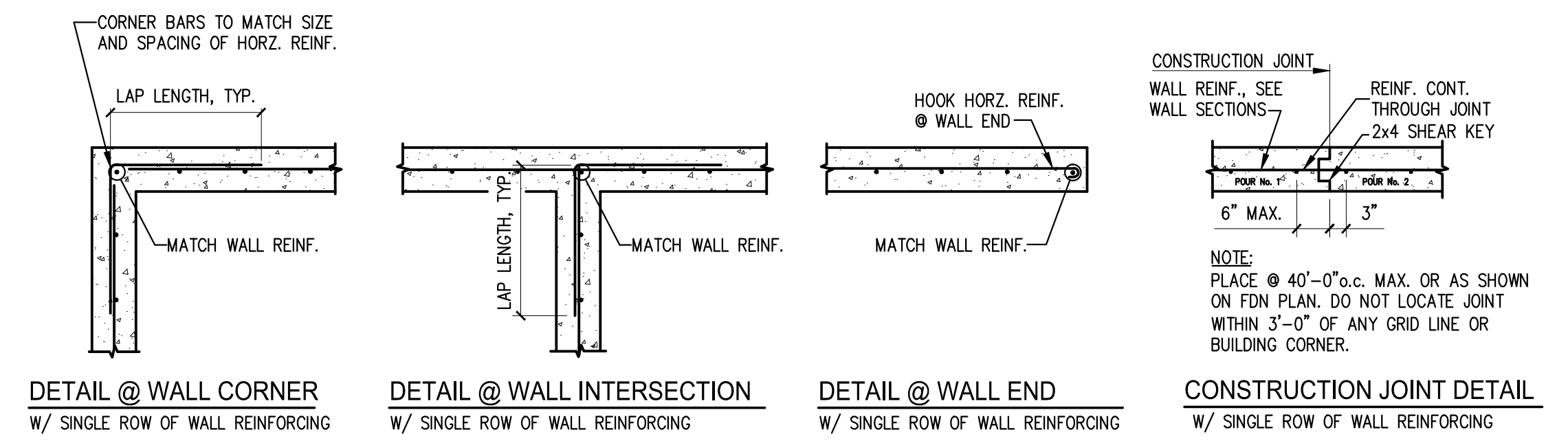
**TYPICAL WALL SECTION**  
SCALE: 3/4" = 1'-0"



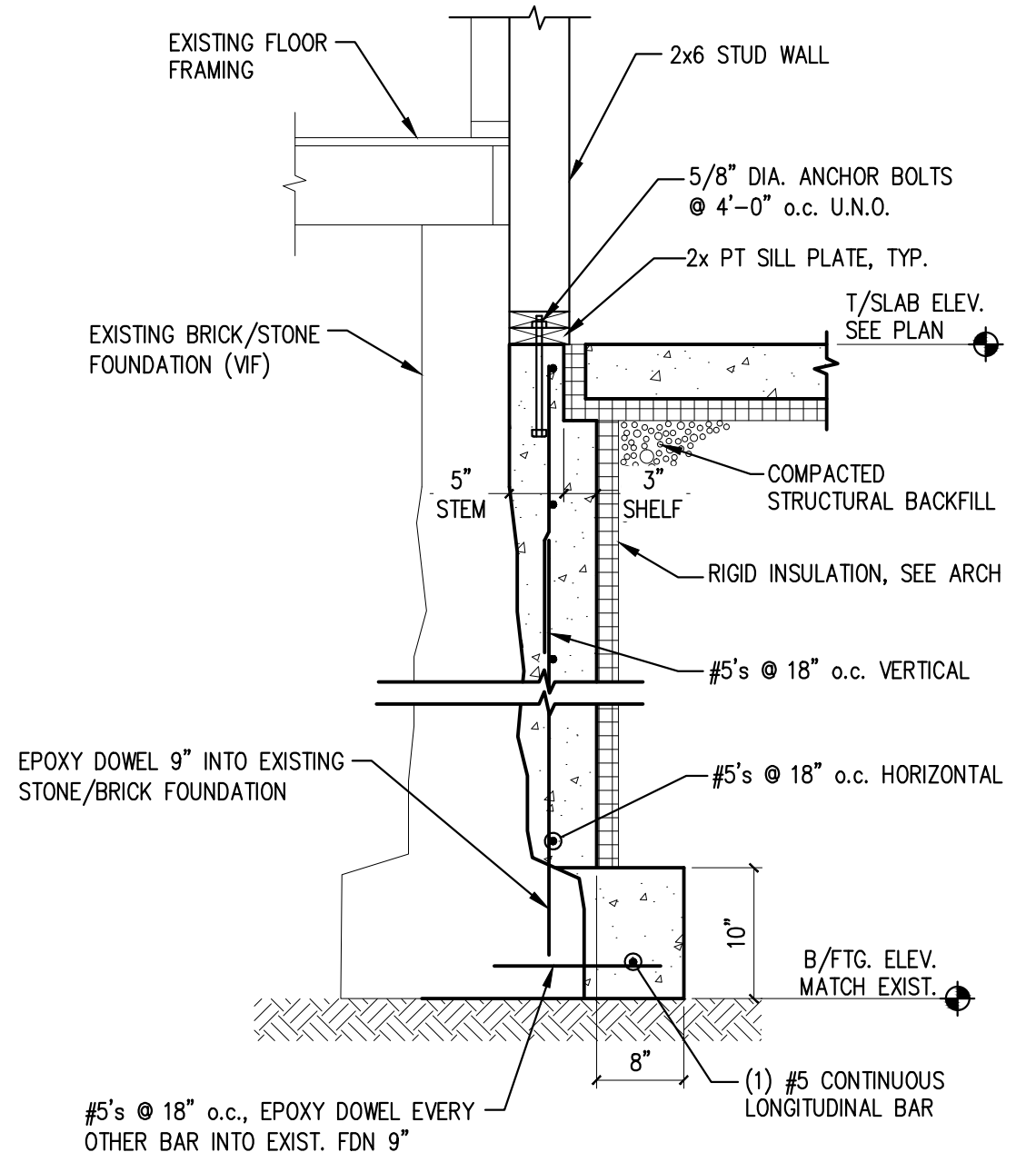
**TYPICAL SLAB-ON-GRADE DETAILS**  
SCALE: NTS



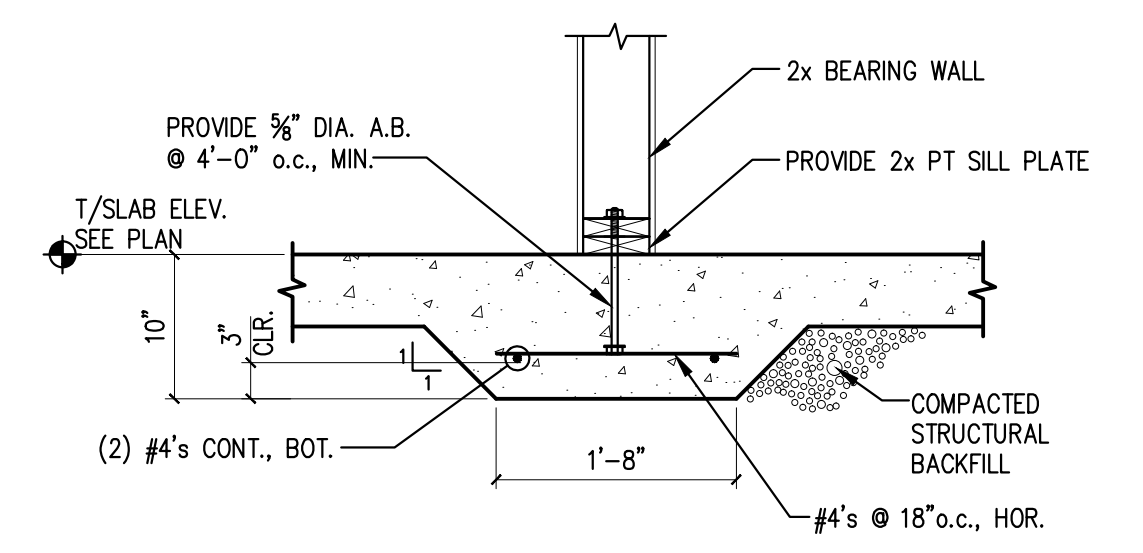
**TYPICAL SLAB DETAIL AT DOOR**  
SCALE: NTS



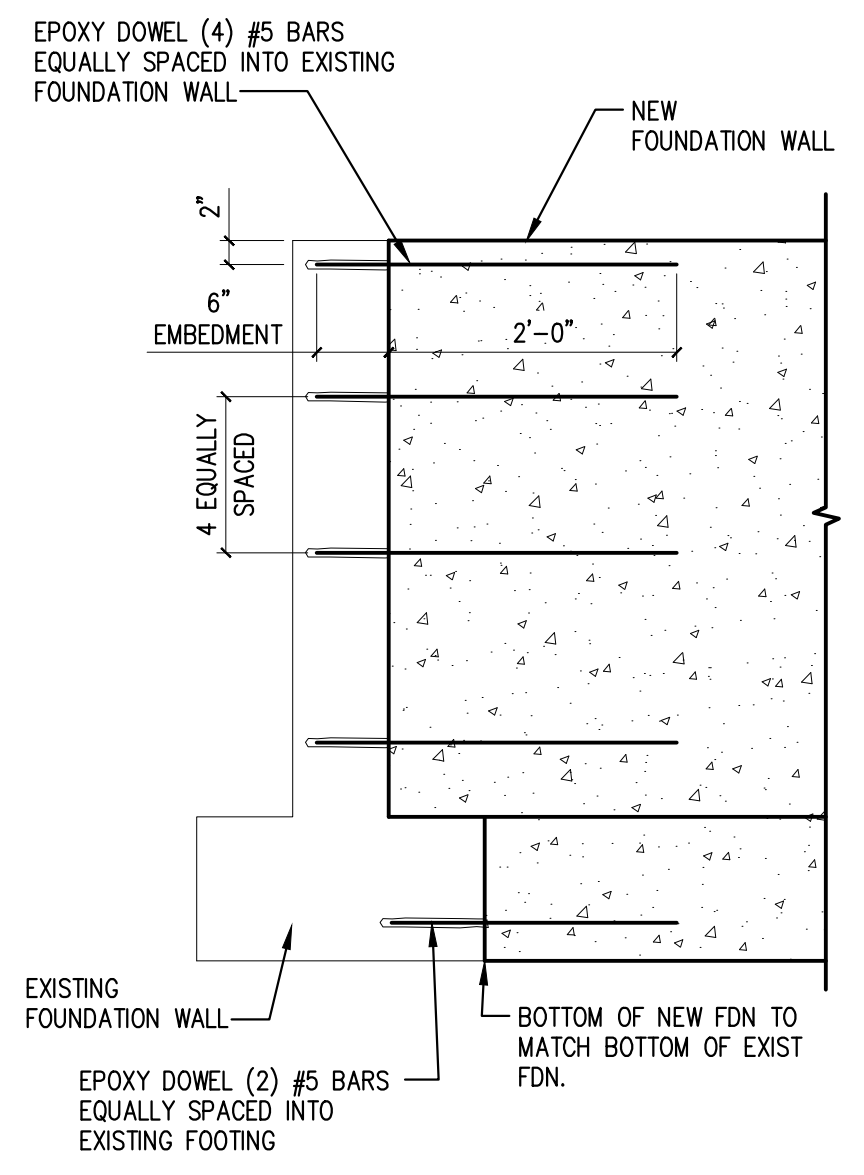
**TYPICAL FOUNDATION WALL DETAILS**  
SCALE: NTS



**TYPICAL WALL SECTION AT EXIST. BUILDING**  
SCALE: 3/4" = 1'-0"



**TYPICAL THICKENED SLAB DETAIL**  
SCALE: NTS



**TYPICAL DETAIL AT EXISTING FDN WALL**  
SCALE: NTS

No.	ISSUED	DESCRIPTION	DR.	CHK.	DATE
			BY	BY	TD
A	ISSUED FOR PERMIT - NOT FOR CONSTRUCTION				1-7-15

SHEET TITLE:  
**TYP. CONCRETE DETAILS AND SECTIONS**

DESIGNED:	TD
DRAWN:	TD
DATE:	1-6-15
PROJECT NUMBER:	15-004

PRINTED: Jan 07, 2015