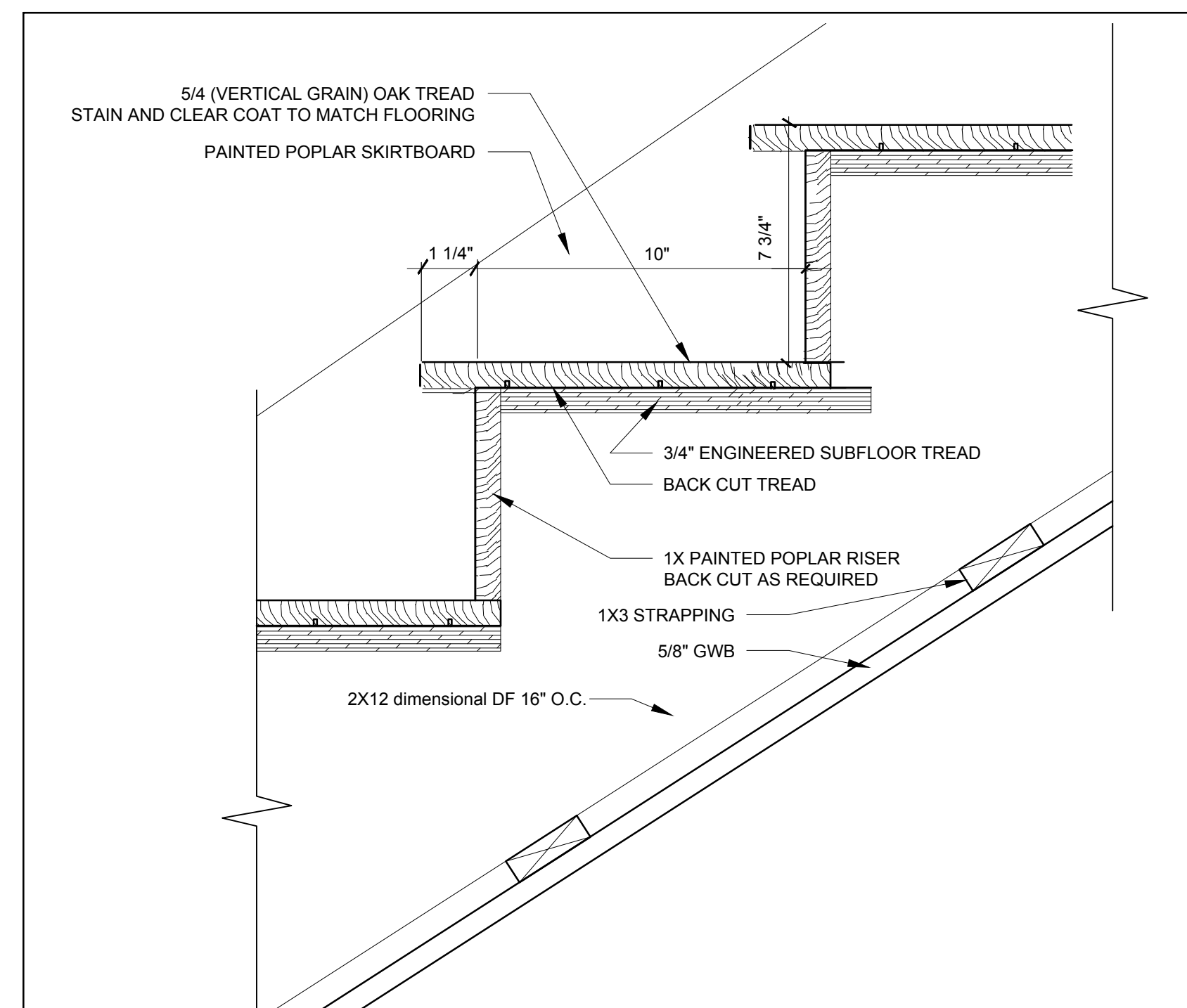
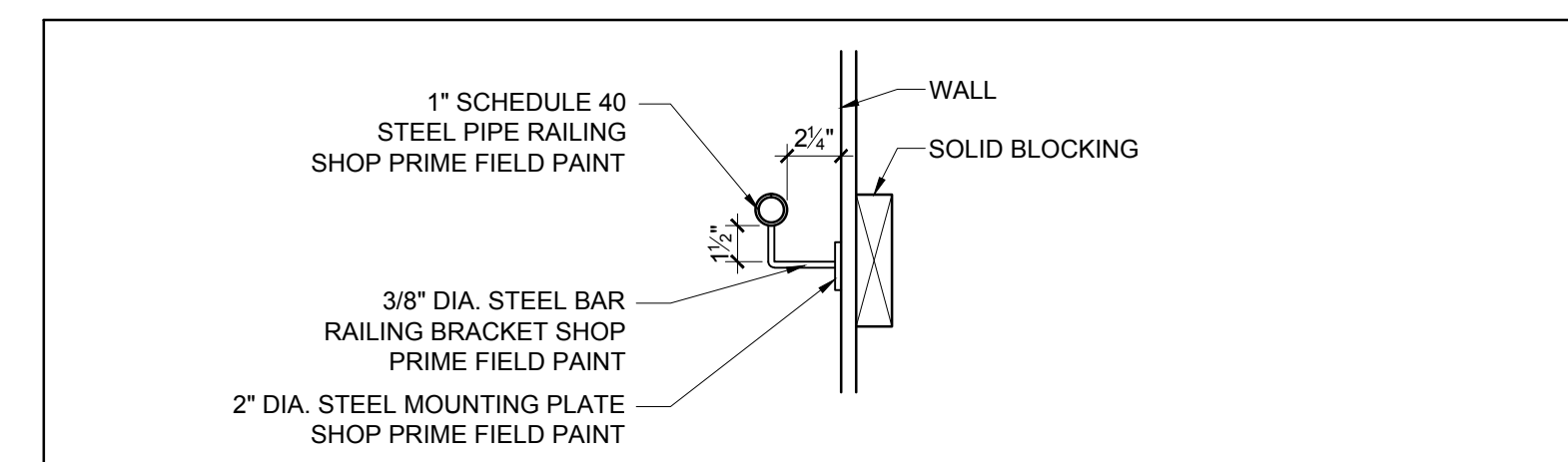


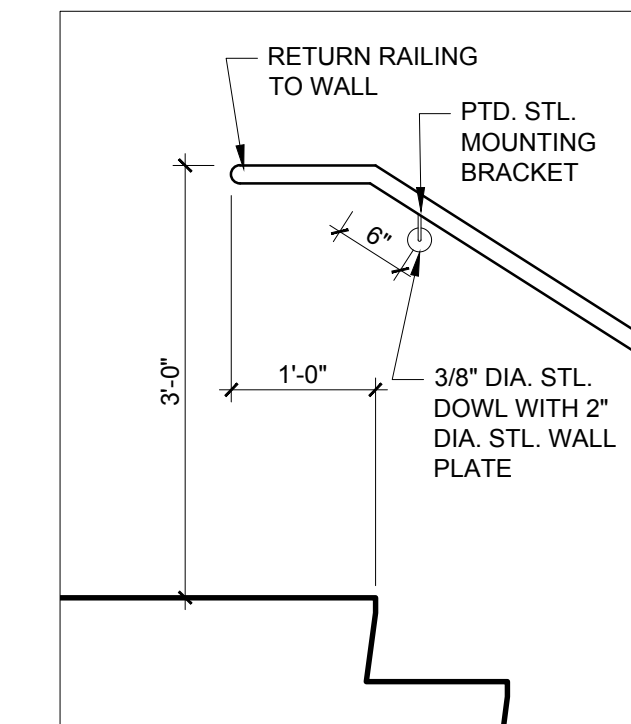
S-01 Typical Tread and Riser Detail for Egress Strair (Floors 1st to 3rd)
3" = 1'-0"



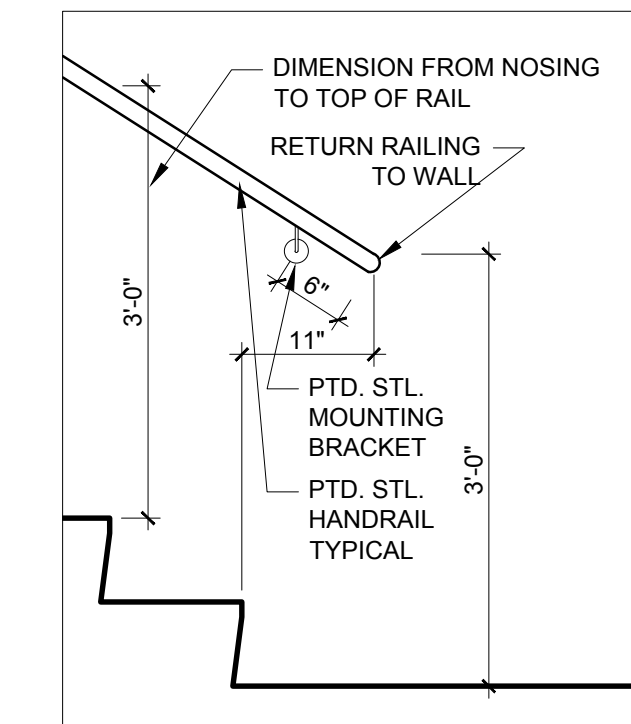
S-02 Typical Tread and Riser Detail for Strair from 3rd Floor to Mezzanine
3" = 1'-0"



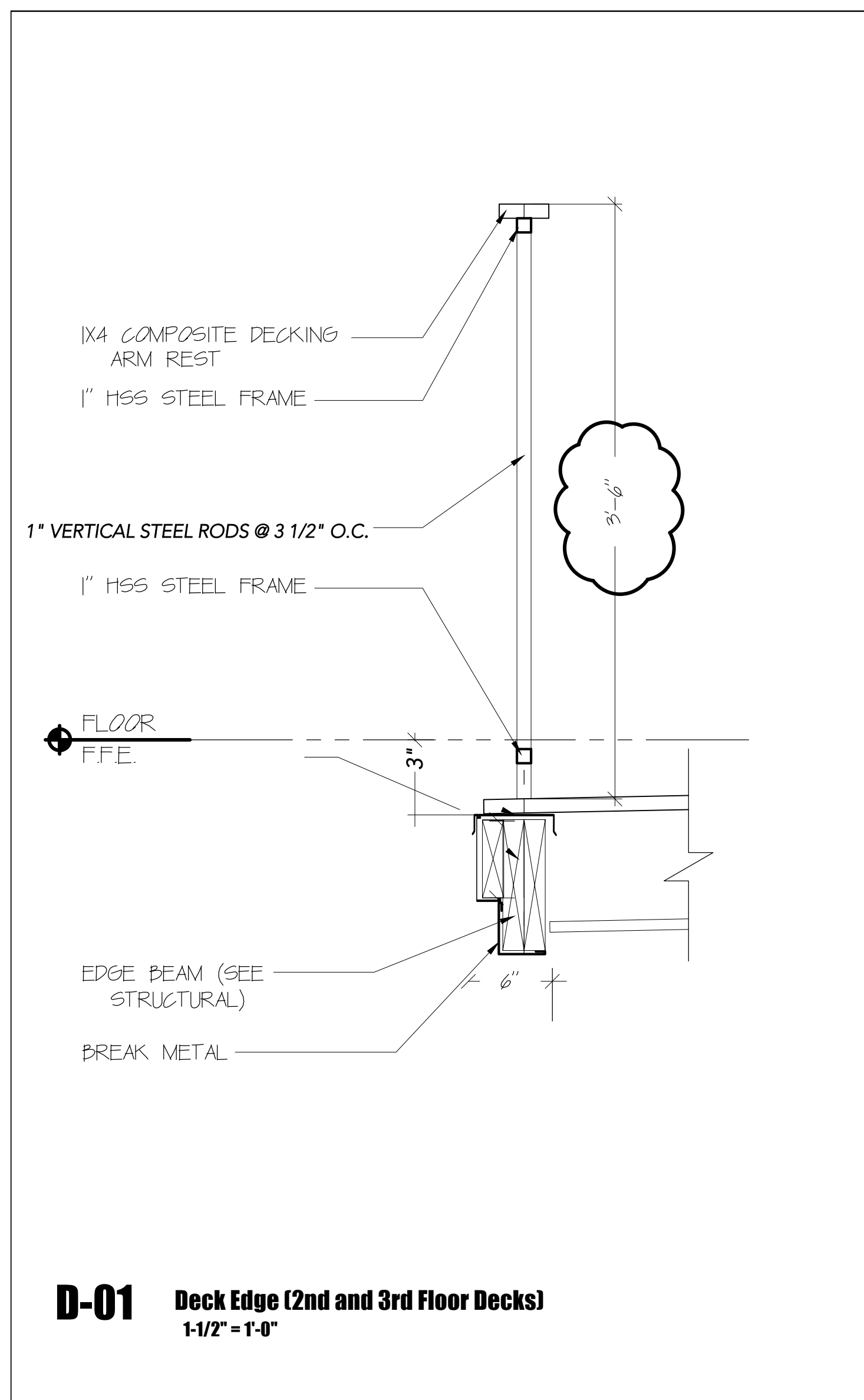
S-03 Typical Handrail Section Detail
1-1/2" = 1'-0"



S-04 Typical Handrail at top of stair
3/4" = 1'-0"



S-05 Typical Handrail at bottom of stair
3/4" = 1'-0"



D-01 Deck Edge (2nd and 3rd Floor Decks)
1-1/2" = 1'-0"