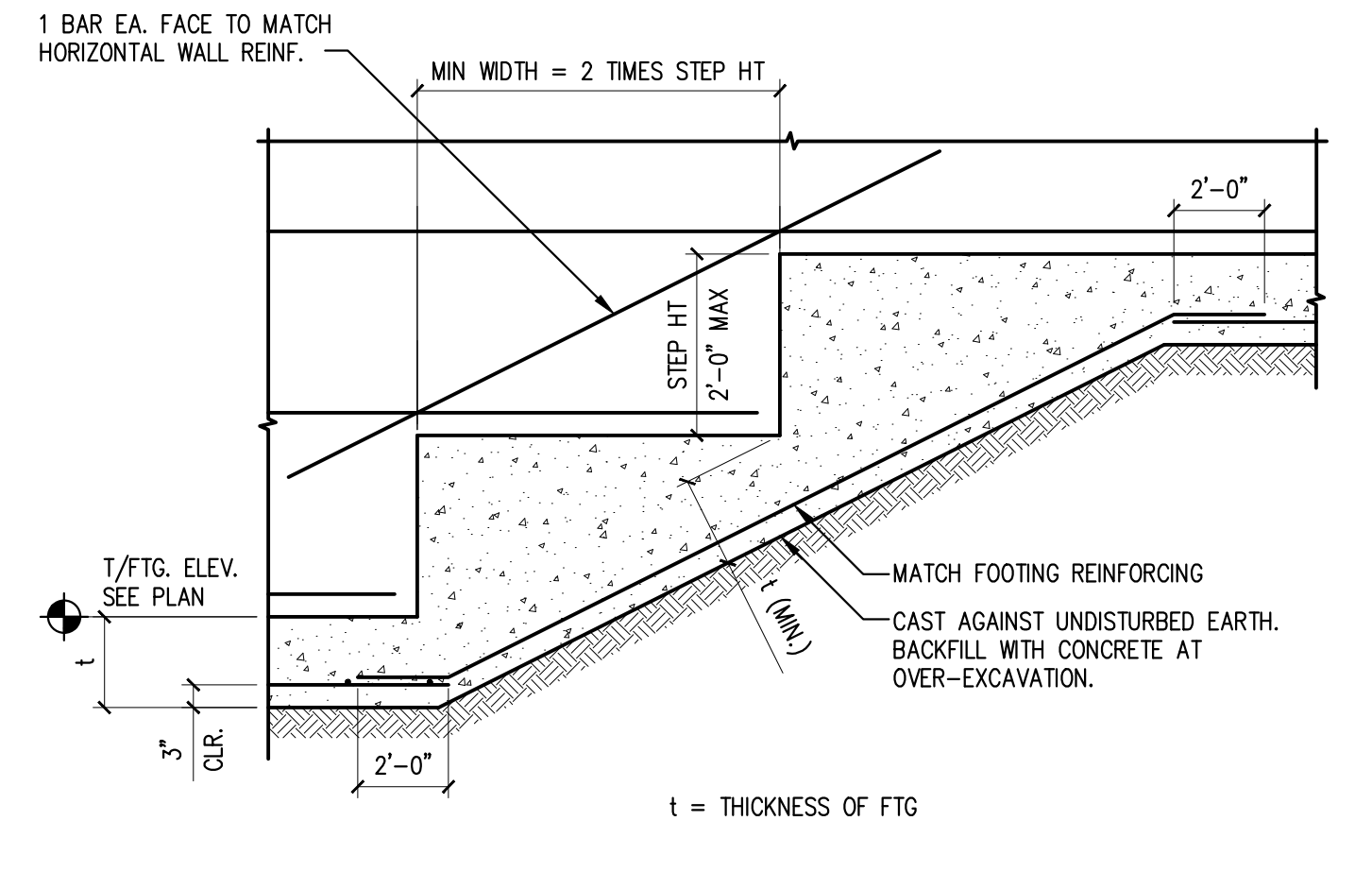


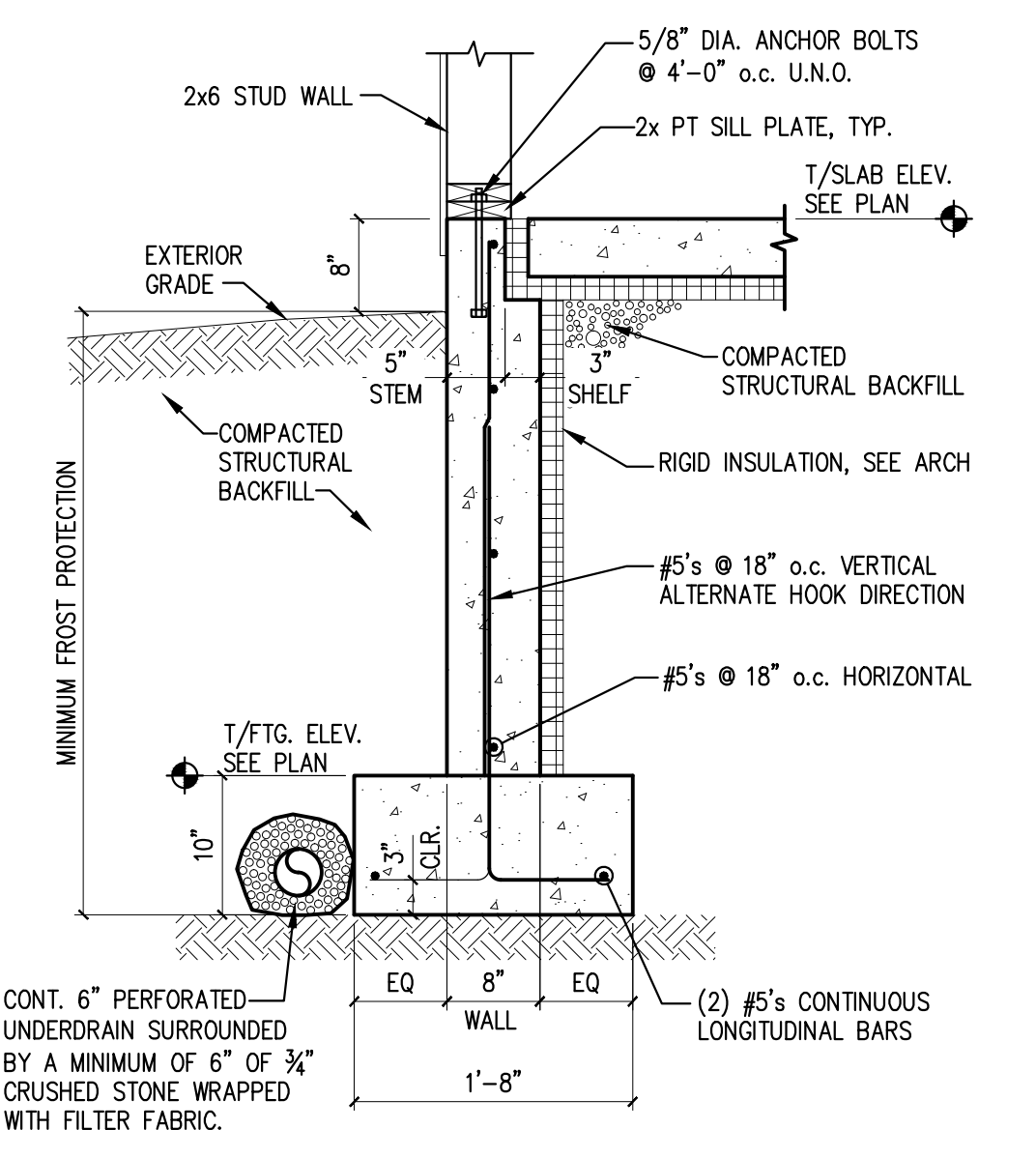
51 HANCOCK STREET
PORTLAND
NEW BUILDING

PRELIMINARY
NOT FOR CONSTRUCTION

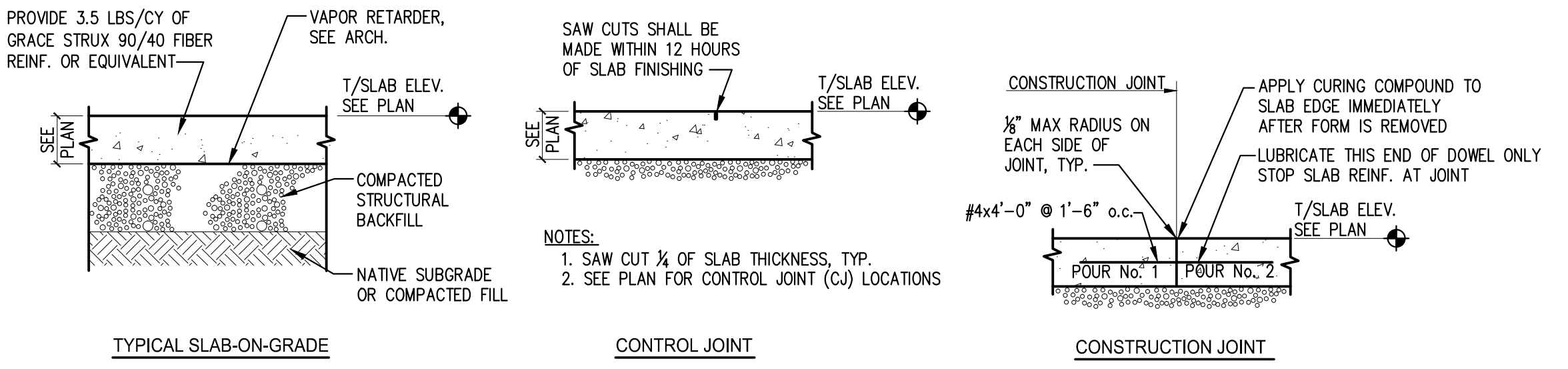
REBAR LAP SPLICE TABLE		
BAR SIZE	4500 PSI CONCRETE	3000 PSI CONCRETE
#3	16"	18"
#4	20"	24"
#5	24"	30"
#6	30"	36"
#7	40"	48"
#8	48"	56"
#9	54"	64"



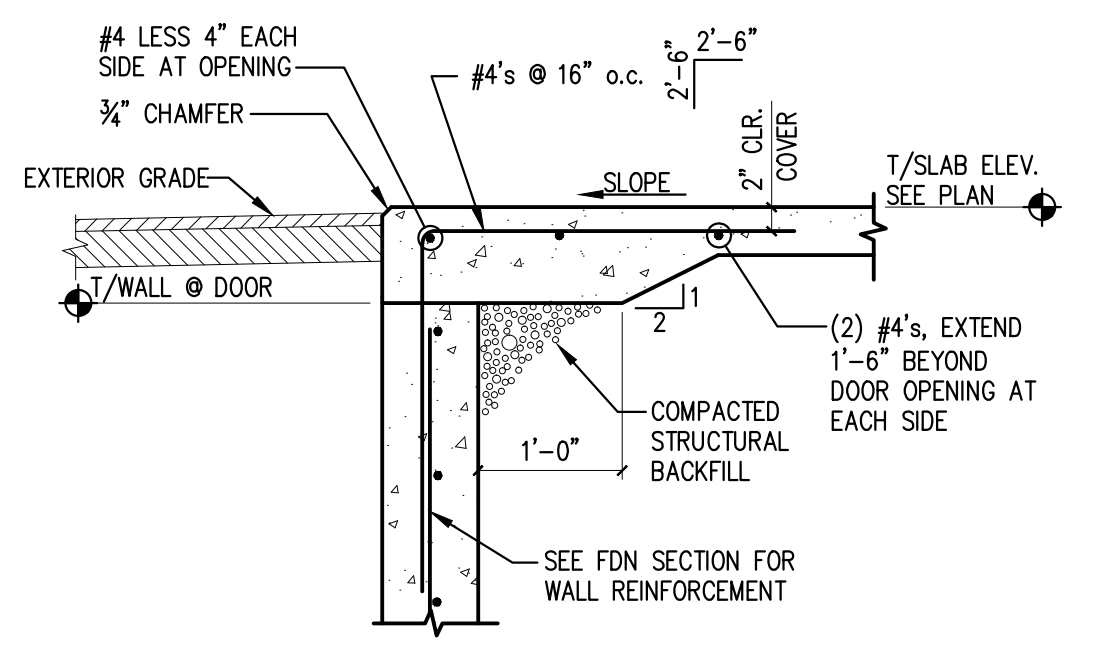
TYPICAL STEPPED FOOTING DETAIL
SCALE: NTS



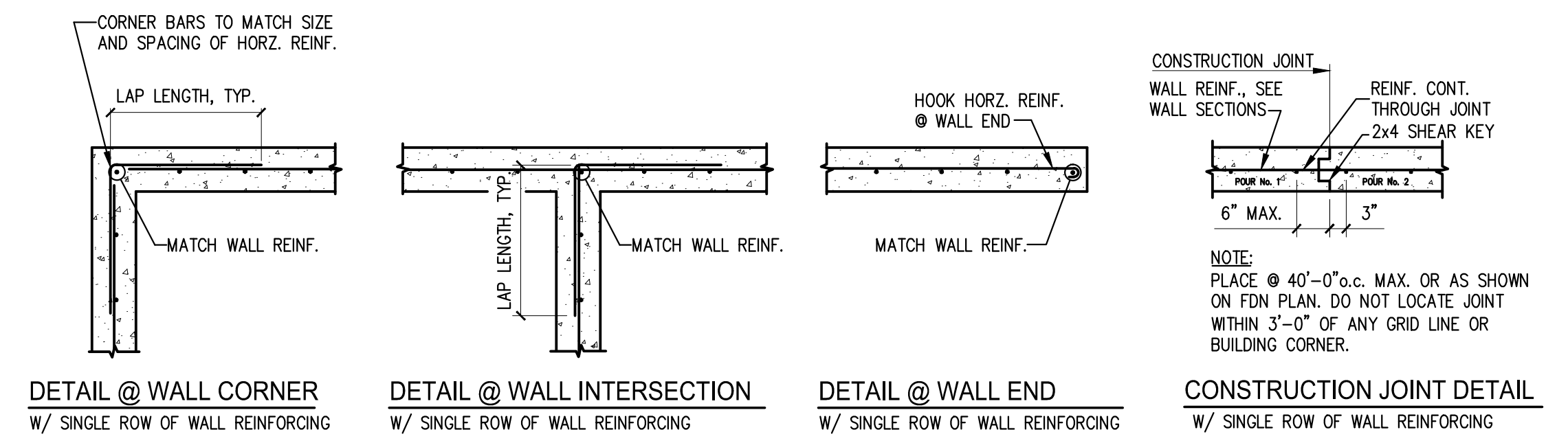
TYPICAL WALL SECTION
SCALE: 3/4" = 1'-0"



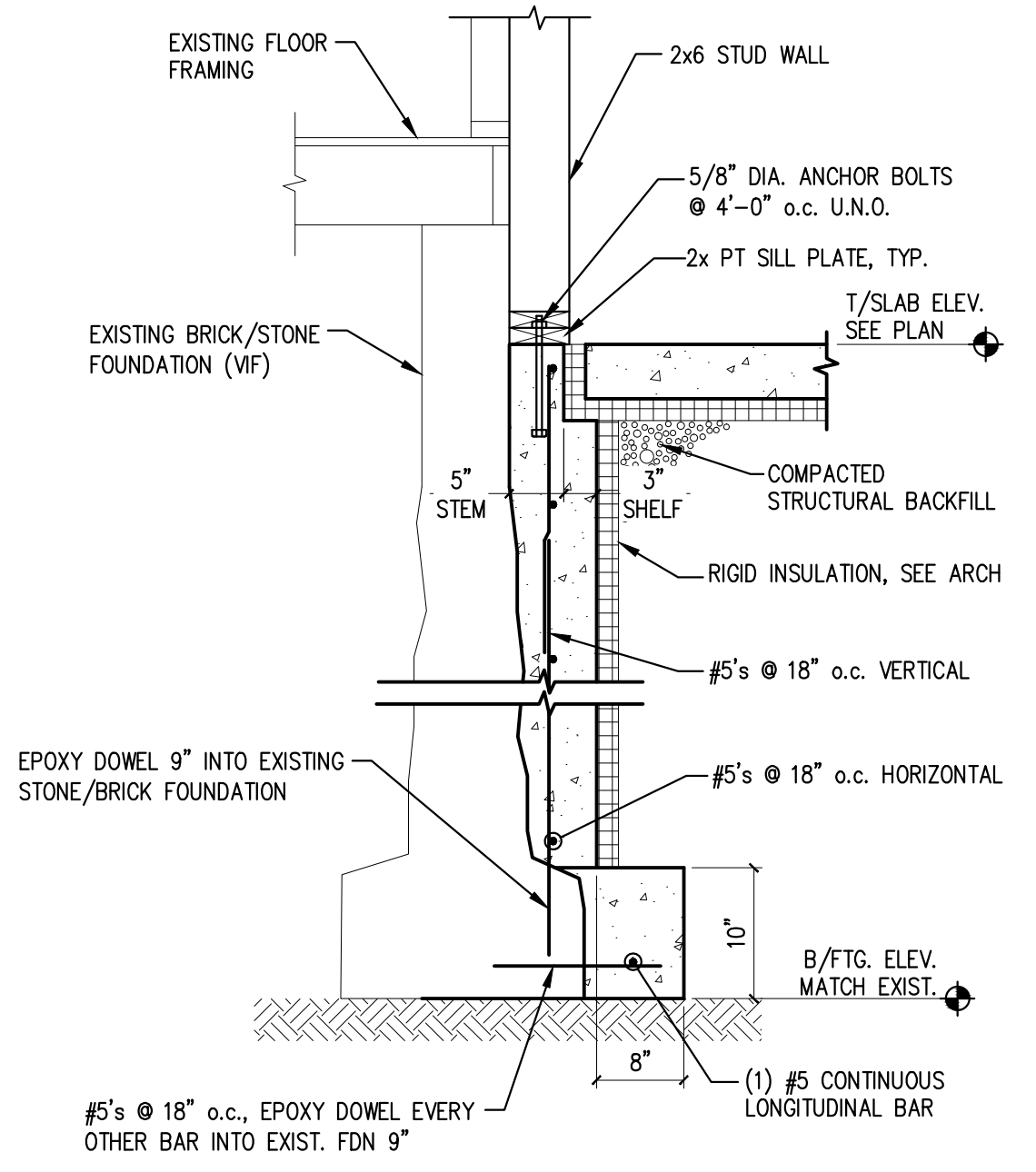
TYPICAL SLAB-ON-GRADE DETAILS
SCALE: NTS



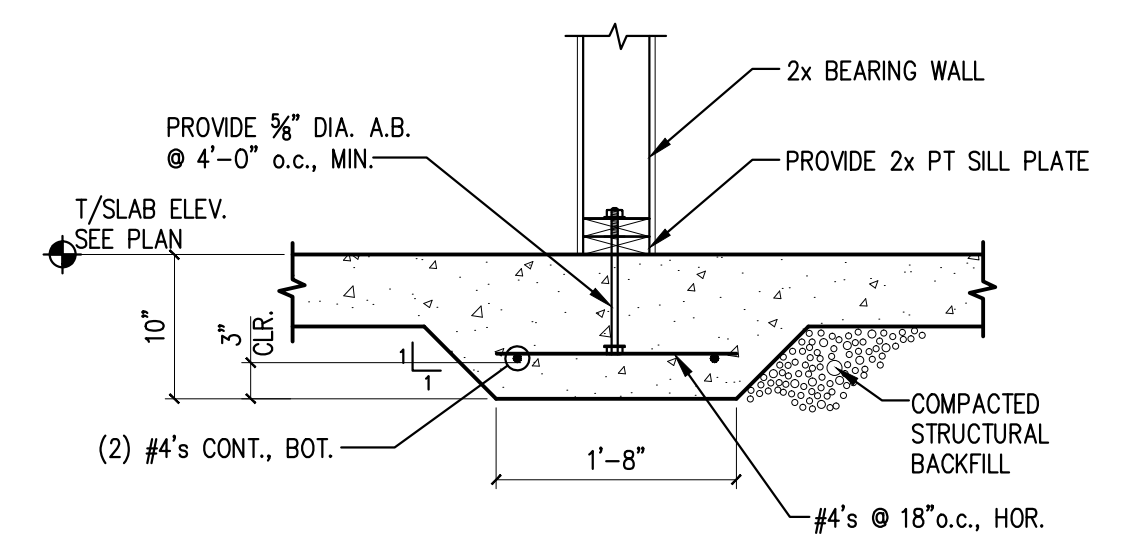
TYPICAL SLAB DETAIL AT DOOR
SCALE: NTS



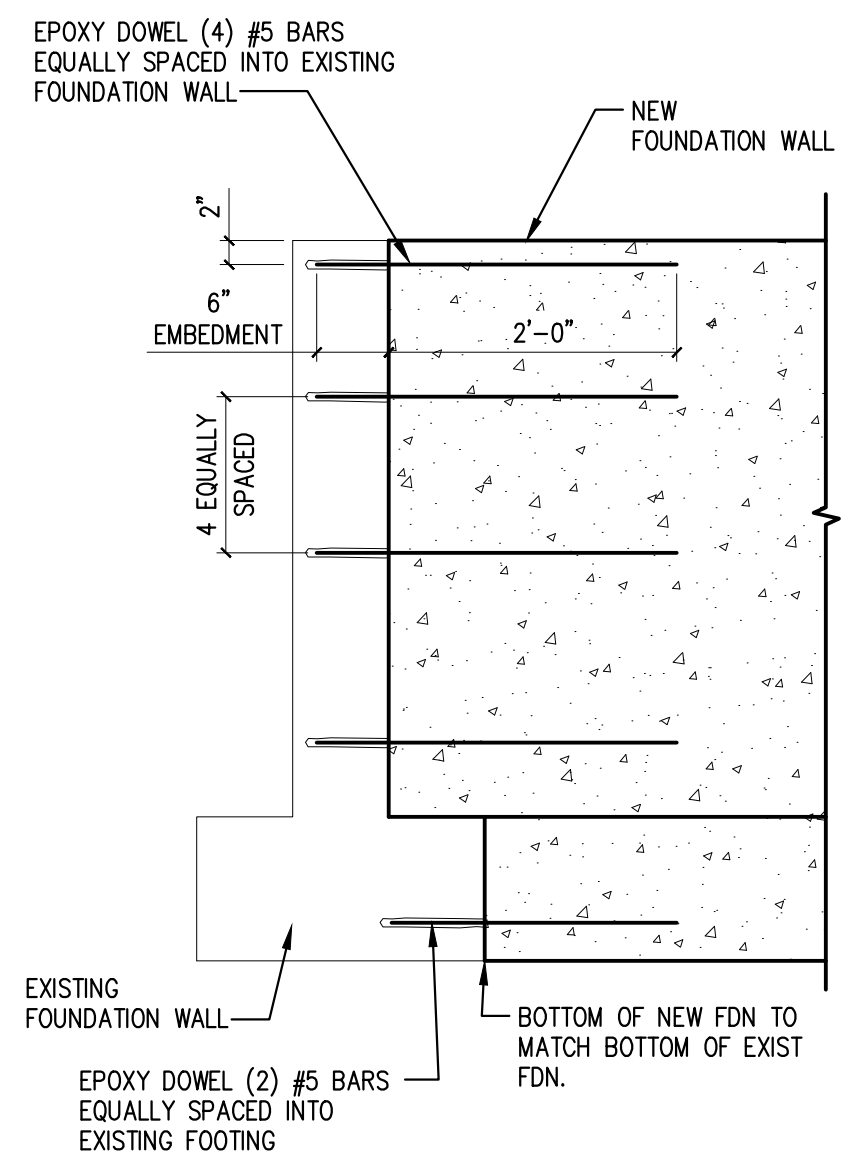
TYPICAL FOUNDATION WALL DETAILS
SCALE: NTS



TYPICAL WALL SECTION AT EXIST. BUILDING
SCALE: 3/4" = 1'-0"



TYPICAL THICKENED SLAB DETAIL
SCALE: NTS



TYPICAL DETAIL AT EXISTING FDN WALL
SCALE: NTS

No.	ISSUED	DESCRIPTION	DR.	DATE
			BY	TD
A	ISSUED FOR PERMIT - NOT FOR CONSTRUCTION		TD	1-7-15

SHEET TITLE:
TYP. CONCRETE DETAILS AND SECTIONS

DESIGNED:	TD
DRAWN:	TD
DATE:	1-6-15
PROJECT NUMBER:	15-004

PRINTED: Jan 07, 2015