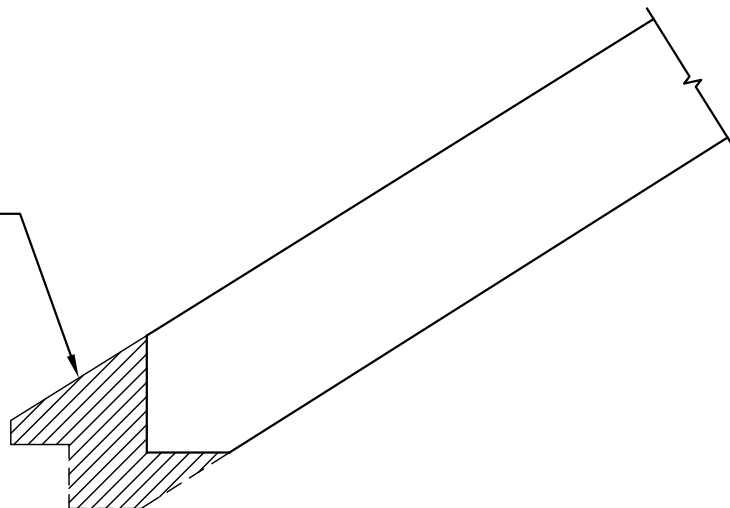
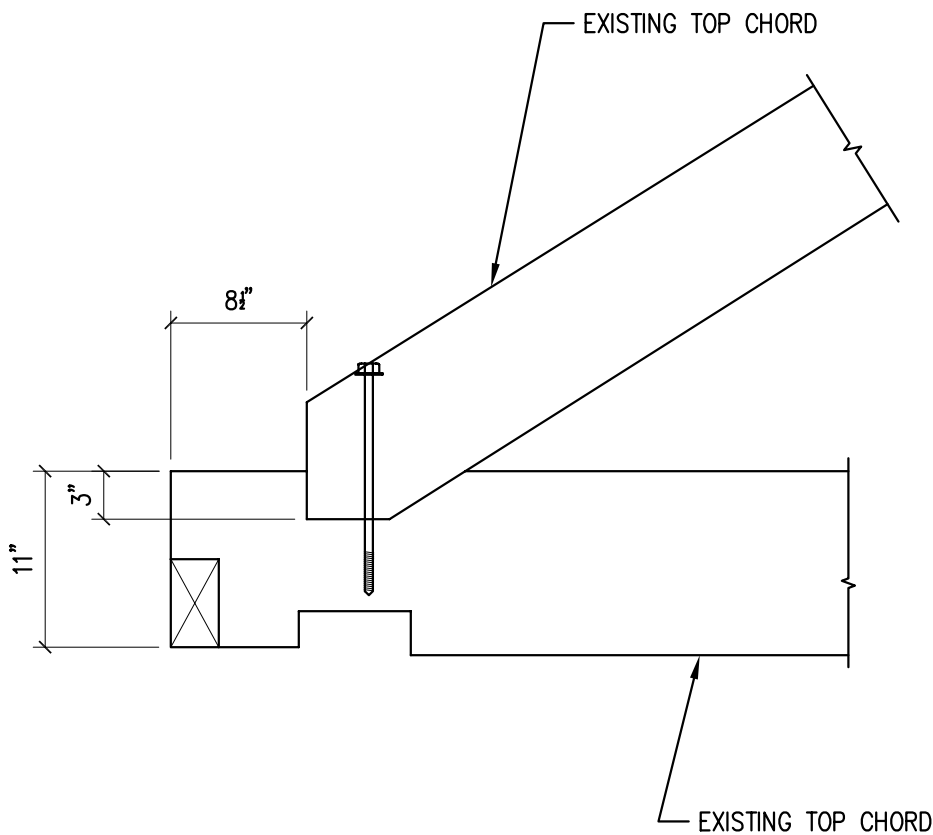


CUT EXISTING PRIMARY  
RAFTER BACK



EXISTING TOP CHORD



EXISTING TOP CHORD

PROJECT:

**ABYSSINIAN**

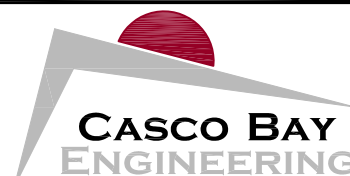
NEWBURY STREET

PORTLAND, MAINE

SHEET TITLE:

**SECTION**

SCALE: 1"=1'-0"



424 Fore Street, Portland, ME 04101  
Tel. 207.842.2800 Fax 207.842.2828  
[www.cascobayengineering.com](http://www.cascobayengineering.com)

DESIGNED: SM

DRAWN: SM

DATE: 4-28-08

REVISION/DATE:

PROJECT NUMBER: 5009

**SK4**