



Submittal Data Sheet

1.0-Ton Wall Mounted Unit

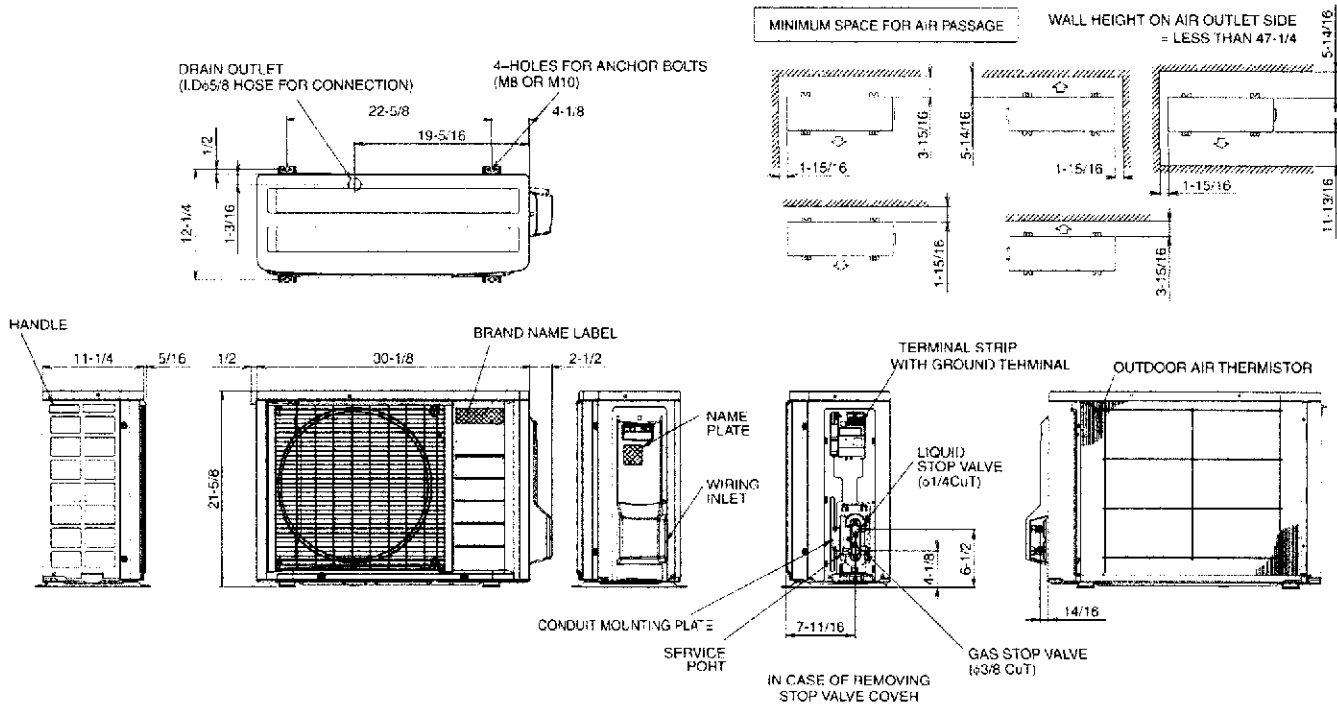
FTXS12LVJURXS12LVJU

OUTDOOR UNIT DETAILS

Power Supply (V/Hz/Ph):	208-230 / 60 / 1	Compressor Type:	Inverter
Power Supply Connections:	L1, L2, Ground	Capacity Control Range (%):	-
Min. Circuit Amps MCA (A):	8.80	Airflow Rate (H) (CFM):	1,183
Max Overcurrent Protection (MOP) (A):	15.00	Gas Pipe Connection (inch):	3/8
Max Starting Current MSC(A):		Liquid Pipe Connection (inch):	1/4
Rated Load Amps RLA(A):	5.3	Sound Pressure () (dBA):	
Dimensions (HxWxD) (in):	21-5/8 x 30-1/8 x 11-1/4	Sound Power Level (dBA):	61
Net Weight (lb):	75		

DIMENSIONAL DRAWING - OUTDOOR UNIT

RXS09/12D(A)VJU
Unit (in.)



Daikin North America LLC, 5151 San Felipe, Suite 500, Houston, TX, 77056

Daikin City Generated Submittal Data

www.daikinac.com www.daikincomfort.com

(Daikin's products are subject to continuous improvements. Daikin reserves the right to modify product design, specifications and information in this data sheet without notice and without incurring any obligations)



Submittal Data Sheet

4 PORT HP, DUCTLESS OD 3 TON

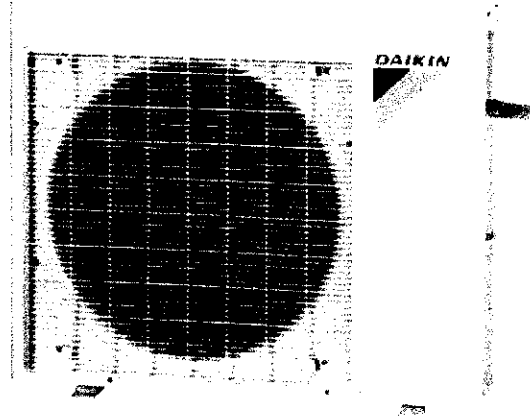
4MXS36NMVJU

FEATURES

- Up to 18.9 SEER / Up to 12.7 EER / Up to 12.5 HSPF
- High-efficiency inverter driven swing compressor
- Low ambient heating to 5°F / -4°F with optional drain pan heater
- Specialized drain pan design for improved cold climate drainage

BENEFITS

- 12 Year limited parts warranty with online registration
- 5 Year limited parts warranty for commercial applications
- High efficiency cooling and heating operation provides utility bill savings
- Multiple indoor unit style options: wall mounted, floor standing, ceiling cassette, slim duct
- May qualify for regional utility rebates and incentives
- Compatible with optional Daikin ENVI Wi-Fi capable Smart Control





Submittal Data Sheet

4 PORT HP, DUCTLESS OD 3 TON

4MXS36NMVJU

PERFORMANCE

Outdoor Unit Model No.	4MXS36NMVJU	Outdoor Unit Name:	4 PORT HP, DUCTLESS OD 3 TON
Type:	Heat Pump		
Rated Cooling Conditions:	Indoor (°F DB/DB): 80 / 67 Ambient (°F DB/WB): 95 / 75	Rated Heating Conditions:	Indoor (°F DB/WB): 70 / 60 Ambient (°F DB/WB): 47 / 43
Rated Piping Length(ft):	25		
Rated Height Difference (ft):	49.00		
Rated Cooling Capacity (Btu/hr):	36,000	Rated Heating Capacity (Btu/hr):	36,000
Cooling Input Power (kW):		Heating Input Power (kW):	
EER (Non-Ducted/Ducted):	9.20 / 7.90	Heating COP (Non-Ducted/Ducted):	4.5 / 3.5
SEER (Non-Ducted/Ducted):	17.70 / 14.00	HSPF (Non-Ducted/Ducted):	12.2 / 8.2
Max/Min Cooling Capacity (Btu/hr):	36,000 /	Max/Min Heating Capacity (Btu/hr):	43,000 /

OUTDOOR UNIT DETAILS

Power Supply (V/Hz/Ph):	208-230 / 60 / 1	Compressor Type:	Inverter
Power Supply Connections:	L1, L2, Ground	Capacity Control Range (%):	-
Min. Circuit Amps MCA (A):	19.75	Airflow Rate (H) (CFM):	2,613
Max Overcurrent Protection (MOP) (A):	20.00	Gas Pipe Connection (inch):	1/2
Max Starting Current MSC(A):	17.50	Liquid Pipe Connection (inch):	1/4
Rated Load Amps RLA(A):	17.5	Sound Pressure (H) (dBA):	54
Dimensions (HxWxD) (in):	28-15/16 x 34-1/4 x 12-5/8	Sound Power Level (dBA):	
Net Weight (lb):	139		

Daikin North America LLC, 5151 San Felipe, Suite 500, Houston, TX, 77056

Daikin City Generated Submittal Data

www.daikinac.com www.daikincomfort.com

(Daikin's products are subject to continuous improvements. Daikin reserves the right to modify product design, specifications and information in this data sheet without notice and without incurring any obligations)

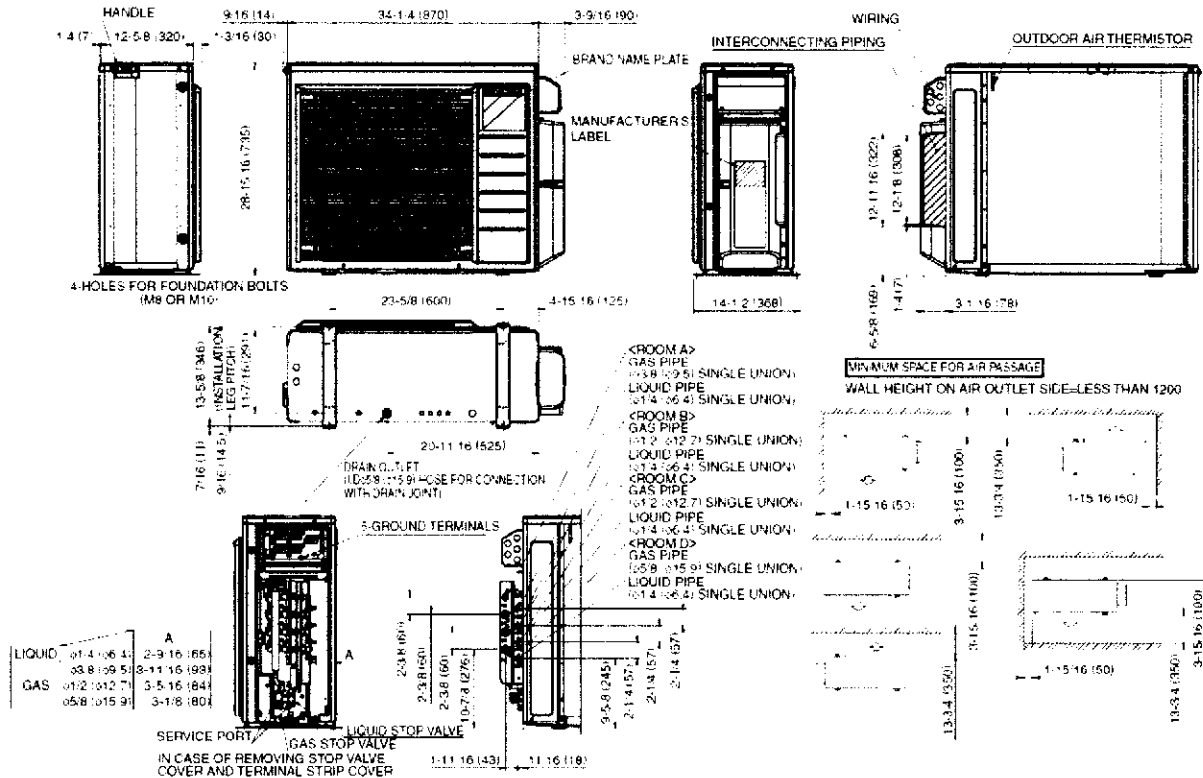


Submittal Data Sheet
4 PORT HP, DUCTLESS OD 3 TON
4MXS36NMVJU

SYSTEM DETAILS

Refrigerant Type:	R-410A	Cooling Operation Range (°F DB):	14 - 115
Holding Refrigerant Charge (lbs):	6.2	Heating Operation Range (°F WB):	5 - 72
Additional Charge (lb/ft):	0.01	Max. Pipe Length (Vertical) (ft):	49
Pre-charge Piping (Length) (ft):	132	Cooling Range w/Baffle (°F DB):	14 - 115
Max. Pipe Length (Total) (ft):	230	Heating Range w/Baffle (°F WB):	-4 - 72
Max Height Separation (Ind to Ind ft):	49		

DIMENSIONAL DRAWING



C. 3D093199



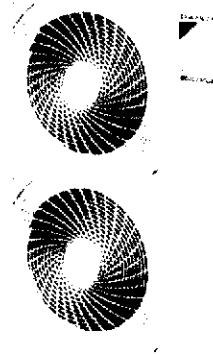
Submittal Data Sheet

03-Ton VRV-III-S Heat Pump Unit

RXYMQ36PVJU

FEATURES

- Single-phase technology enables installation in light commercial and residential applications
- Space-saving design and flexible indoor unit options offer quick and easy installation
- Standard Limited Warranty: 10-year warranty on compressor and all parts



VRV III-S

AIR CERTIFIED





Submittal Data Sheet

03-Ton VRV-III-S Heat Pump Unit

RXYMQ36PVJU

PERFORMANCE

Outdoor Unit Model No.	RXYMQ36PVJU	Outdoor Unit Name:	03-Ton VRV-III-S Heat Pump Unit
Type:	Heat Pump		
Rated Cooling Conditions:	Indoor (°F DB/DB): 80 / 67 Ambient (°F DB/WB): 95 / 75	Rated Heating Conditions:	Indoor (°F DB/WB): 70 / 70 Ambient (°F DB/WB): 47 / 43
Rated Piping Length(ft):			
Rated Height Difference (ft):	0.00		
Rated Cooling Capacity (Btu/hr):	36,000	Rated Heating Capacity (Btu/hr):	42,000
Cooling Input Power (kW):	3.05	Heating Input Power (kW):	3.27
EER (Non-Ducted/Ducted):	11.50 / 9.90	Heating COP (Non-Ducted/Ducted):	2.8 /
SEER (Non-Ducted/Ducted):	14.90 / 14.00	HSPF (Non-Ducted/Ducted):	8.2 / 8.4
Max/Min Cooling Capacity (Btu/hr):	36,000 /	Max/Min Heating Capacity (Btu/hr):	42,000 /

OUTDOOR UNIT DETAILS

Power Supply (V/Hz/Ph):	208-230 / 60 / 1	Compressor Type:	Inverter
Power Supply Connections:	L1, L2, Ground	Capacity Control Range (%):	29 - 100
Min. Circuit Amps MCA (A):	27.00	Airflow Rate (H) (CFM):	3,740
Max Overcurrent Protection (MOP) (A):	30.00	Gas Pipe Connection (inch):	5/8
Max Starting Current MSC(A):		Liquid Pipe Connection (inch):	3/8
Rated Load Amps RLA(A):	17.6	Sound Pressure (H) (dBA):	58
Dimensions (HxWxD) (in):	52-15/16 x 35-7/16 x 12-5/8	Sound Power Level (dBA):	70
Net Weight (lb):	283		



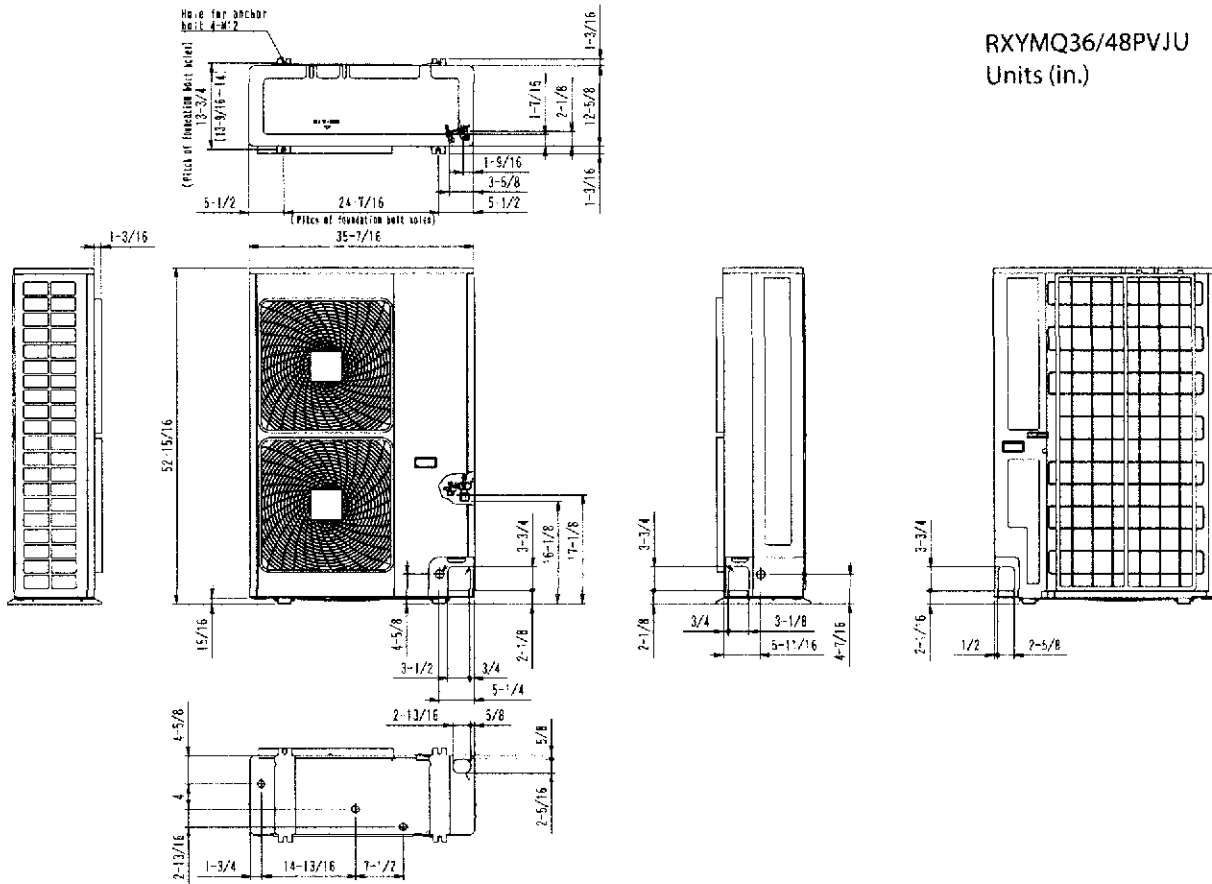
Submittal Data Sheet

03-Ton VRV-III-S Heat Pump Unit
RXYMQ36PVJU

SYSTEM DETAILS

Refrigerant Type:	R-410A	Cooling Operation Range (°F DB):	23 - 115
Holding Refrigerant Charge (lbs):	8.8	Heating Operation Range (°F WB):	0 - 77
Additional Charge (lb/ft):		Max. Pipe Length (Vertical) (ft):	
Pre-charge Piping (Length) (ft):		Cooling Range w/Baffle (°F DB):	-
Max. Pipe Length (Total) (ft):	492	Heating Range w/Baffle (°F WB):	4 - 60
Max Height Separation (Ind to Ind ft):	0		

DIMENSIONAL DRAWING



RXYMQ36/48PVJU
Units (in.)