

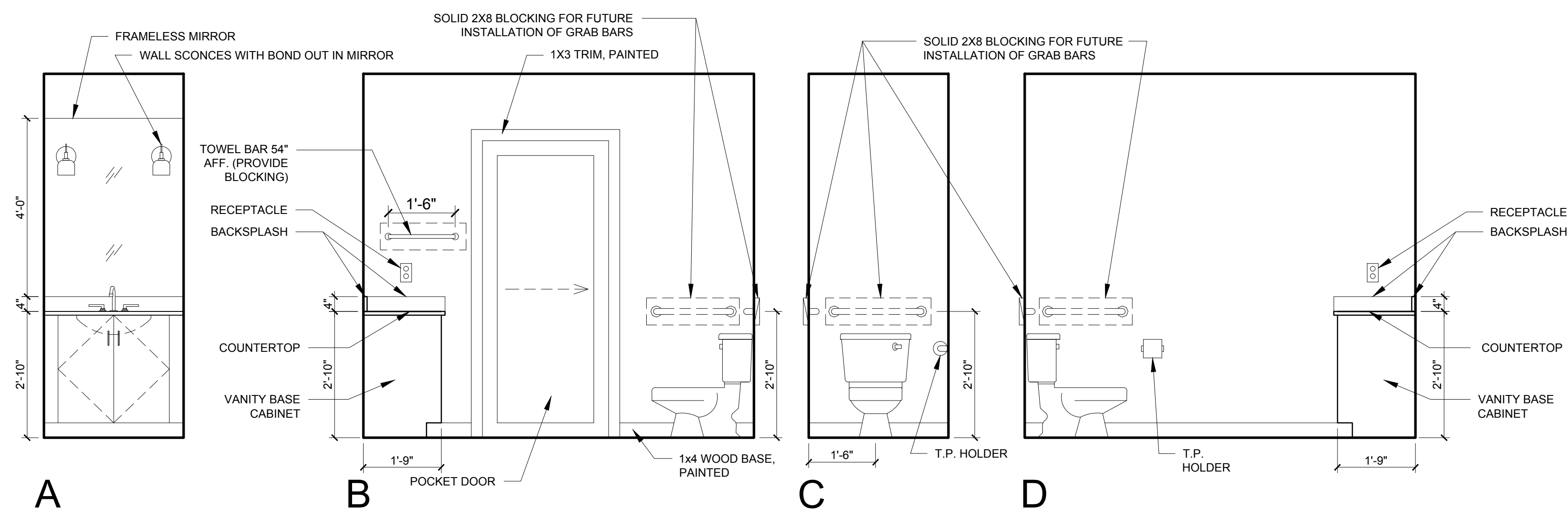
A

B

C

D

1 BATHROOM INTERIOR ELEVATION  
1/2" = 1'-0"



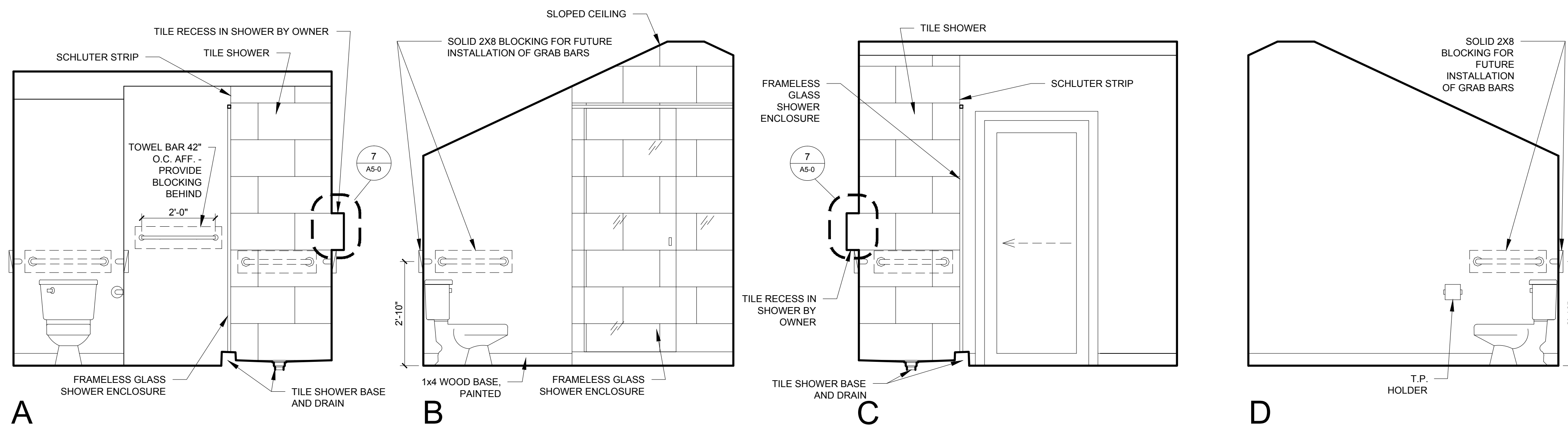
A

B

C

D

2 BATHROOM INTERIOR ELEVATION  
1/2" = 1'-0"



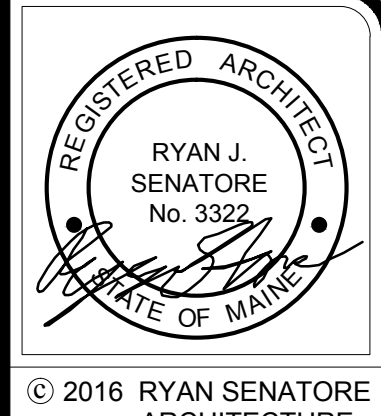
A

B

C

D

3 BATHROOM INTERIOR ELEVATION  
1/2" = 1'-0"



© 2016 RYAN SENATORE ARCHITECTURE

RESIDENCES  
107 INDIA STREET  
PORTLAND, MAINE



CONSULTANTS:  
STRUCTURAL: Structural Integrity  
77 Oak Street  
Portland, ME 04101  
207-774-4614

REVISIONS:

DATE: FEBRUARY 5, 2016  
PROJECT No.  
DRAWN BY: RRT  
CHECKED BY: RJS  
SCALE: AS NOTED

SHEET TITLE:  
INTERIOR ELEVATIONS

A4-2