



© 2016 RYAN SENATORE ARCHITECTURE

RESIDENCES
107 INDIA STREET
PORTLAND, MAINE



RYAN SENATORE
ARCHITECTURE
595 CONGRESS STREET
PORTLAND, MAINE 04101
207-747-5159
senatorearchitecture.com

CONSULTANTS:
STRUCTURAL:
Structural Integrity
77 Oak Street
Portland, ME 04101
207-774-4614

REVISIONS:

DATE: FEBRUARY 5, 2016

PROJECT No.

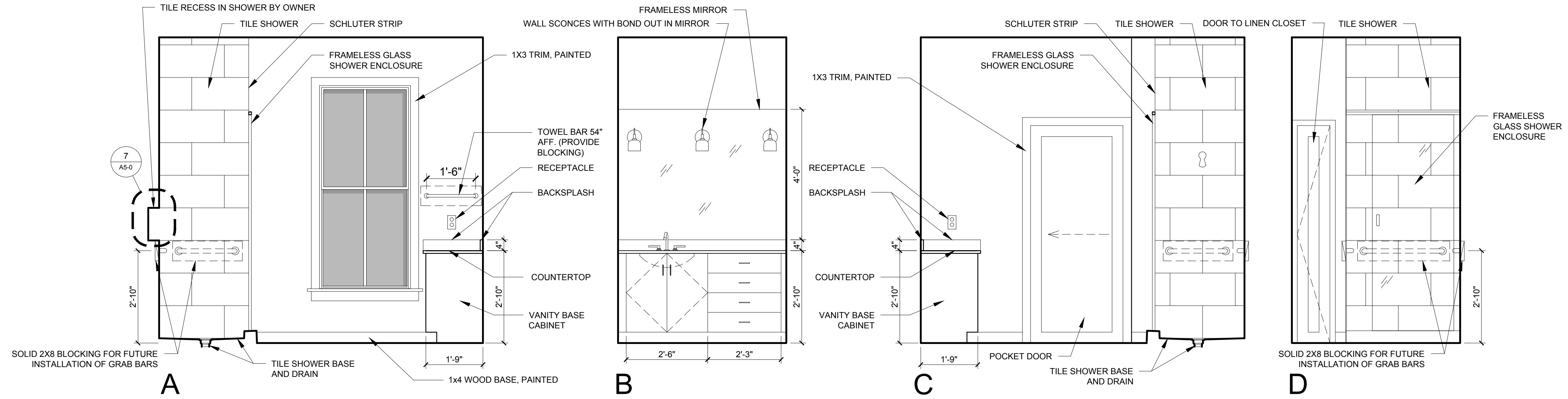
DRAWN BY: RRT

CHECKED BY: RJS

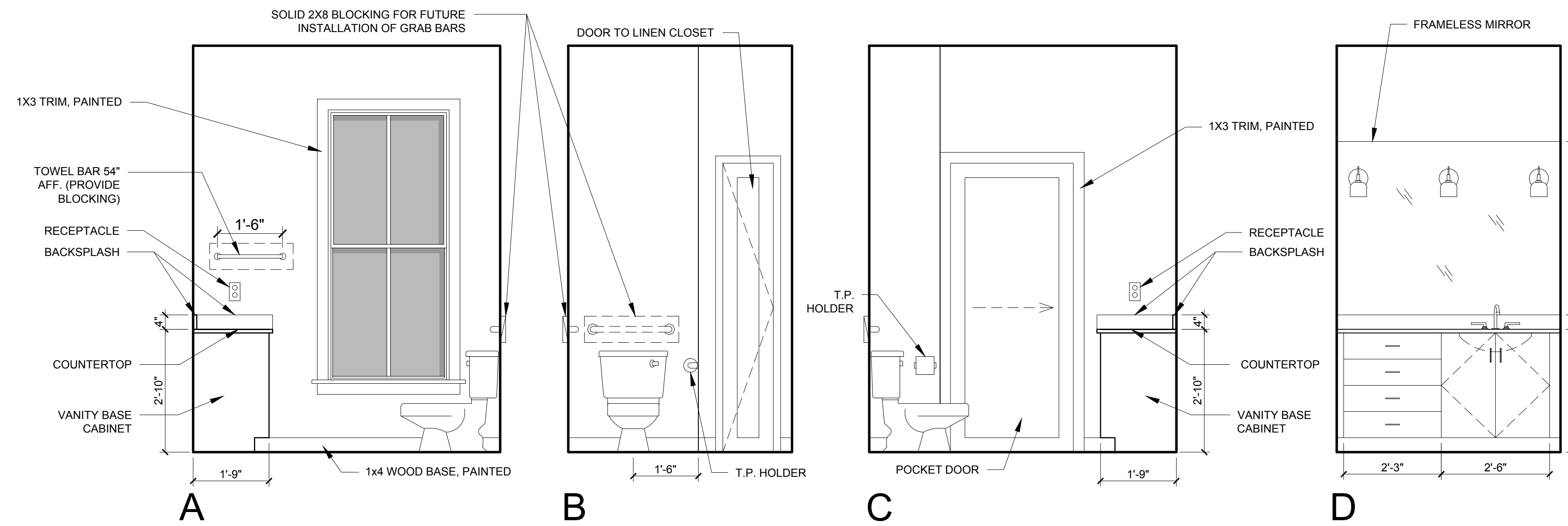
SCALE: AS NOTED

SHEET TITLE:
INTERIOR
ELEVATIONS

A4-0



1 BATHROOM INTERIOR ELEVATION
1/2" = 1'-0"



2 BATHROOM INTERIOR ELEVATION
1/2" = 1'-0"