



© 2016 RYAN SENATORE ARCHITECTURE

RESIDENCES
107 INDIA STREET
PORTLAND, MAINE



RYAN SENATORE
ARCHITECTURE
565 CONGRESS STREET
PORTLAND, MAINE 04101
207-747-5159
senatorearchitecture.com

CONSULTANTS:
STRUCTURAL:
Structural Integrity
77 Oak Street
Portland, ME 04101
207-774-4614

REVISIONS:

DATE: FEBRUARY 5, 2016

PROJECT No.

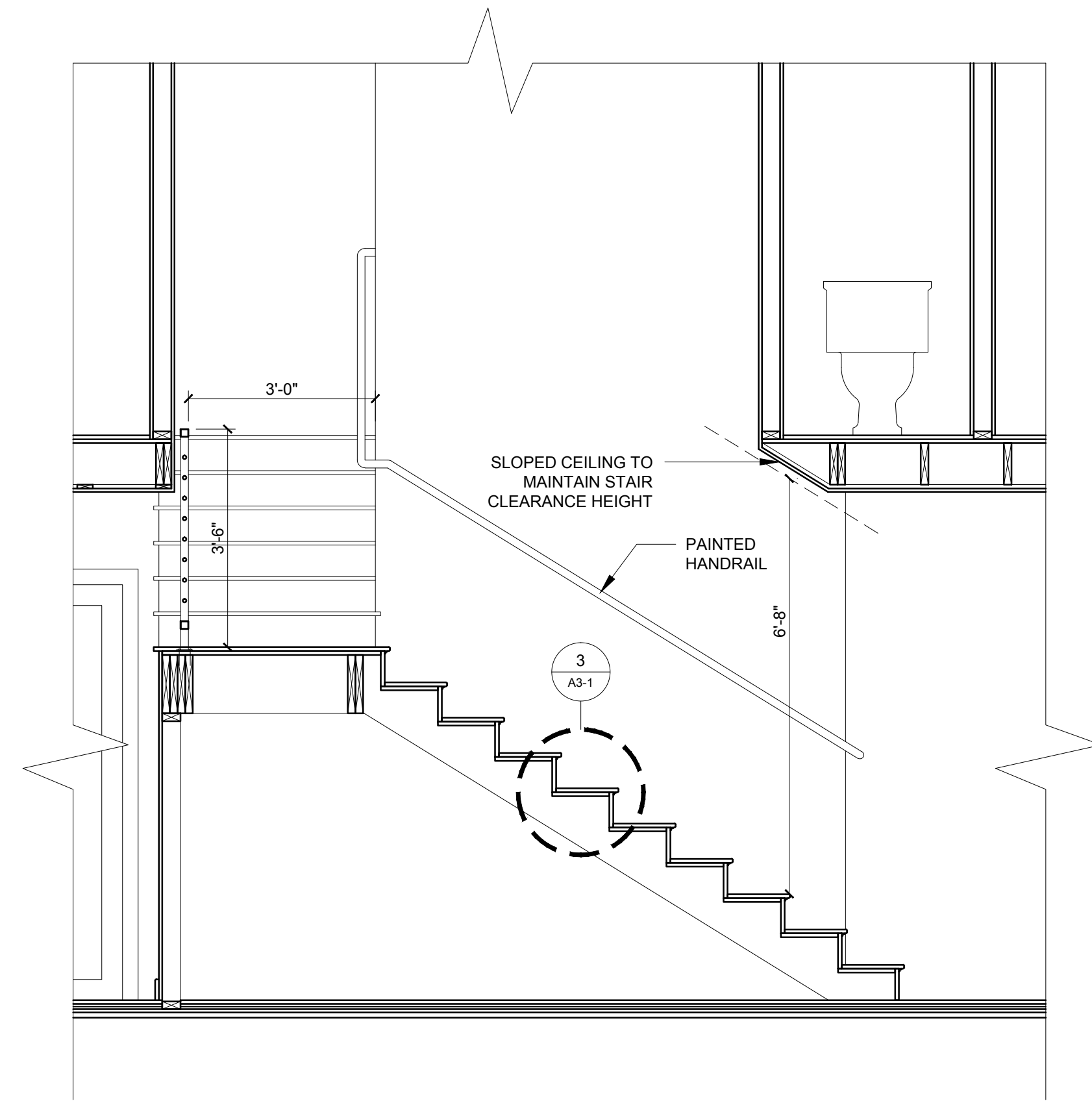
DRAWN BY: RRT

CHECKED BY: RJS

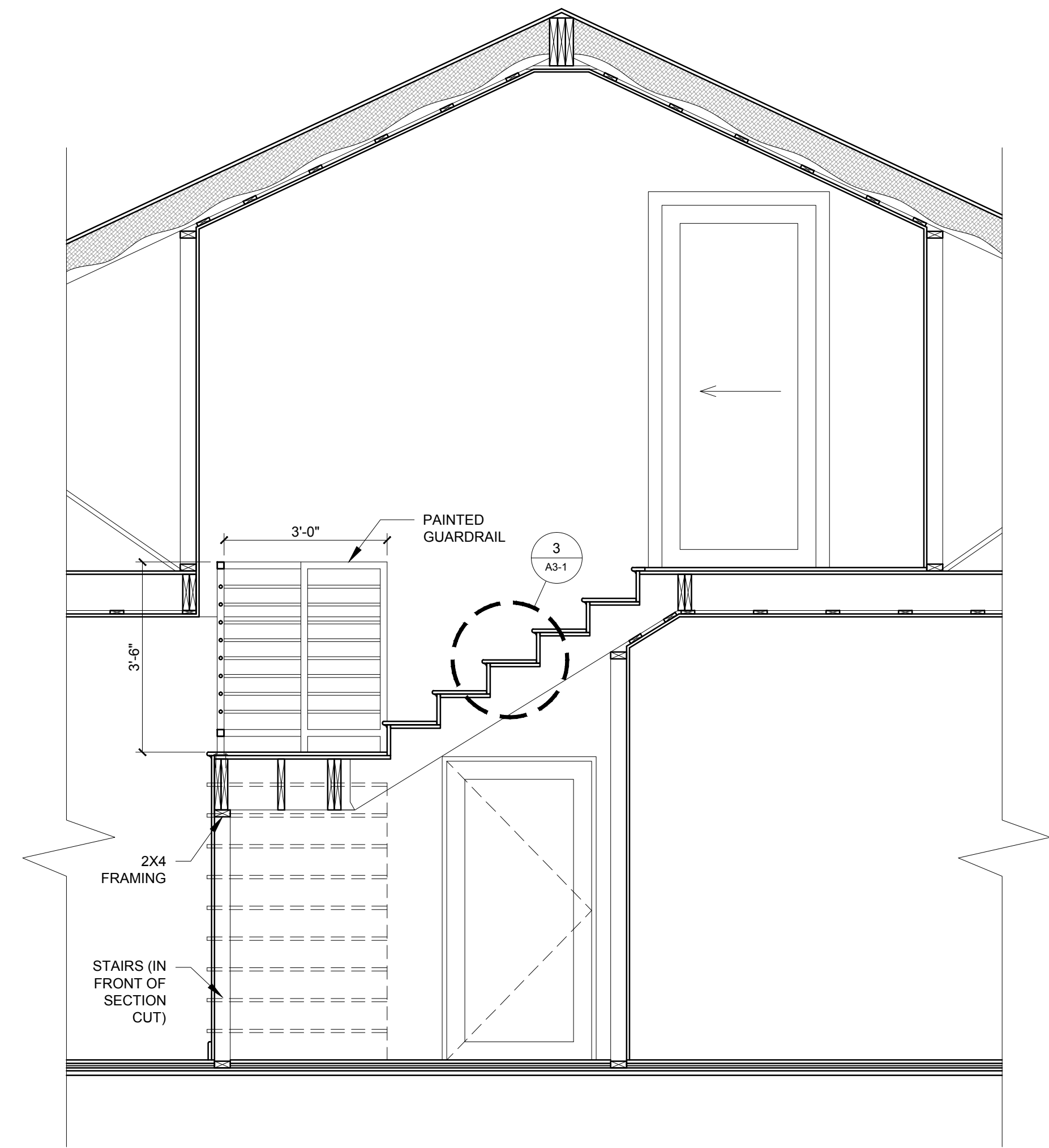
SCALE: AS NOTED

SHEET TITLE:
SECTION

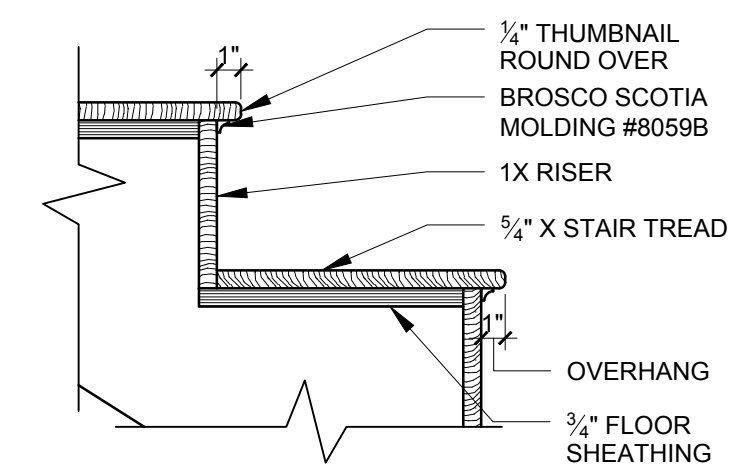
A3-1



2 UNIT 3 - INTERIOR STAIR SECTION
1/2" = 1'-0"



1 UNIT 3 - INTERIOR STAIR SECTION
1/2" = 1'-0"



3 UNIT 3 - INTERIOR STAIR DETAIL
1/2" = 1'-0"