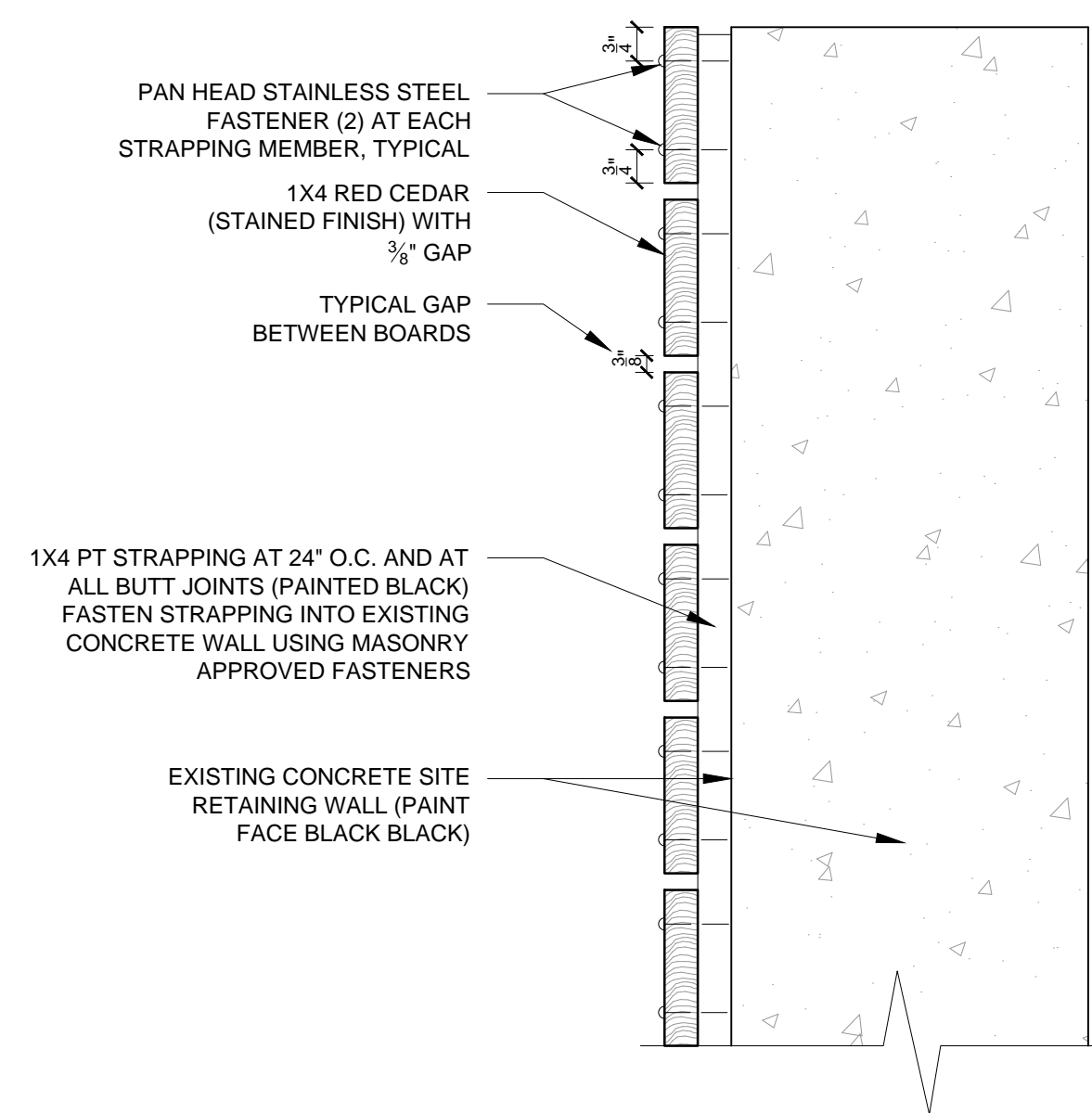
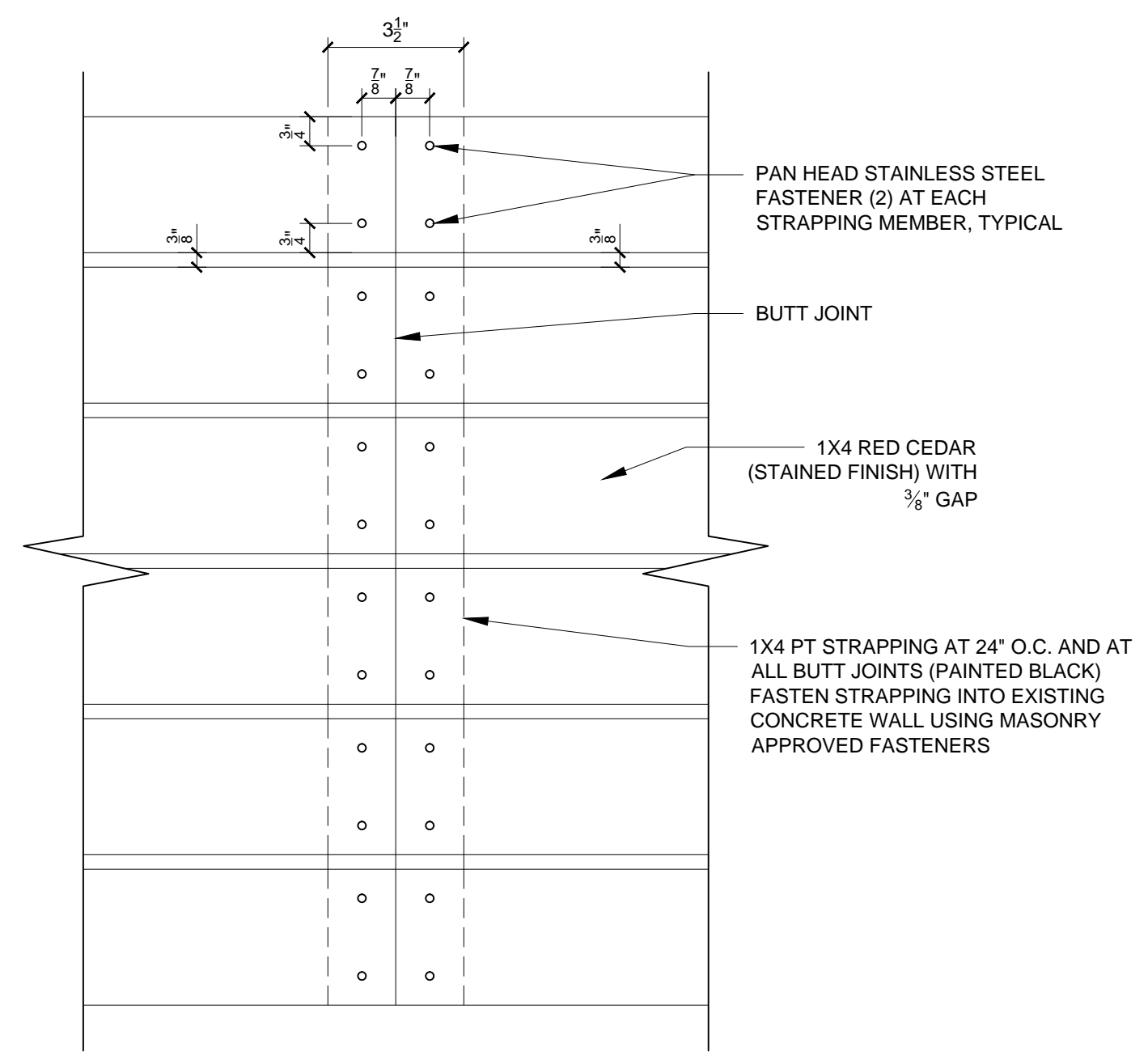


6 TYPICAL RAILING DETAILS
3/4" = 1'-0"

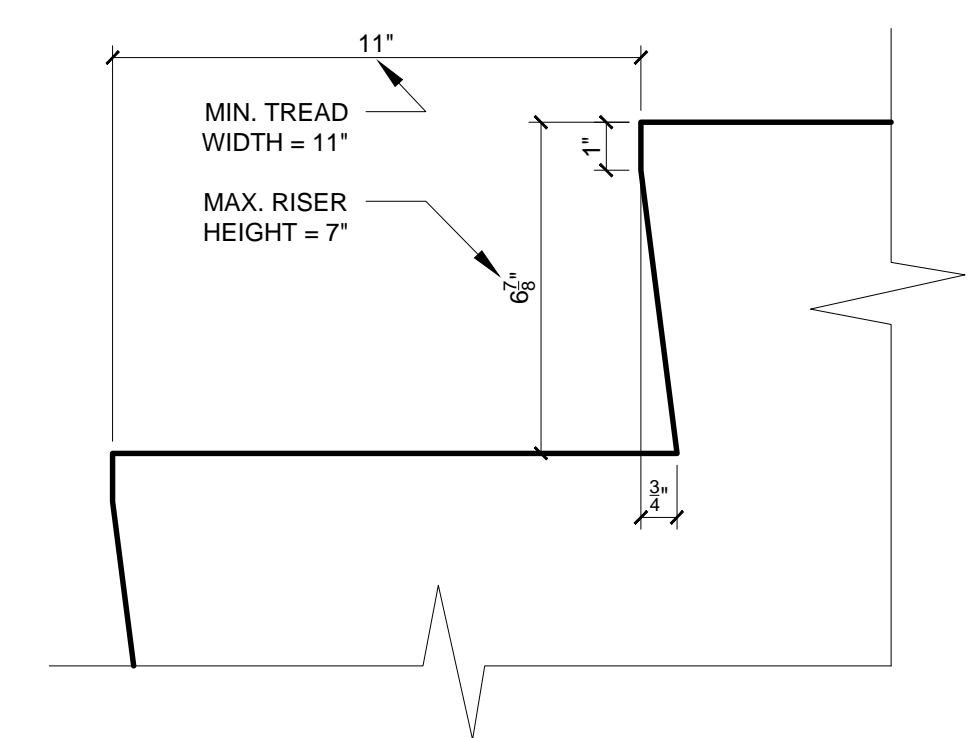
5 TYPICAL SECTION DETAIL OF HANDRAIL AT WALL
1 1/2" = 1'-0"



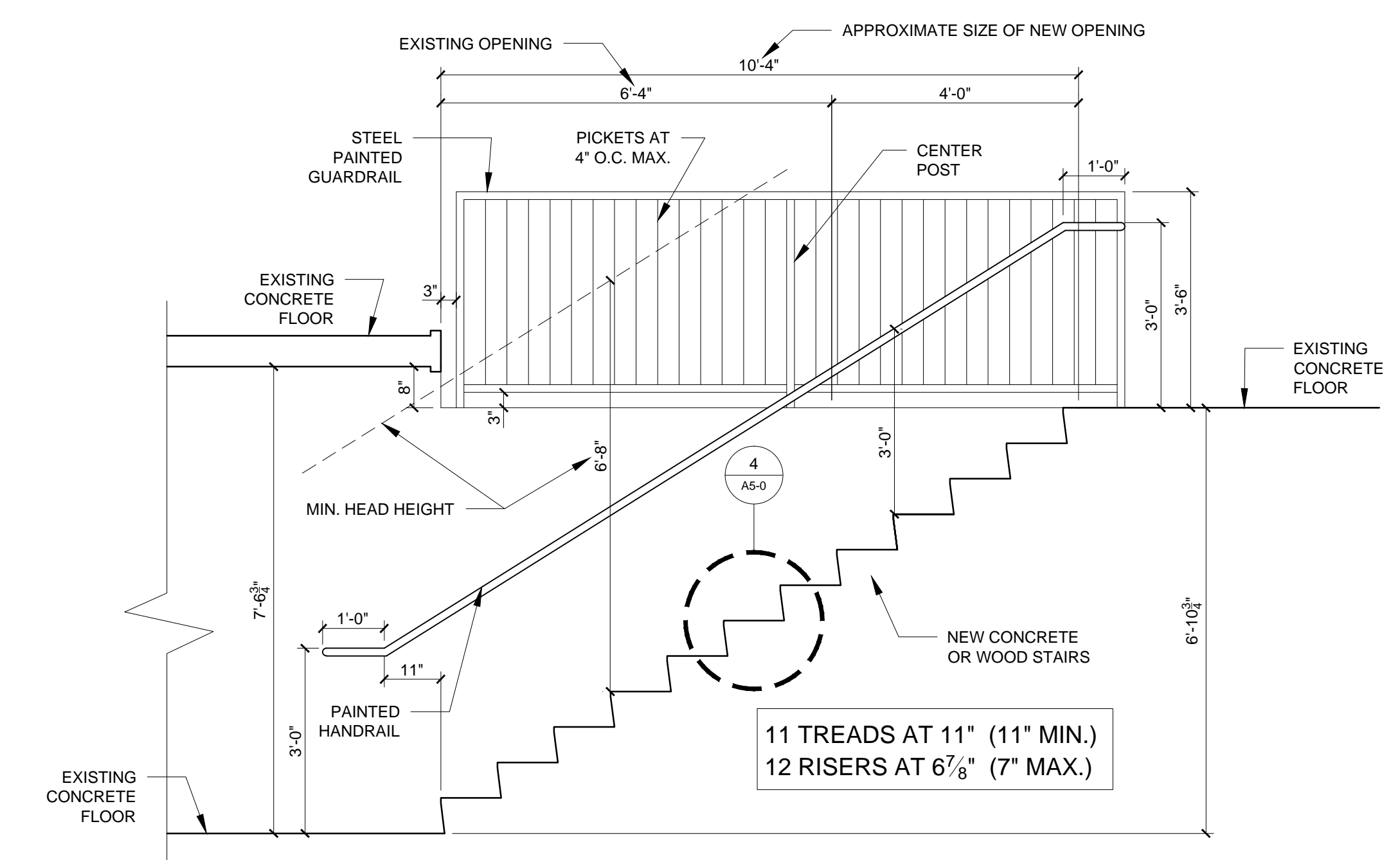
3 SECTION DETAIL AT SLAT WALL ASSEMBLY
3" = 1'-0"



2 ELEVATION DETAIL AT SLAT WALL ASSEMBLY
3" = 1'-0"



4 SECTION DETAIL AT STAIRS
3" = 1'-0"



1 STAIR SECTION TO BASEMENT
1/2" = 1'-0"

© 2016 RYAN SENATORE ARCHITECTURE

CLOUDPORT OFFICES
63 FEDERAL STREET
PORTLAND, MAINE

RSA
RYAN SENATORE ARCHITECTURE
565 CONGRESS STREET
PORTLAND, MAINE 04101
207-650-6414
senatorearchitecture.com

CONSULTANTS:

REVISIONS:

DATE: 29 MARCH 2016
PROJECT No. 1617
DRAWN BY: RRT
CHECKED BY: RJS
SCALE: AS NOTED

SHEET TITLE:
DETAILS

A5-0